



US00D759208S

(12) **United States Design Patent**
Funari

(10) **Patent No.:** **US D759,208 S**
(45) **Date of Patent:** **** Jun. 14, 2016**

- (54) **DUAL FLUSH HANDLE SLEEVE**
- (71) Applicant: **Zurn Industries, LLC**, Milwaukee, WI (US)
- (72) Inventor: **Michael A. Funari**, Apex, NC (US)
- (73) Assignee: **Zurn Industries, LLC**, Milwaukee, WI (US)
- (**) Term: **14 Years**
- (21) Appl. No.: **29/517,428**
- (22) Filed: **Feb. 12, 2015**
- (51) **LOC (10) Cl.** **23-01**
- (52) **U.S. Cl.**
USPC **D23/252**; D23/249
- (58) **Field of Classification Search**
USPC D23/309, 238-243, 249-250, 252, 254
CPC . F16K 31/3855; F16K 31/602; F16K 31/605;
F16K 31/607; E03D 3/10
See application file for complete search history.

(56) **References Cited**

U.S. PATENT DOCUMENTS

3,260,544	A *	7/1966	Hathaway, Jr.	F16K 31/602 251/291
4,134,570	A	1/1979	Walker	
D263,163	S *	2/1982	Olde	D23/262
5,026,021	A *	6/1991	Pino	F16K 21/10 251/114
D341,188	S *	11/1993	Burgy	D23/248
D397,413	S *	8/1998	Sapp	D23/262
D434,110	S *	11/2000	Kim	D23/236
D439,637	S *	3/2001	Davies	D23/262
6,923,424	B2 *	8/2005	Maercovich	F16K 31/3855 251/129.03
D570,960	S *	6/2008	Semchuck	D23/238
D721,791	S *	1/2015	Bahler	D23/252
9,057,454	B2 *	6/2015	Funari	E03D 3/06

* cited by examiner

Primary Examiner — Robert Delehanty
(74) *Attorney, Agent, or Firm* — Quarles & Brady LLP

(57) **CLAIM**
The ornamental design for a dual flush handle sleeve, as shown and described.

DESCRIPTION

FIG. 1 is a perspective view of a dual flush handle sleeve showing my new design in accordance with a first embodiment of the present invention;
 FIG. 2 is a left side elevational view thereof;
 FIG. 3 is a front elevational view thereof;
 FIG. 4 is a top view thereof;
 FIG. 5 is a bottom view thereof;
 FIG. 6 is a cross-sectional view thereof taken along lines 6-6 shown in FIG. 4;
 FIG. 7 is a perspective view thereof in a condition of use;
 FIG. 8 is a perspective view of a dual flush handle sleeve showing my new design in accordance with a second embodiment of the present invention;
 FIG. 9 is a left side elevational view thereof;
 FIG. 10 is a front elevational view thereof;
 FIG. 11 is a top view thereof;
 FIG. 12 is a bottom view thereof; and
 FIG. 13 is a cross-sectional view thereof taken along lines 13-13 shown in FIG. 11.

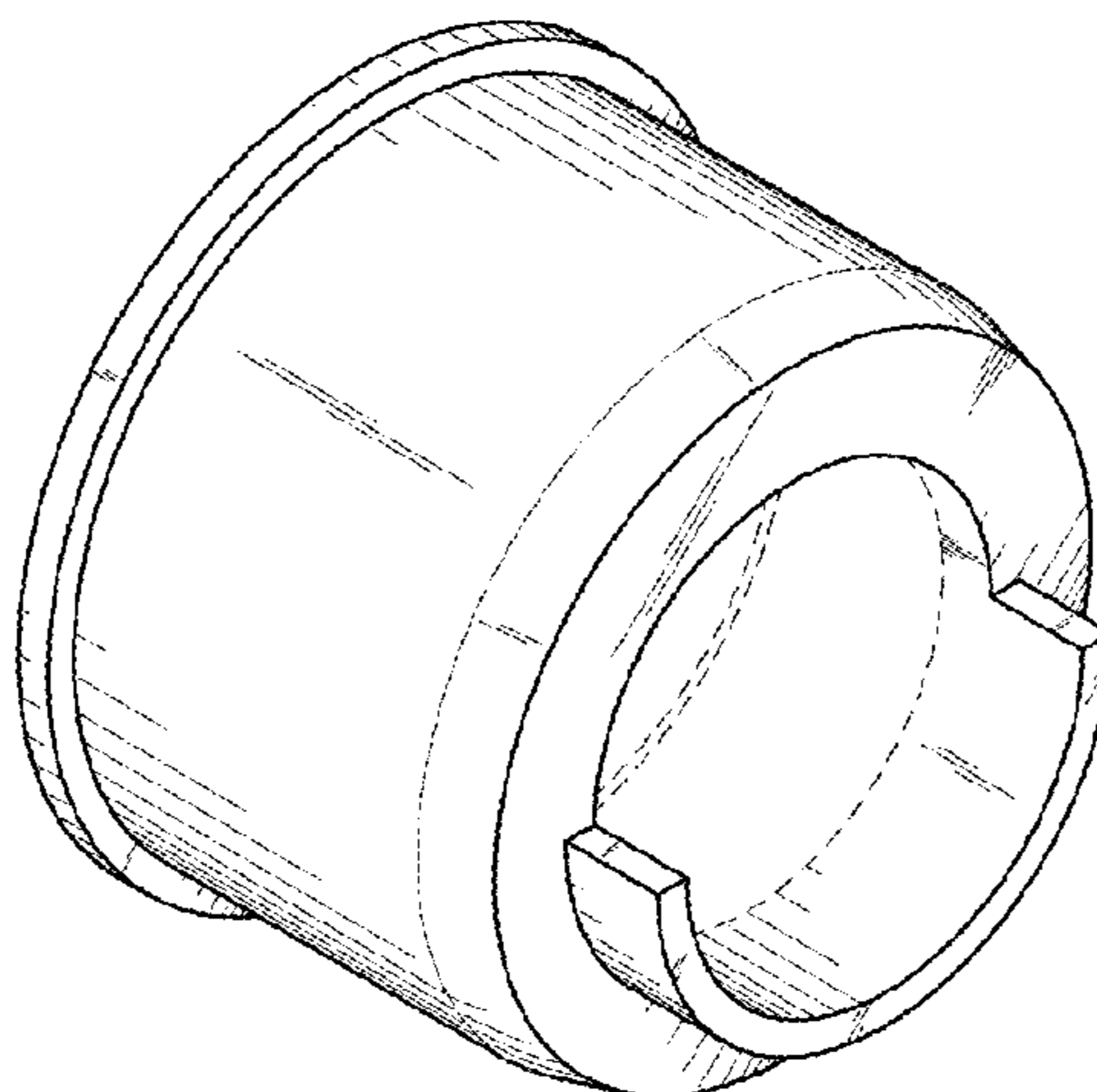
A right side elevational view of the dual flush handle sleeve for each embodiment is omitted as it is symmetric in appearance to the respective left side elevational view of FIG. 2 or FIG. 9.

Rear elevational views are omitted because they are plain and unornamental, and form no part of the subject matter of the claimed design.

The broken lines in the drawings are included for the purpose of illustrating environment only and form no part of the claimed design.

The dashed-dotted line showings of FIGS. 8 and 13 illustrate boundaries between the claimed design and environmental features.

1 Claim, 7 Drawing Sheets



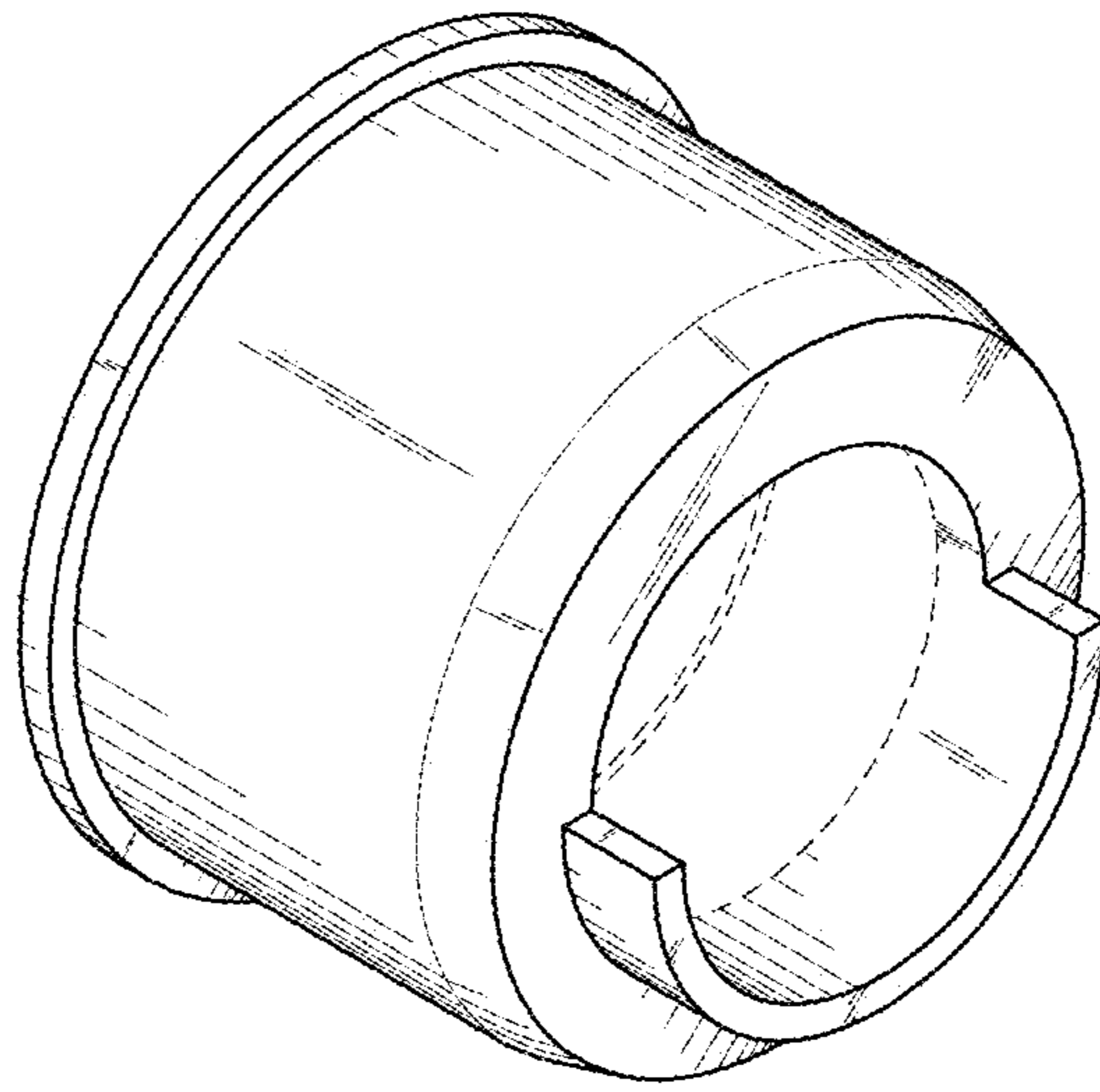


FIG. 1

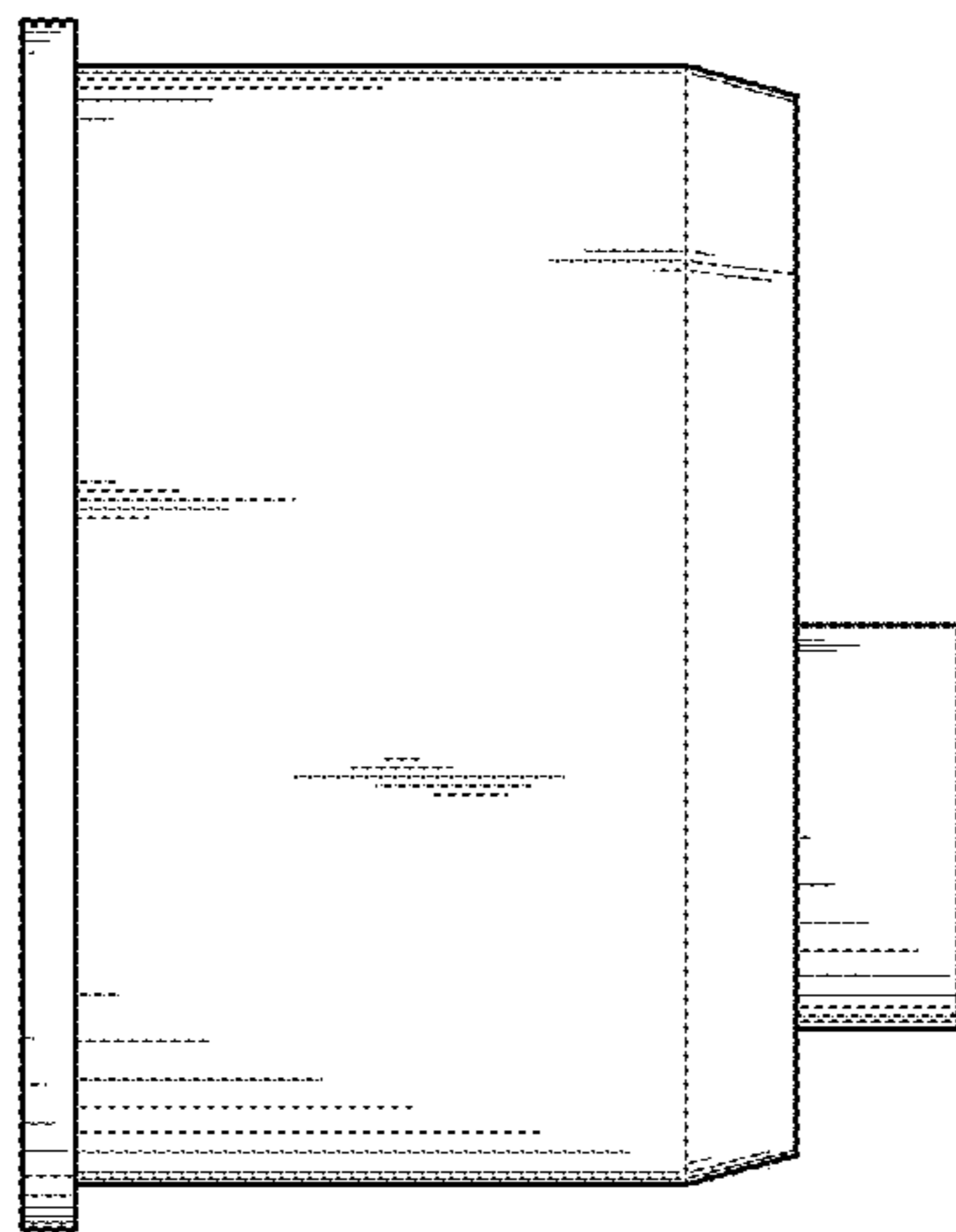


FIG. 2

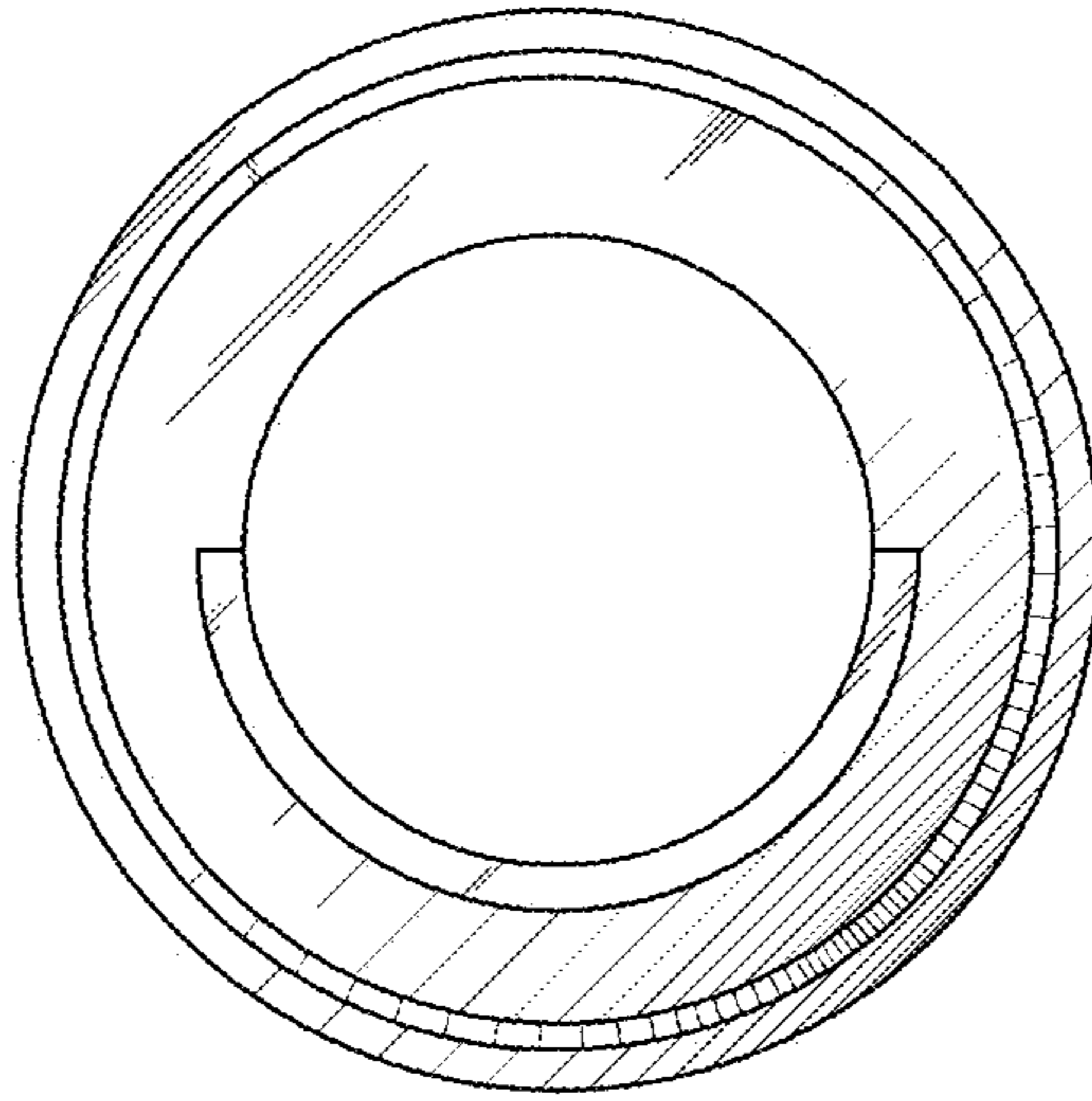


FIG. 3

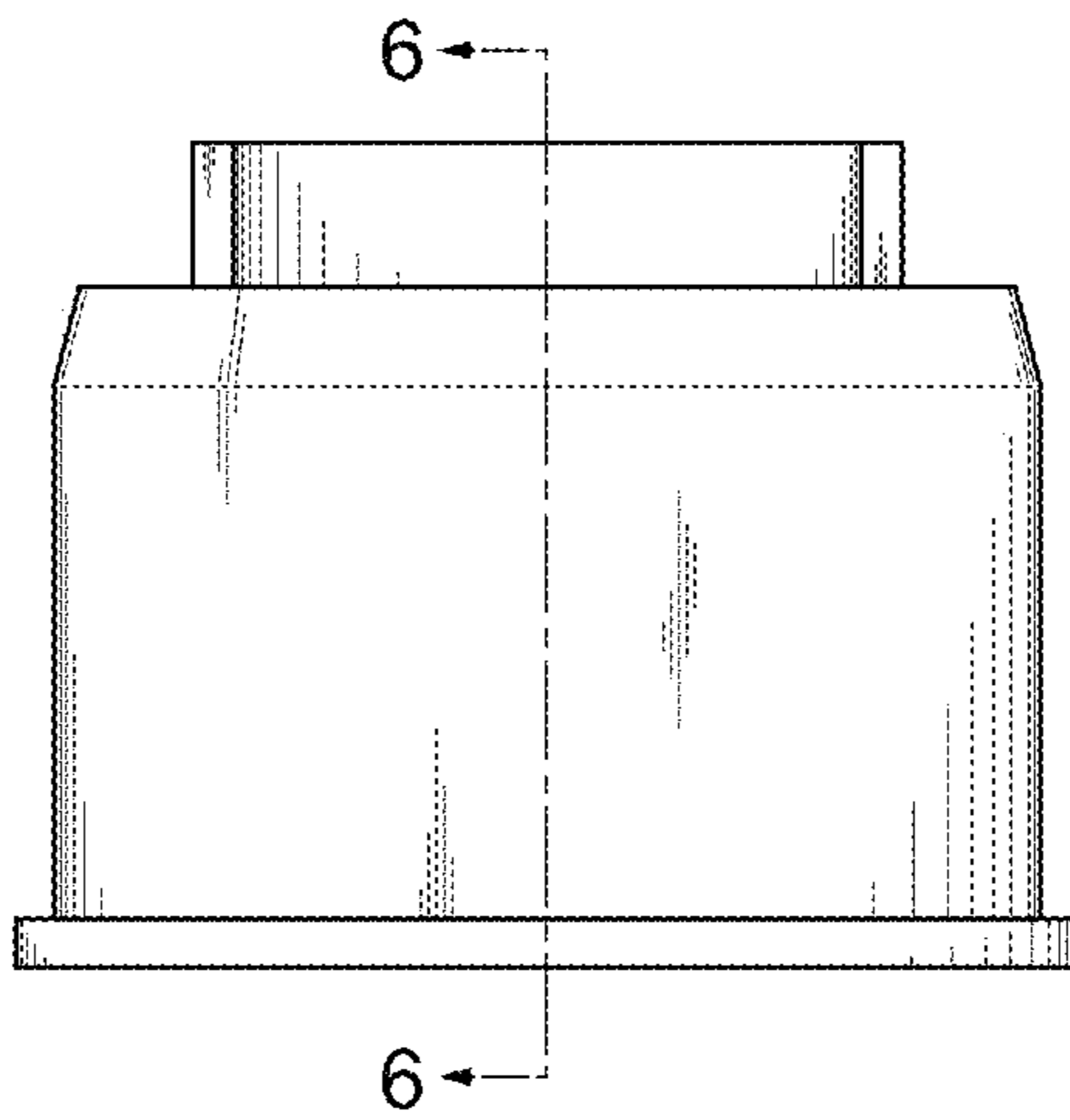


FIG. 4

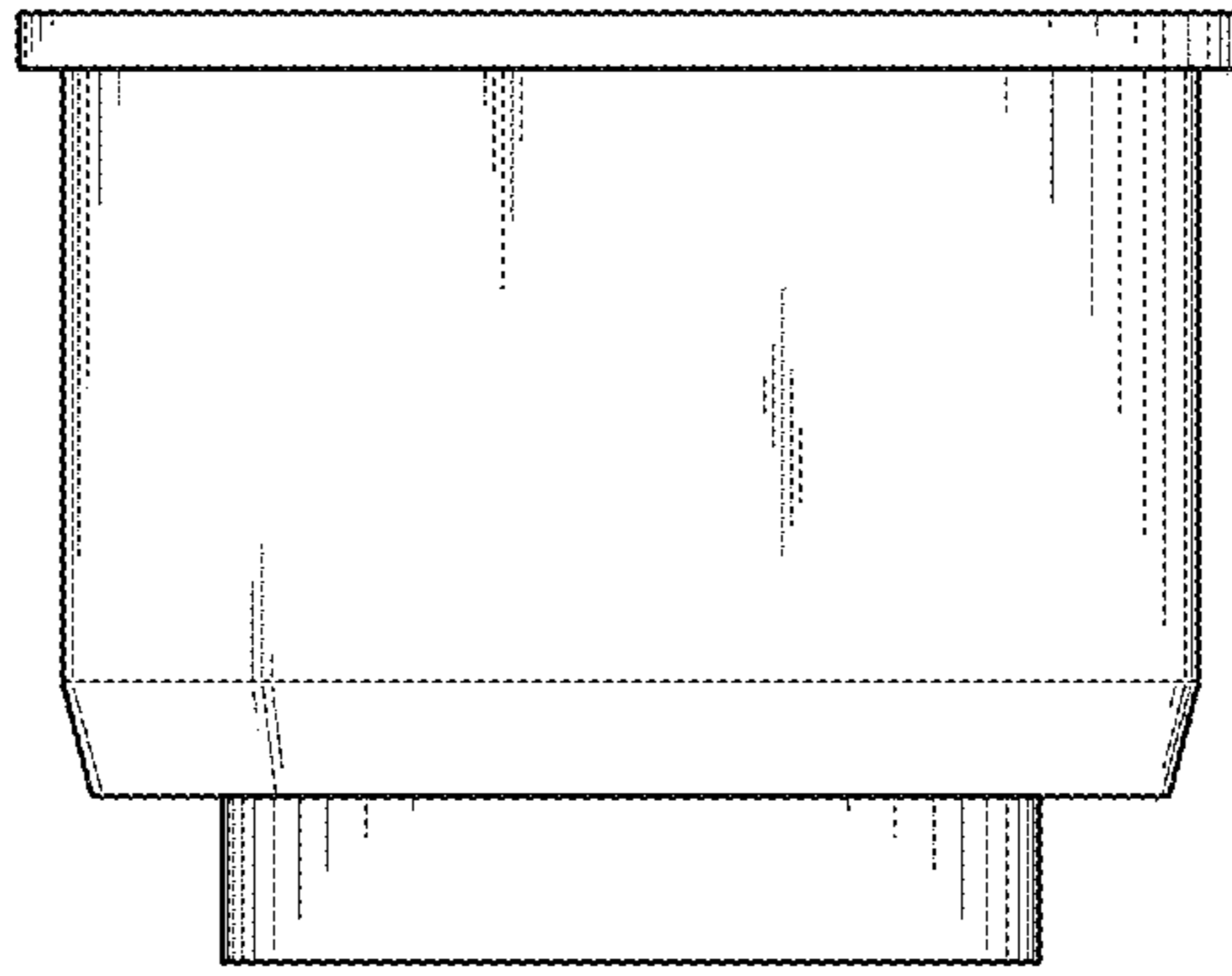


FIG. 5

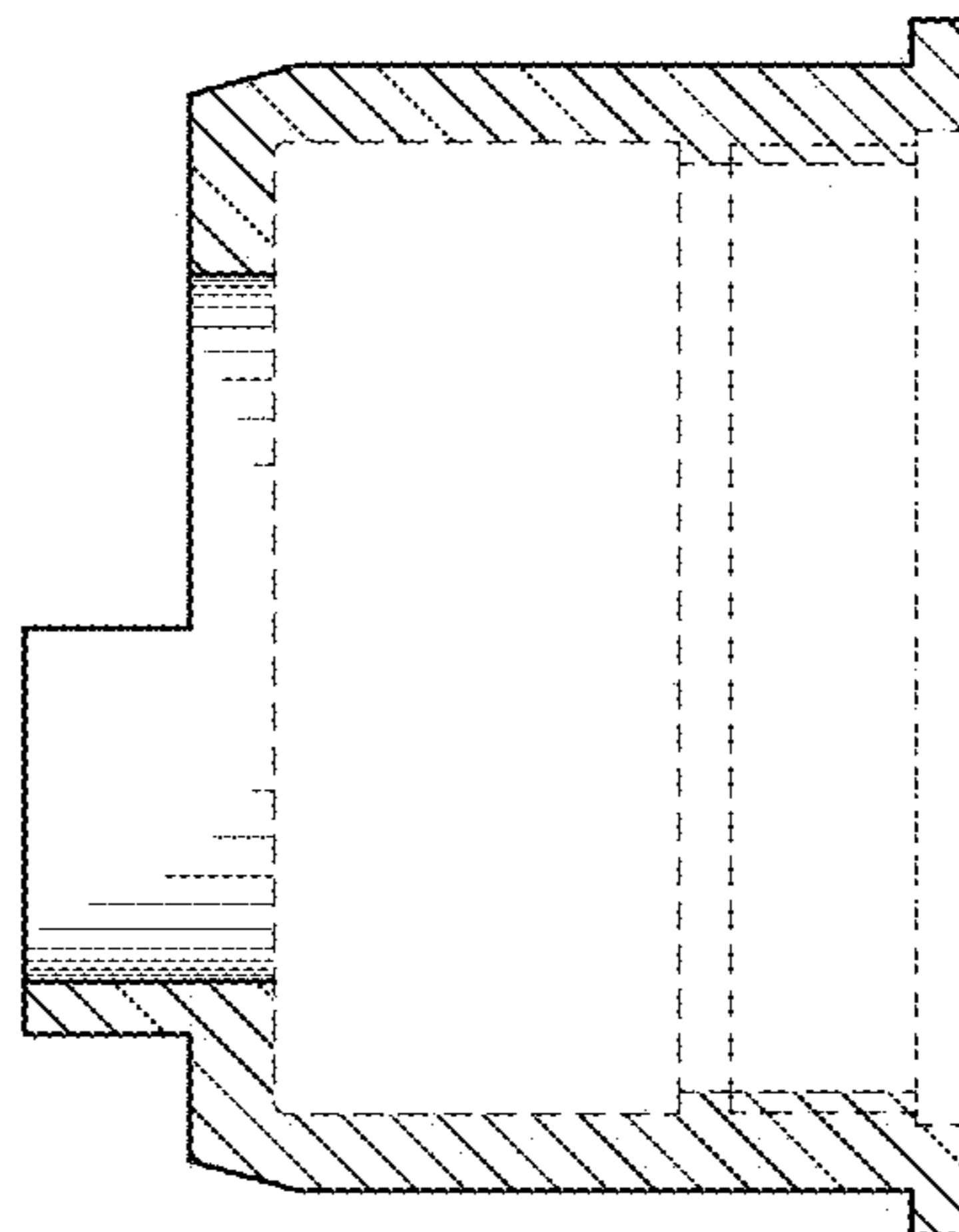


FIG. 6

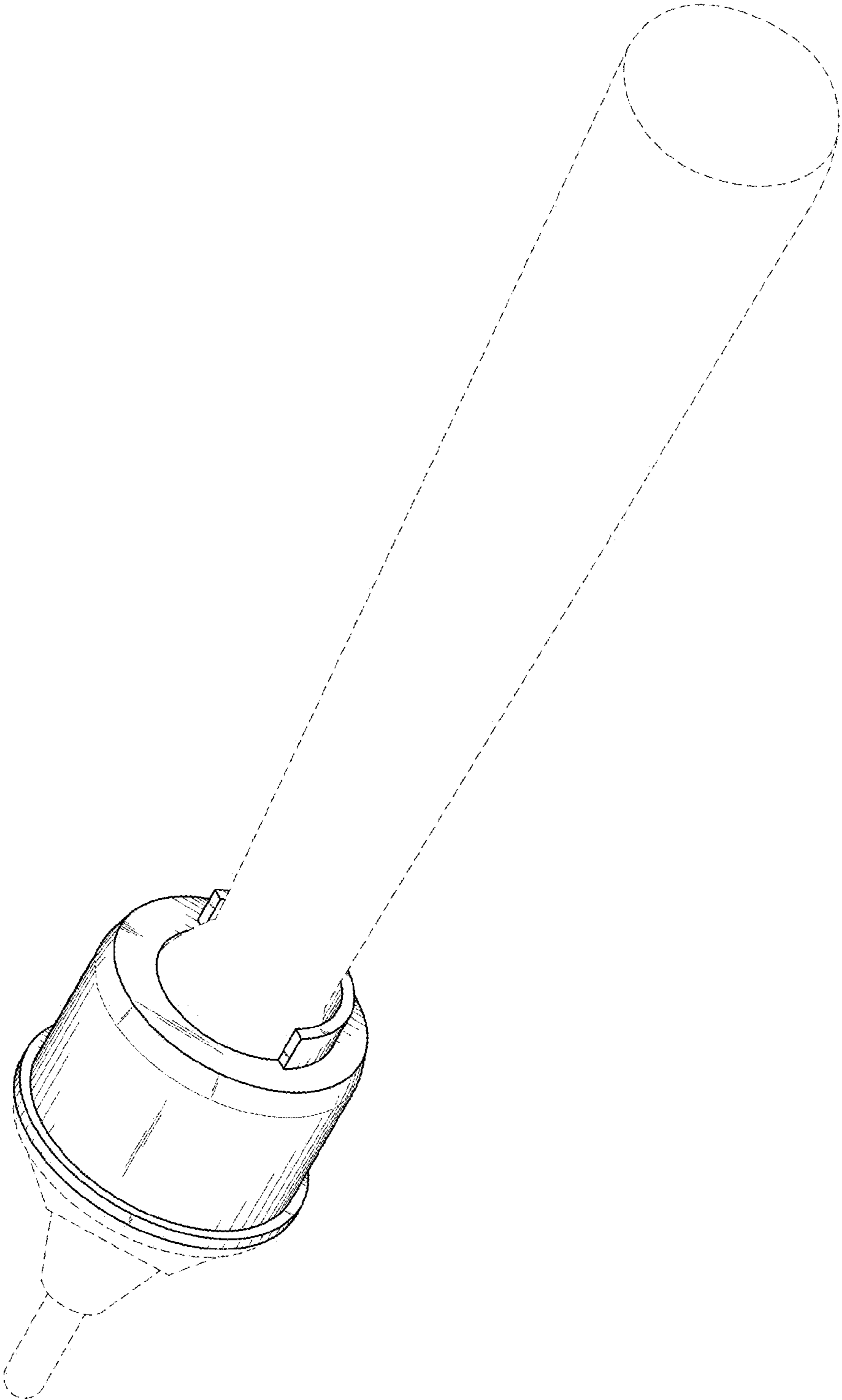


FIG. 7

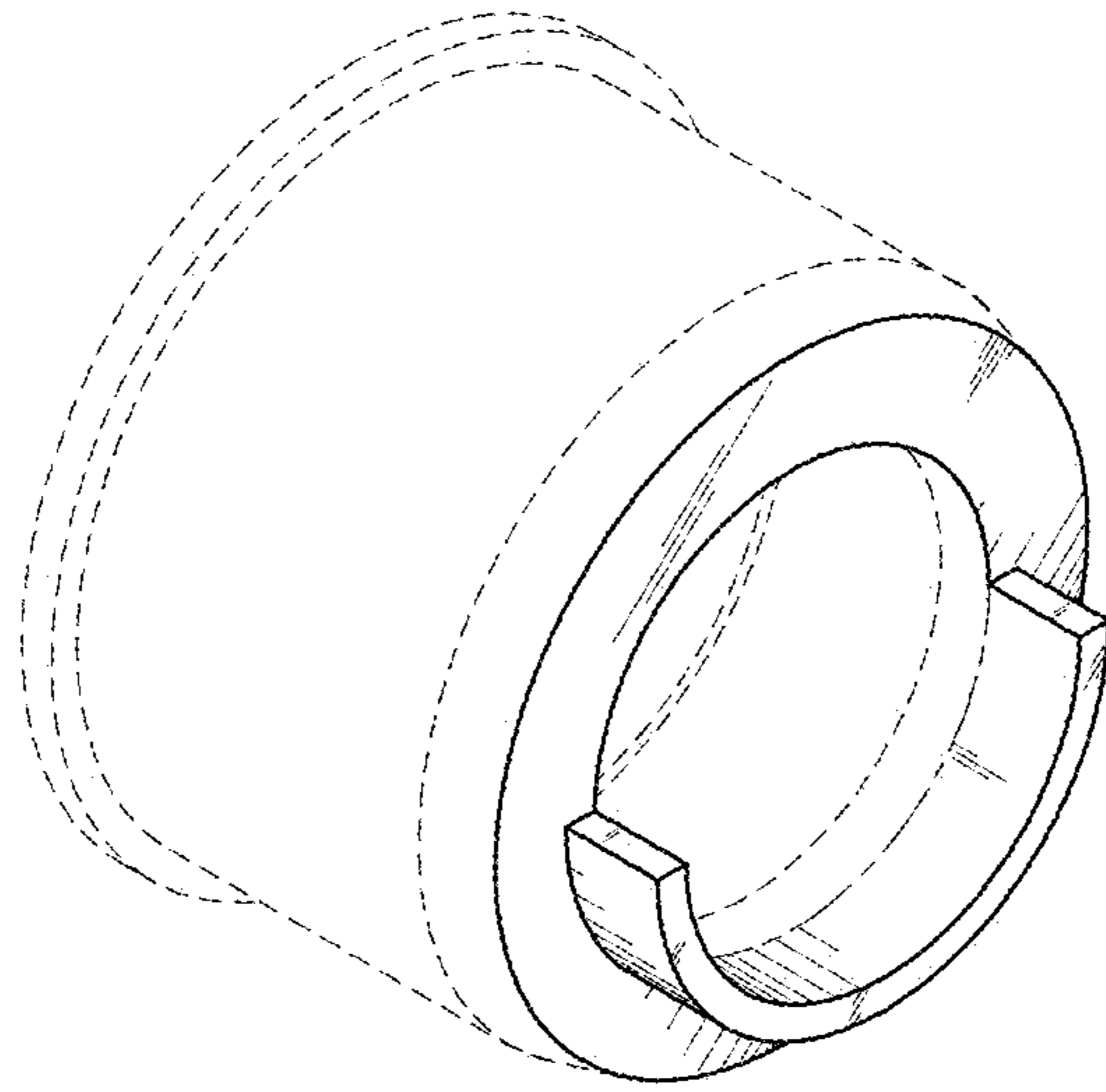


FIG. 8

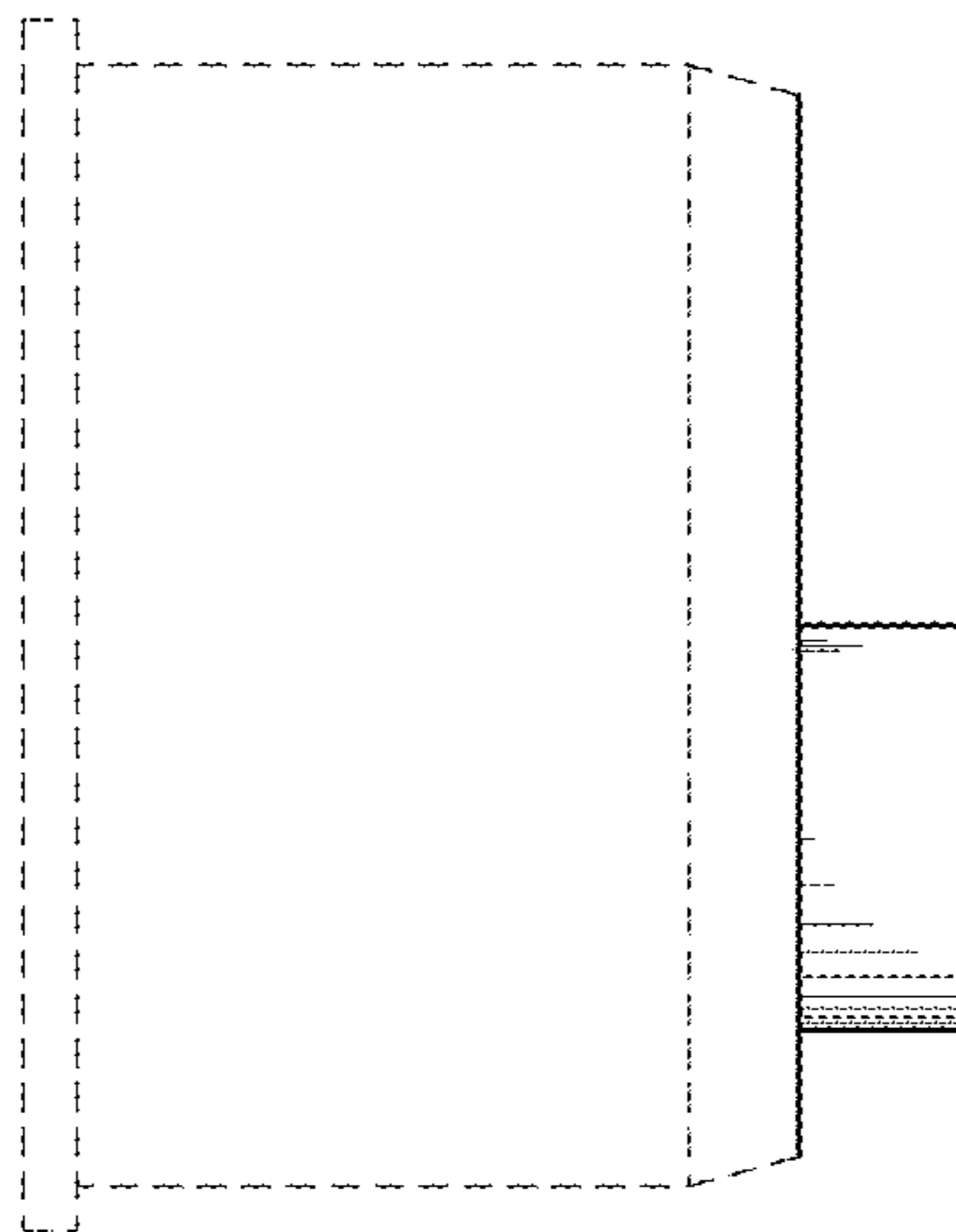


FIG. 9

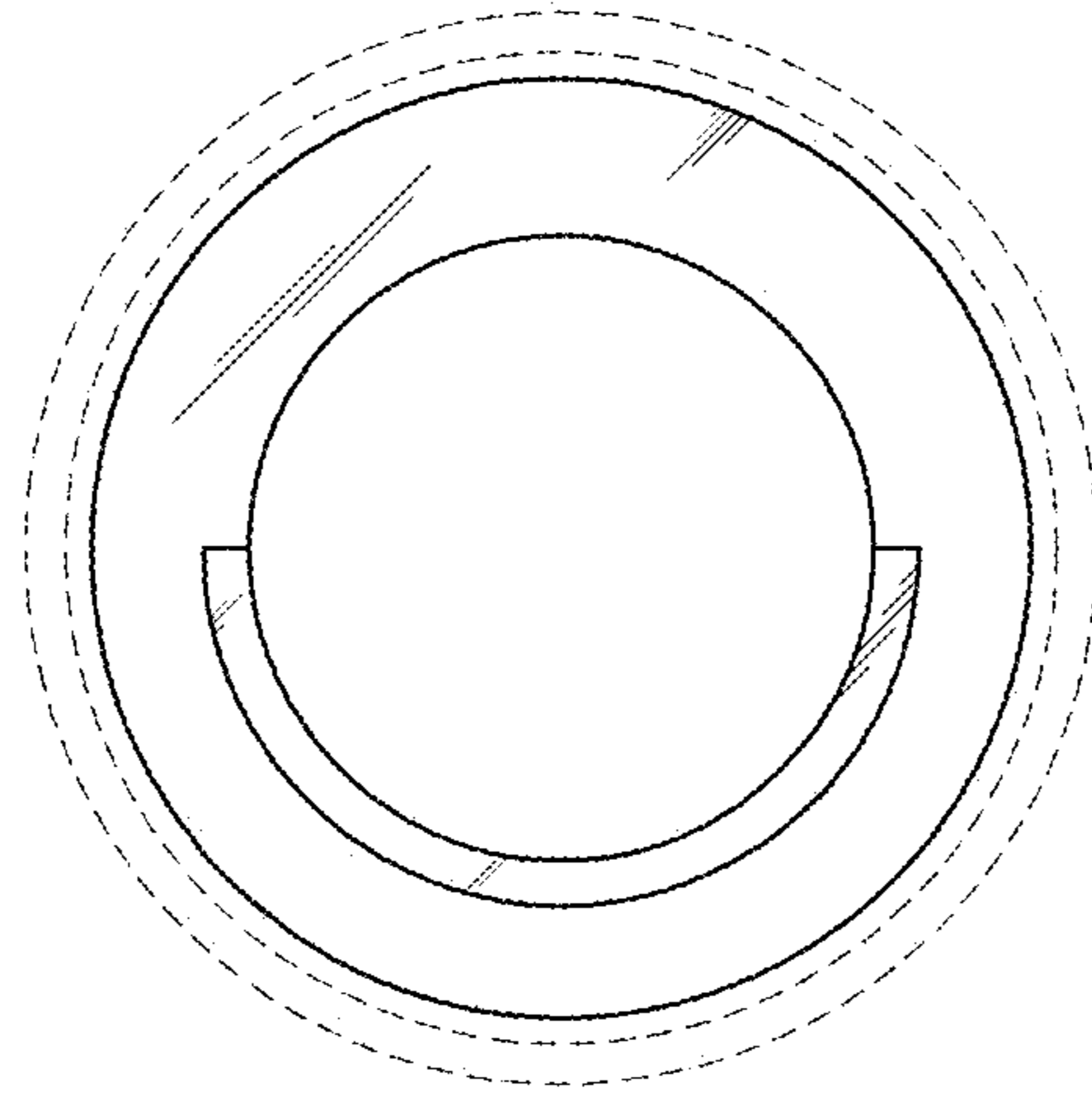


FIG. 10

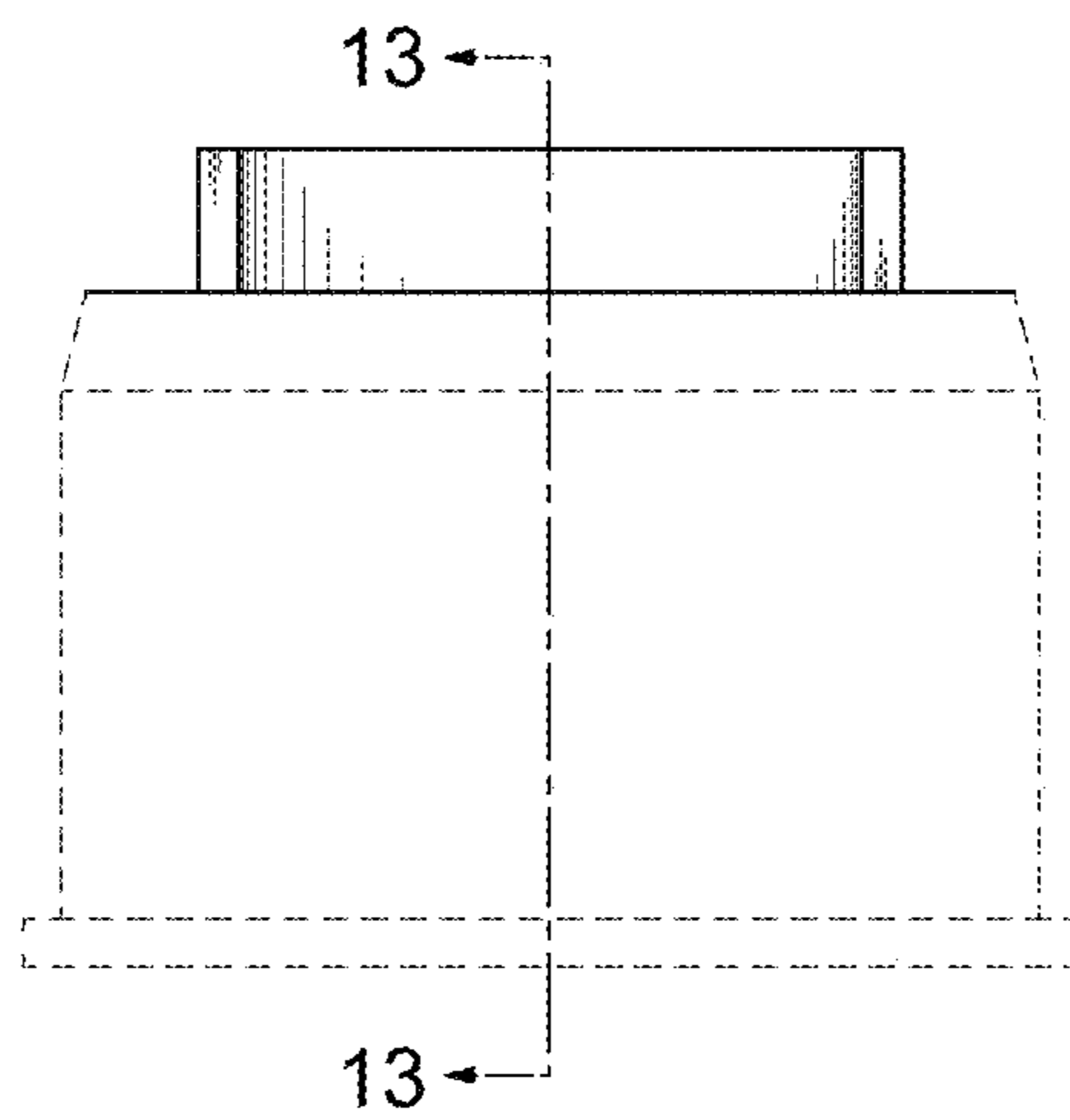


FIG. 11

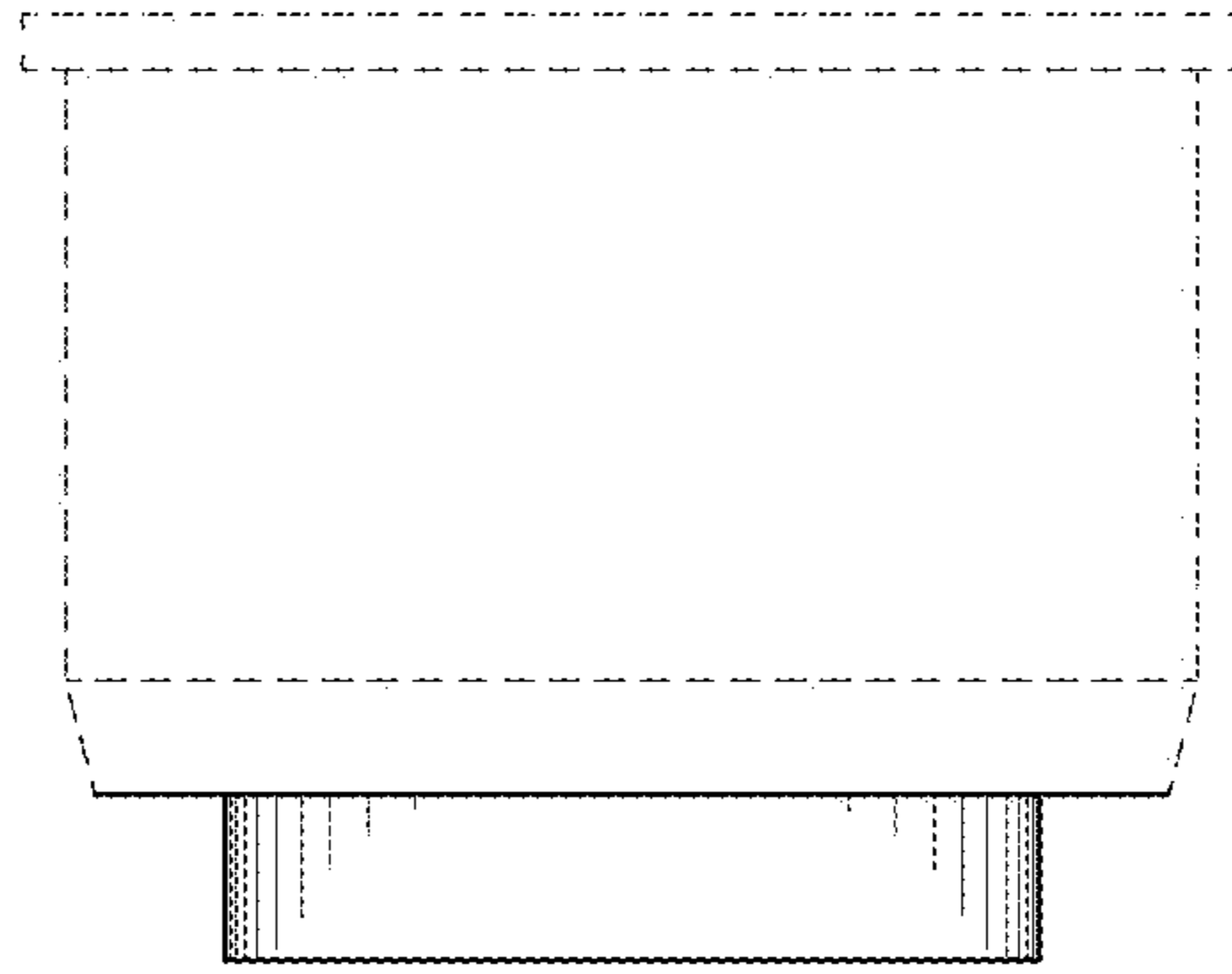


FIG. 12

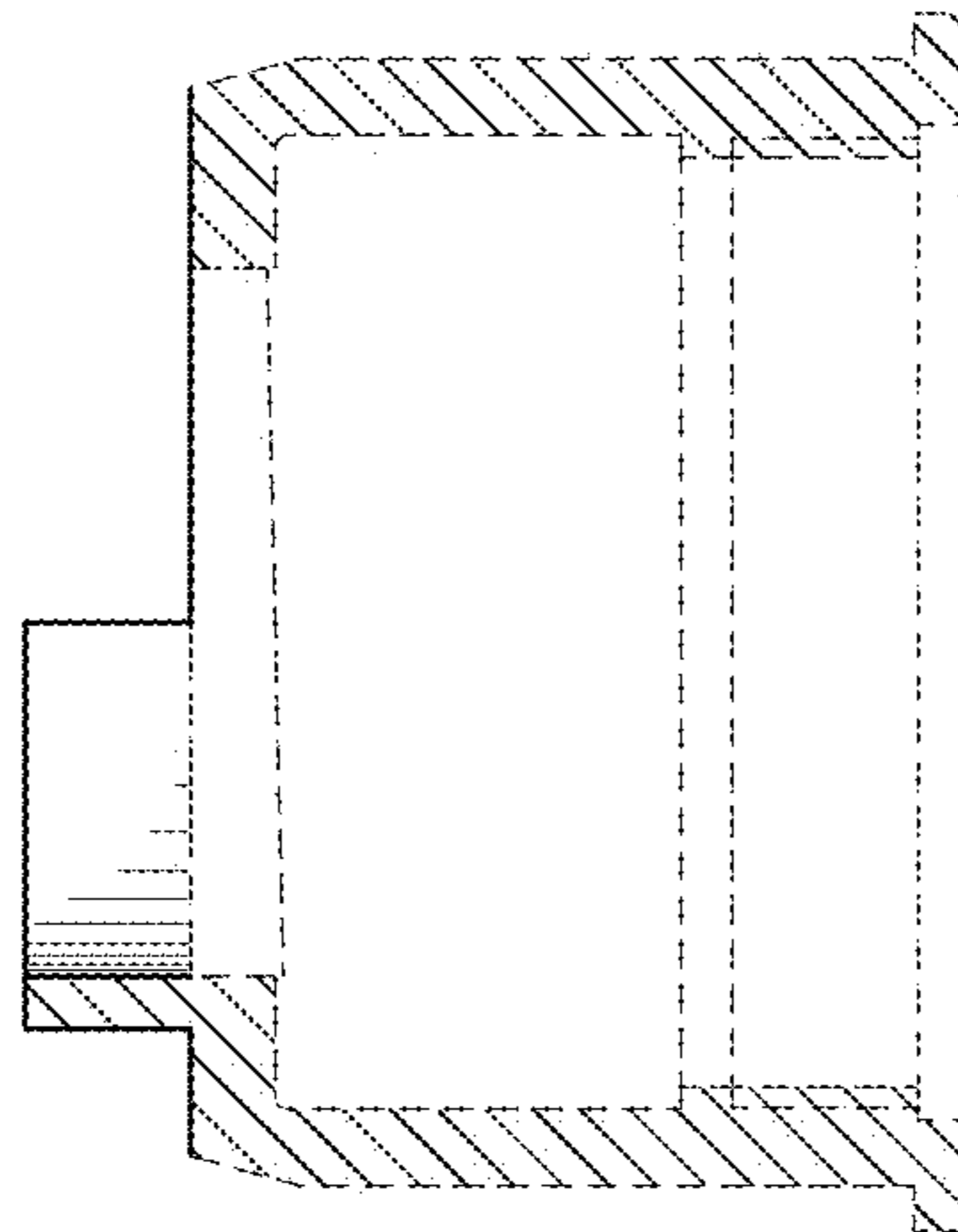


FIG. 13