



US00D759207S

(12) **United States Design Patent**
Gilbert et al.

(10) **Patent No.:** **US D759,207 S**
(45) **Date of Patent:** **** Jun. 14, 2016**

- (54) **FAUCET HANDLE**
- (71) Applicant: **Moen Incorporated**, North Olmsted, OH (US)
- (72) Inventors: **Christopher Jon Gilbert**, Moreland Hills, OH (US); **Jennifer P. Sedwick**, Lakewood, OH (US)
- (73) Assignee: **Moen Incorporated**, North Olmsted, OH (US)
- (**) Term: **14 Years**
- (21) Appl. No.: **29/510,600**
- (22) Filed: **Dec. 1, 2014**
- (51) **LOC (10) Cl.** **23-01**
- (52) **U.S. Cl.**
USPC **D23/252**
- (58) **Field of Classification Search**
USPC D23/259-250, 29-250
CPC E03C 1/04; E03C 1/0401; E03C 1/0402;
E03C 1/0404; F16K 31/602; F16K 31/605;
F16K 31/607
See application file for complete search history.

(56) **References Cited**
U.S. PATENT DOCUMENTS

638,611 A	12/1899	Totham
1,505,279 A	8/1924	Mueller et al.
1,619,234 A	3/1927	Beebe
D76,904 S	11/1928	Smith
D76,995 S	11/1928	Fraser
2,096,602 A	10/1937	Weingarten
D276,544 S	11/1984	Piesco
4,998,321 A	3/1991	Gaffney et al.
D318,714 S	7/1991	Spangler
D320,335 S	10/1991	Bengtson
D324,726 S	3/1992	Bonnell
D325,425 S	4/1992	Bengtson

D325,958 S	5/1992	Stairs, Jr. et al.
D327,531 S	6/1992	Ko
D332,826 S	1/1993	Rosenbaum
D340,763 S	10/1993	Bonnell
D363,975 S	11/1995	Doughty et al.
D375,542 S	11/1996	Doughty et al.
D381,403 S	7/1997	Doughty et al.
D382,330 S	8/1997	Doughty et al.
5,673,724 A	10/1997	Abel
D385,952 S	11/1997	Hundley et al.
D388,864 S	1/1998	Fabian
D404,802 S	1/1999	Delker
D405,163 S	2/1999	Doughty et al.
D405,508 S	2/1999	Doughty et al.
D405,509 S	2/1999	Doughty et al.
D407,466 S	3/1999	Hundley et al.
D418,205 S	12/1999	Hyde et al.

(Continued)

Primary Examiner — Robert Delehanty

(74) *Attorney, Agent, or Firm* — Calfee, Halter & Griswold LLP

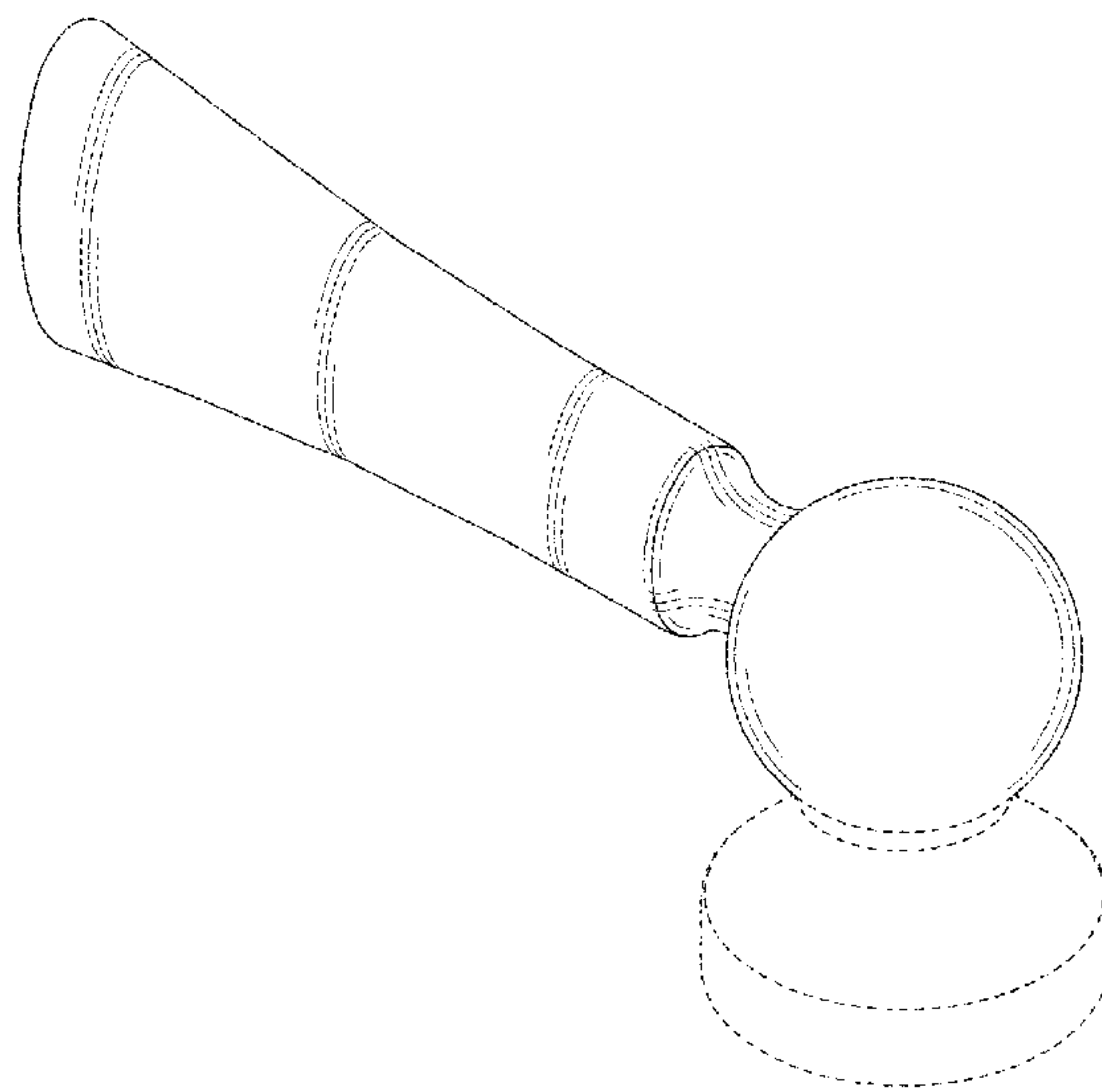
(57) **CLAIM**

The ornamental design for a faucet handle, as shown and described.

DESCRIPTION

FIG. 1 is a perspective view of a faucet handle of the new design;
 FIG. 2 is a front elevational view of the faucet handle of FIG. 1, the rear elevational view being a mirror image thereof;
 FIG. 3 is a left side elevational view of the faucet handle of FIG. 1;
 FIG. 4 is a right side elevational view of the faucet handle of FIG. 1;
 FIG. 5 is a top plan view of the faucet handle of FIG. 1; and,
 FIG. 6 is a bottom plan view of the faucet handle of FIG. 1.
 The portions of the Figures shown in broken lines are not part of the claimed design and are for illustration only.

1 Claim, 3 Drawing Sheets



(56)

References Cited

U.S. PATENT DOCUMENTS

D433,733 S	11/2000	Lord	
6,345,643 B1	2/2002	Ko	
D458,344 S	6/2002	Mullenmeister	
D458,347 S	6/2002	Mullenmeister	
D465,268 S	11/2002	Mullenmeister	
D469,854 S *	2/2003	Ouyoung	D23/241
D475,766 S	6/2003	Tolosa	
D475,767 S	6/2003	Yegyayan et al.	
D482,757 S	11/2003	Blomstrom	
D490,501 S	5/2004	Ouyoung	
D491,636 S	6/2004	Shieh	
D496,434 S	9/2004	Spangler	
D500,124 S	12/2004	Graves et al.	
D506,810 S	6/2005	Spangler	
D507,329 S	7/2005	Zhao	
D508,110 S	8/2005	Spangler	
D512,124 S	11/2005	Kulig et al.	
D512,767 S	12/2005	Ouyoung	
D515,669 S	2/2006	Ying-Hui et al.	
D518,150 S	3/2006	Chu	
D518,151 S	3/2006	Ito	
D520,602 S	5/2006	Koury et al.	
D520,606 S	5/2006	Hoernig	
D521,115 S	5/2006	Koury et al.	
D521,605 S	5/2006	Koury et al.	
D522,629 S	6/2006	Fritz	
D522,635 S	6/2006	Hoernig	
D523,119 S	6/2006	Fritz	
D523,121 S	6/2006	Schaffeld et al.	
D523,533 S	6/2006	Schaffeld et al.	
D523,930 S	6/2006	Fritz	
D523,935 S	6/2006	Schaffeld et al.	
D524,914 S	7/2006	Chu	
D526,702 S *	8/2006	Kosasih	D23/252
D534,621 S	1/2007	Chu et al.	
D538,403 S	3/2007	Sallick et al.	
D538,895 S	3/2007	Sallick et al.	
D542,383 S	5/2007	Chu	
7,334,599 B2	2/2008	Shieh	
D582,012 S	12/2008	Chang	
D582,014 S	12/2008	Spangler	
D584,800 S	1/2009	Zhang	
D606,169 S	12/2009	Lammel et al.	
D627,443 S	11/2010	Sedwick	
D630,713 S	1/2011	Romero	
D648,833 S	11/2011	Obara et al.	
D649,226 S	11/2011	Obara et al.	
D655,396 S	3/2012	Obara et al.	
D655,547 S	3/2012	Domanski	
D657,019 S	4/2012	Padgett	
D657,023 S	4/2012	McKeone	
D659,802 S *	5/2012	McKeone	D23/252
D666,697 S	9/2012	Romero	
D672,437 S	12/2012	Kwok	
D674,053 S	1/2013	Kwok	
D674,881 S	1/2013	Kwok	
D676,528 S	2/2013	Obara et al.	
D676,530 S	2/2013	Kwok	
D676,933 S	2/2013	Obara et al.	
D676,939 S	2/2013	Kwok	
D680,625 S	4/2013	Romero	
D686,300 S	7/2013	Fritz	
D686,705 S	7/2013	Fritz	
D687,127 S	7/2013	Fritz	
D688,353 S	8/2013	Flowers et al.	
D694,369 S *	11/2013	Mendoza	D23/242
D700,957 S	3/2014	Mendoza et al.	
D713,937 S *	9/2014	Fritz	D23/242
D714,914 S *	10/2014	Georgeson	D23/252
D717,916 S *	11/2014	Fritz	D23/242
D729,351 S *	5/2015	Fritz	D23/253
D729,906 S *	5/2015	Fritz	D23/252

* cited by examiner

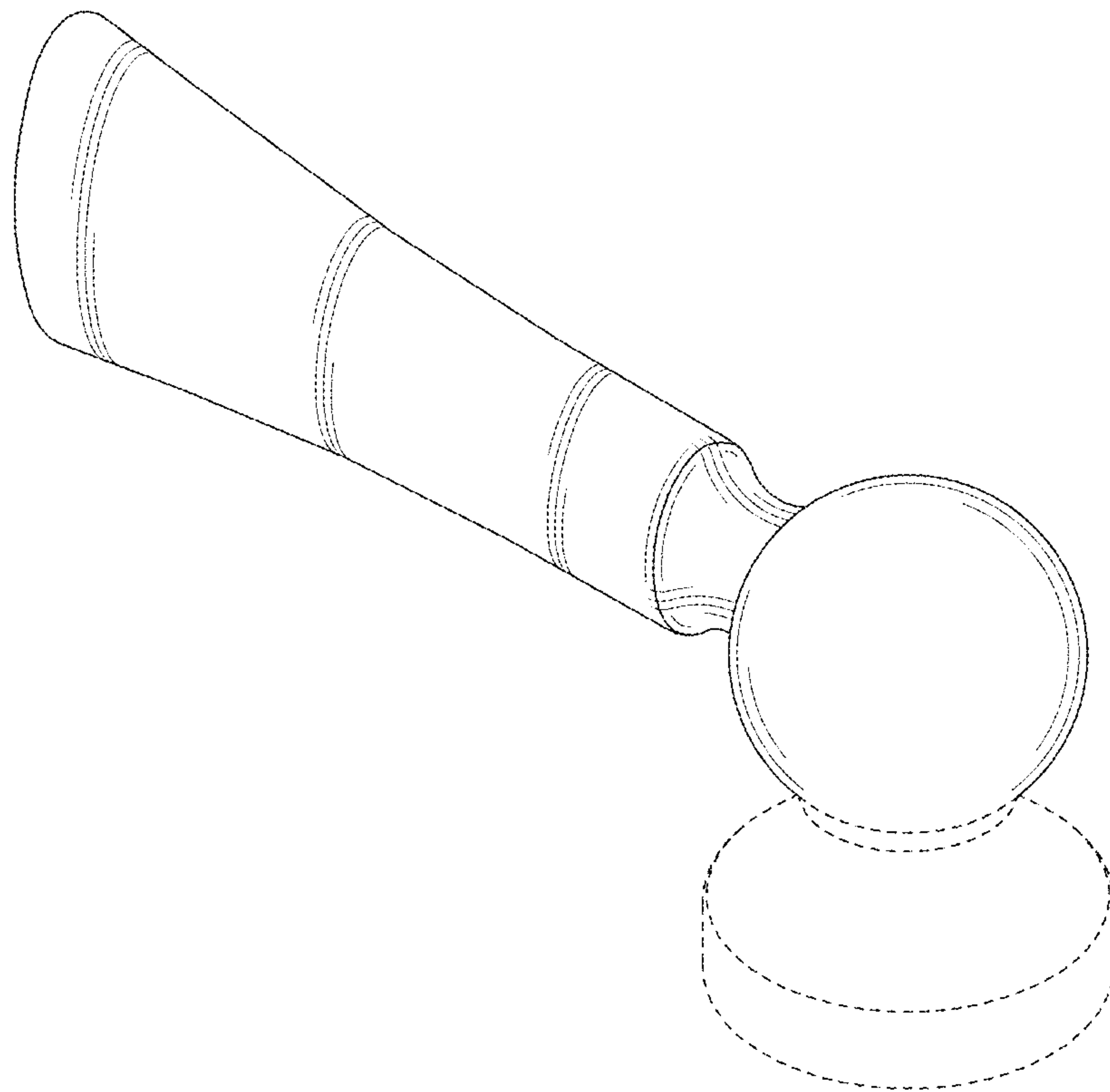


FIG. 1

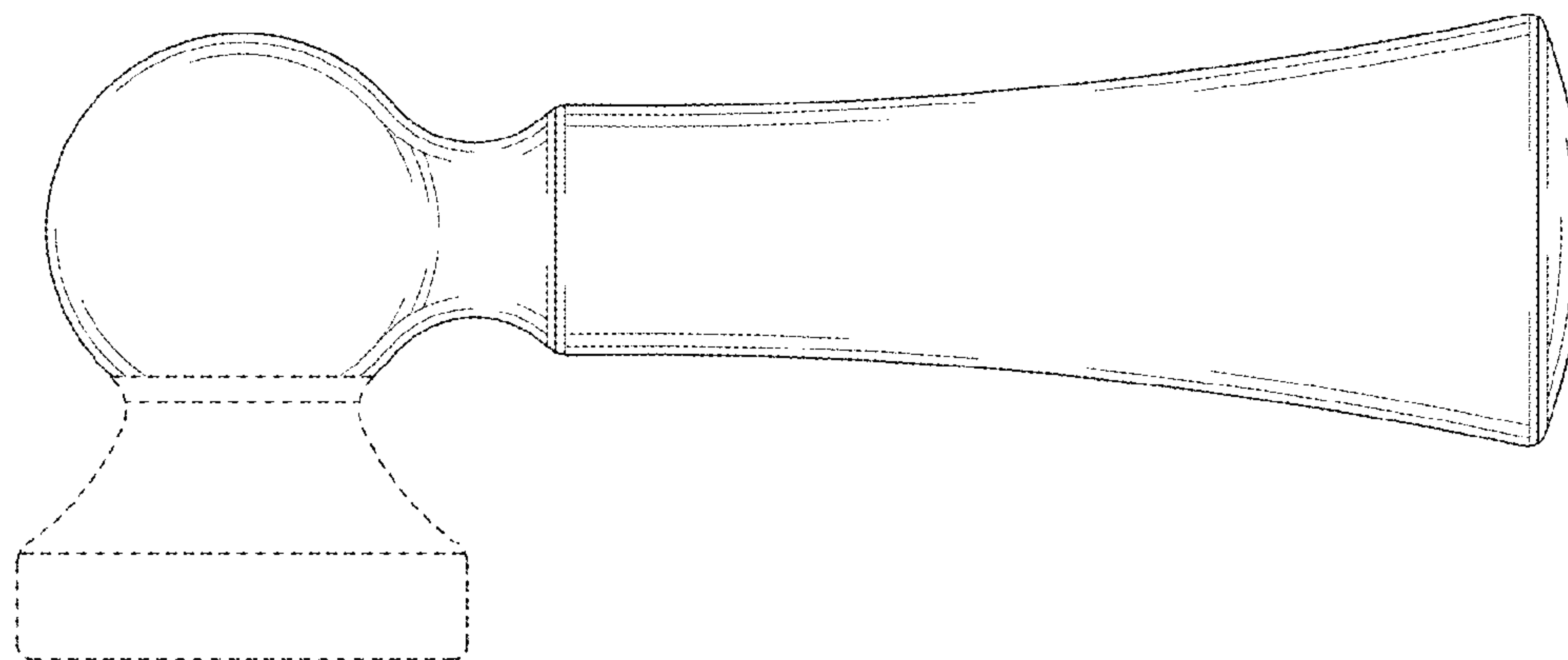


FIG. 2

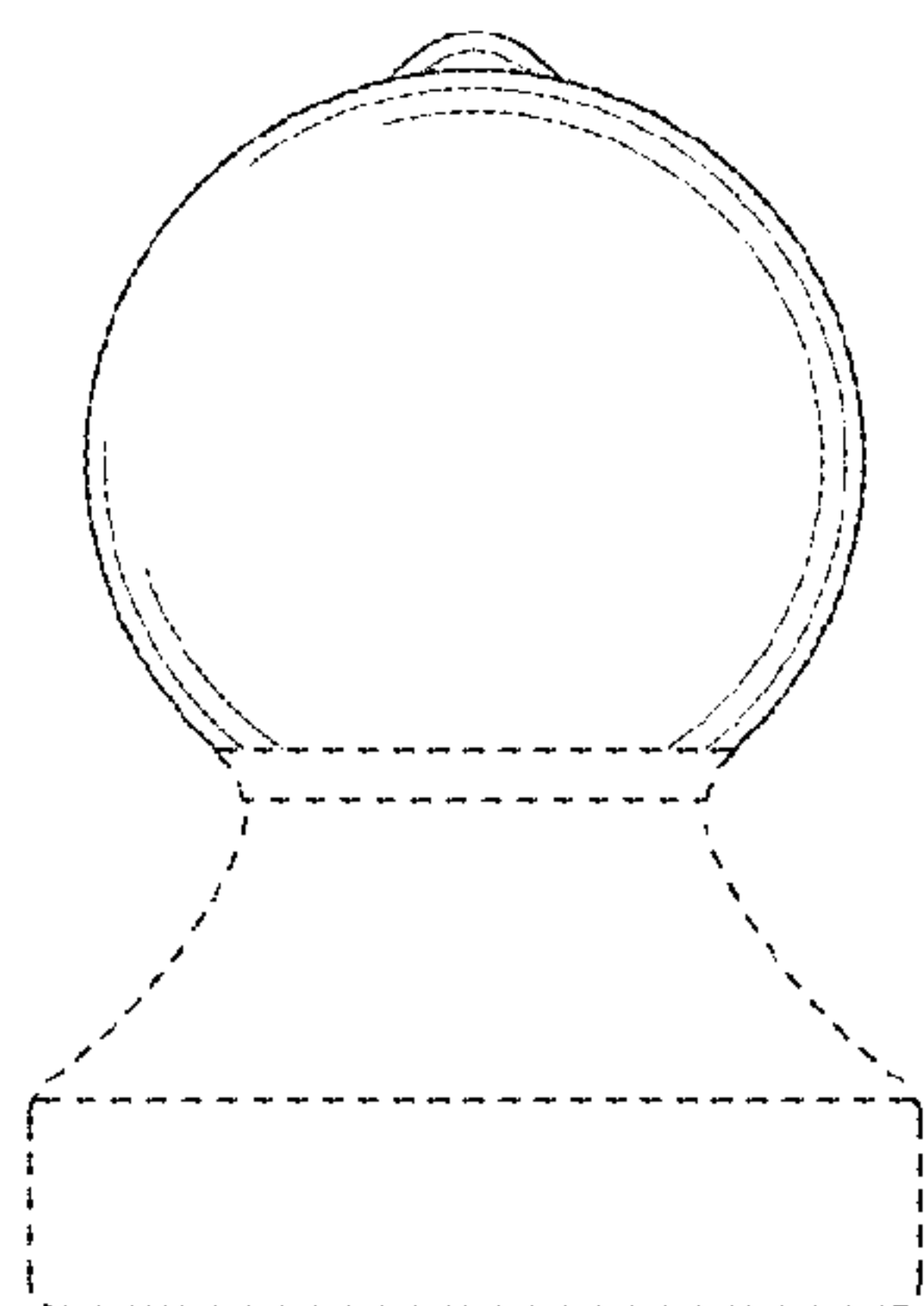


FIG. 3

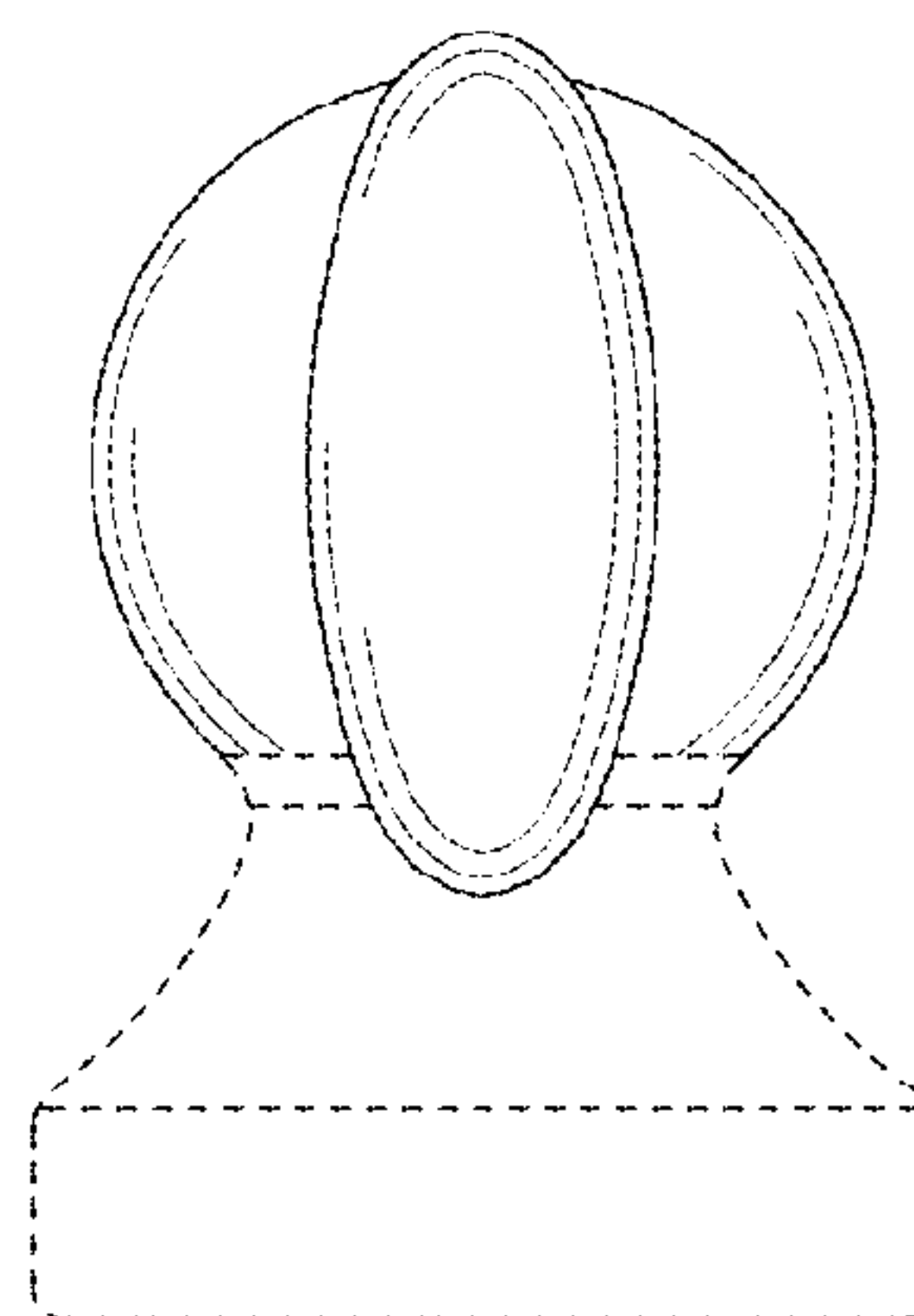


FIG. 4

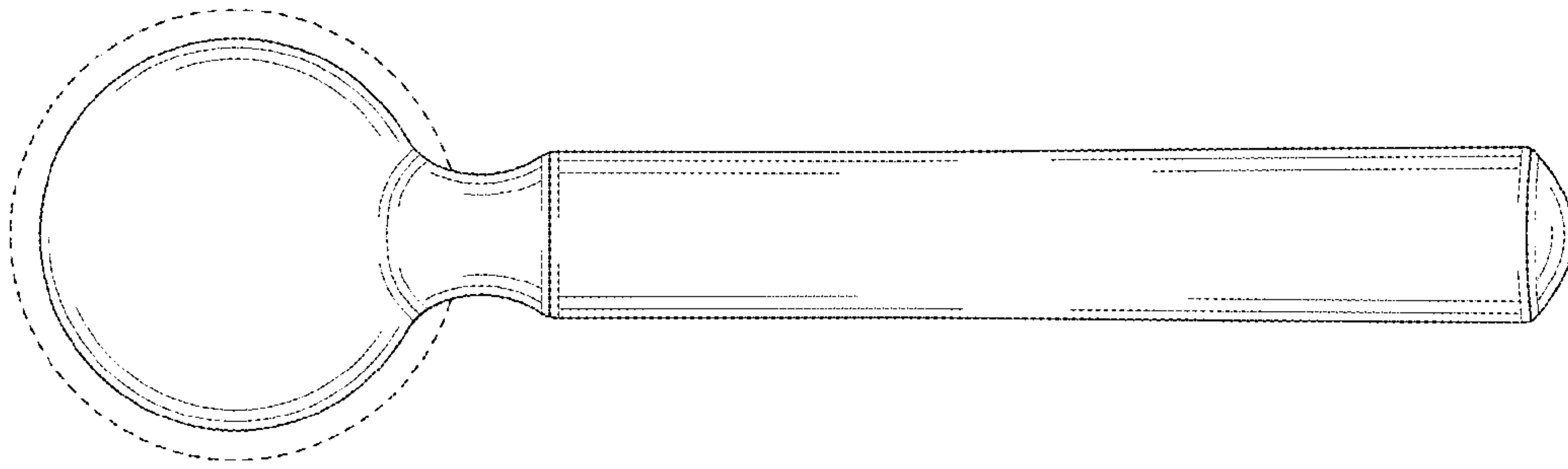


FIG. 5

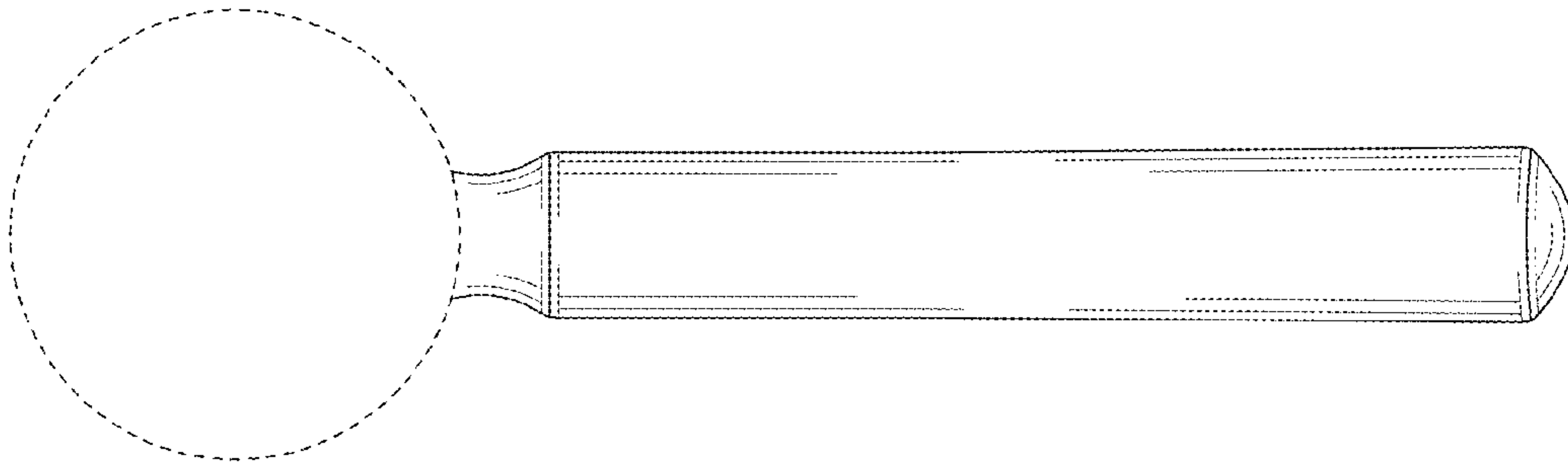


FIG. 6