



US00D759206S

(12) **United States Design Patent**
Moerman

(10) **Patent No.:** **US D759,206 S**

(45) **Date of Patent:** **** Jun. 14, 2016**

(54) **TAP**

(71) Applicant: **Narviks Ltd.**, Nijmegen (NL)

(72) Inventor: **Lammert Jan Moerman**, Weurt (NL)

(73) Assignee: **NARVIKS LTD.**, Nijmegen (NL)

(**) Term: **14 Years**

(21) Appl. No.: **29/514,495**

(22) Filed: **Jan. 13, 2015**

(30) **Foreign Application Priority Data**

Jul. 25, 2014 (EP) 002509281-0001

(51) **LOC (10) Cl.** **23-01**

(52) **U.S. Cl.**
USPC **D23/239**

(58) **Field of Classification Search**

USPC D23/238-243, 249-250, 252, 255, 257

CPC E03C 1/04; E03C 1/0401; E03C 1/0402;

E03C 1/0404; F16K 31/602; F16K 31/605;

F16K 31/607

See application file for complete search history.

(56) **References Cited**

U.S. PATENT DOCUMENTS

D571,437 S *	6/2008	Kristensen	D23/242
D585,960 S *	2/2009	Ko	D23/238
D599,883 S *	9/2009	Tippens	D23/223
D615,622 S *	5/2010	Pan	D23/238
D615,623 S *	5/2010	Krause	D23/239
D734,836 S *	7/2015	Flowers	D23/239

* cited by examiner

Primary Examiner — Robert Delehanty

(74) *Attorney, Agent, or Firm* — McAndrews Held & Malloy, Ltd.

(57) **CLAIM**

The ornamental design for a tap, as shown and described.

DESCRIPTION

FIG. 1 is a top front right perspective view of a tap showing my new design;

FIG. 2 is a front elevation view thereof;

FIG. 3 is a rear elevation view thereof;

FIG. 4 is a right side elevation view thereof;

FIG. 5 is a left side elevation view thereof;

FIG. 6 is a top plan view thereof; and,

FIG. 7 is a bottom plan view thereof.

The dashed broken lines are for environmental purposes only and form no part of the claimed design.

1 Claim, 7 Drawing Sheets

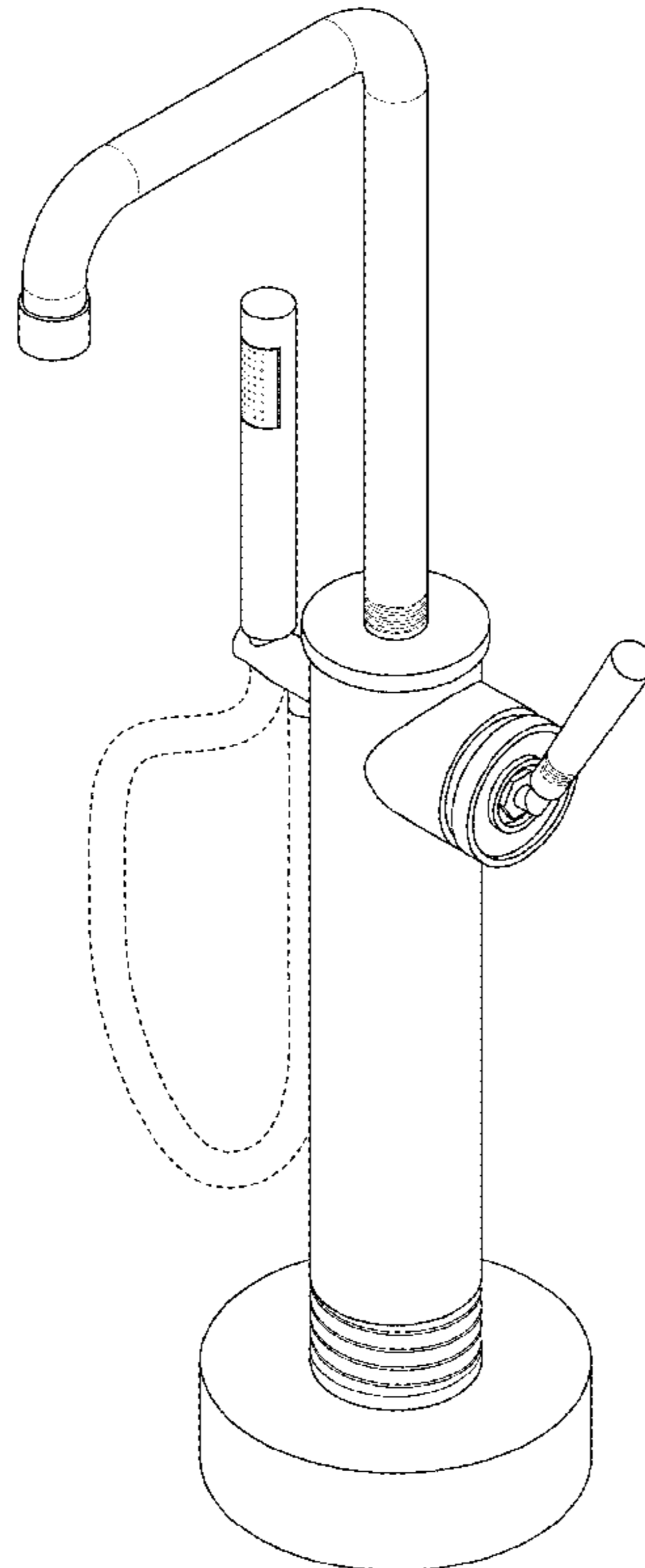


FIG. 1

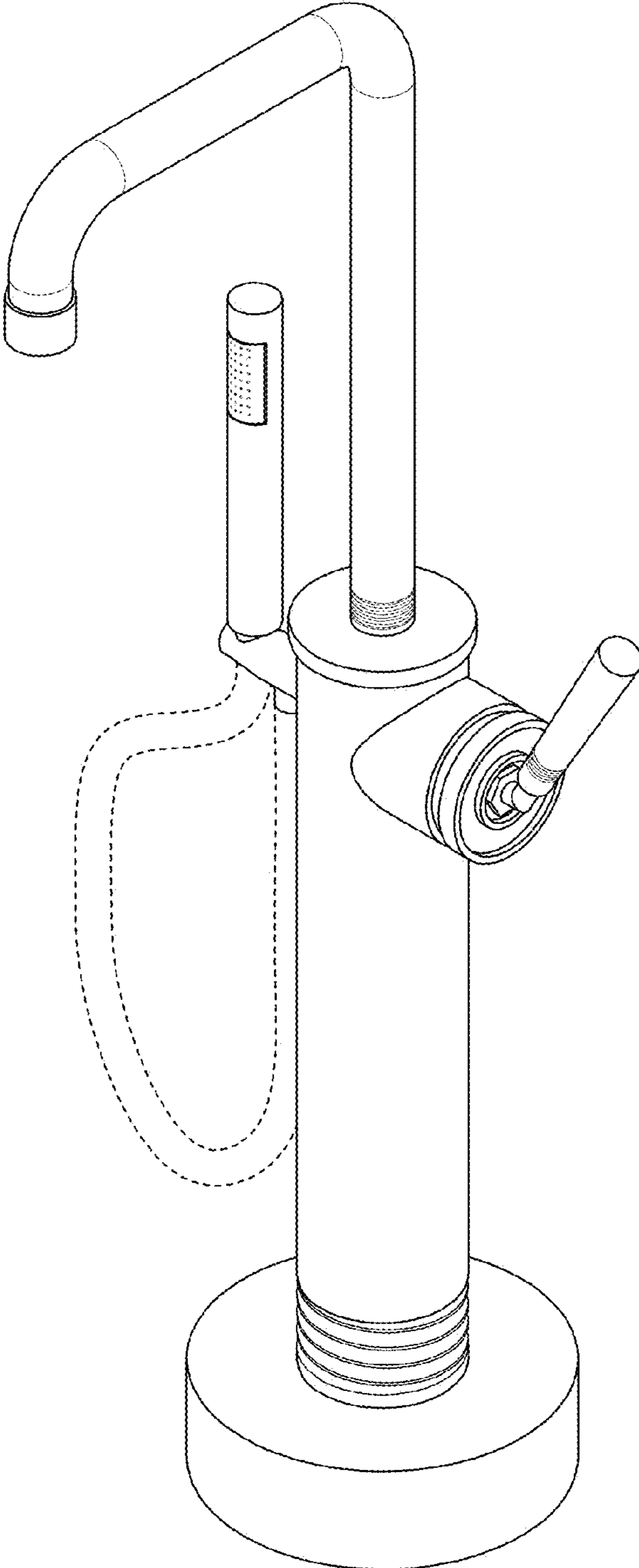


FIG. 2

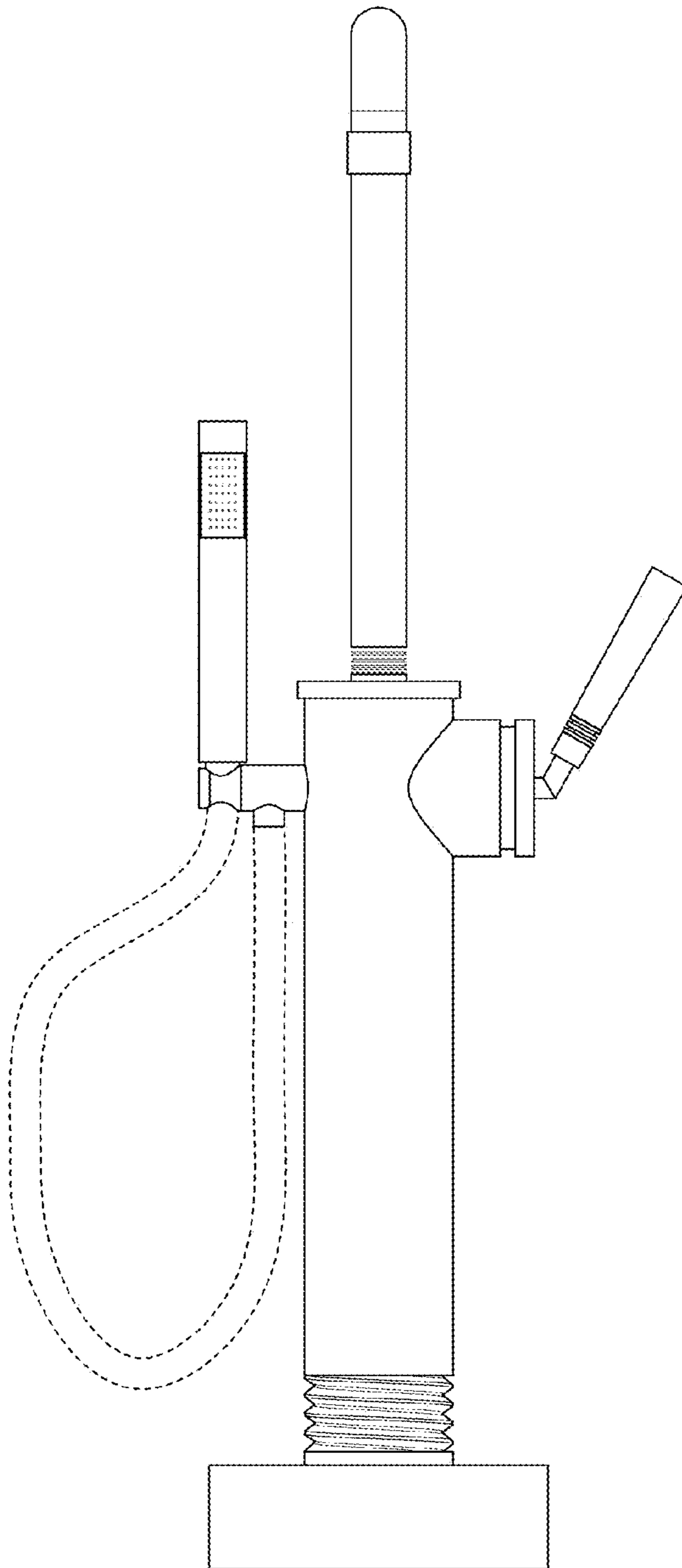


FIG. 3

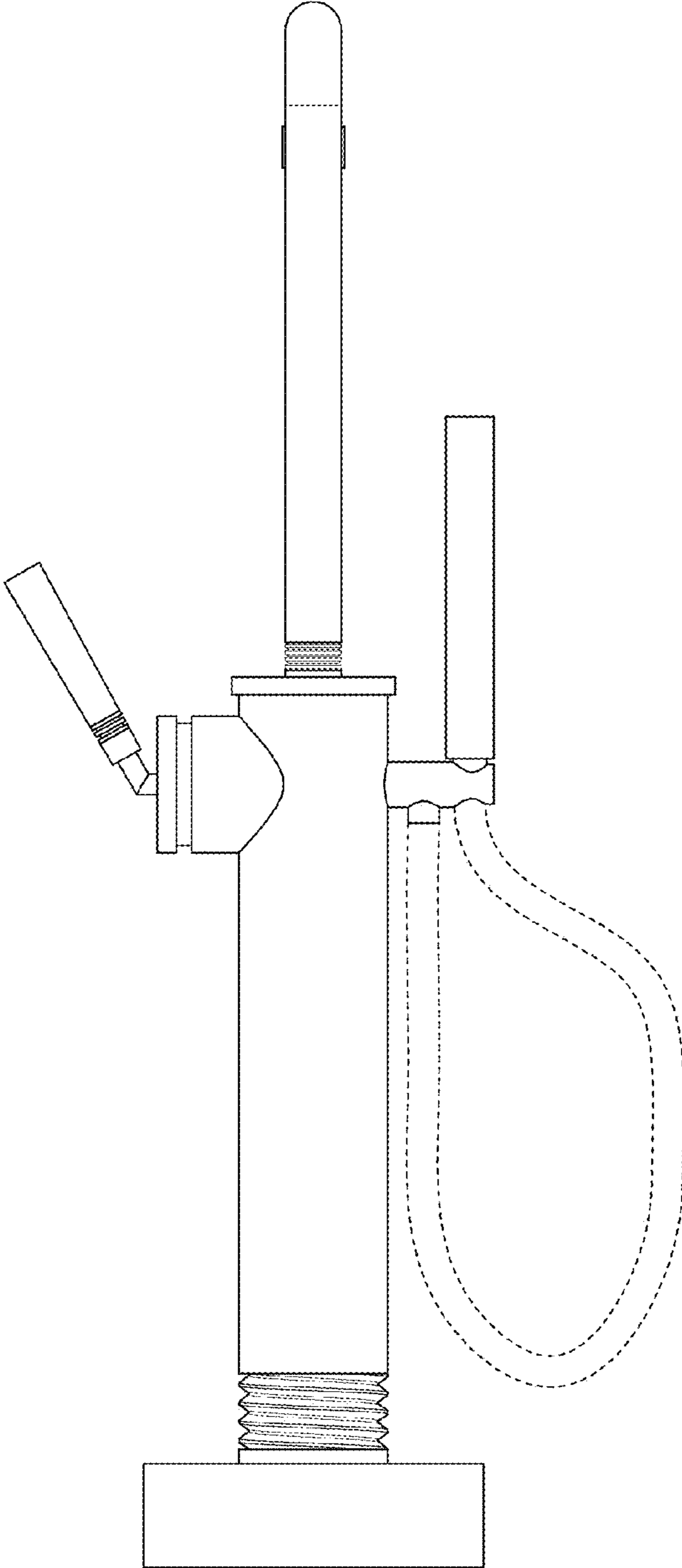


FIG. 4

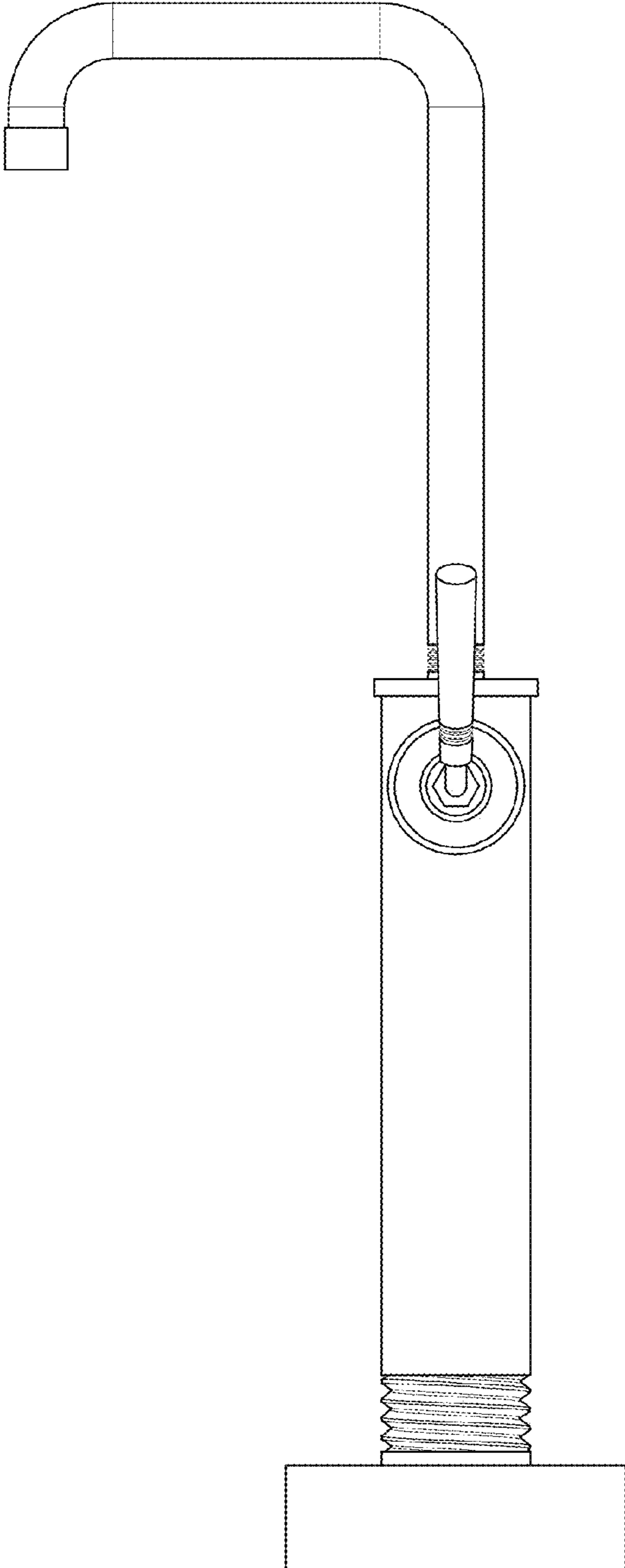


FIG. 5

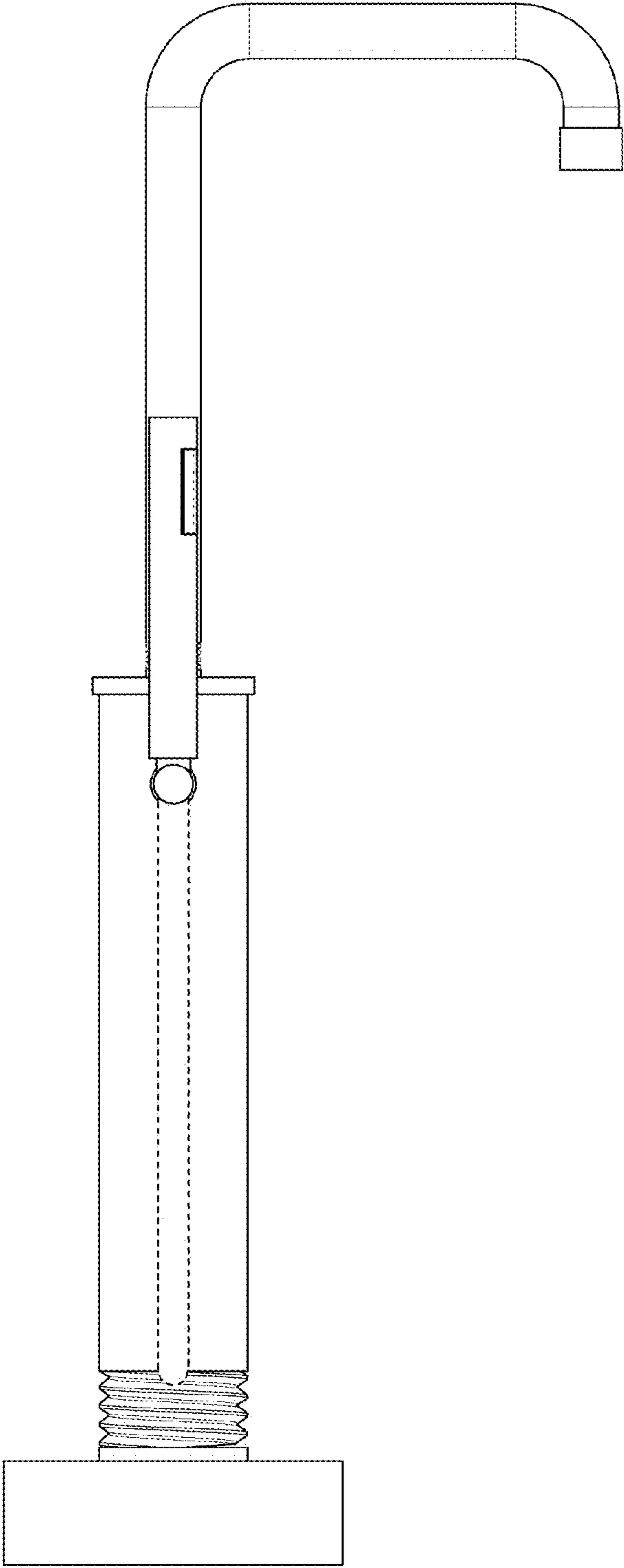


FIG. 6

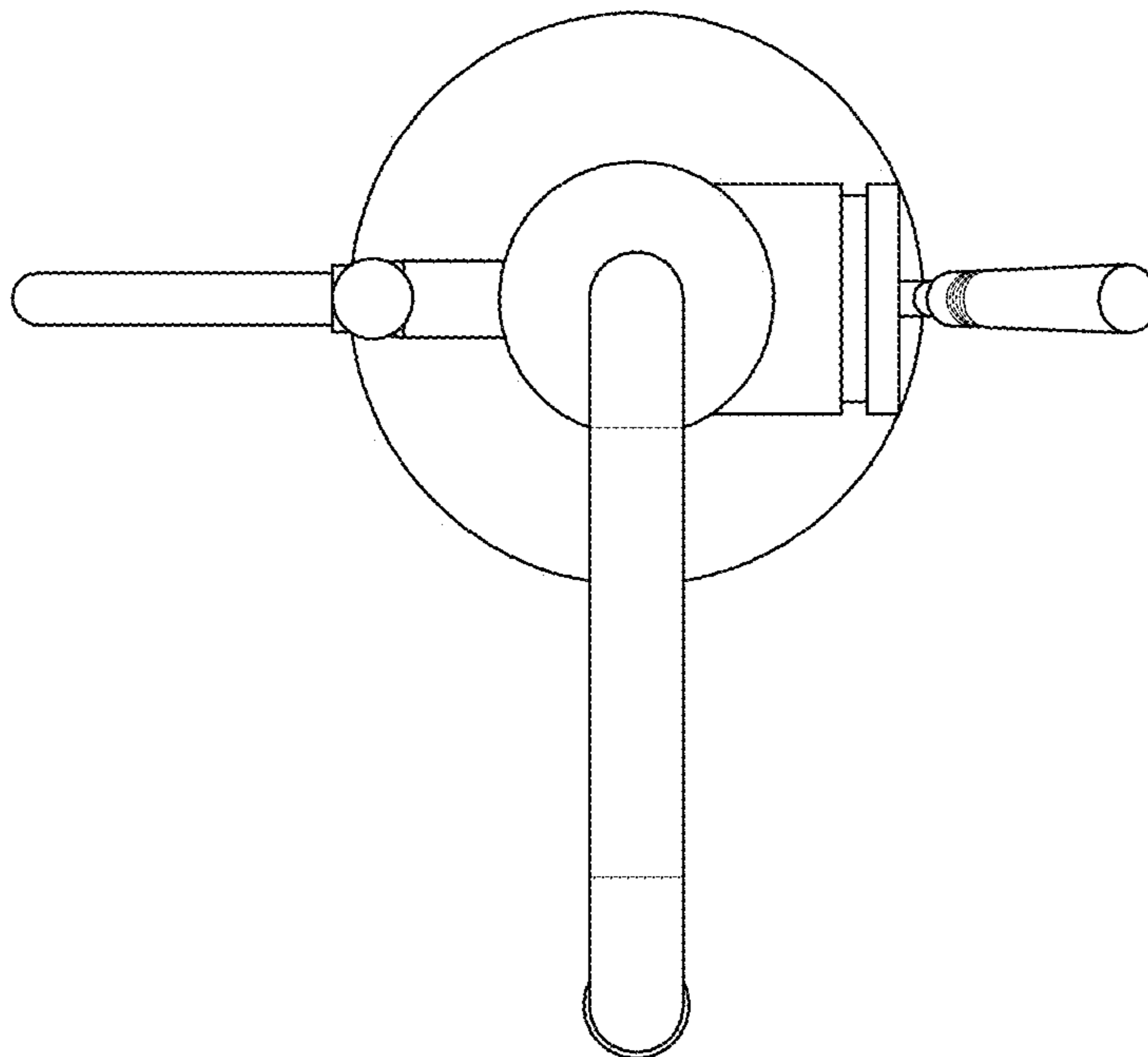


FIG. 7

