



US00D759205S

(12) **United States Design Patent**
Eads

(10) **Patent No.:** **US D759,205 S**
(45) **Date of Patent:** **** Jun. 14, 2016**

- (54) **FAUCET**
- (71) Applicant: **Delta Faucet Company**, Indianapolis, IN (US)
- (72) Inventor: **Thad Eads**, North Manchester, IN (US)
- (73) Assignee: **DELTA FAUCET COMPANY**, Indianapolis, IN (US)
- (**) Term: **15 Years**
- (21) Appl. No.: **29/528,497**
- (22) Filed: **May 29, 2015**
- (51) **LOC (10) Cl.** **23-01**
- (52) **U.S. Cl.**
USPC **D23/238**
- (58) **Field of Classification Search**
USPC D23/238-243, 249, 255, 257, 250, 252
CPC E03C 1/04; E03C 1/0401; E03C 1/0402;
E03C 1/0404
See application file for complete search history.

- D297,358 S * 8/1988 Hill D23/252
- D529,581 S * 10/2006 Starck D23/238
- D543,415 S * 5/2007 Duranti D7/398
- D608,863 S * 1/2010 Pan D23/255
- D737,941 S * 9/2015 Eads D23/255

* cited by examiner

Primary Examiner — Robert Delehanty
(74) *Attorney, Agent, or Firm* — Edgar A. Zarins; Nirav D. Parikh

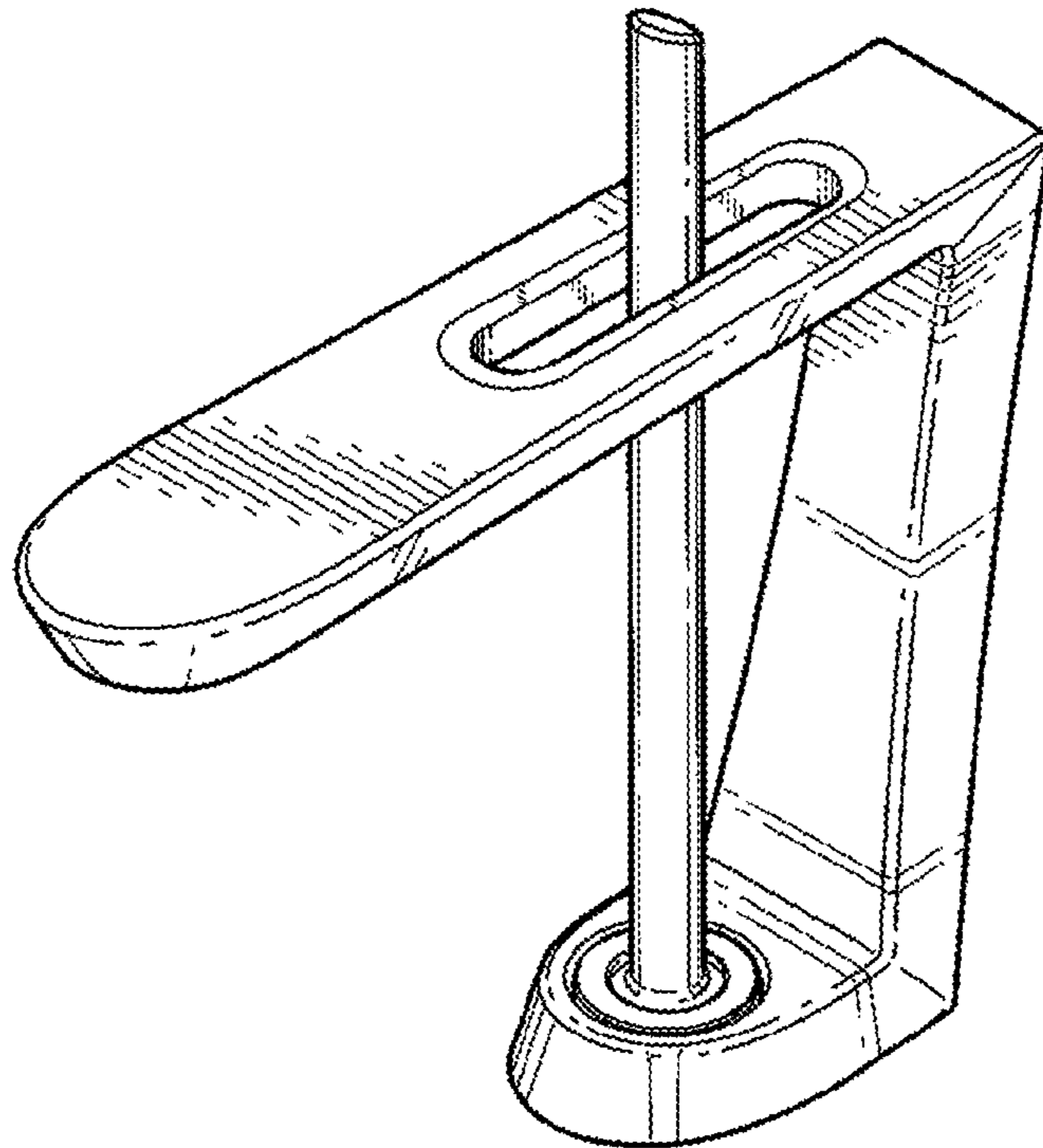
(57) **CLAIM**
The ornamental design for a faucet, as shown and described.

DESCRIPTION

FIG. 1 is a perspective view of a faucet showing my new design;
FIG. 2 is a front elevational view thereof;
FIG. 3 is a rear view thereof;
FIG. 4 is a top plan view thereof;
FIG. 5 is a right side view thereof, the opposite side being a mirror image of the side shown; and,
FIG. 6 is a bottom view thereof.
The broken line showing a water supply hole is included for the purpose of illustrating a portion of the faucet that forms no part of the claimed design.

- (56) **References Cited**
U.S. PATENT DOCUMENTS
D203,244 S * 12/1965 Bilkiss D23/255
D290,161 S * 6/1987 Paul D23/242

1 Claim, 2 Drawing Sheets



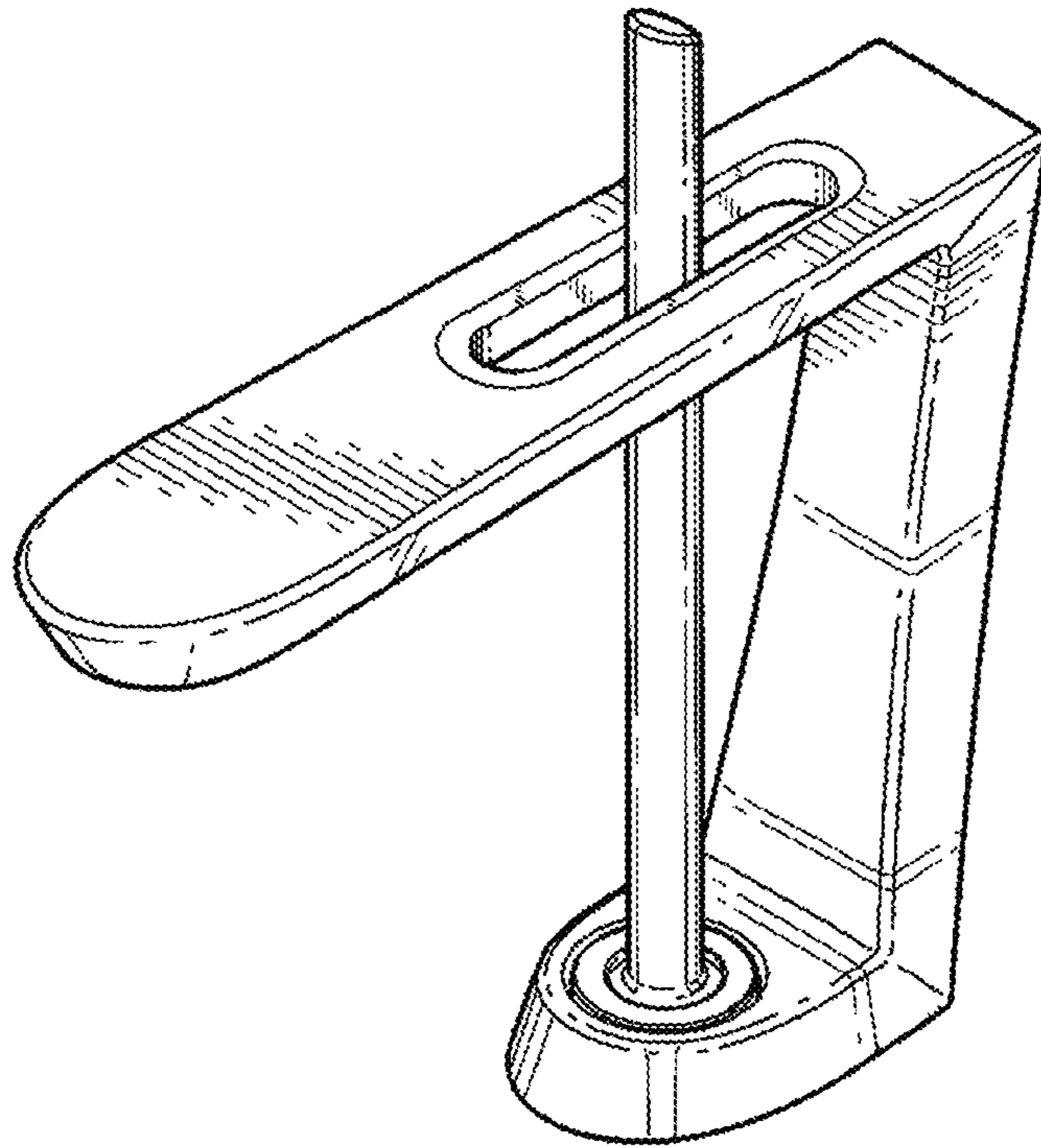


Fig-1

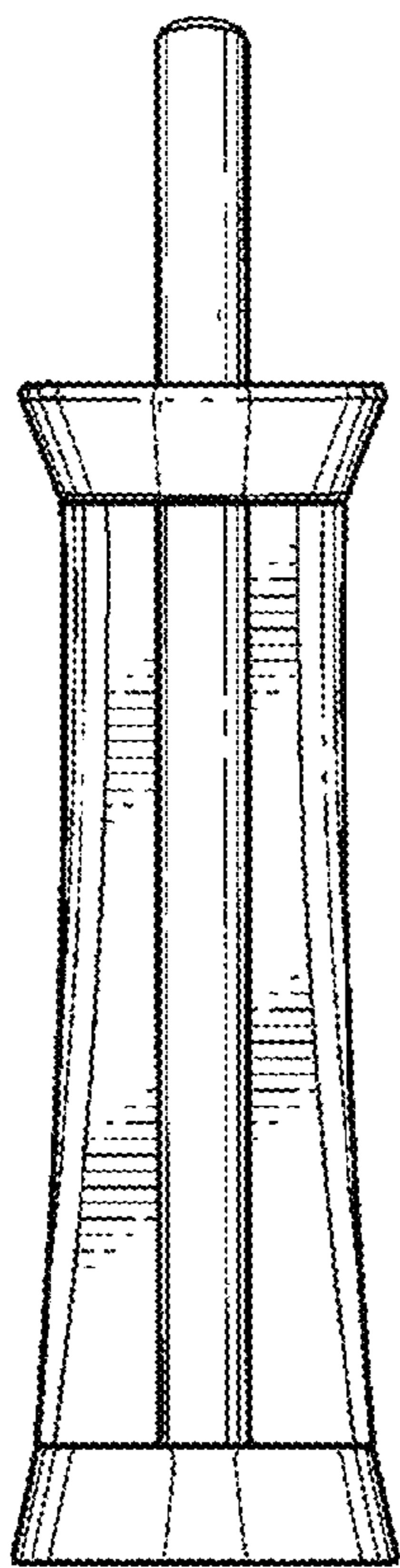


Fig-2

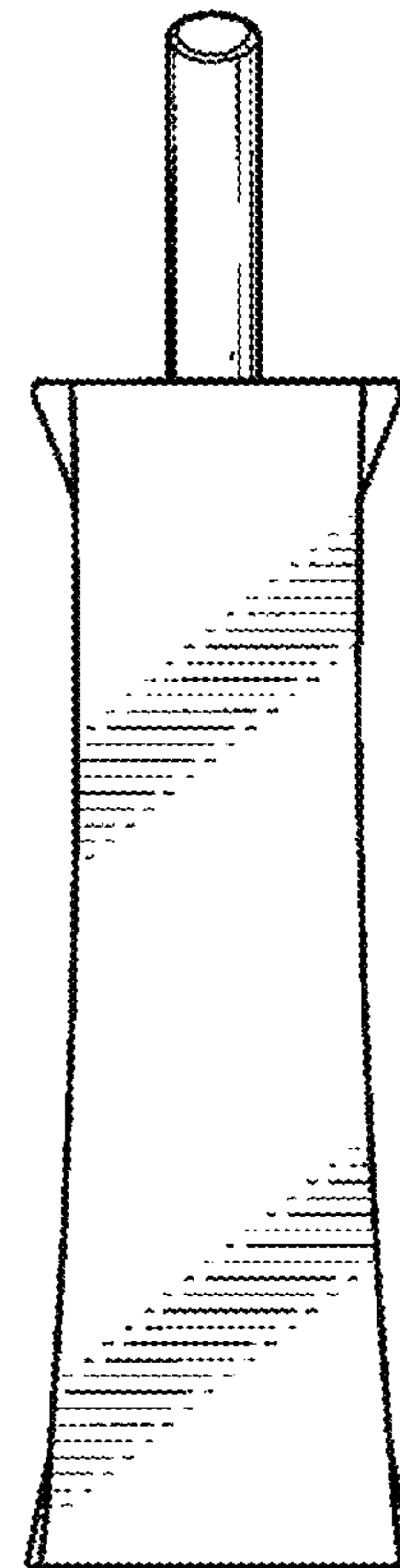


Fig-3

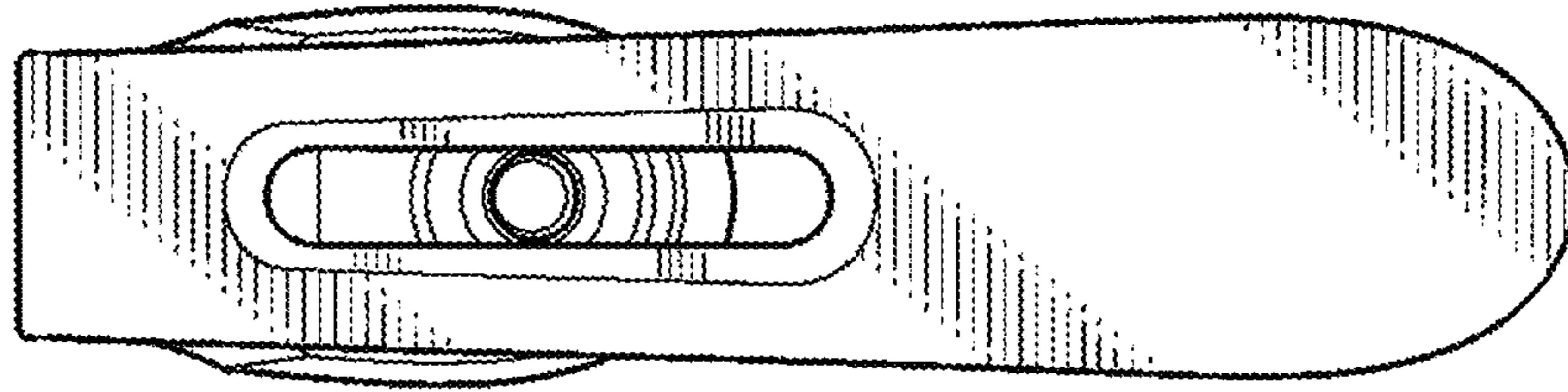


Fig-4

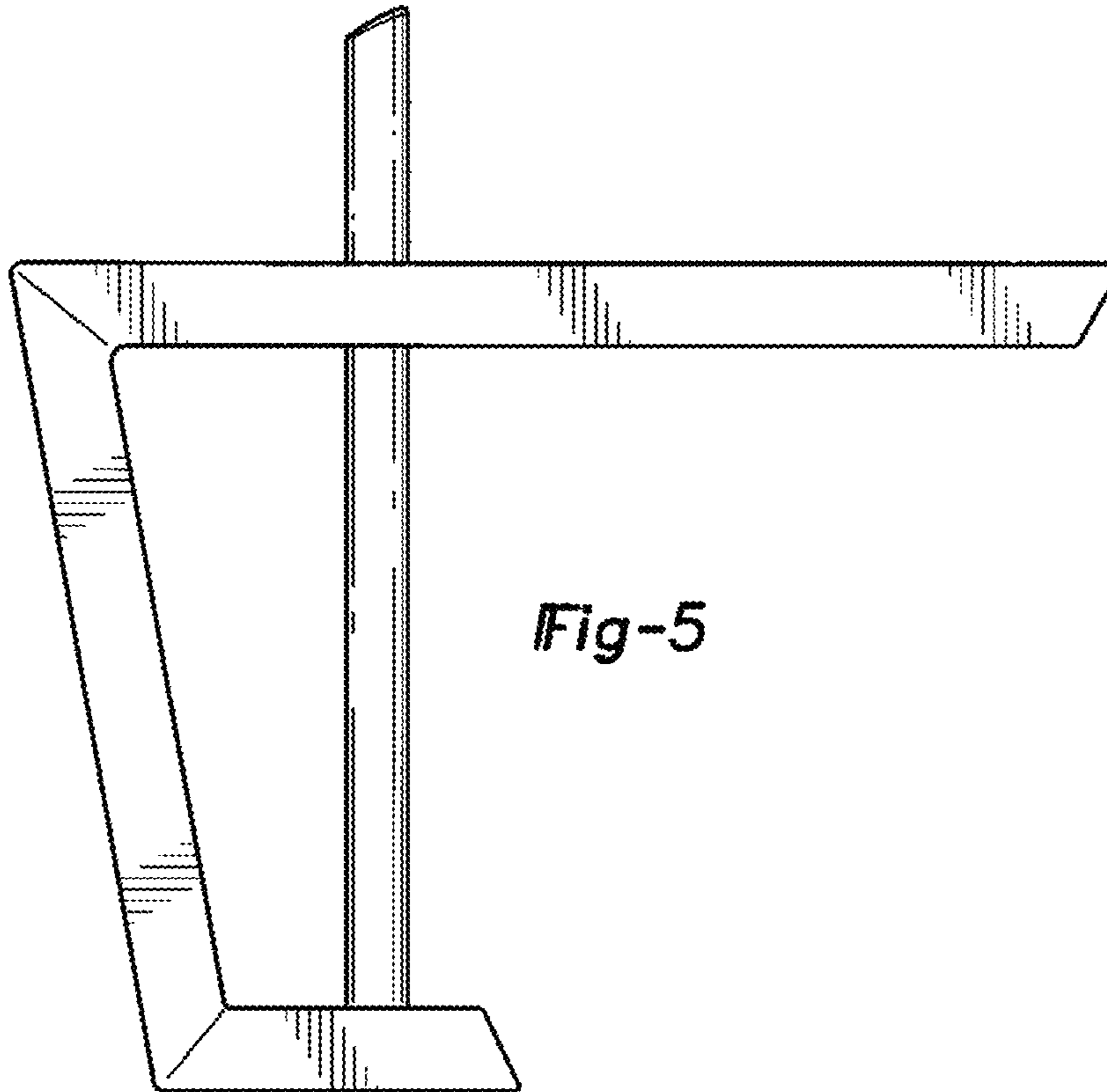


Fig-5

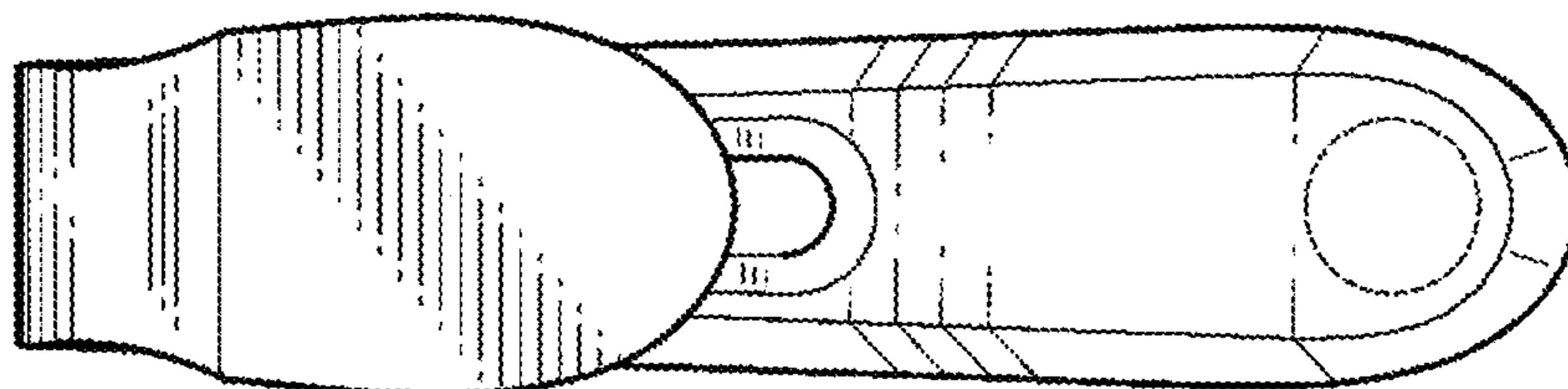


Fig-6