



US00D759203S

(12) **United States Design Patent**
Flowers et al.

(10) **Patent No.:** **US D759,203 S**
(45) **Date of Patent:** **** Jun. 14, 2016**

- (54) **VESSEL SPOUT**
- (71) Applicant: **Grohe AG**, Hemer (DE)
- (72) Inventors: **Paul Flowers**, London (GB); **Jochen Allard**, Menden (DE)
- (73) Assignee: **Grohe AG**, Hemer (DE)
- (**) Term: **14 Years**
- (21) Appl. No.: **29/524,377**
- (22) Filed: **Apr. 20, 2015**
- (30) **Foreign Application Priority Data**

Oct. 20, 2014 (EM) 002560276-0010

- (51) **LOC (10) Cl.** **23-01**
- (52) **U.S. Cl.**
USPC **D23/238**
- (58) **Field of Classification Search**
USPC D23/238-243, 249, 255, 257, 250, 252
CPC E03C 1/04; E03C 1/0401; E03C 1/0402;
E03C 1/0404
See application file for complete search history.

(56) **References Cited**

U.S. PATENT DOCUMENTS

D478,966 S *	8/2003	Citterio	D23/238
D479,739 S *	9/2003	Citterio	D23/238
D503,217 S *	3/2005	Aubry	D23/238
D514,198 S *	1/2006	Starck	D23/238
D517,169 S *	3/2006	Ogata	D23/238
D517,651 S *	3/2006	Theberge	D23/238
D522,092 S *	5/2006	Hoernig	D23/238
D525,342 S *	7/2006	Starck	D23/238
D541,906 S *	5/2007	Qing	D23/238
D575,849 S *	8/2008	Ko	D23/238
D583,907 S *	12/2008	Citterio	D23/238

D588,233 S *	3/2009	Zetsche	D23/238
D598,072 S *	8/2009	Zetsche	D23/238
D601,683 S *	10/2009	Schoenherr	D23/328
D611,575 S *	3/2010	Schoenherr	D23/257
D625,779 S *	10/2010	Sandee	D23/238
D635,649 S *	4/2011	Schoenherr	D23/255
D645,938 S *	9/2011	Ando	D23/238
D645,941 S *	9/2011	Ando	D23/242
D646,757 S *	10/2011	Gessi	D23/238
D659,807 S *	5/2012	Flowers	D23/255
D667,083 S *	9/2012	Romero	D23/238
D680,627 S *	4/2013	Lord	D23/255
D701,592 S *	3/2014	Zhenqiang	D23/238
D708,715 S *	7/2014	Citterio	D23/238
D712,514 S *	9/2014	Citterio	D23/238
D713,008 S *	9/2014	Citterio	D23/238
D726,880 S *	4/2015	Kington	D23/238

* cited by examiner

Primary Examiner — Robert Delehanty

(74) *Attorney, Agent, or Firm* — Muncy, Geissler, Olds & Lowe, P.C.

(57) **CLAIM**

The ornamental design for a vessel spout, as shown and described.

DESCRIPTION

FIG. 1 is a front perspective view of a vessel spout according to the present invention.

FIG. 2 is a left side view of the vessel spout of FIG. 1.

FIG. 3 is a right side view of the vessel spout of FIG. 1.

FIG. 4 is a top view of the vessel spout of FIG. 1.

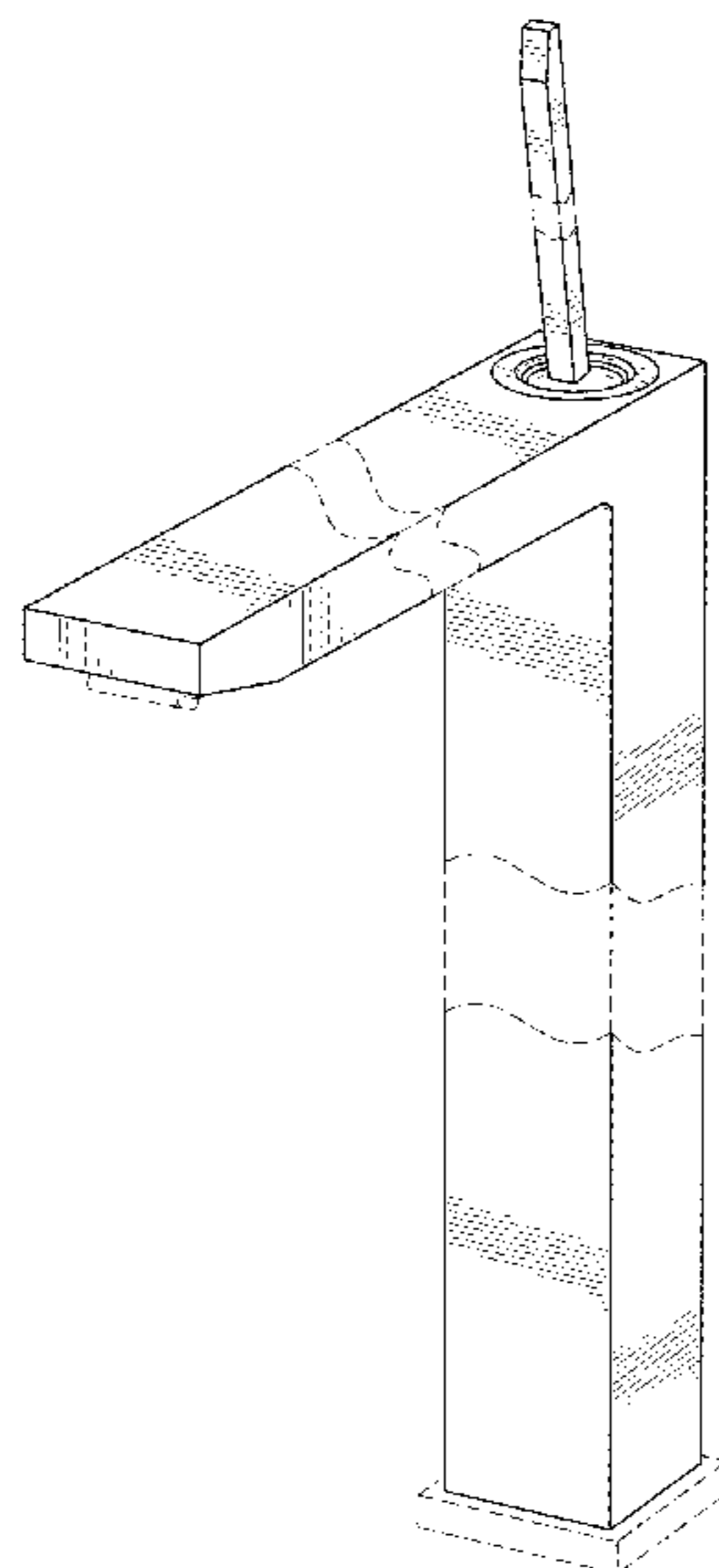
FIG. 5 is a bottom view of the vessel spout of FIG. 1.

FIG. 6 is a front view of the vessel spout of FIG. 1; and,

FIG. 7 is a rear view of the vessel spout of FIG. 1.

The dashed lines illustrate environment that does not form a part of the present invention, and no claim is made to the material illustrated with dashed lines.

1 Claim, 7 Drawing Sheets



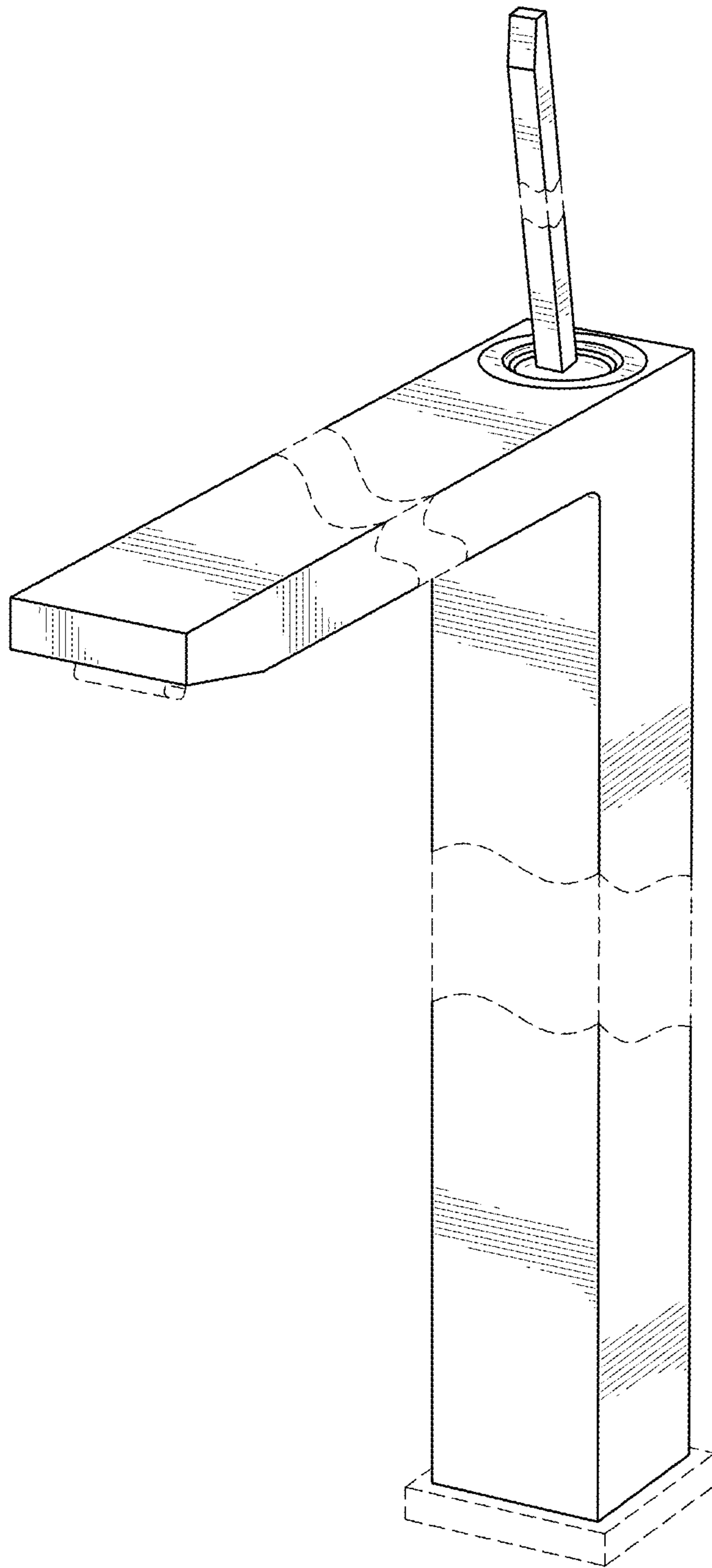


FIG. 1

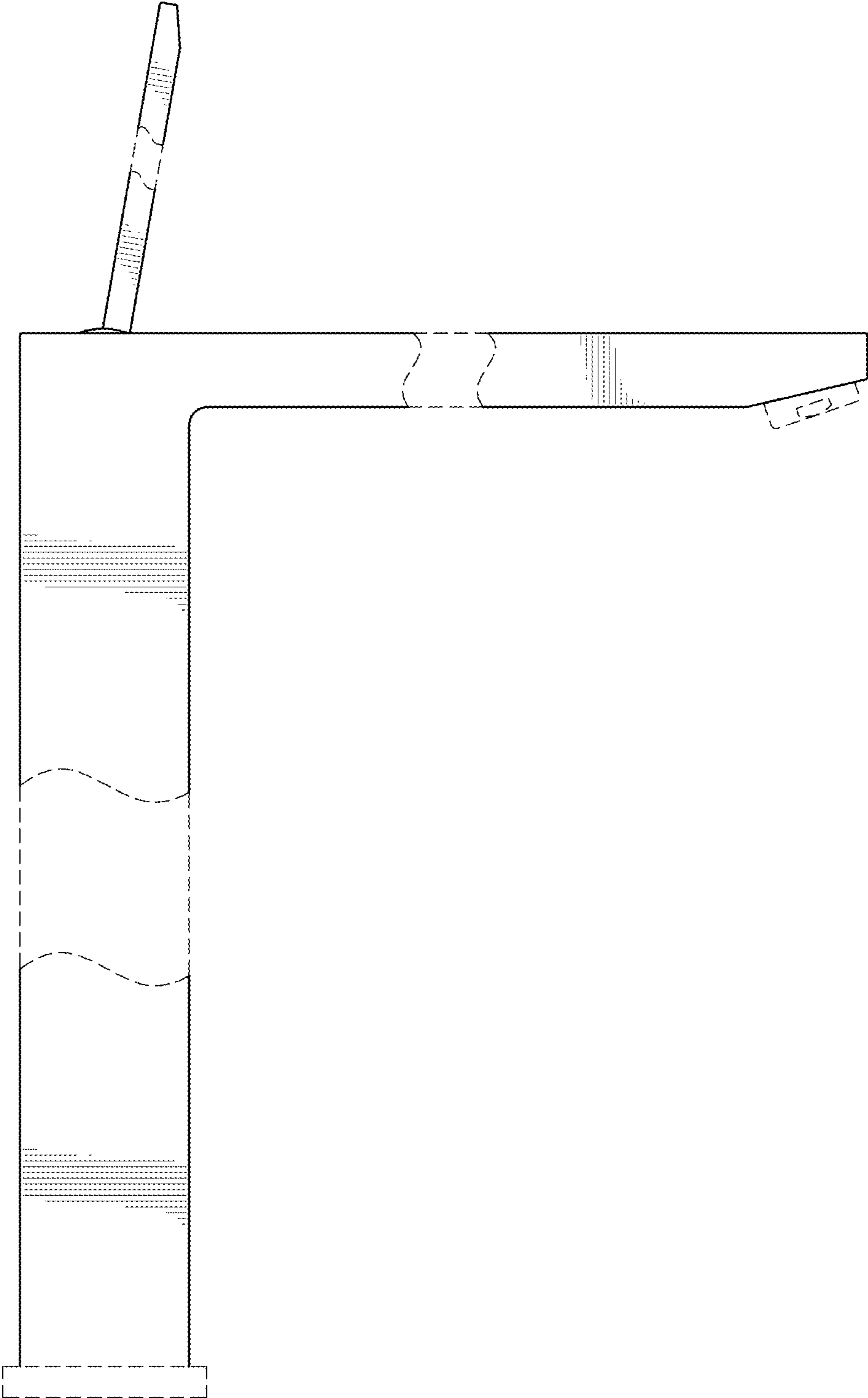


FIG.2

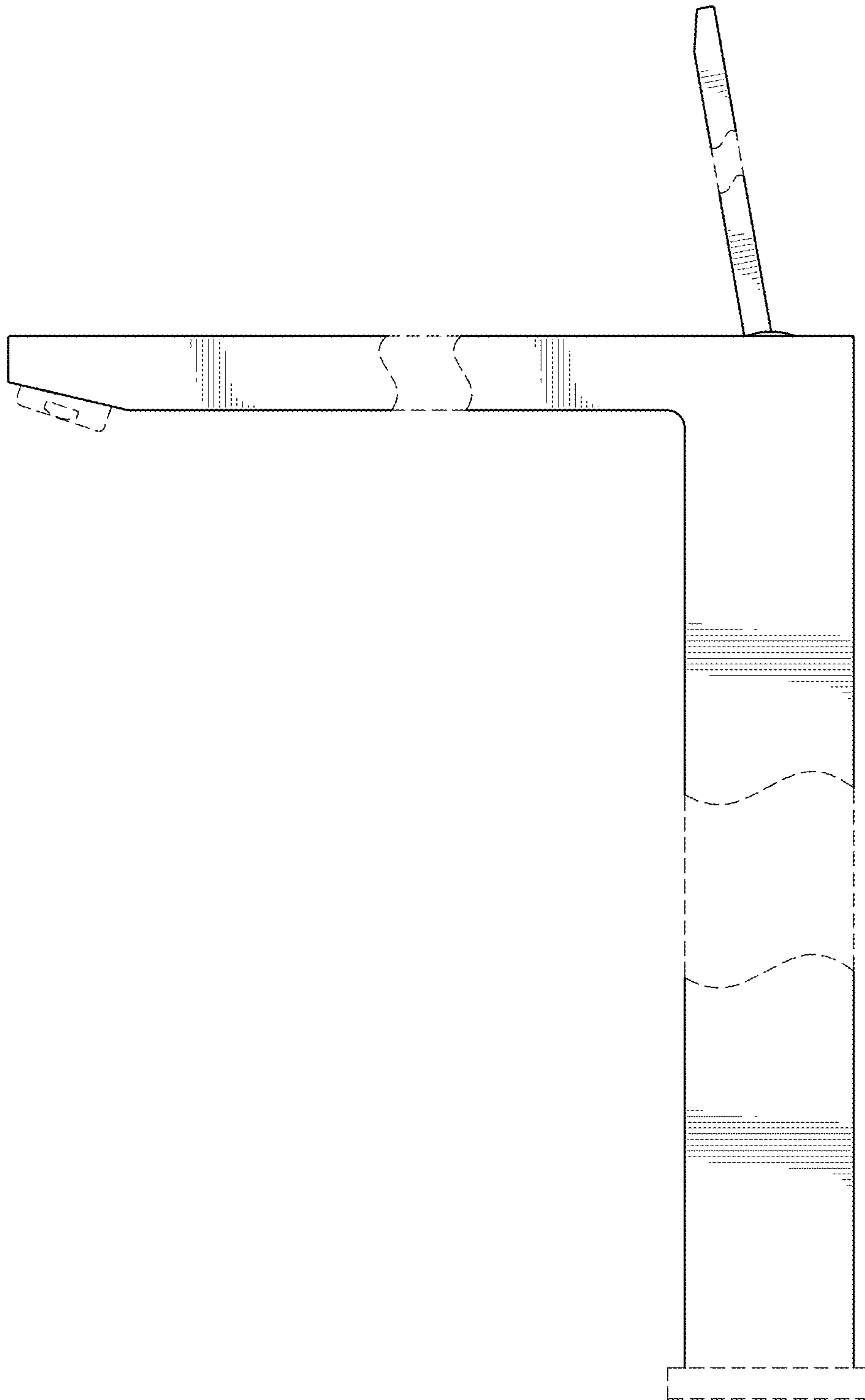


FIG.3

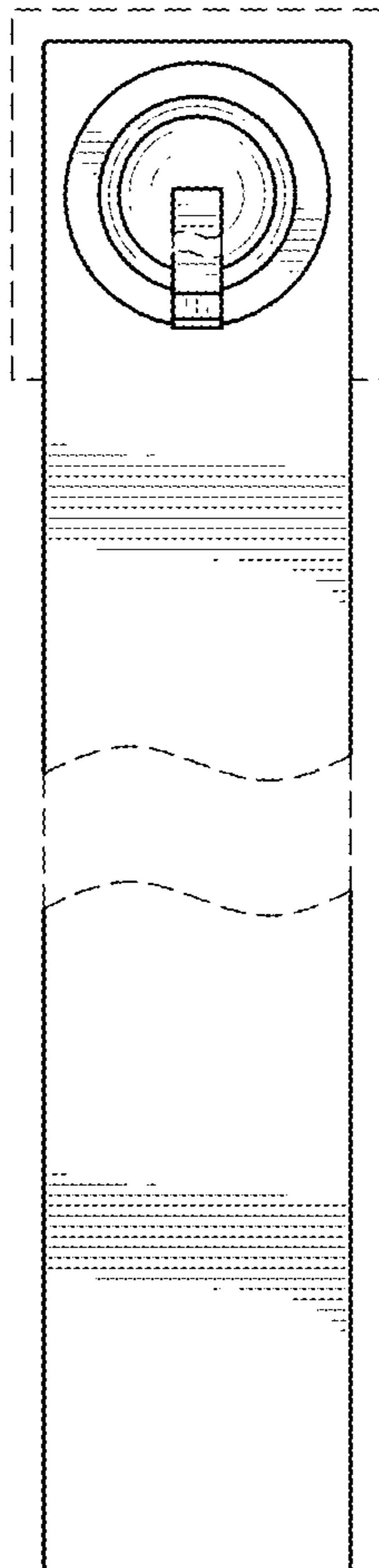


FIG.4

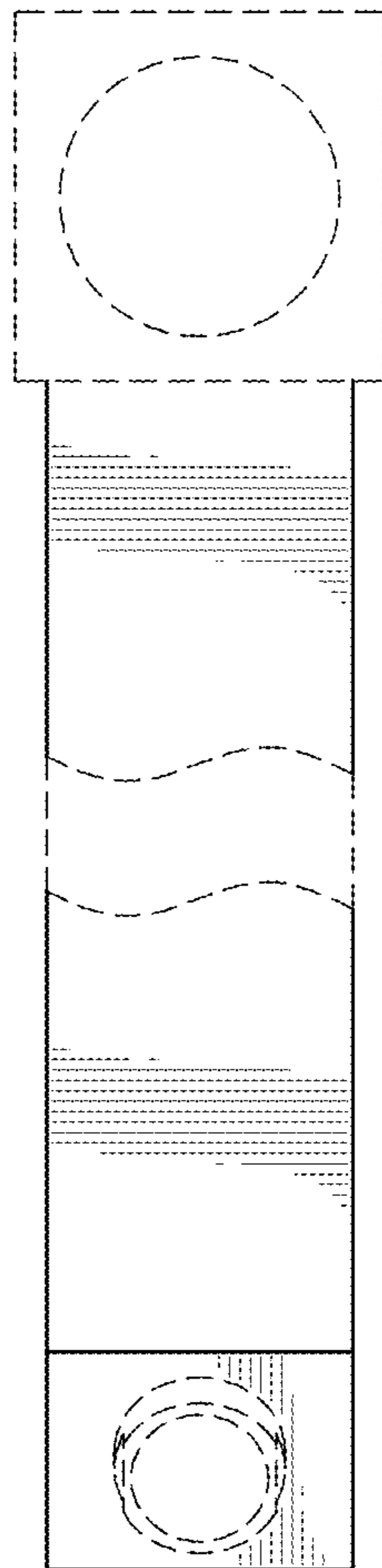


FIG.5

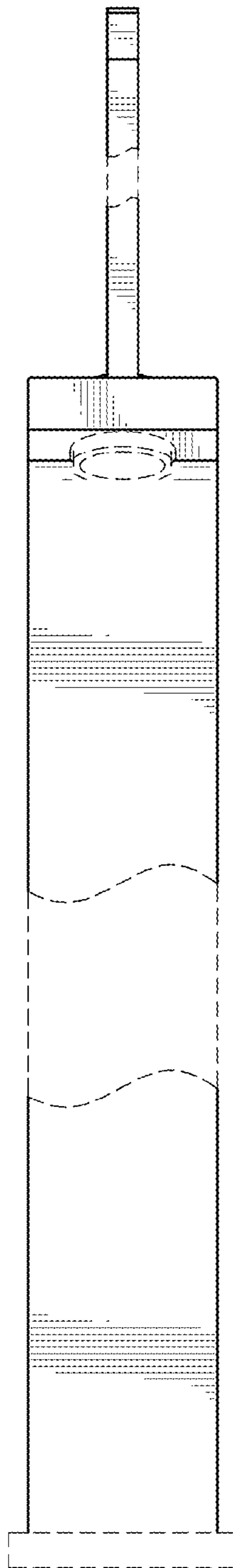


FIG.6

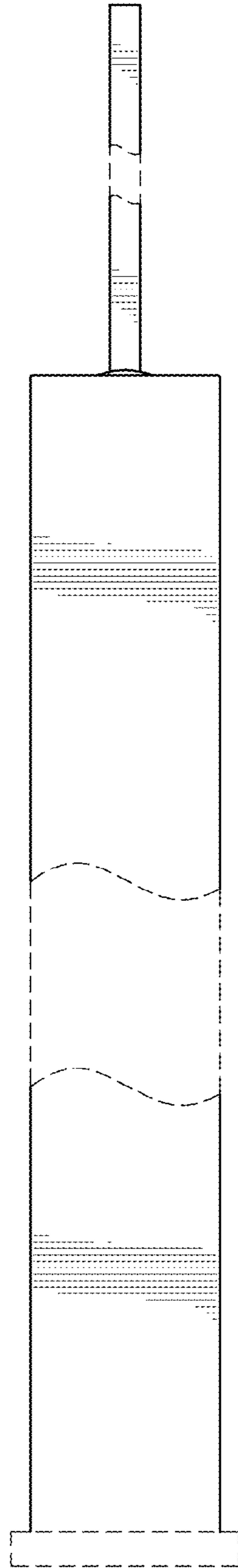


FIG.7