



US00D759202S

(12) **United States Design Patent**
Moerman

(10) **Patent No.:** **US D759,202 S**
(45) **Date of Patent:** **** Jun. 14, 2016**

(54) **FAUCET AND HANDLE SET**
(71) Applicant: **Narviks Ltd.**, Nijmegen (NL)
(72) Inventor: **Lammert Jan Moerman**, Weurt (NL)
(73) Assignee: **NARVIKS LTD.**, Nijmegen (NL)
(**) Term: **14 Years**
(21) Appl. No.: **29/514,502**
(22) Filed: **Jan. 13, 2015**
(30) **Foreign Application Priority Data**

Jul. 25, 2014 (EP) 002509281-0002

(51) **LOC (10) Cl.** **23-01**

(52) **U.S. Cl.**
USPC **D23/238**

(58) **Field of Classification Search**
USPC D23/238-243, 249-250, 252, 254-255,
D23/257
CPC E03C 1/04; E03C 1/0401; E03C 1/0402;
E03C 1/0404; F16K 31/602; F16K 31/605;
F16K 31/607
See application file for complete search history.

(56) **References Cited**
U.S. PATENT DOCUMENTS

D492,754 S * 7/2004 Blattner D23/238

D513,635 S * 1/2006 Haug D23/238
D514,664 S * 2/2006 Starck D23/238
D580,519 S * 11/2008 Citterio D23/238

* cited by examiner

Primary Examiner — Robert Delehanty
(74) *Attorney, Agent, or Firm* — McAndrews Held & Malloy, Ltd.

(57) **CLAIM**
The ornamental design for a faucet and handle set, as shown and described.

DESCRIPTION

FIG. 1 is a top front left perspective view of a faucet and handle set showing my new design;
FIG. 2 is a left side elevation view thereof;
FIG. 3 is a right side elevation view thereof;
FIG. 4 is a front elevation view thereof;
FIG. 5 is a rear elevation view thereof;
FIG. 6 is a top plan view thereof; and,
FIG. 7 is a bottom plan view thereof.
The dashed broken lines are for environmental purposes only and form no part of the claimed design. The positioning of the faucet relative to the handle forms no part of the claimed design.

1 Claim, 7 Drawing Sheets

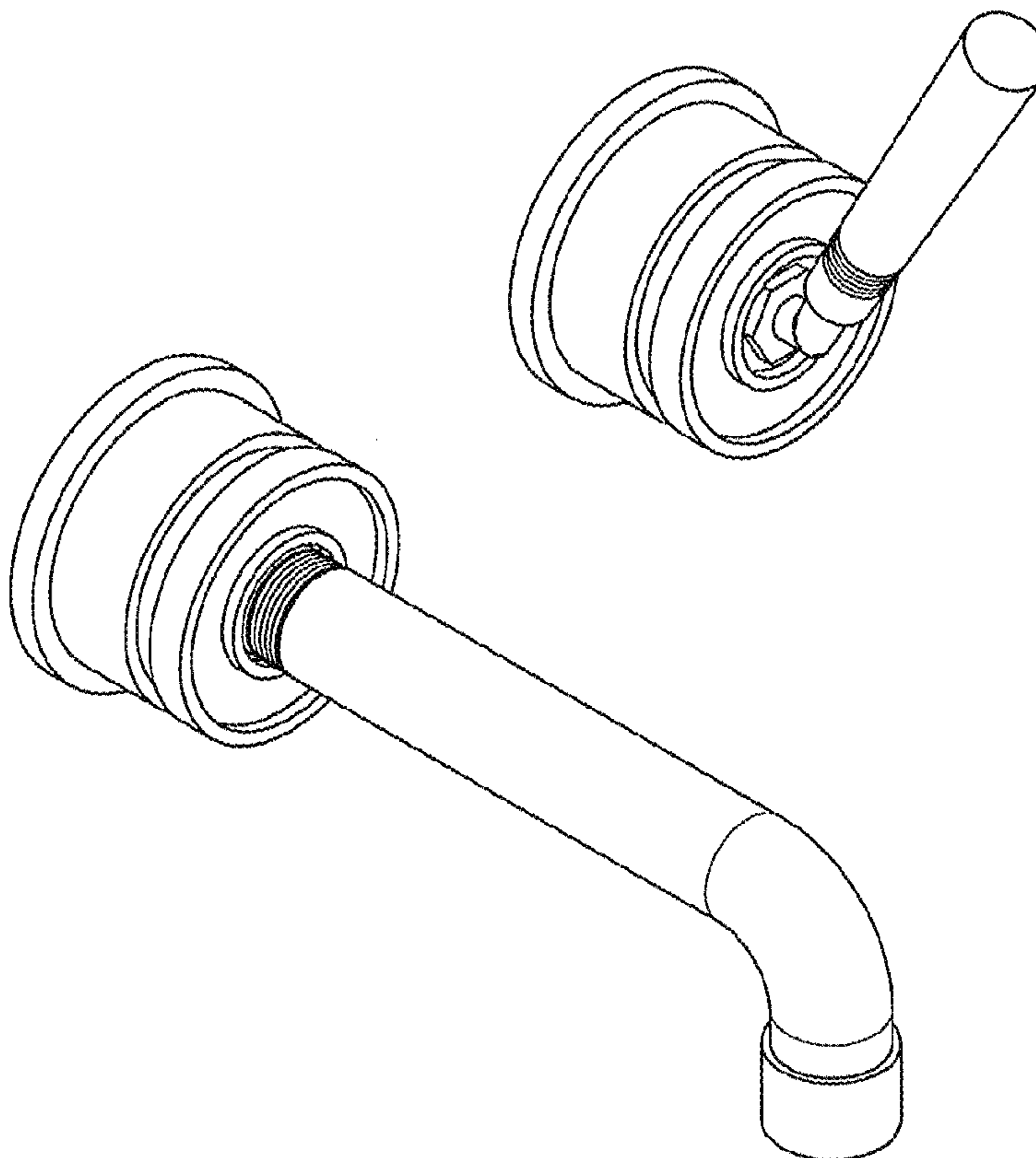


FIG. 1

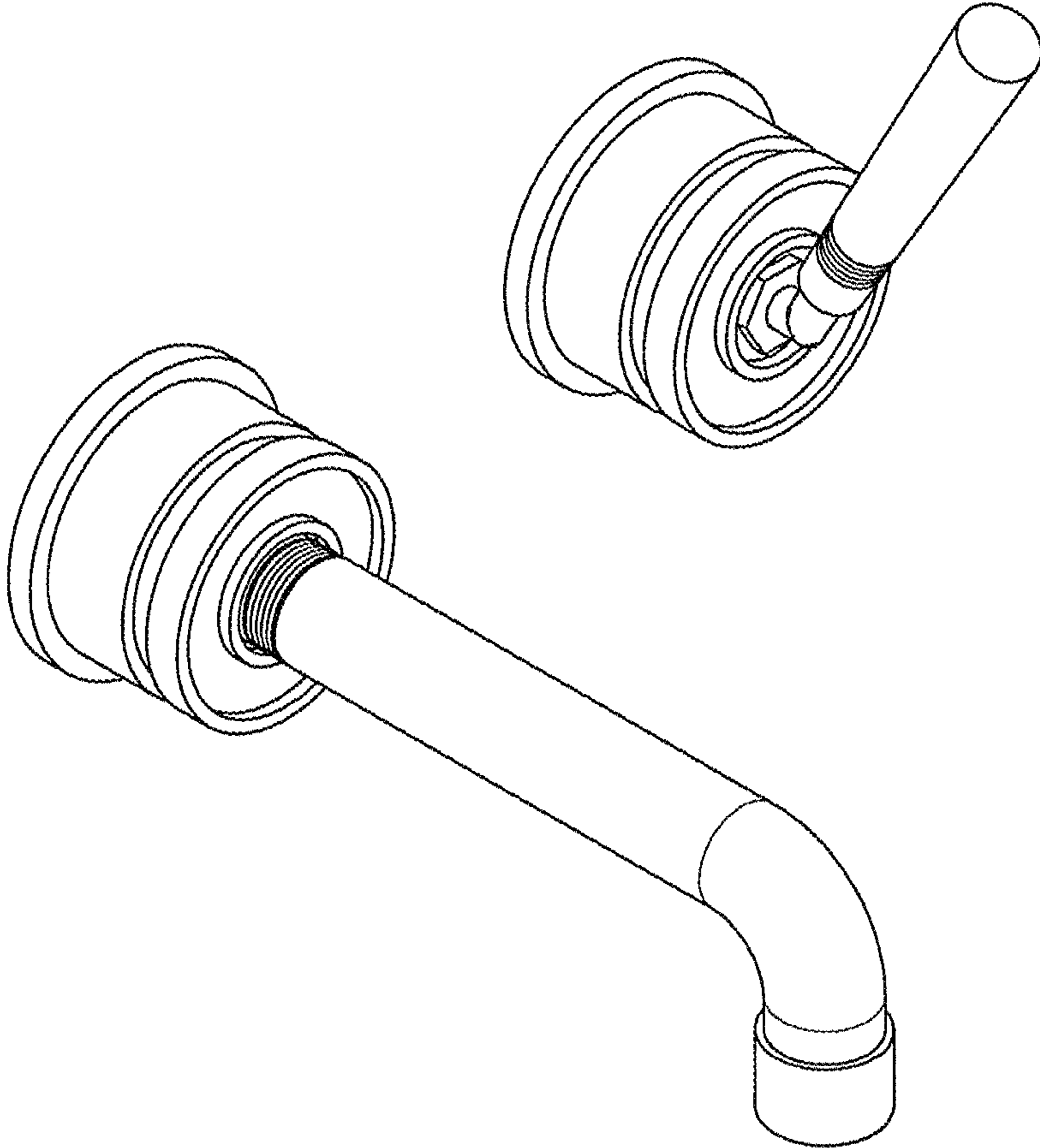


FIG. 2

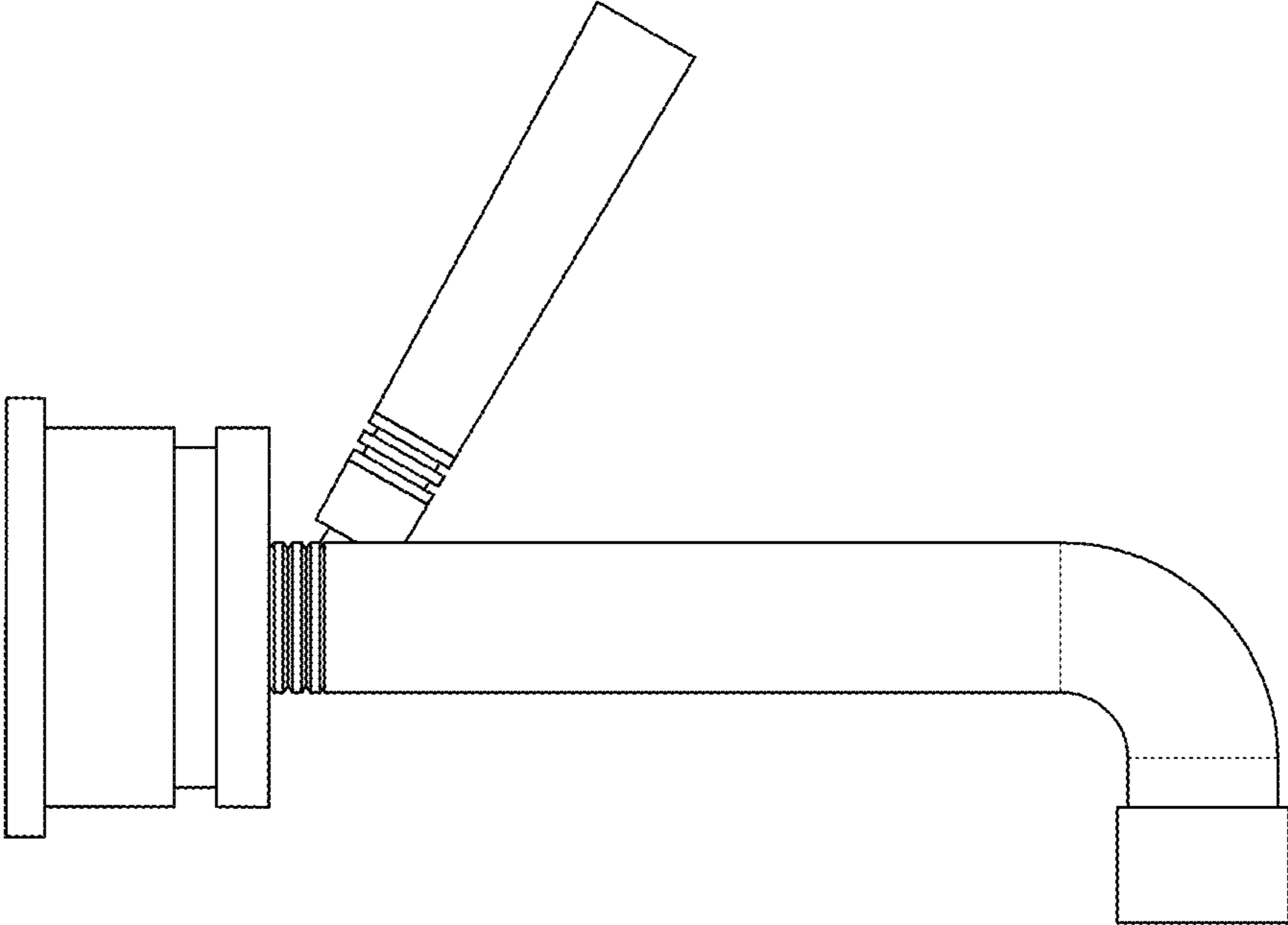


FIG. 3

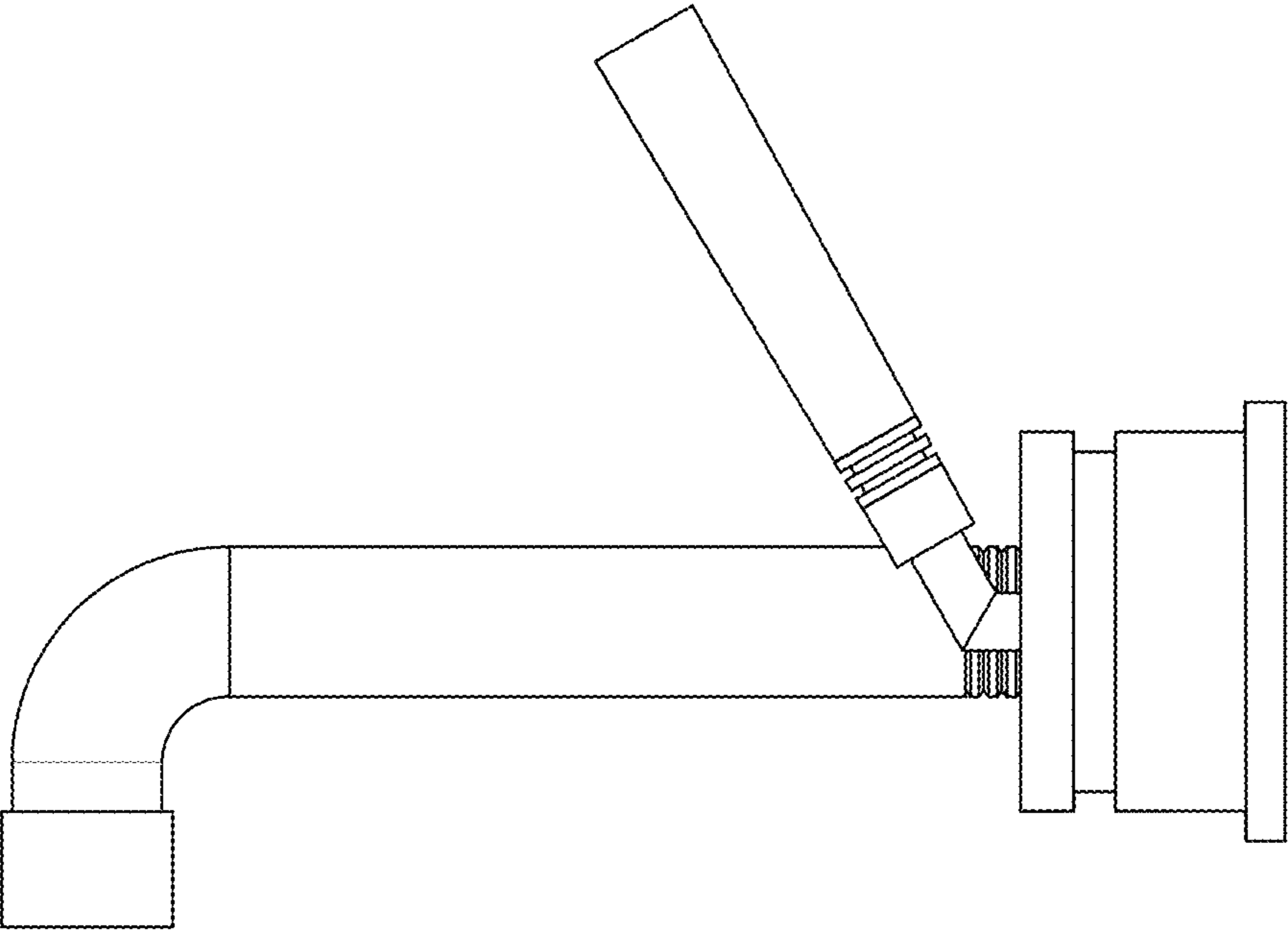


FIG. 4

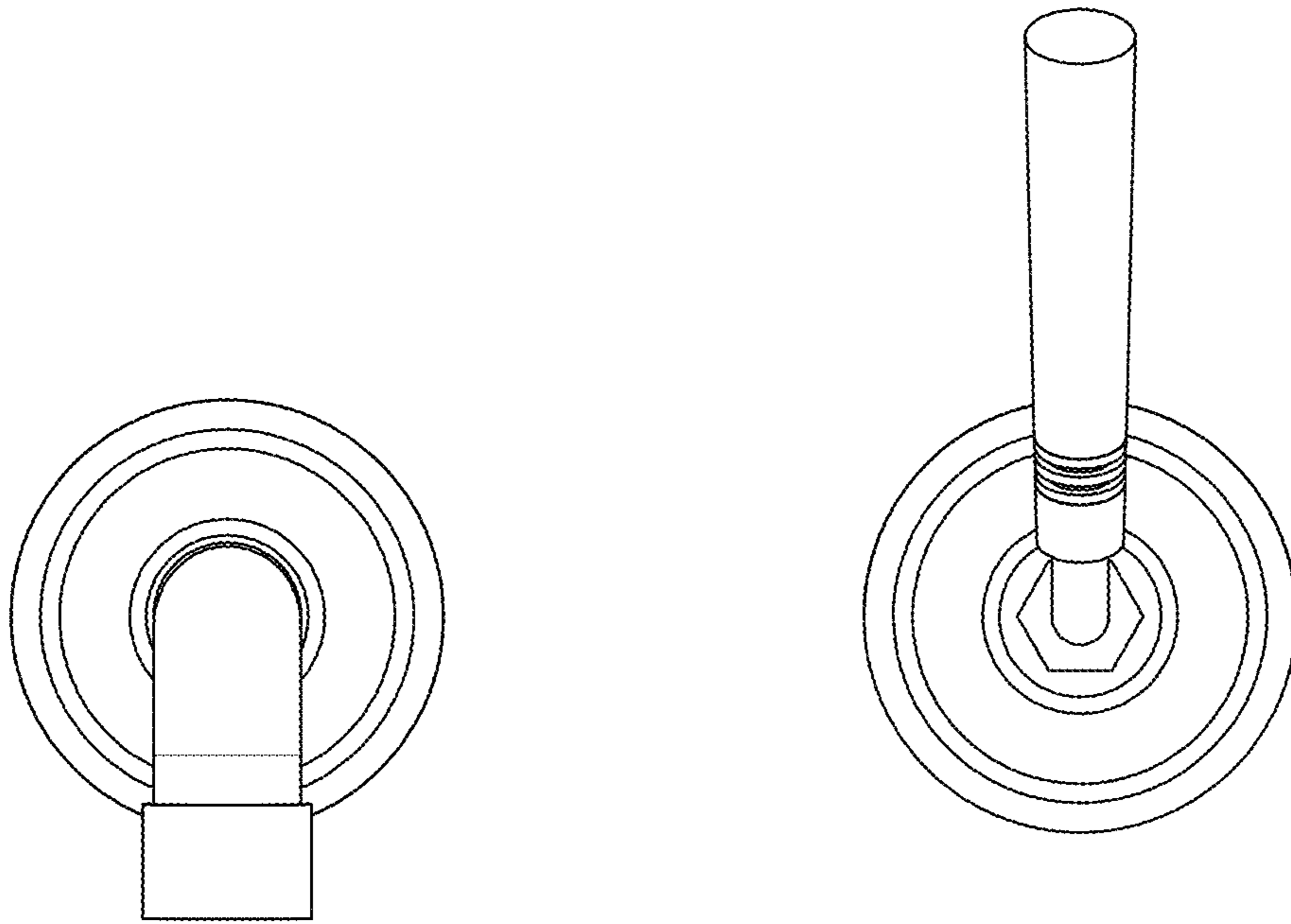


FIG. 5

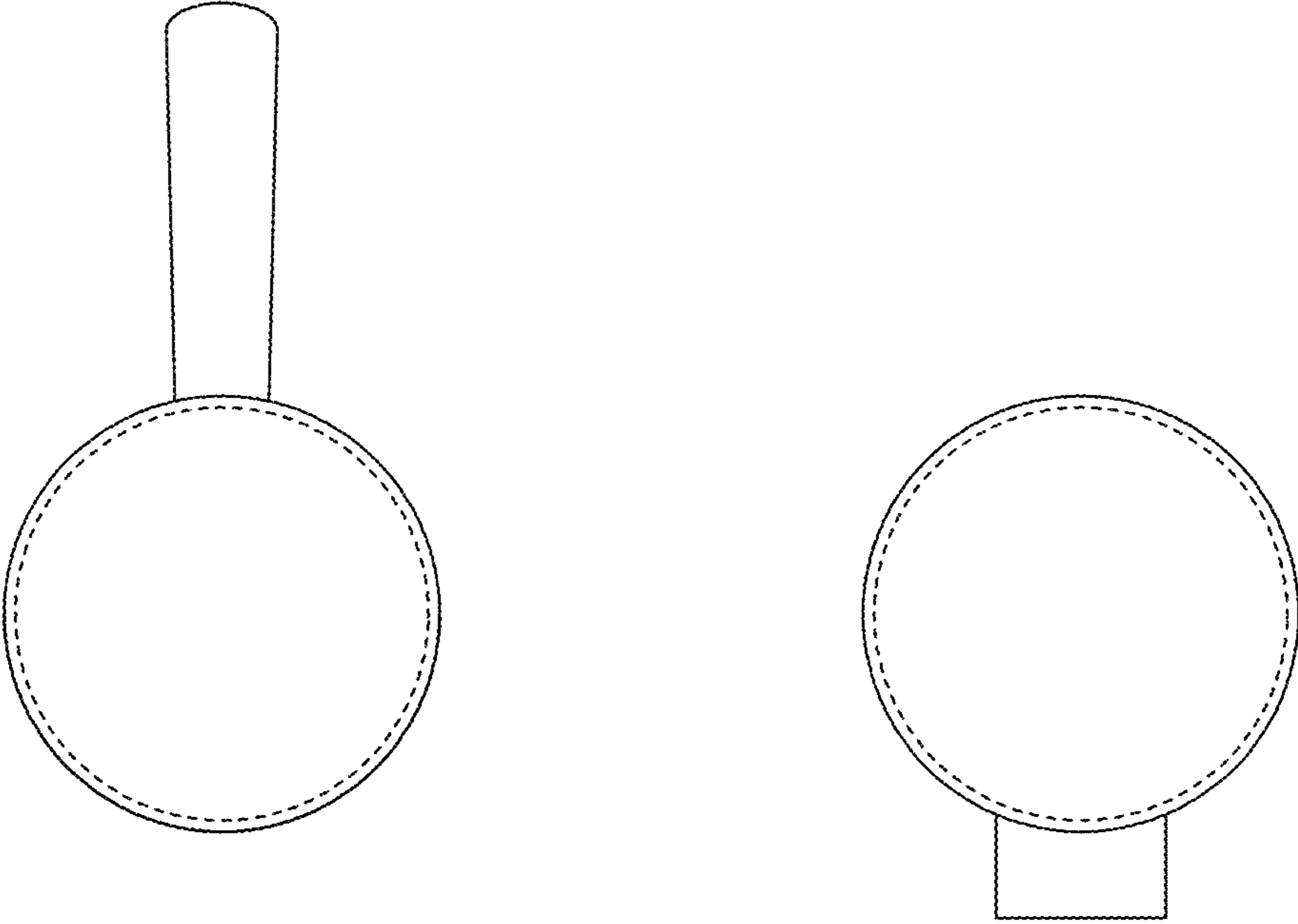


FIG. 6

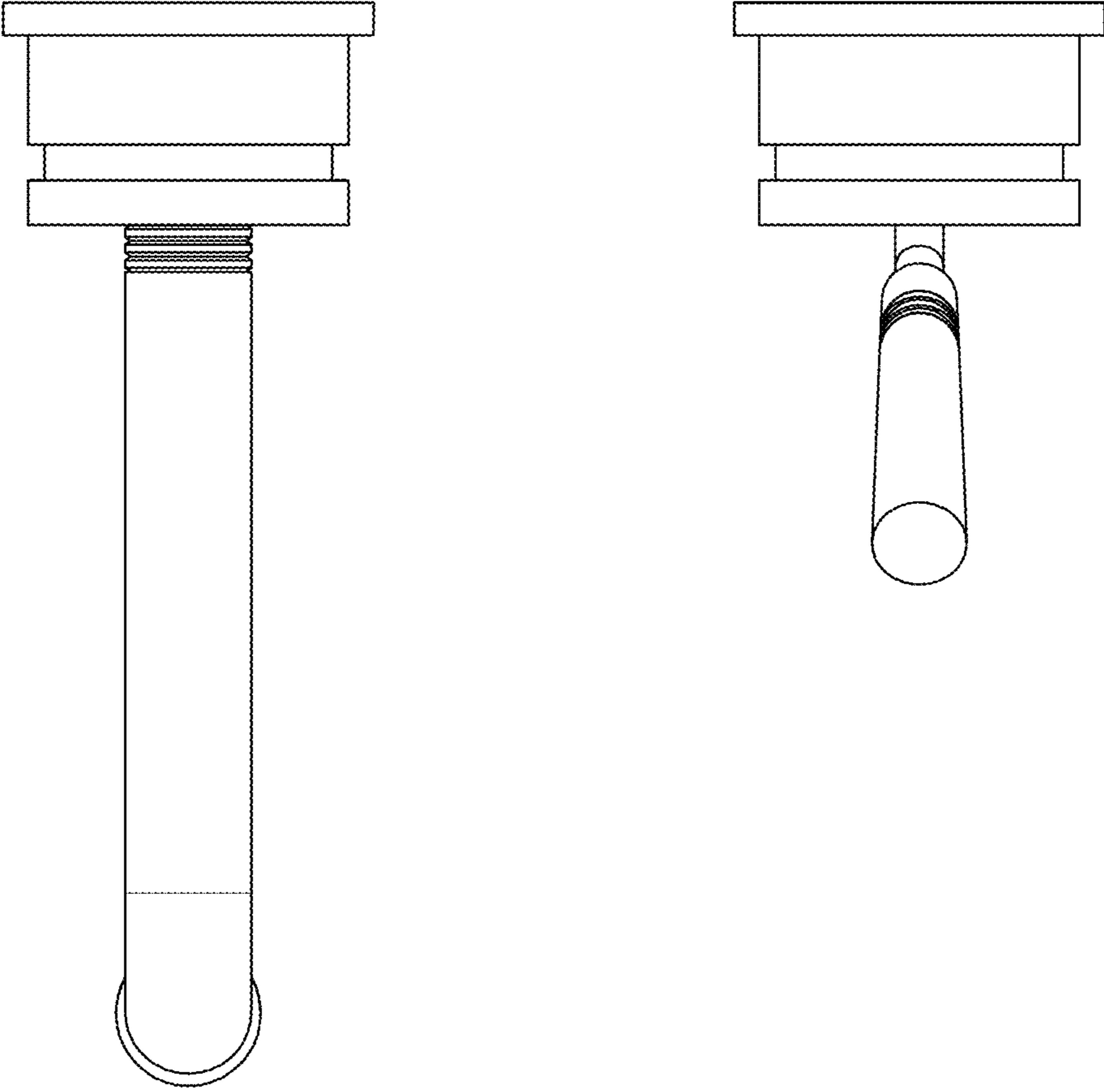


FIG. 7

