



US00D759201S

(12) **United States Design Patent**
Wu

(10) **Patent No.:** **US D759,201 S**
(45) **Date of Patent:** **** Jun. 14, 2016**

(54) **EXTERNAL RECALIBRATION
MAGNIFYING-WINDOW INFLATING GAUGE**

(71) Applicant: **Min Wu**, San Jose, CA (US)

(72) Inventor: **Min Wu**, San Jose, CA (US)

(**) Term: **14 Years**

(21) Appl. No.: **29/525,344**

(22) Filed: **Apr. 29, 2015**

(51) **LOC (10) Cl.** **15-02**

(52) **U.S. Cl.**
USPC **D23/231; D15/7**

(58) **Field of Classification Search**
USPC D23/231, 232; D15/7; D10/86;
417/415-417; 141/38-41
CPC F04B 35/045
See application file for complete search history.

(56) **References Cited**

U.S. PATENT DOCUMENTS

1,709,966 A * 4/1929 Armistead B67D 7/46
141/41
4,658,869 A * 4/1987 Soon-Fu B60S 5/043
137/227

D323,876 S * 2/1992 Furusawa D23/231
5,316,055 A * 5/1994 Brimmer B60S 5/04
141/17
D351,645 S * 10/1994 Furusawa D23/231
5,386,857 A * 2/1995 Fogal, Sr. B60C 19/00
141/100
D510,124 S * 9/2005 Hunt D23/231
D596,202 S * 7/2009 van der Blom D10/86
8,161,742 B2 * 4/2012 Sweeney F04B 35/045
60/476

* cited by examiner

Primary Examiner — Robin V Webster

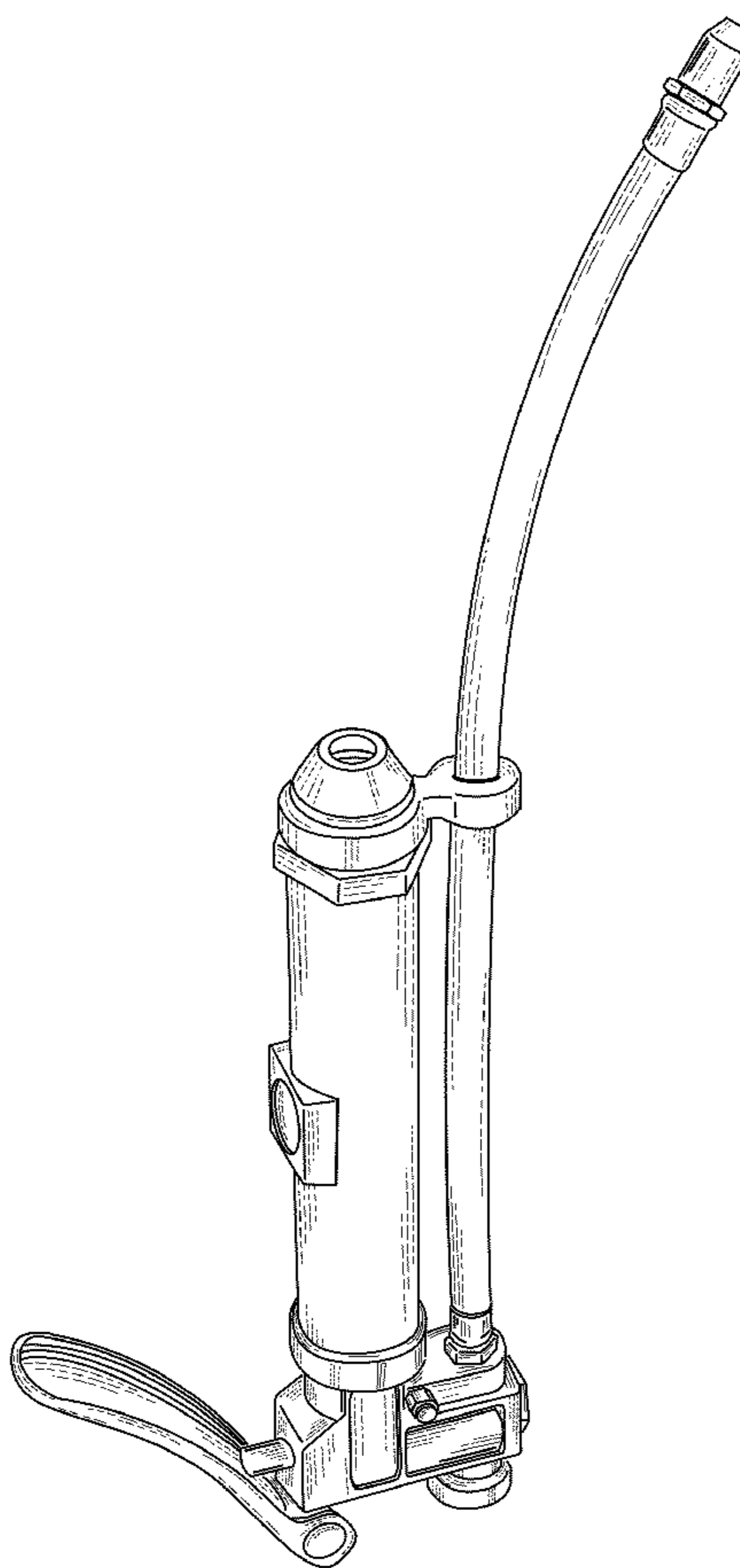
(57) **CLAIM**

The ornamental design for an external recalibration magnifying-window inflating gauge, as shown and described.

DESCRIPTION

FIG. 1 is a perspective view of an external recalibration magnifying-window inflating gauge showing my new design; FIG. 2 is a front elevational view thereof; FIG. 3 is a rear elevational view thereof; FIG. 4 is a right side elevational view thereof; FIG. 5 is a left side elevational view thereof; FIG. 6 is a top plan view thereof; and, FIG. 7 is a bottom plan view thereof.

1 Claim, 7 Drawing Sheets



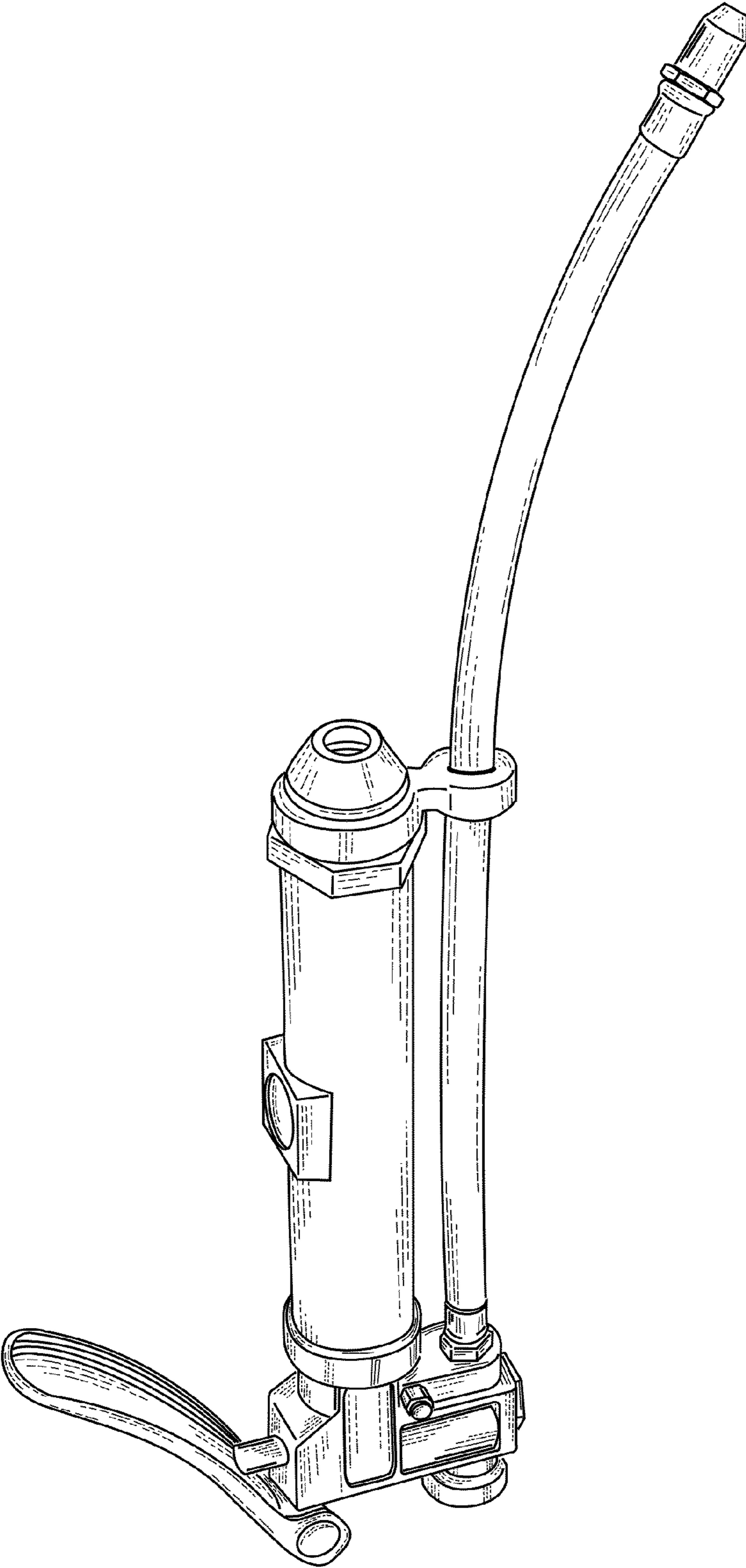


FIG. 1

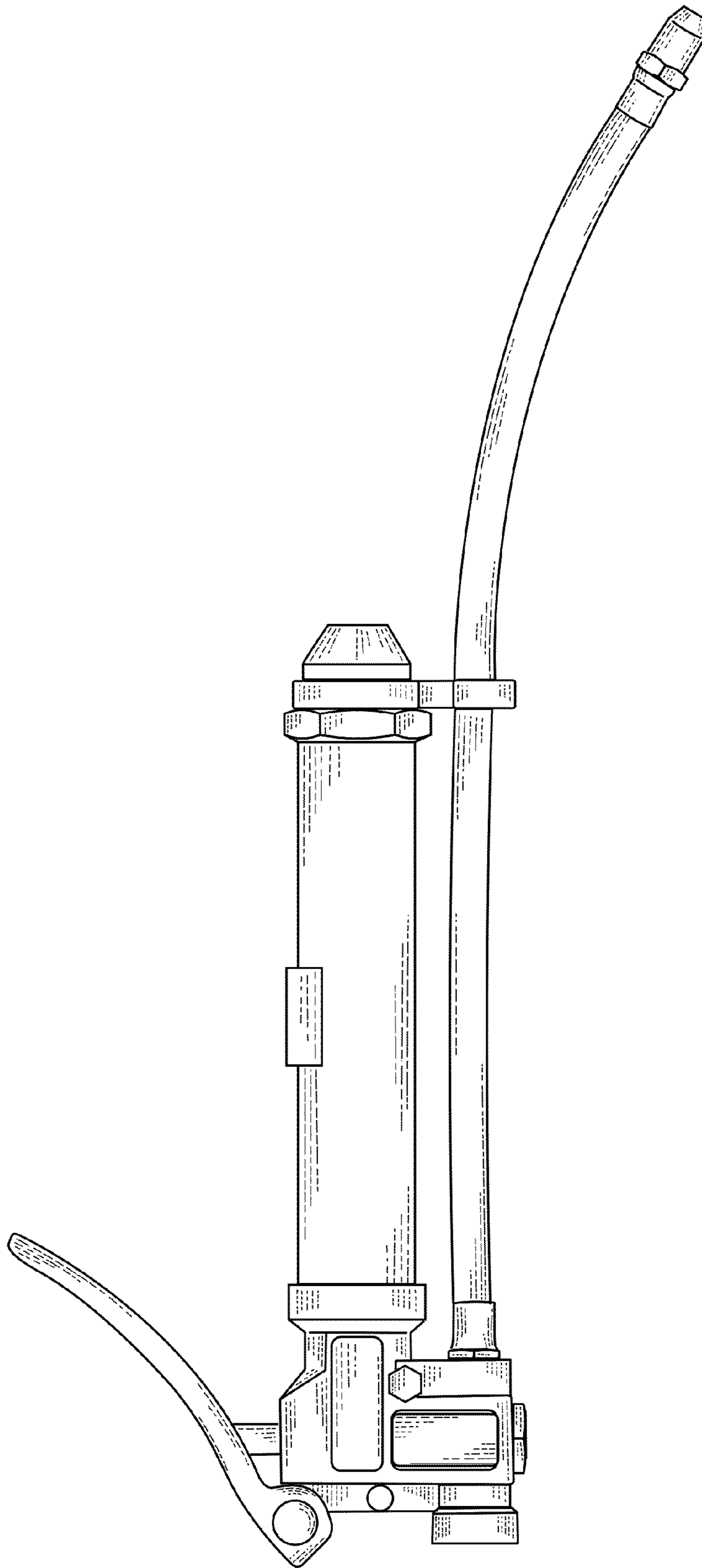


FIG. 2

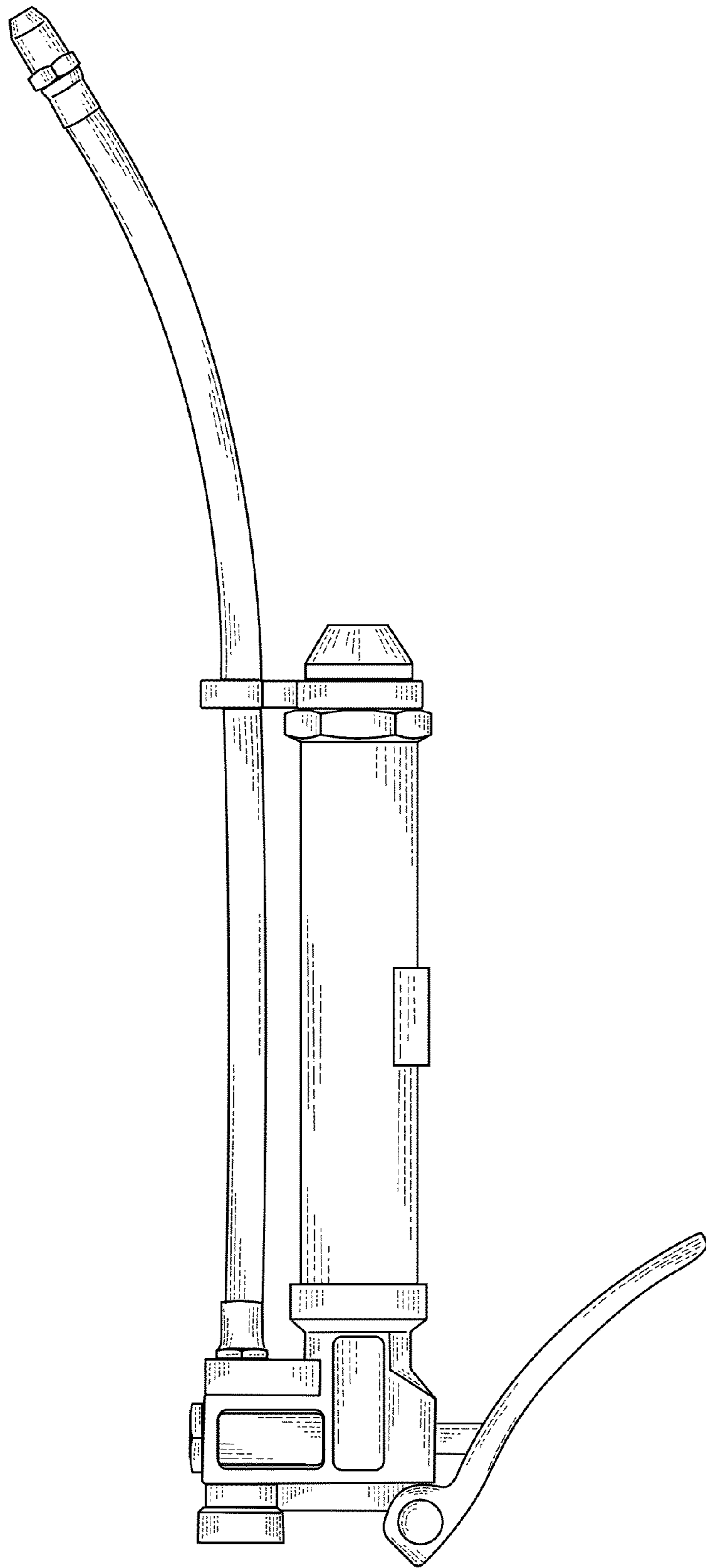


FIG. 3

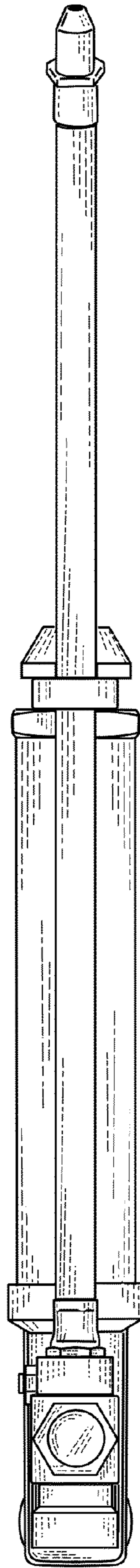


FIG. 4

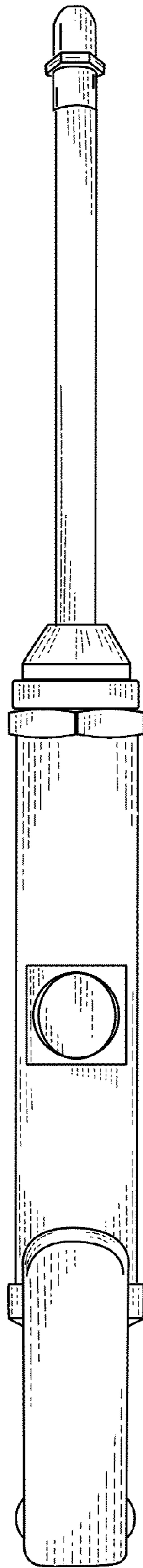


FIG. 5

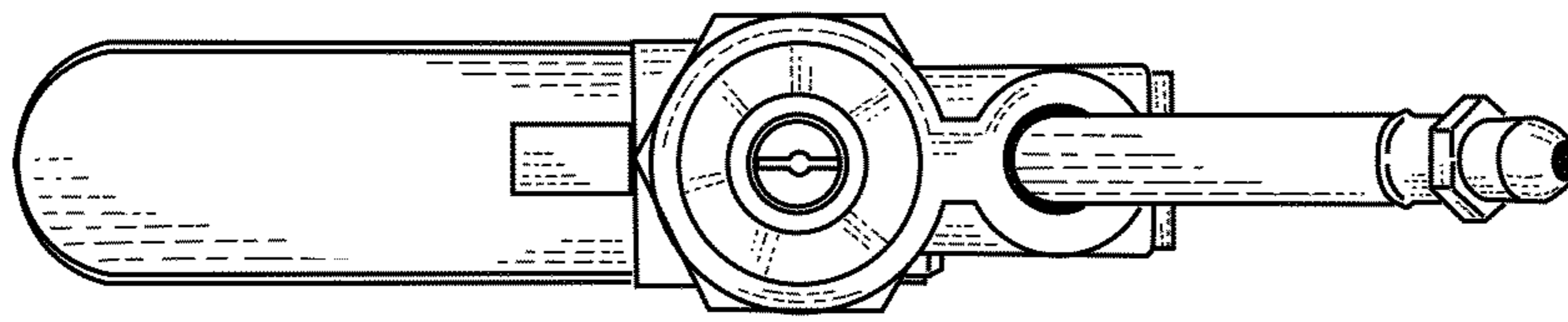


FIG. 6

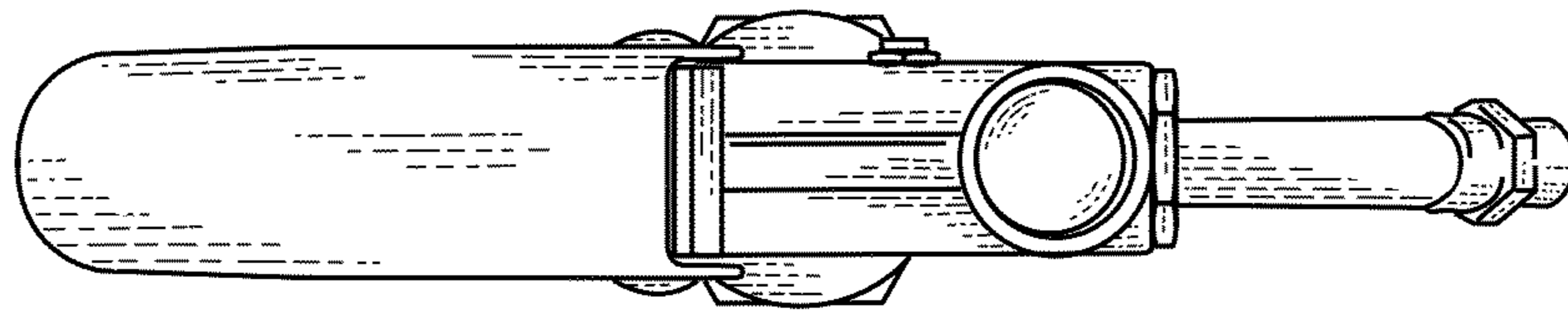


FIG. 7