

US00D759200S

(12) **United States Design Patent**  
**Tiberghien et al.**

(10) **Patent No.:** **US D759,200 S**  
(45) **Date of Patent:** **\*\* Jun. 14, 2016**

(54) **PNEUMATIC BLOW GUN**  
(71) Applicant: **STAUBLI FAVERGES**, Faverges (FR)  
(72) Inventors: **Alain-Christophe Tiberghien**, Sevrier (FR); **Antoine Chambaud**, Giez (FR)  
(73) Assignee: **STAUBLI FAVERGES**, Faverges (FR)  
(\*\*) Term: **14 Years**

D387,129 S \* 12/1997 Shiao ..... D23/213  
6,213,411 B1 \* 4/2001 Jou ..... F16L 47/24  
239/526  
D482,430 S \* 11/2003 Jou ..... D23/223  
6,663,023 B1 \* 12/2003 Jou ..... B05B 1/005  
239/526  
D542,378 S \* 5/2007 Jou ..... D23/223  
7,591,435 B1 \* 9/2009 Downey ..... B08B 5/02  
239/1  
8,844,845 B2 \* 9/2014 Chen ..... B05B 1/3013  
239/525

(21) Appl. No.: **29/504,155**  
(22) Filed: **Oct. 2, 2014**

\* cited by examiner

*Primary Examiner* — Robin V Webster

(74) *Attorney, Agent, or Firm* — Stephen J. Weyer; Stites & Harbison PLLC

(30) **Foreign Application Priority Data**  
Apr. 11, 2014 (EM) ..... DM/083364  
(51) **LOC (10) Cl.** ..... **23-01**  
(52) **U.S. Cl.**  
USPC ..... **D23/226**  
(58) **Field of Classification Search**  
USPC ..... D23/213, 223, 226; 239/290, 291, 526  
CPC ..... B05B 9/01; B05B 1/005  
See application file for complete search history.

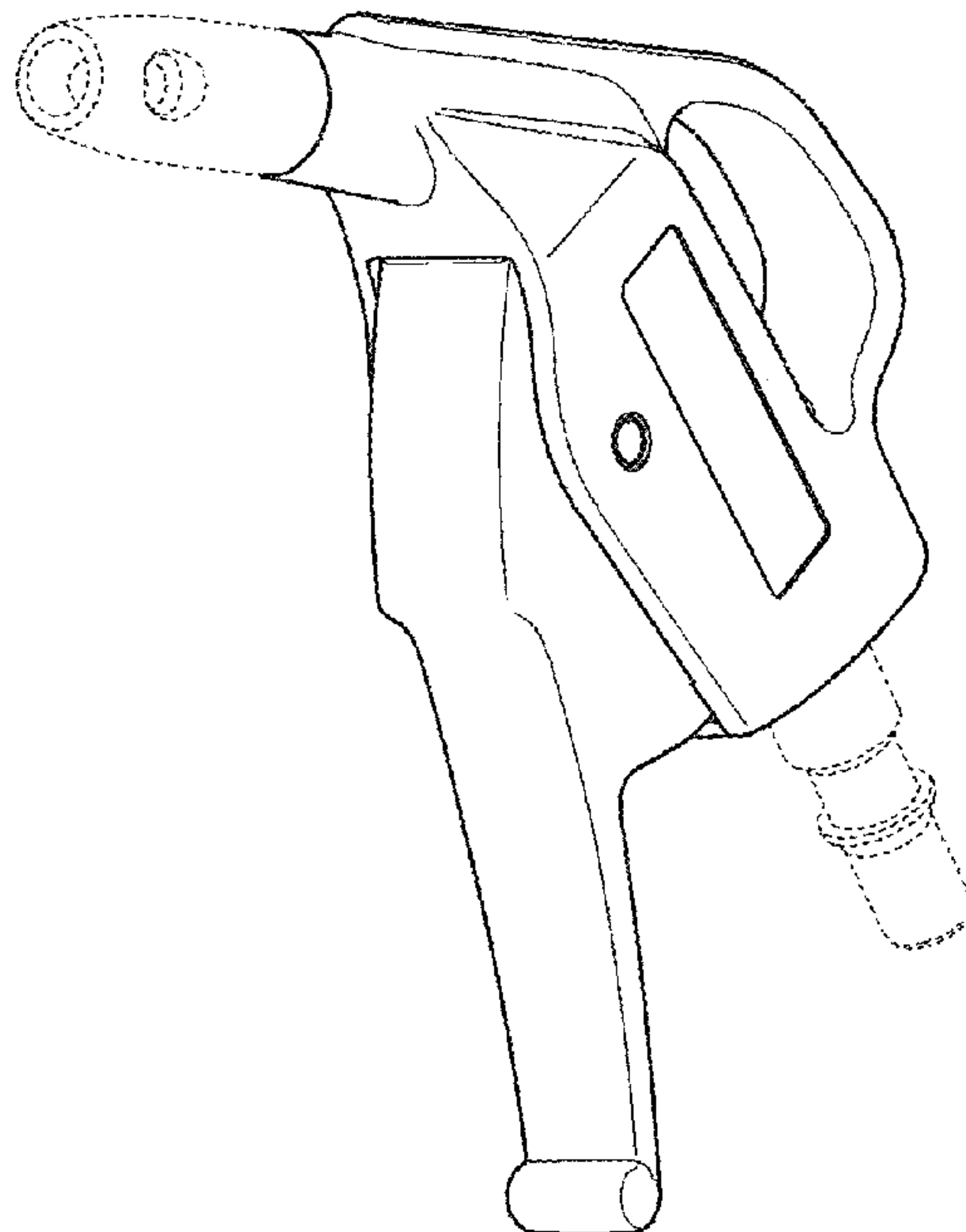
(57) **CLAIM**  
The ornamental design for a pneumatic blow gun, as shown and described.

(56) **References Cited**  
U.S. PATENT DOCUMENTS  
2,783,092 A \* 2/1957 Gavin ..... A47L 9/08  
15/405  
3,780,949 A \* 12/1973 Gavin ..... B05B 1/005  
239/291

**DESCRIPTION**

FIG. 1 is a front and right side perspective view of a pneumatic blow gun showing the new design.  
FIG. 2 is a front view thereof.  
FIG. 3 is rear view thereof.  
FIG. 4 is a right side view thereof.  
FIG. 5 is a left side view thereof.  
FIG. 6 is a top view thereof; and,  
FIG. 7 is a bottom view thereof.  
The broken lines in FIGS. 1-7 are included for the purpose of illustrating environmental structures that form no part of the claimed design.

**1 Claim, 7 Drawing Sheets**



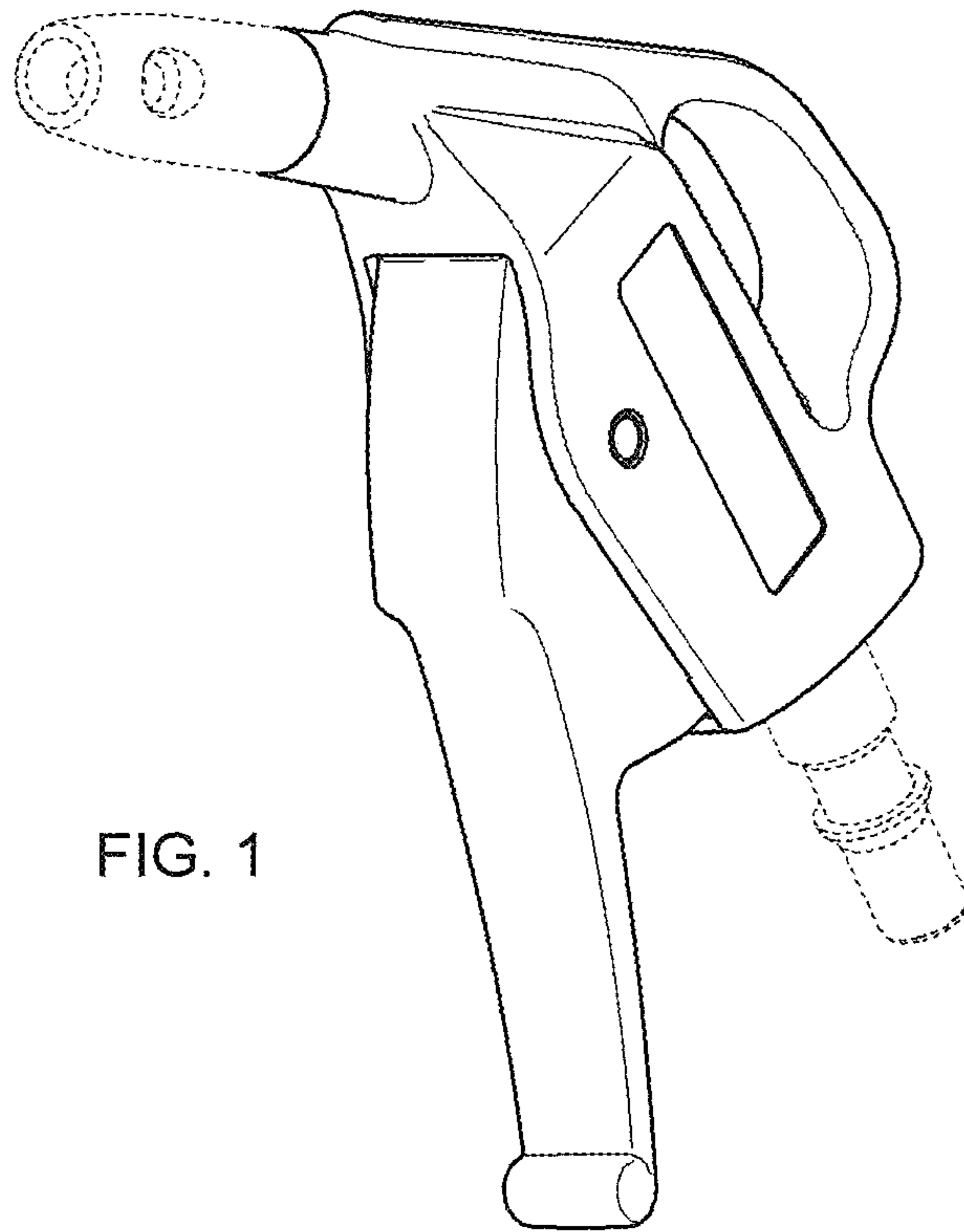


FIG. 1

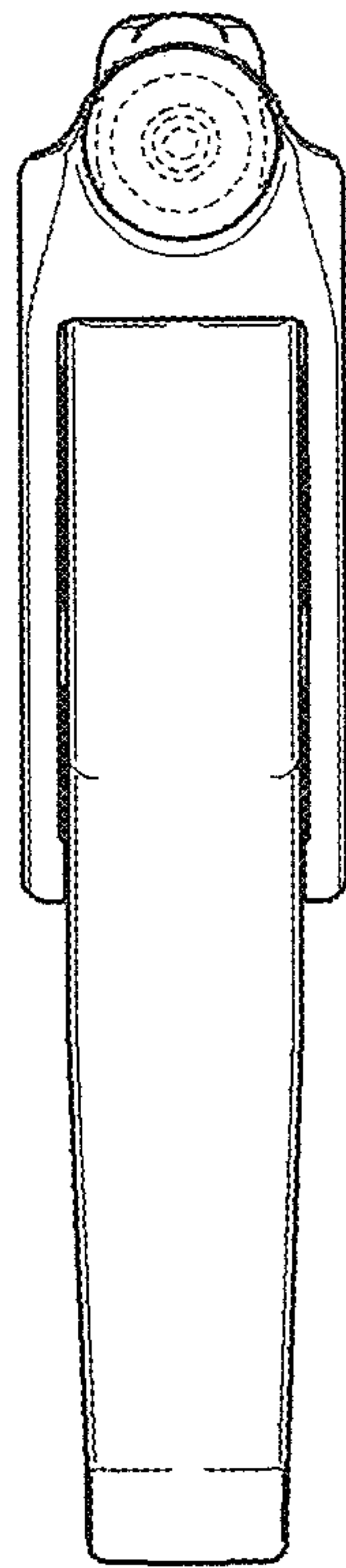


FIG. 2

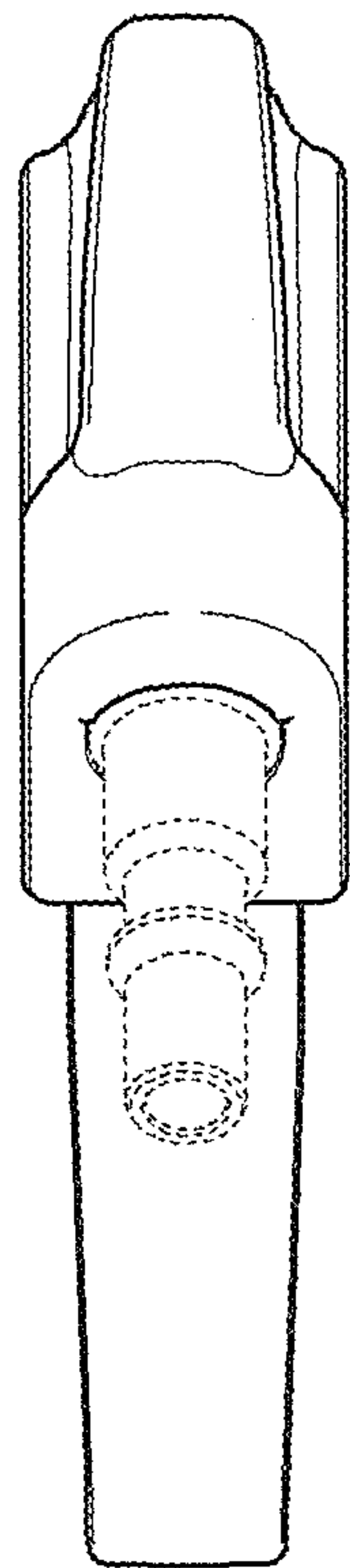


FIG. 3

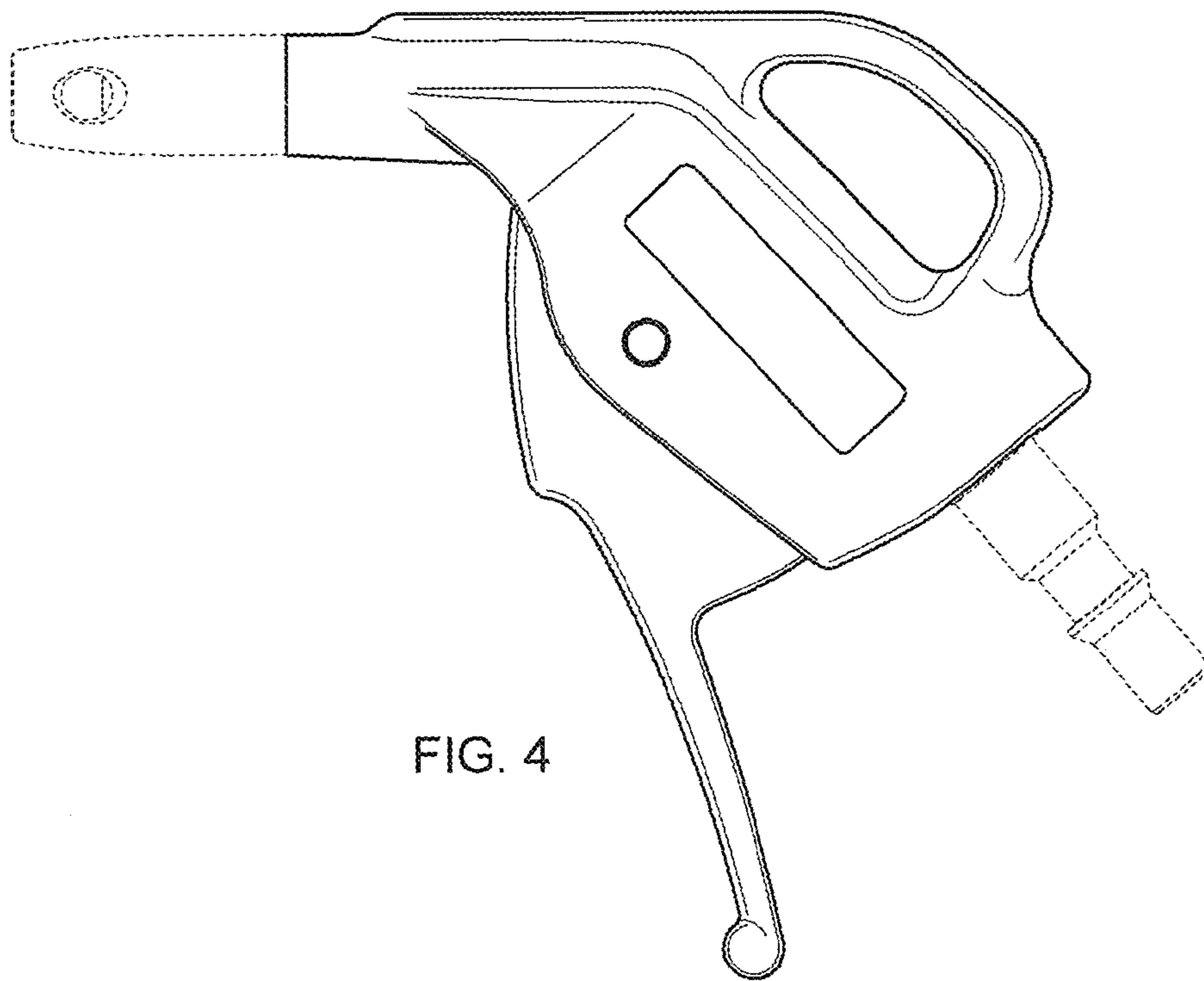


FIG. 4

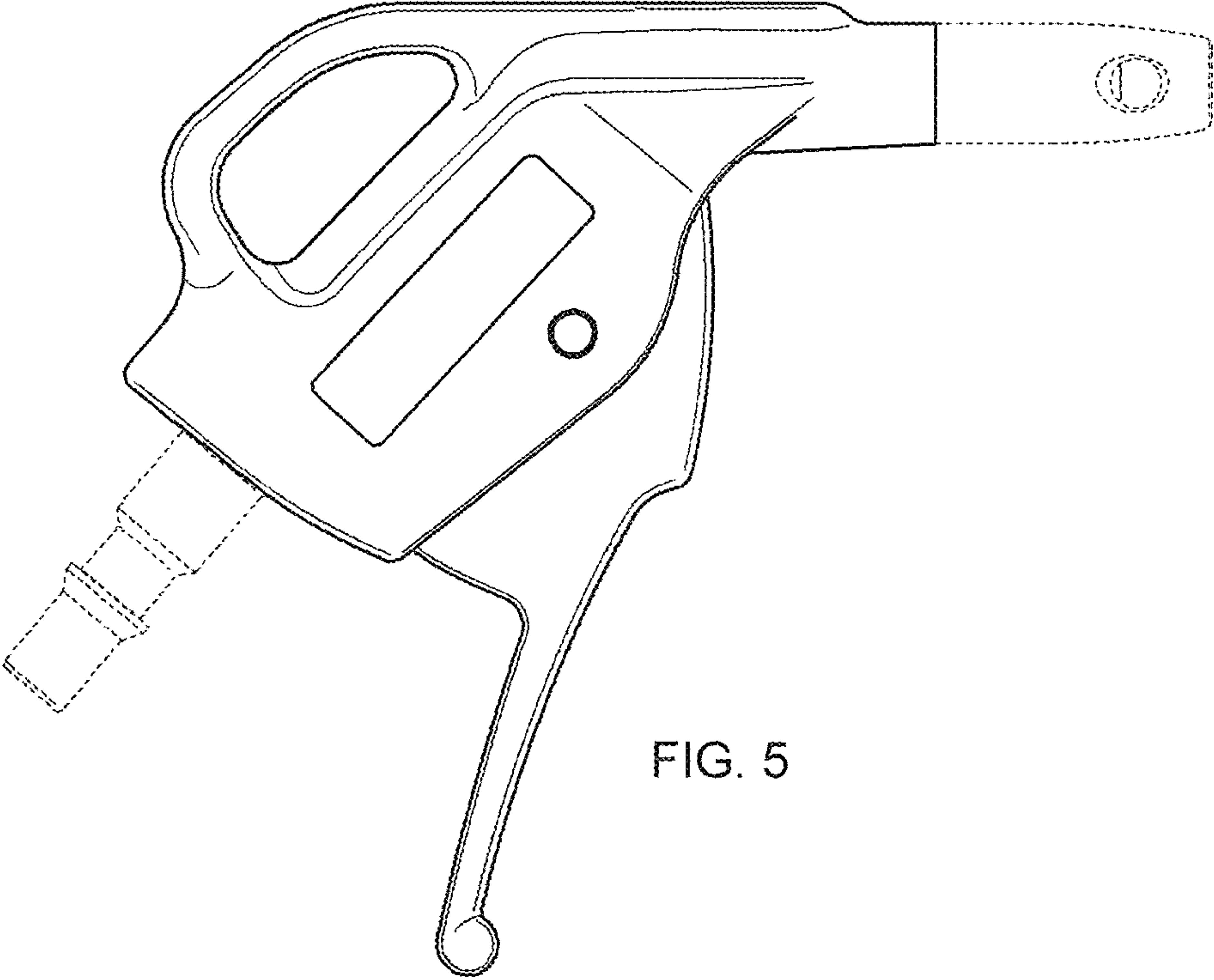


FIG. 5

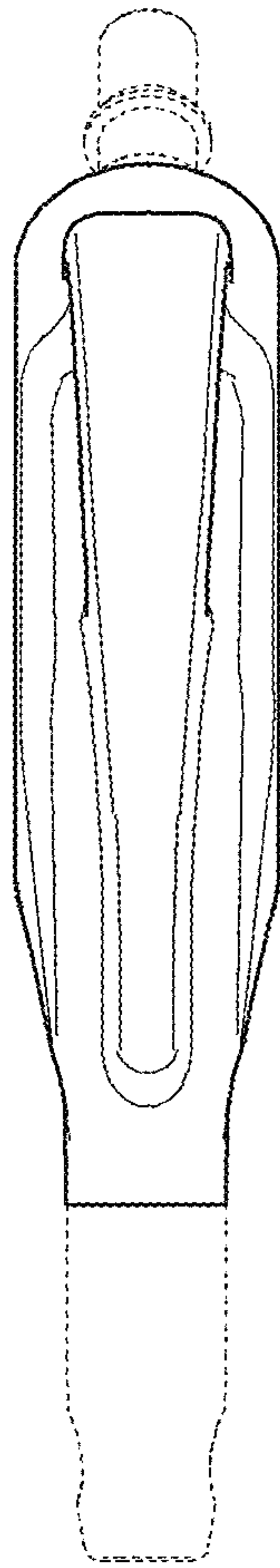
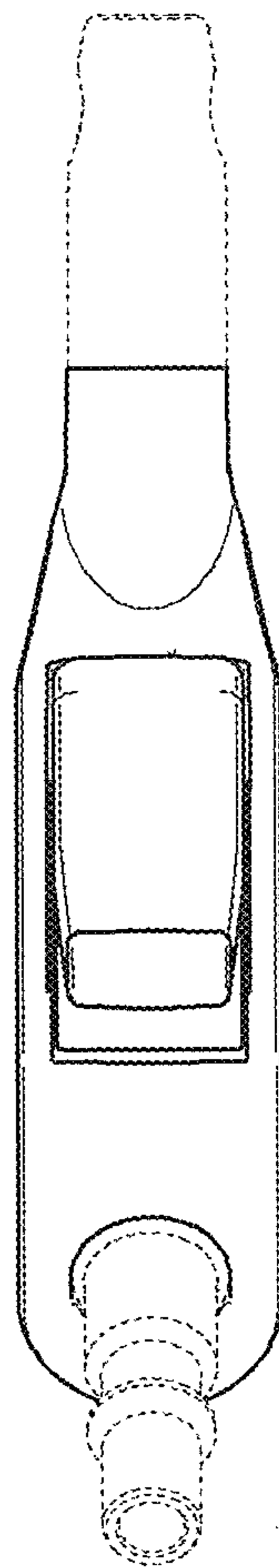


FIG. 6

FIG. 7





UNITED STATES PATENT AND TRADEMARK OFFICE  
**CERTIFICATE OF CORRECTION**

PATENT NO. : D759,200 S  
APPLICATION NO. : 29/504155  
DATED : June 14, 2016  
INVENTOR(S) : Tiberghien et al.

Page 1 of 1

It is certified that error appears in the above-identified patent and that said Letters Patent is hereby corrected as shown below:

On the Title Page

At item (30) please change:

“Apr. 11, 2014 (EM) DM/083364” to -- Apr. 22, 2014 (IB) DM/083364 --

Signed and Sealed this  
Seventh Day of March, 2017



Michelle K. Lee  
*Director of the United States Patent and Trademark Office*