



US00D759199S

(12) **United States Design Patent**
Wrobel et al.

(10) **Patent No.:** **US D759,199 S**
(45) **Date of Patent:** **** Jun. 14, 2016**

(54) **AIRLESS PAINT SPRAYER**

(71) Applicant: **Graco Minnesota Inc.**, Minneapolis,
MN (US)

(72) Inventors: **Steve J. Wrobel**, Rogers, MN (US);
Charles W. Dawson, Big Lake, MN
(US); **Diane L. Olson**, Elk River, MN
(US)

(73) Assignee: **Graco Minnesota Inc.**, Minneapolis,
MN (US)

(**) Term: **14 Years**

(21) Appl. No.: **29/520,562**

(22) Filed: **Mar. 16, 2015**

(51) **LOC (10) Cl.** **23-01**

(52) **U.S. Cl.**
USPC **D23/225**

(58) **Field of Classification Search**
USPC D23/213, 225, 226, 202; 239/332, 308,
239/302
CPC B05B 5/1691; B05B 7/241; B05B 7/2405;
B05B 7/2408; B05B 9/08

See application file for complete search history.

(56) **References Cited**

U.S. PATENT DOCUMENTS

D519,603 S *	4/2006	Schumann	D23/225
D625,775 S	10/2010	Johnson et al.	
D630,708 S	1/2011	Blenkush et al.	
D633,176 S	2/2011	Blenkush et al.	
D651,691 S	1/2012	Muetzel et al.	
D664,628 S *	7/2012	Zhou	D23/225
D692,095 S	10/2013	Hines et al.	

OTHER PUBLICATIONS

Wagner Paintready System Owner's Manual, Jul. 2012.
Titan Protouch Brochure, modified Oct. 21, 2010.
Wagner Optimus Plus Owner's Manual, Jan. 2009.

* cited by examiner

Primary Examiner — Robin V Webster

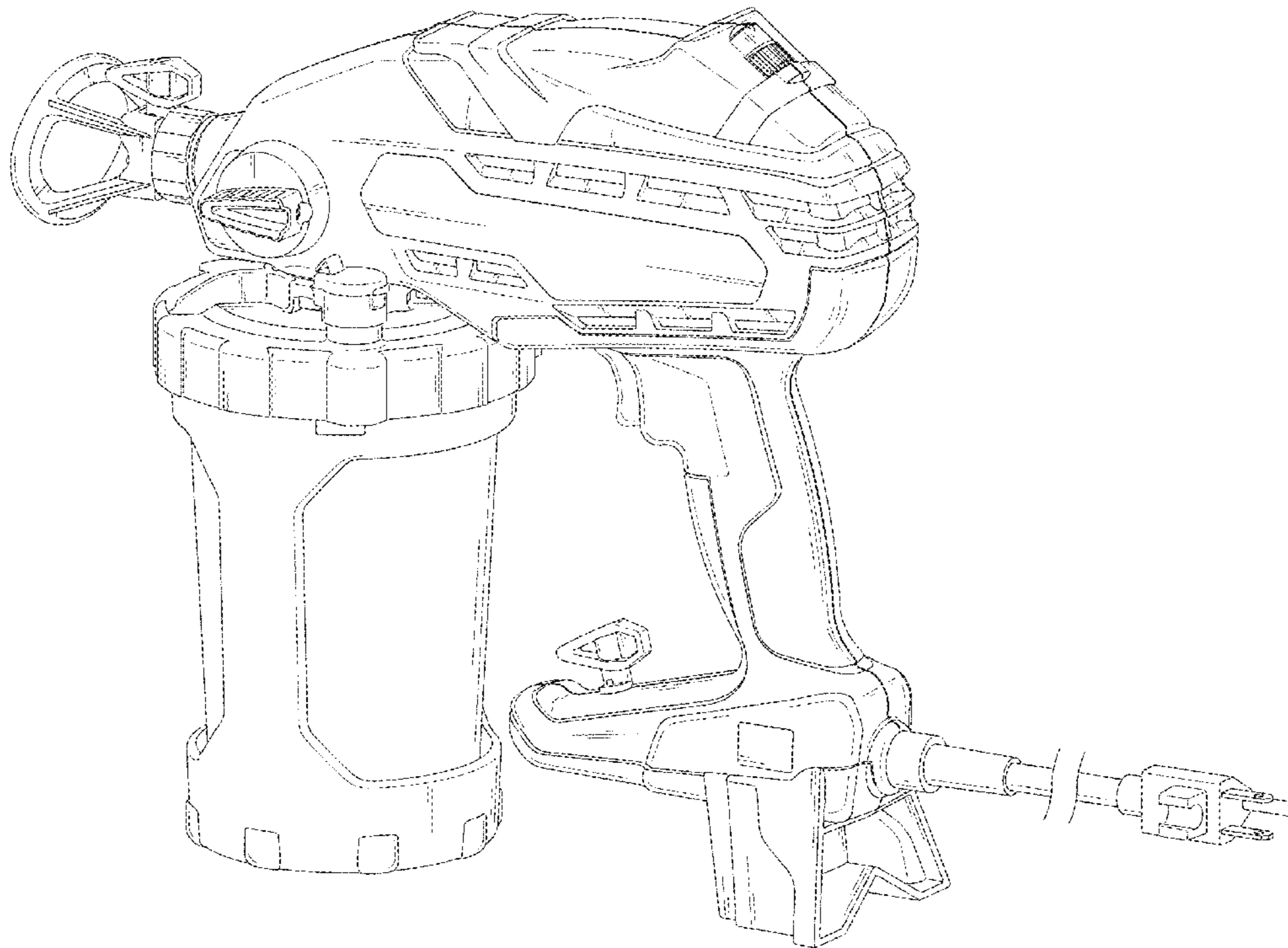
(57) **CLAIM**

The ornamental design for the airless paint sprayer, as shown and described.

DESCRIPTION

FIG. 1 is an isometric view of the airless paint sprayer;
FIG. 2 is a top view thereof;
FIG. 3 is a left side view thereof;
FIG. 4 is a front view thereof;
FIG. 5 is a right view thereof;
FIG. 6 is a rear view thereof; and,
FIG. 7 is a bottom view thereof.
The cord is shown fragmented in FIGS. 1-3, 5 and 7 to indicate non-specified length.

1 Claim, 7 Drawing Sheets



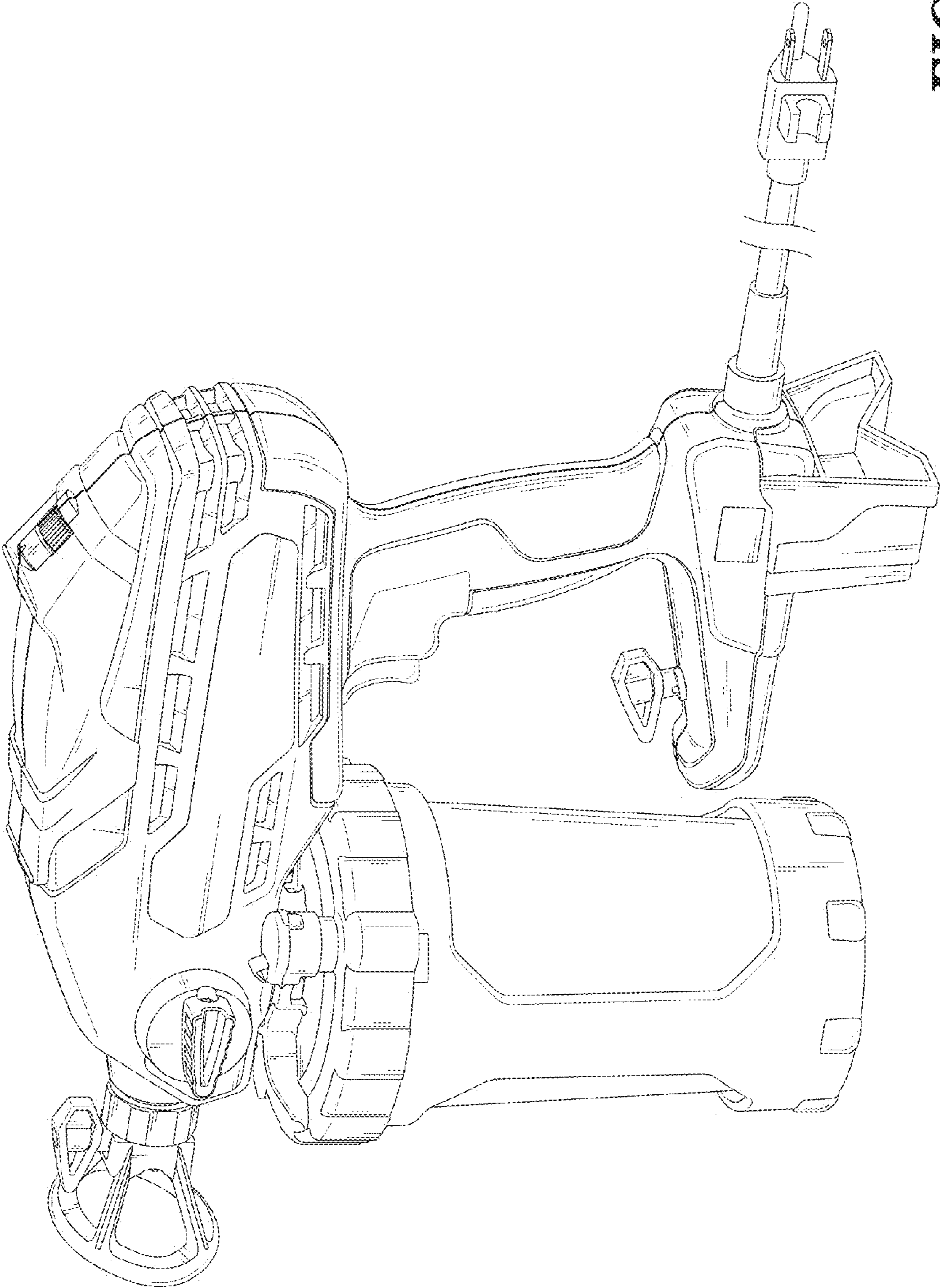


FIG. 1

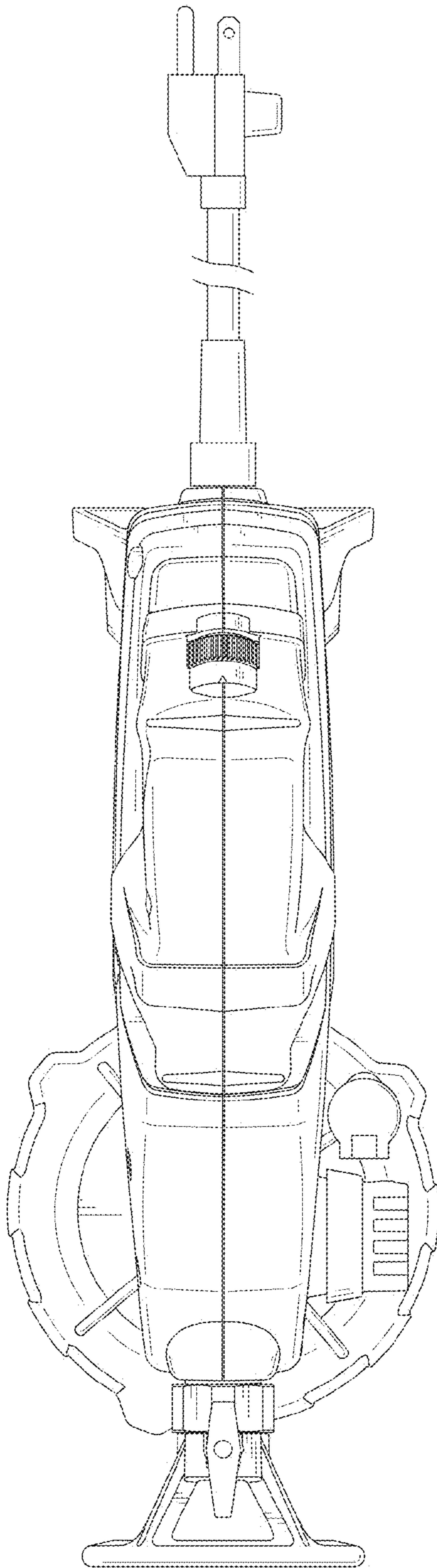


FIG. 2

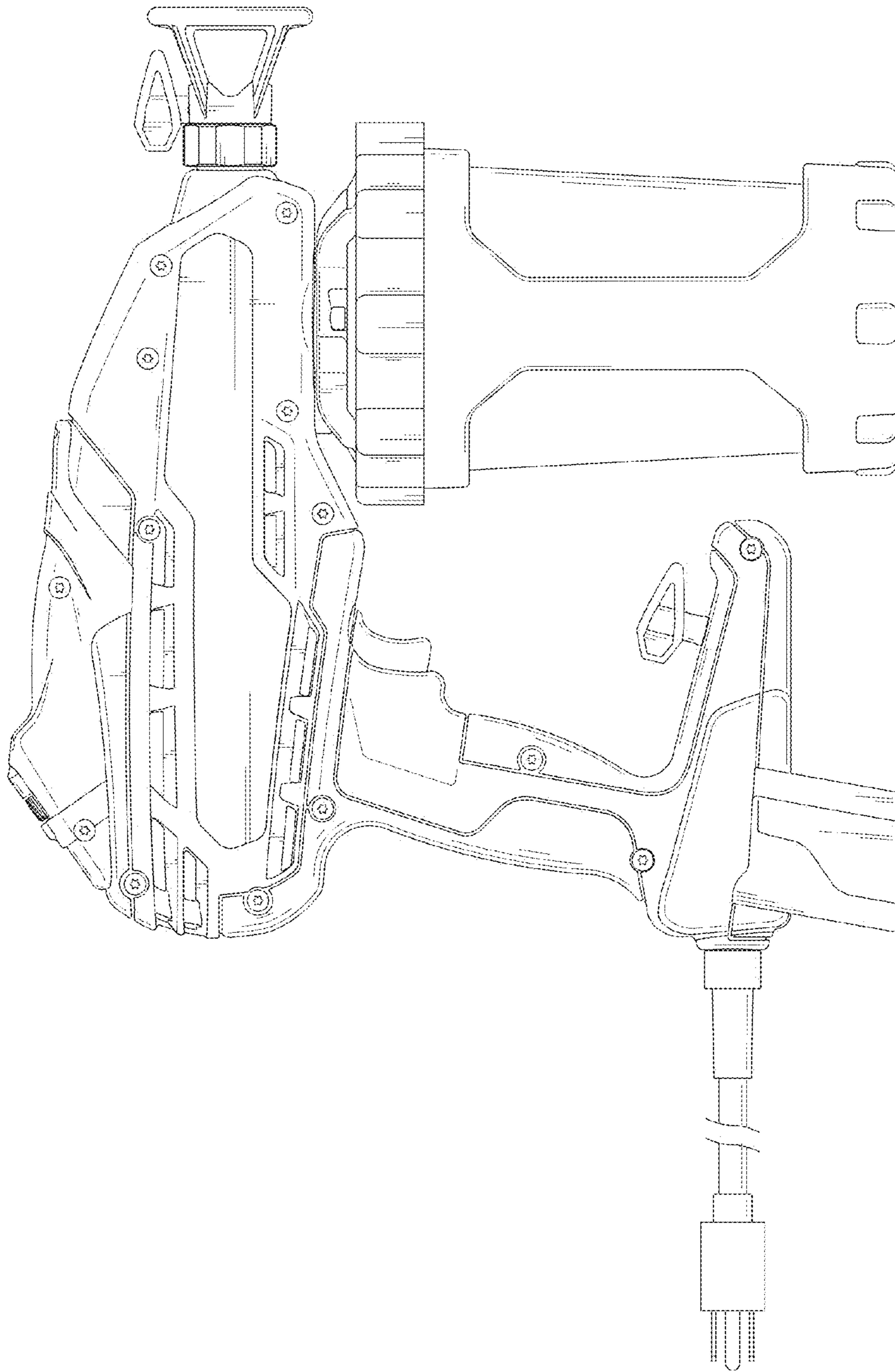


FIG. 3

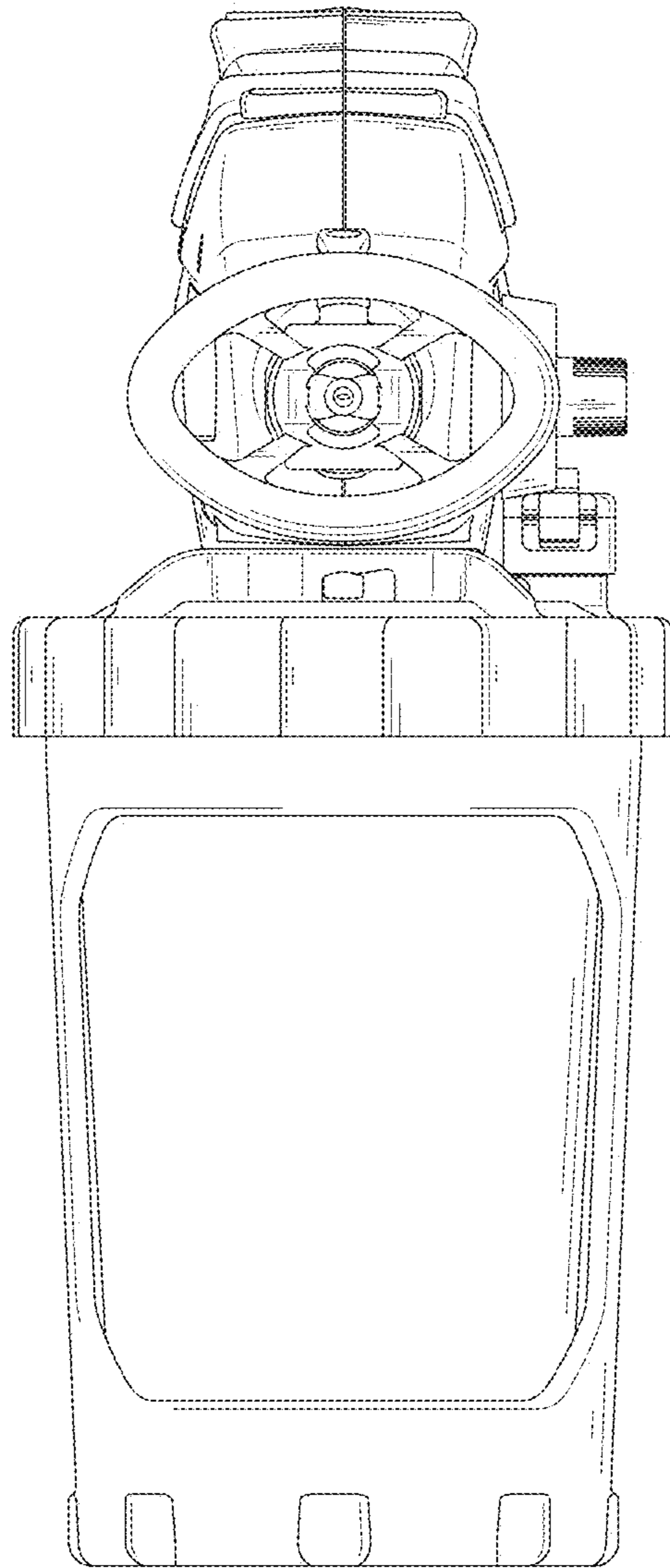


FIG. 4

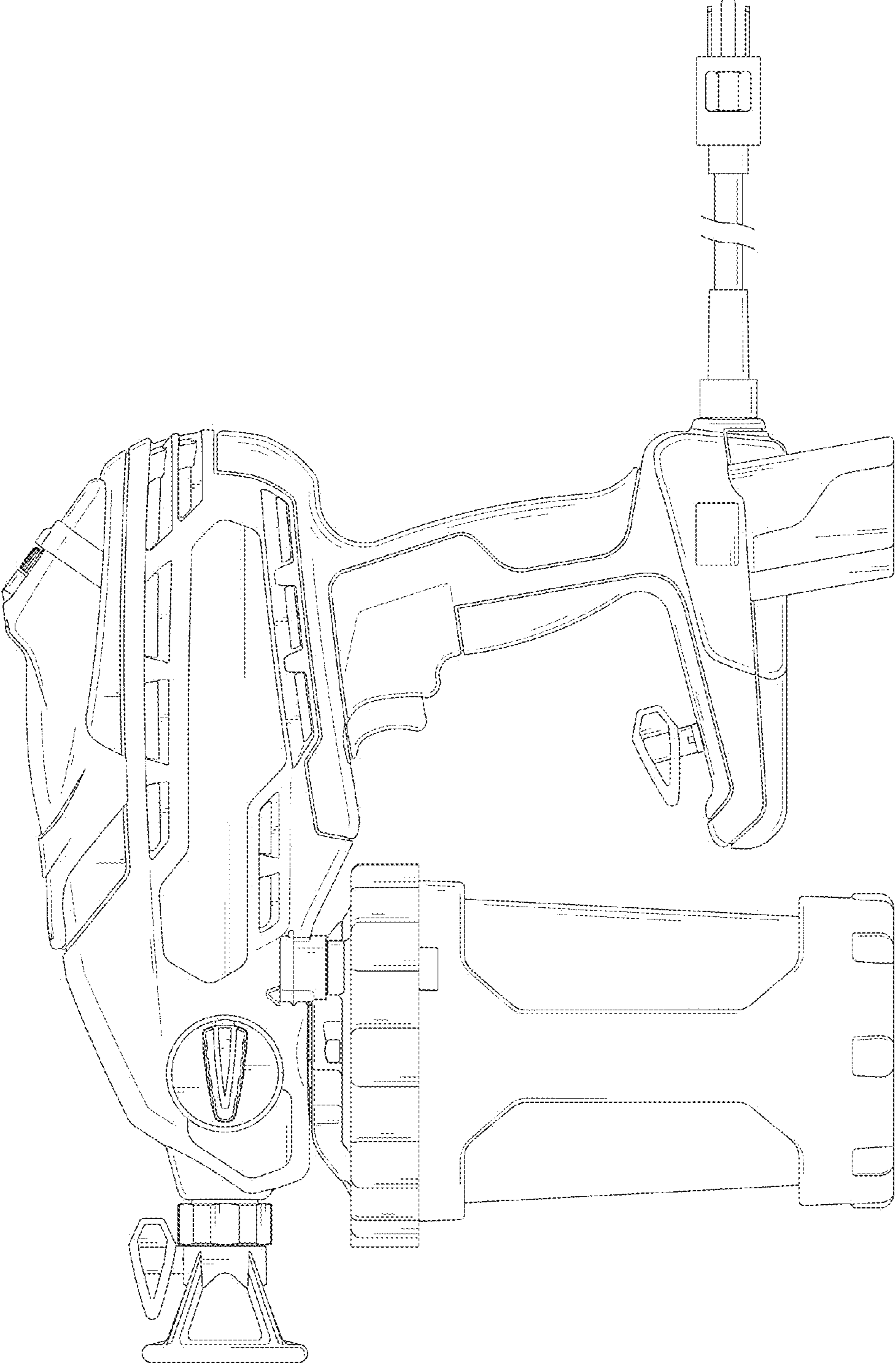


FIG. 5

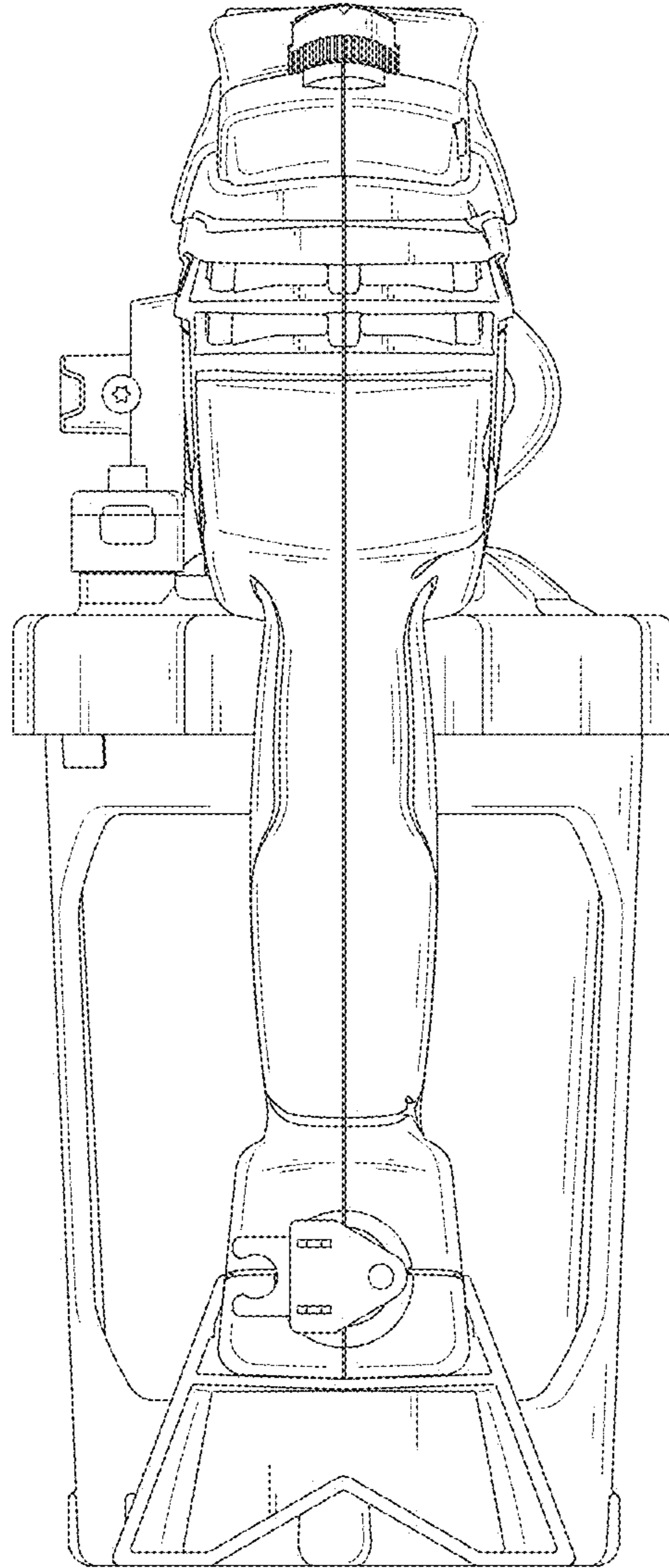


FIG. 6

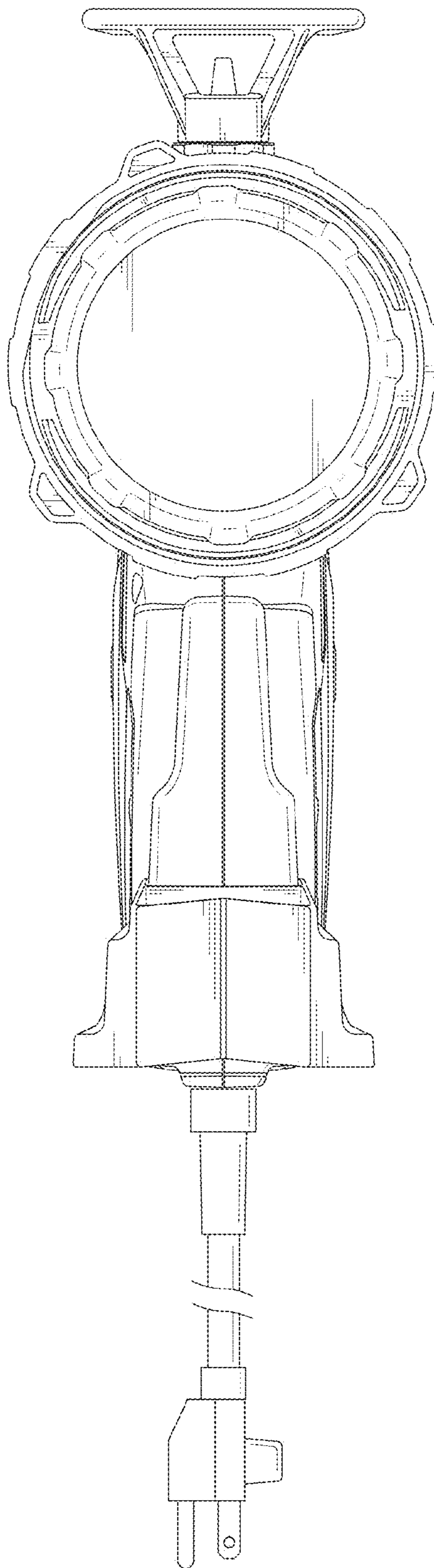


FIG. 7