

US00D759196S

(12) **United States Design Patent**
Wei et al.

(10) **Patent No.:** **US D759,196 S**
(45) **Date of Patent:** **** Jun. 14, 2016**

(54) **WATER FILTRATION DEVICE**

(71) Applicant: **Conopco, Inc.**, Englewood Cliffs, NJ
(US)
(72) Inventors: **Zhang Wei**, Hangzhou (CN); **Chai Wei Hua**, Hangzhou (CN)
(73) Assignee: **Conopco, Inc.**, Englewood Cliffs, NJ
(US)

(**) Term: **14 Years**
(21) Appl. No.: **29/518,485**
(22) Filed: **Feb. 24, 2015**

(30) **Foreign Application Priority Data**

Sep. 1, 2014 (EM) 002528844-0001

(51) **LOC (10) Cl.** **23-01**

(52) **U.S. Cl.**
USPC **D23/209**

(58) **Field of Classification Search**
USPC D23/207, 209; 210/232, 282, 222, 223
CPC C02F 1/002; C02F 2307/02; B01D 25/02
See application file for complete search history.

(56) **References Cited**

U.S. PATENT DOCUMENTS

D273,411 S * 4/1984 Johnson D23/207
D273,412 S * 4/1984 Johnson D23/207
D273,695 S * 5/1984 Johnson D23/207
D273,696 S * 5/1984 Johnson D23/207

OTHER PUBLICATIONS

Co-pending Application: Applicant: Wei et al., Filed: Feb. 24, 2015.
* cited by examiner

Primary Examiner — Robin V Webster
(74) *Attorney, Agent, or Firm* — Greenberg Traurig, LLP

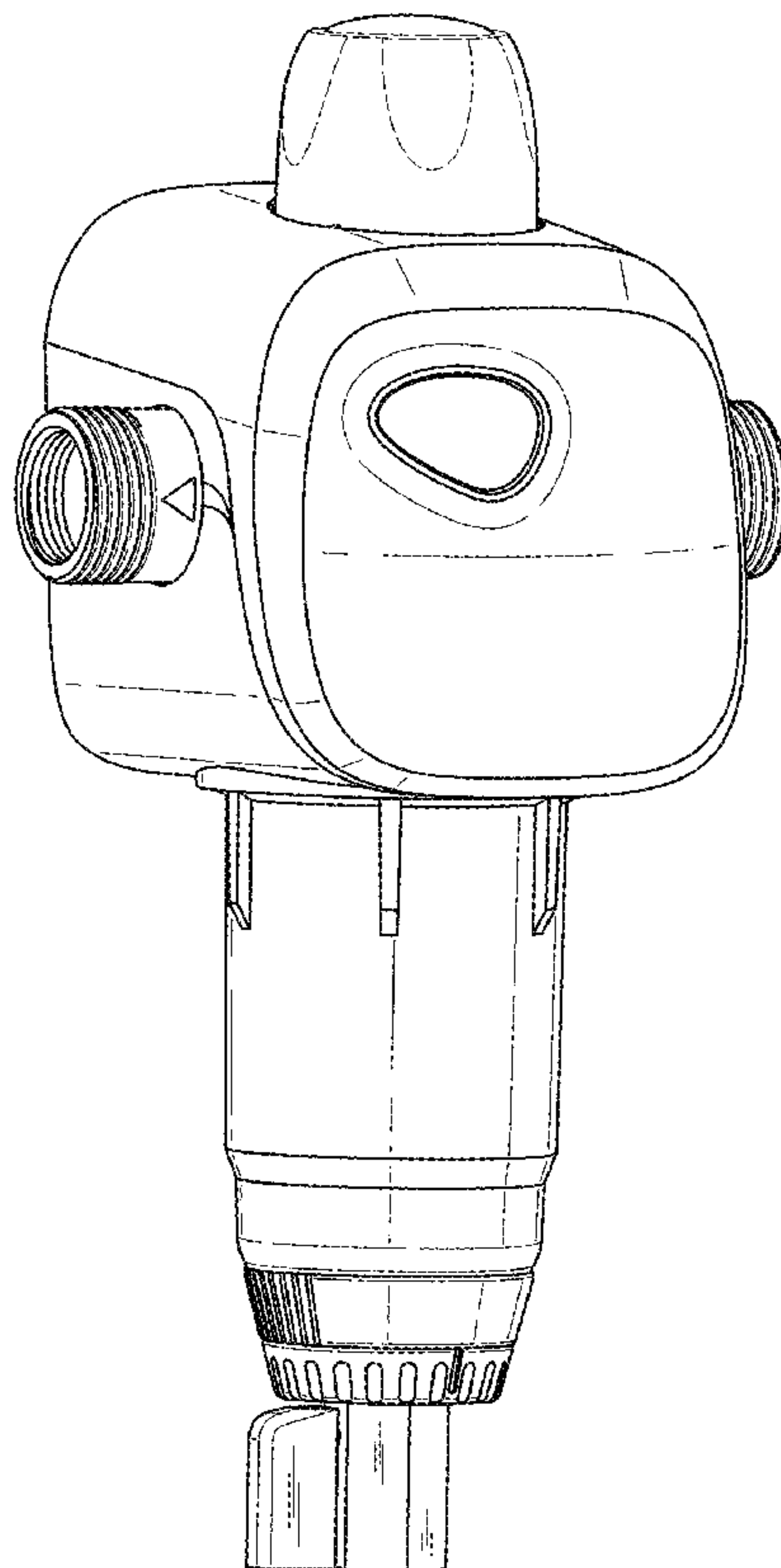
(57) **CLAIM**

The ornamental design for a water filtration device, as shown and described.

DESCRIPTION

FIG. 1 is a front perspective view from top and right side of a water filtration device showing our new design;
FIG. 2 is a front elevational view thereof;
FIG. 3 is a back elevational view thereof;
FIG. 4 is a right side elevational view thereof;
FIG. 5 is a left side elevational view thereof;
FIG. 6 is a top plan view thereof; and,
FIG. 7 is a bottom plan view thereof.
The broken line showing is included for the purpose of illustrating and forms no part of the claimed design.

1 Claim, 6 Drawing Sheets



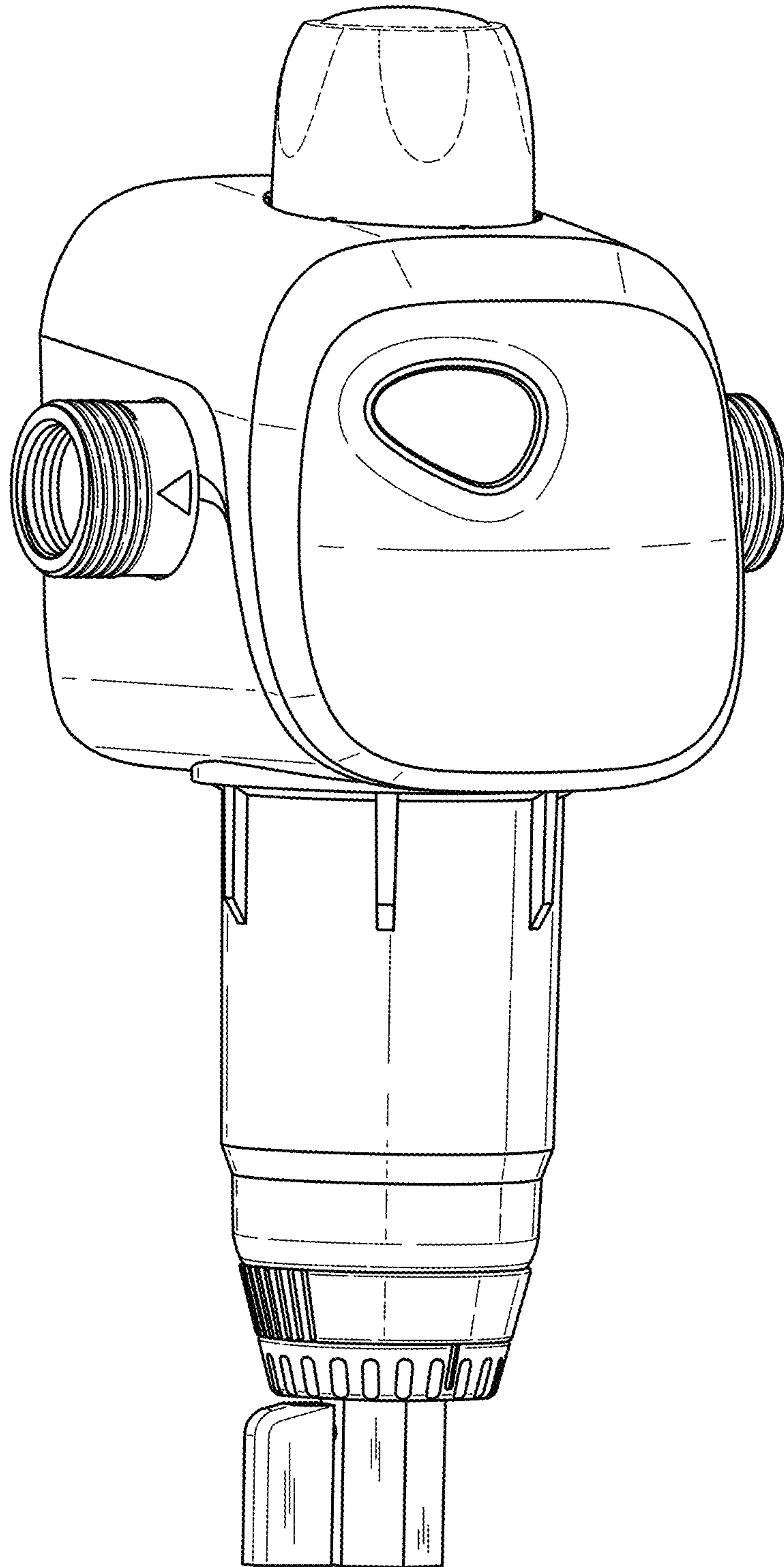


Fig. 1

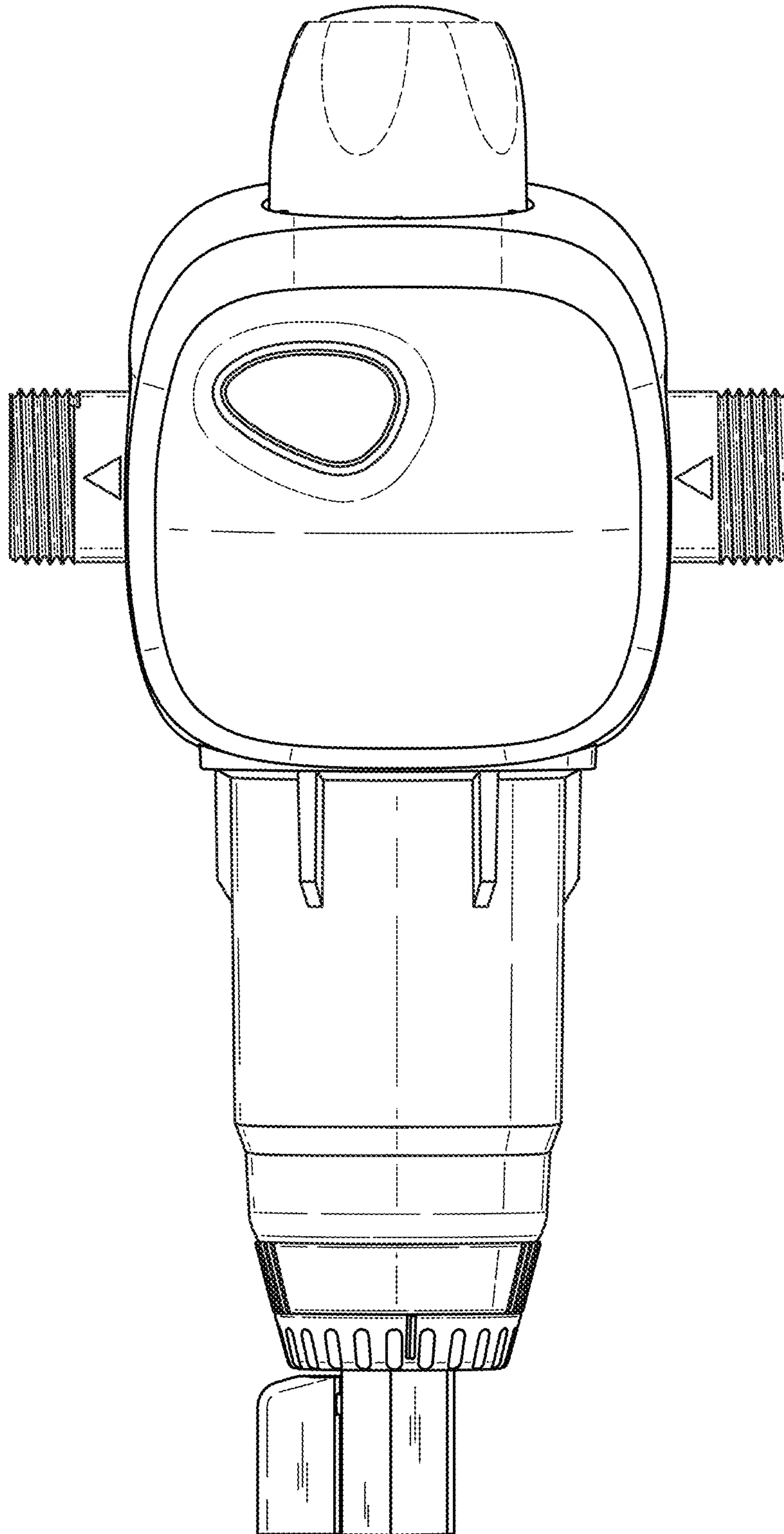


Fig. 2

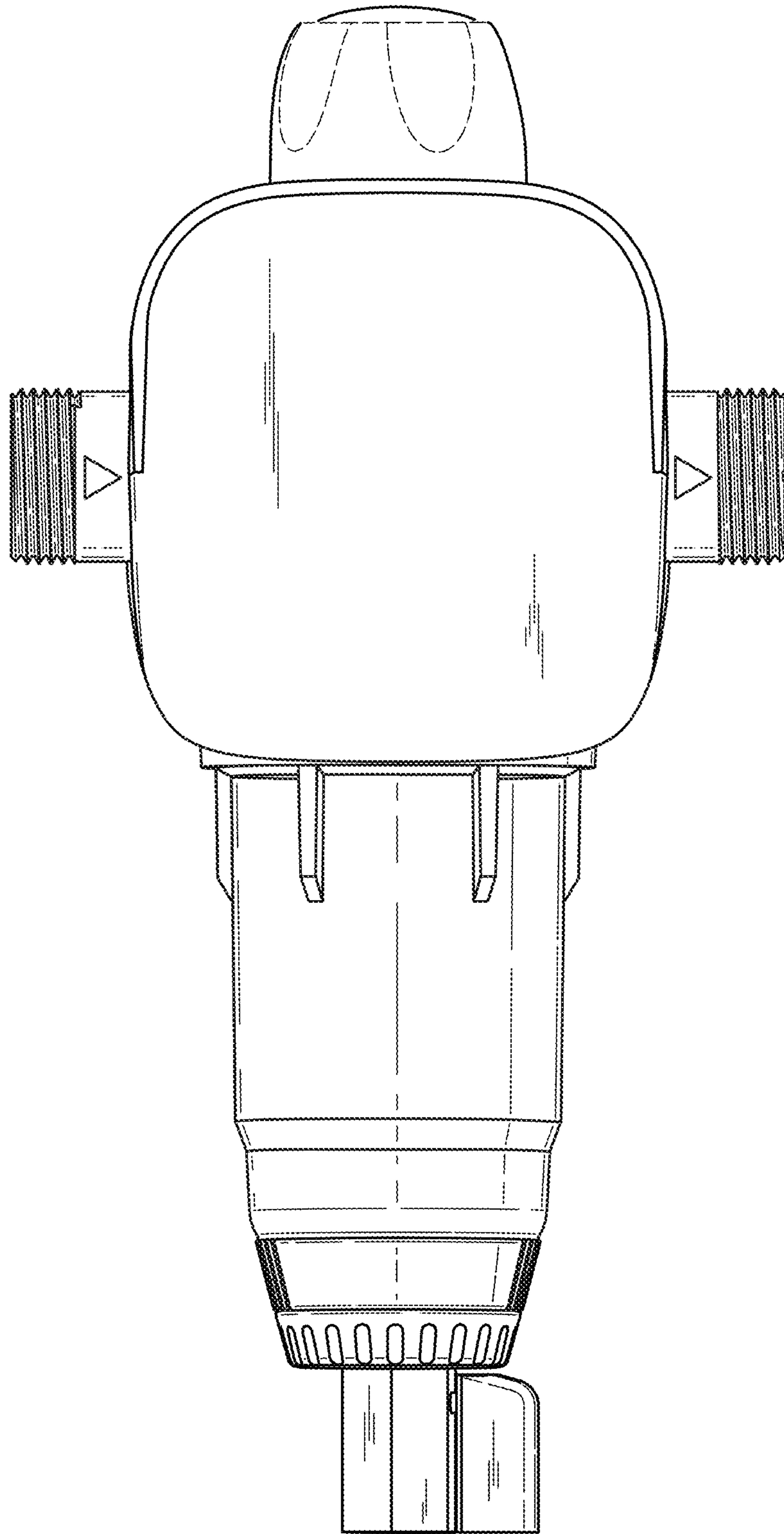


Fig. 3

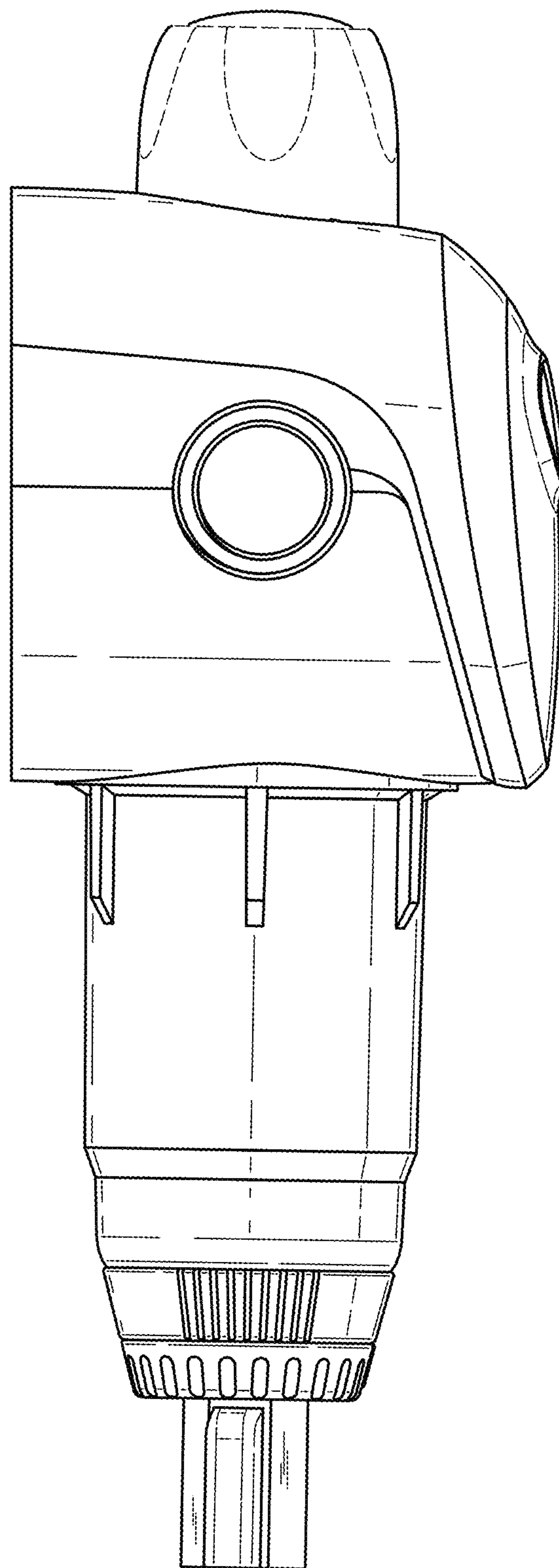


Fig. 4

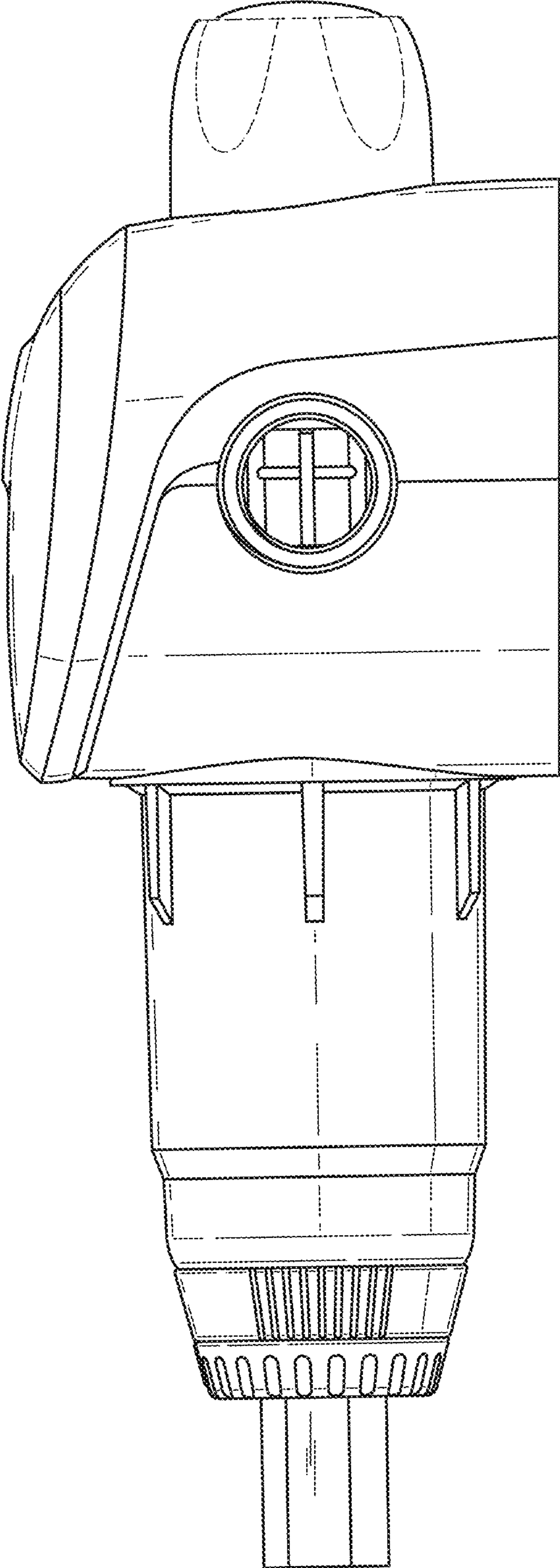


Fig. 5

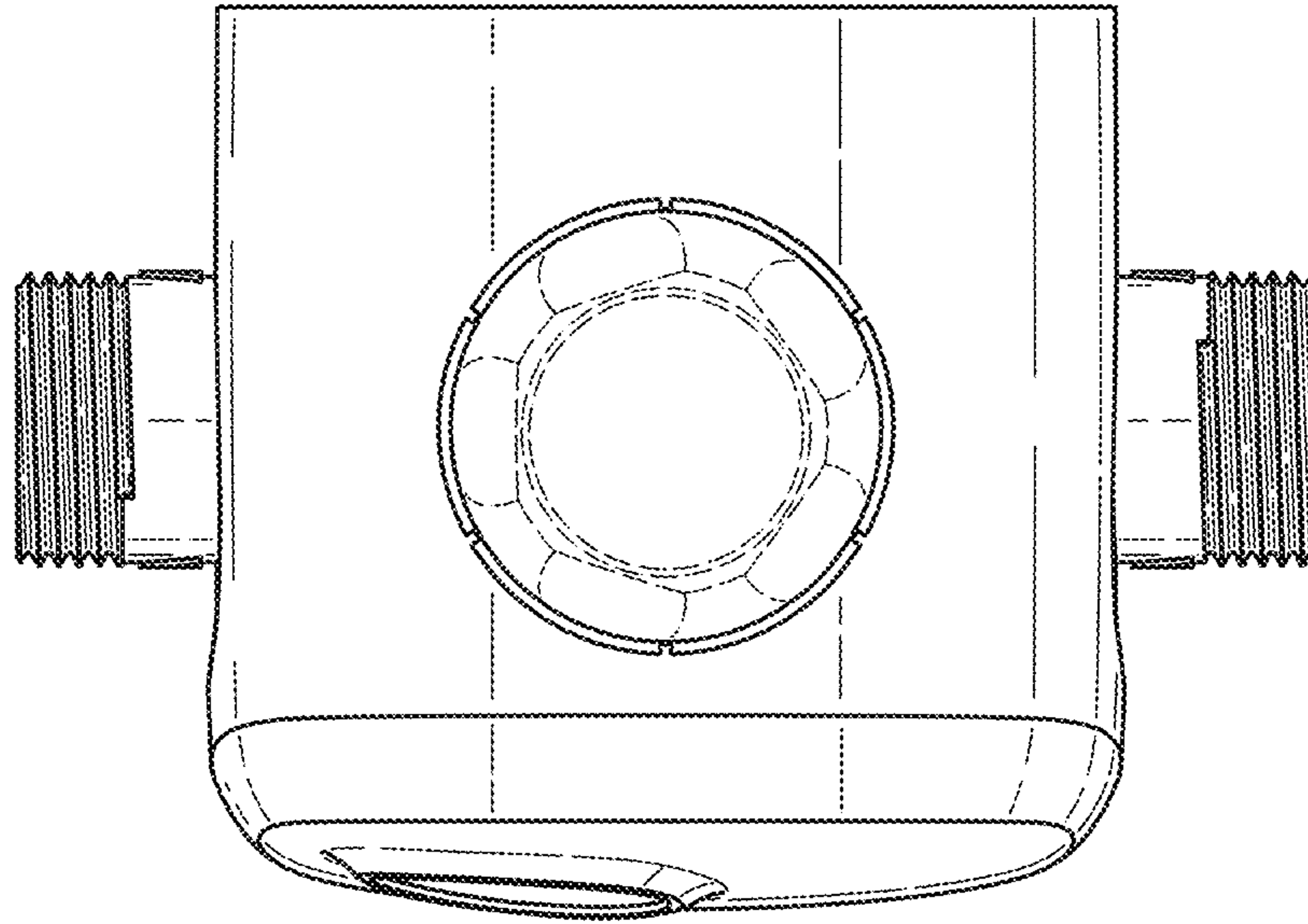


Fig. 6

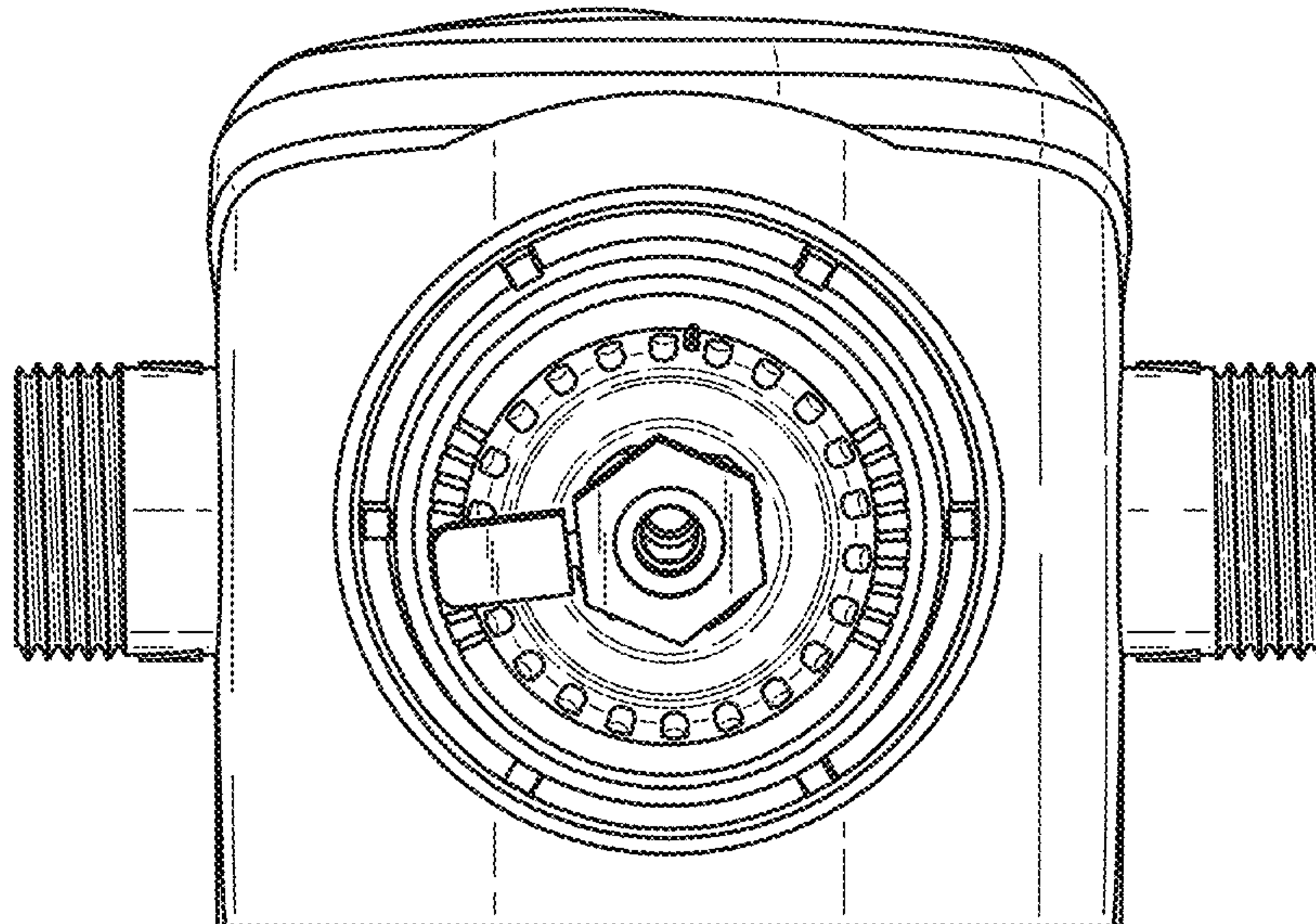


Fig. 7