



US00D759193S

(12) **United States Design Patent**  
**Gutierrez et al.**

(10) **Patent No.:** **US D759,193 S**  
(45) **Date of Patent:** **\*\* Jun. 14, 2016**

(54) **WATER DEFLECTOR**

(71) Applicant: **Cummins Emission Solutions, Inc.**,  
Columbus, IN (US)  
(72) Inventors: **Elmer Gutierrez**, Columbus, IN (US);  
**Manuel Ramirez**, Columbus, IN (US);  
**Khushboo Agarwal**, Pune (IN);  
**Shriram S. Ghalsasi**, Pune (IN)  
(73) Assignee: **CUMMINS EMISSION SOLUTIONS,**  
**INC.**, Columbus, IN (US)

(\*\*) Term: **14 Years**

(21) Appl. No.: **29/522,671**

(22) Filed: **Apr. 1, 2015**

(51) **LOC (10) Cl.** ..... **23-01**

(52) **U.S. Cl.**  
USPC ..... **D23/200**

(58) **Field of Classification Search**  
USPC ..... D23/200, 207, 209; 239/518, 504, 505  
See application file for complete search history.

(56) **References Cited**

U.S. PATENT DOCUMENTS

6,702,205 B1 \* 3/2004 Abercrombie ..... B05B 1/267  
239/505  
6,837,448 B2 \* 1/2005 Han ..... B05B 1/265  
239/499  
8,353,356 B2 \* 1/2013 Rogers ..... A62C 35/68  
169/37

\* cited by examiner

*Primary Examiner* — Robin V Webster  
(74) *Attorney, Agent, or Firm* — Foley & Lardner LLP

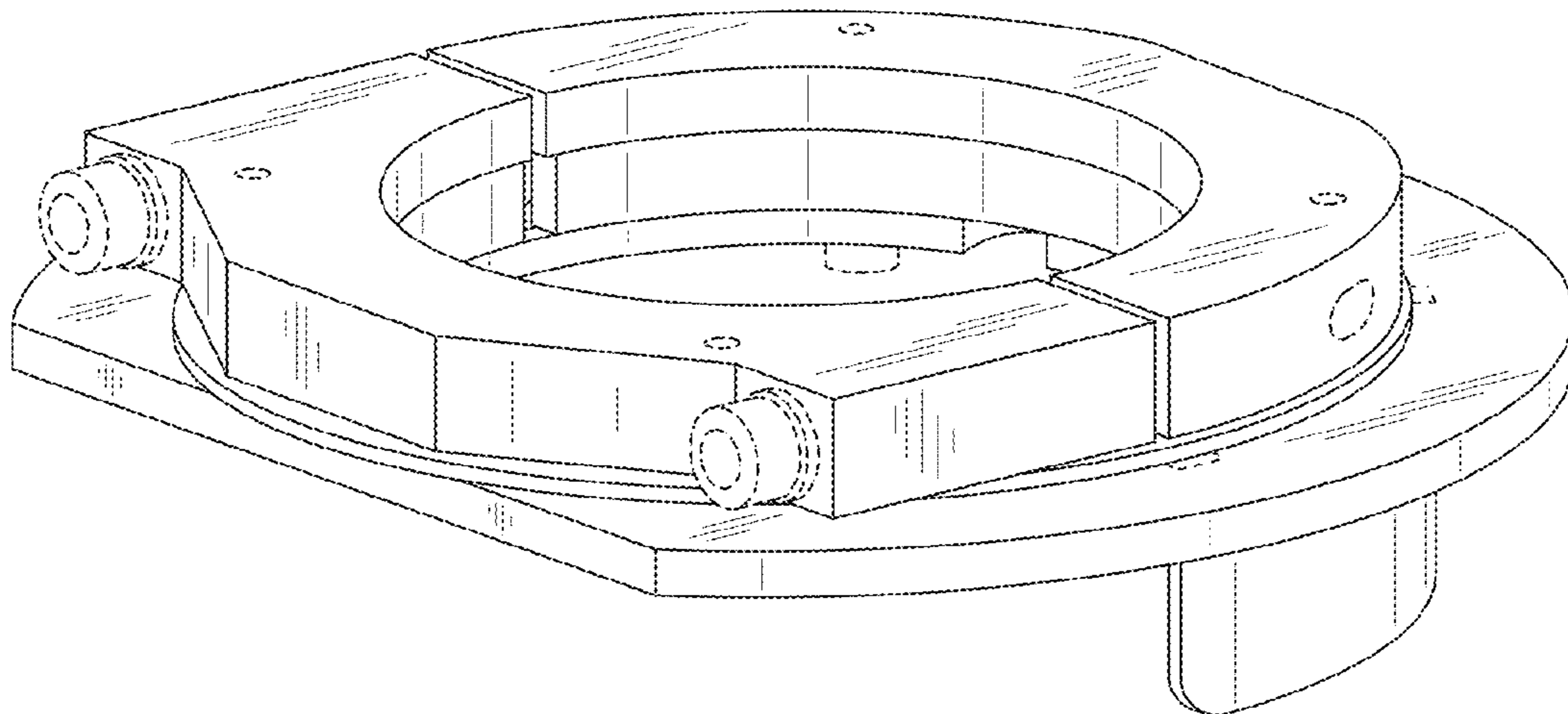
(57) **CLAIM**

We claim the ornamental design for a water deflector, as shown and described.

**DESCRIPTION**

FIG. 1 is a top, front, right perspective view of an embodiment of the claimed design according to an embodiment;  
FIG. 2 is a top plan view thereof;  
FIG. 3 is a bottom plan view thereof;  
FIG. 4 is a front elevation view thereof;  
FIG. 5 is a rear elevation view thereof;  
FIG. 6 is a left side elevation view thereof; and,  
FIG. 7 is a right side elevation view thereof.  
The ornamental design which is claimed is shown in solid lines in the drawings. The broken lines formed by dashes show unclaimed subject matter and form no part of the claimed design.

**1 Claim, 7 Drawing Sheets**



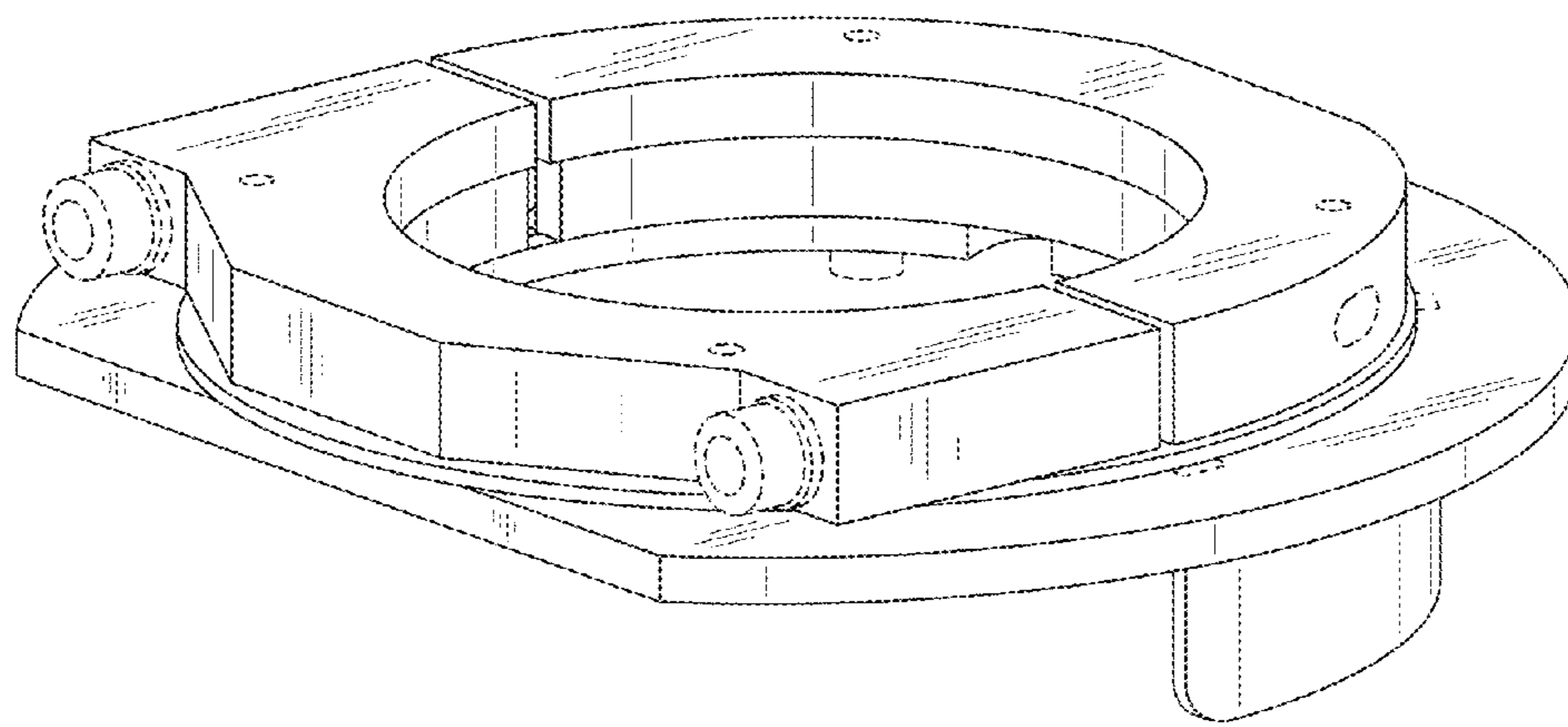


FIG. 1

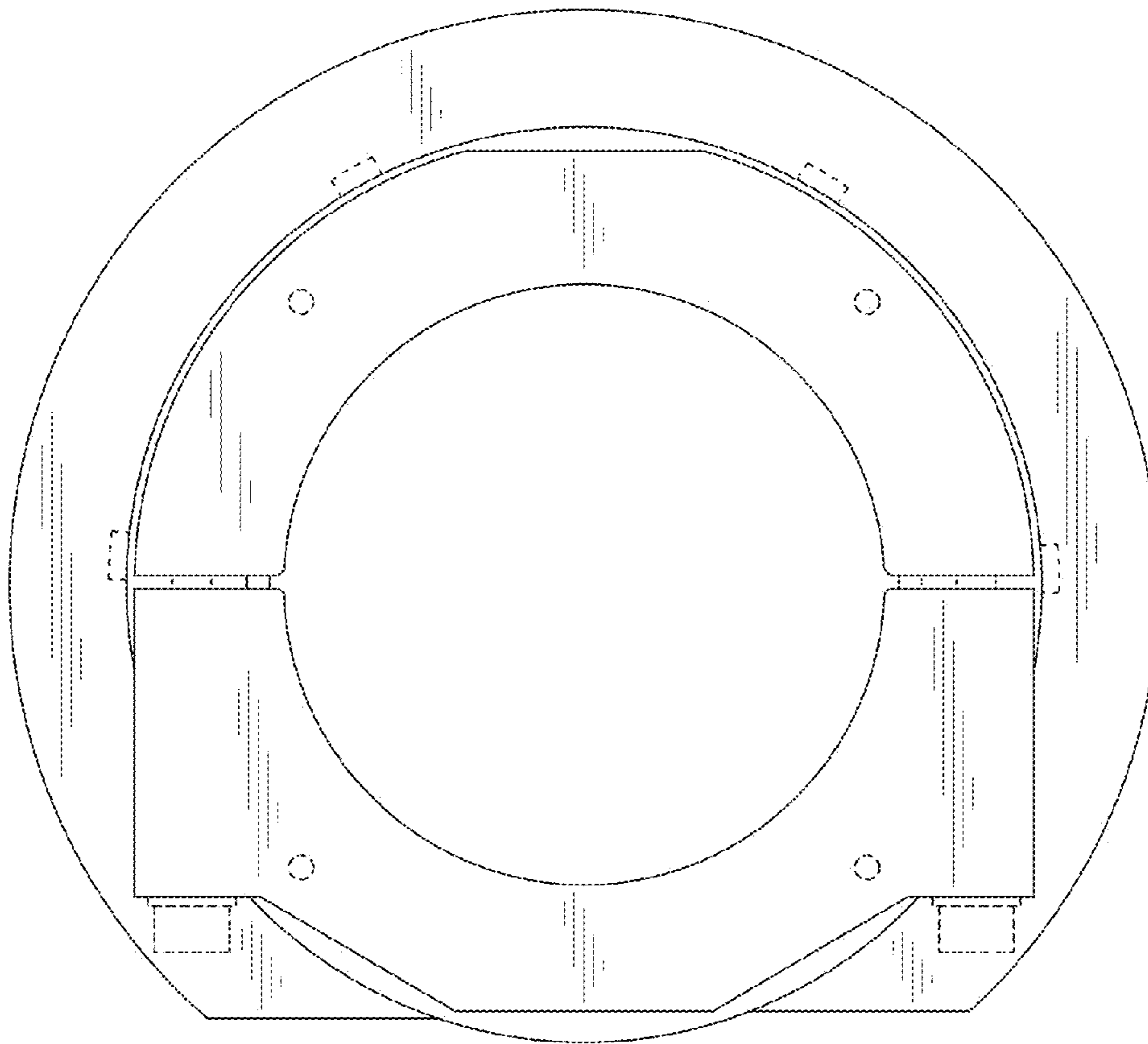


FIG. 2

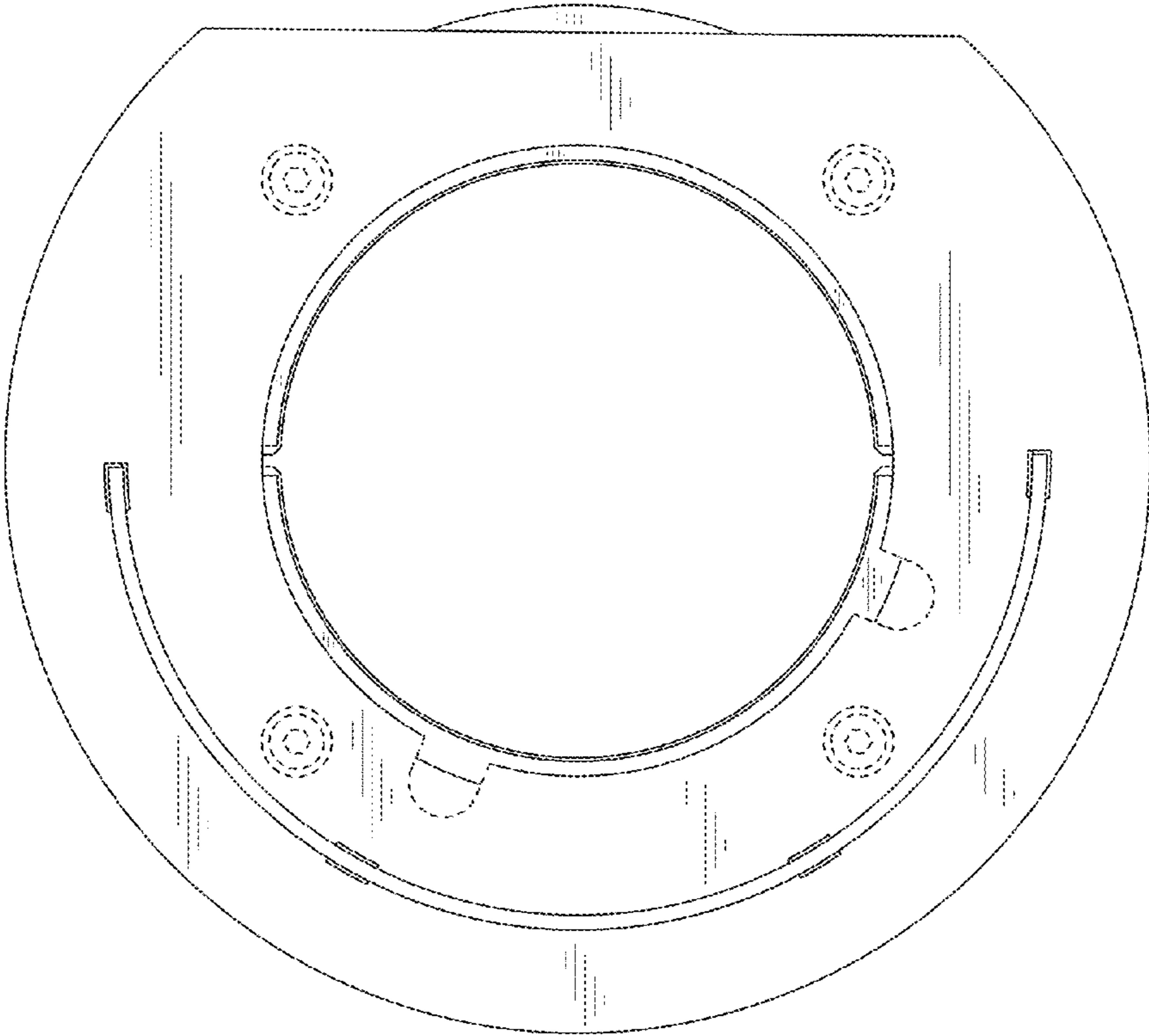


FIG. 3

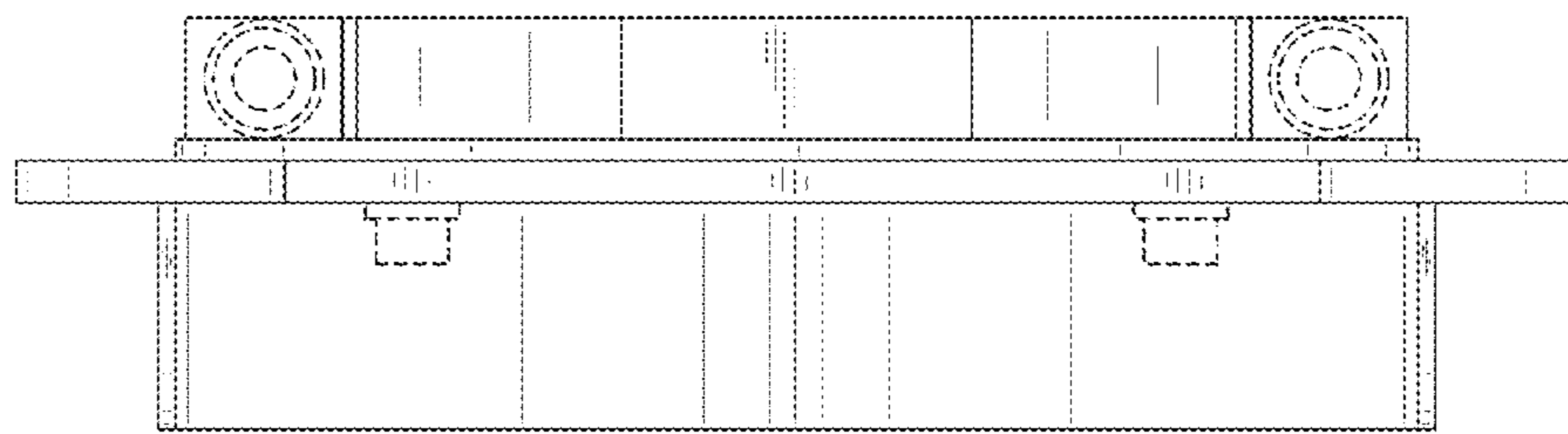


FIG. 4

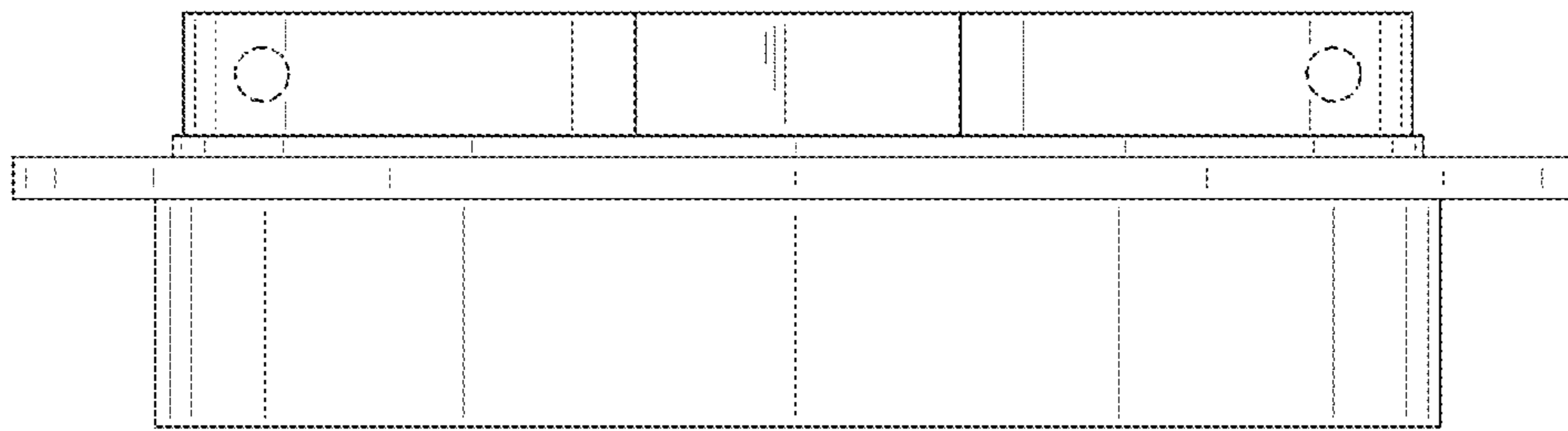


FIG. 5

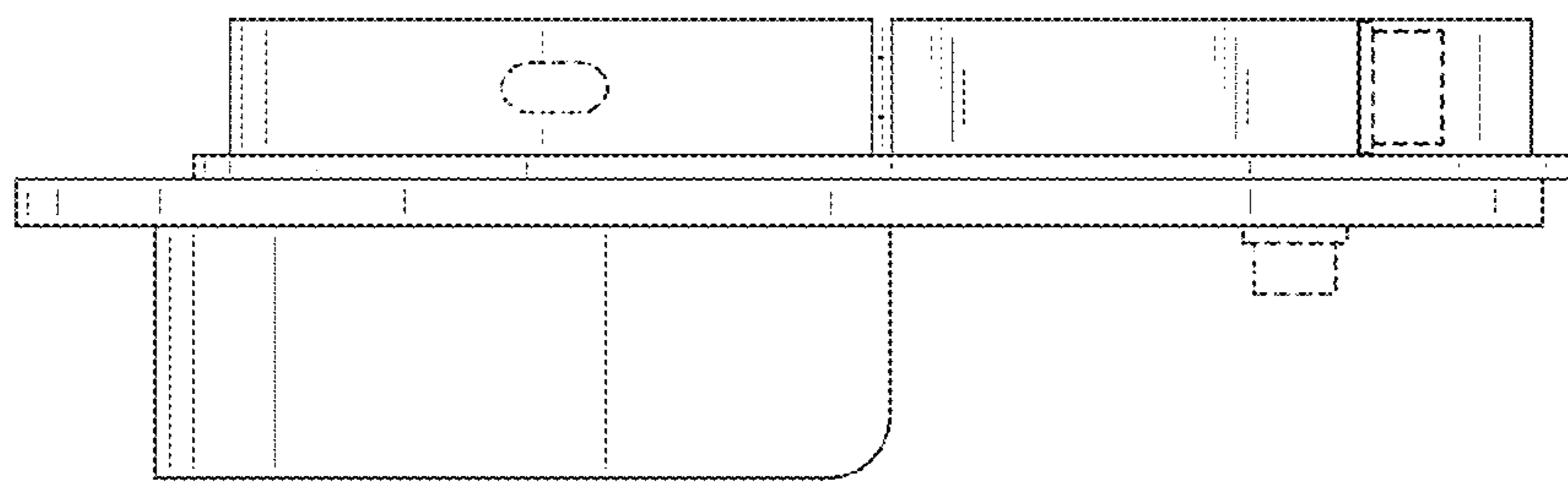


FIG. 6

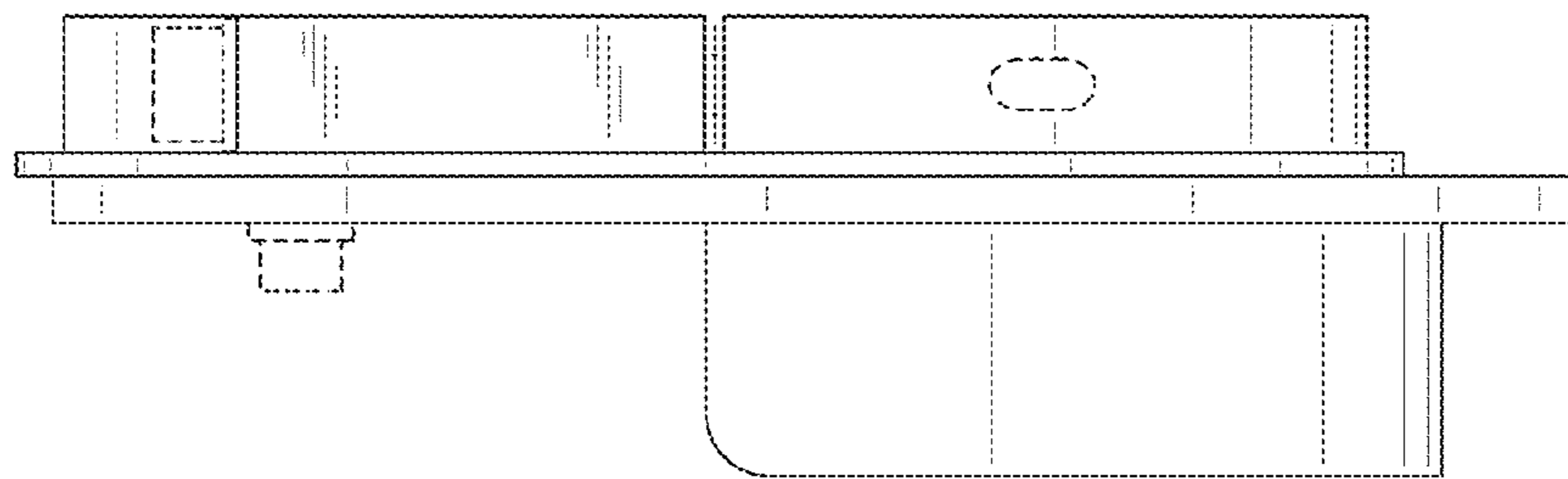


FIG. 7