



US00D759192S

(12) **United States Design Patent**
Murphy et al.

(10) **Patent No.:** **US D759,192 S**
(45) **Date of Patent:** **** Jun. 14, 2016**

- (54) **ARRANGEMENT OF WIRES FOR ELECTROCUTING FLIES**
- (71) Applicants: **Stephen P Murphy**, Brewton, AL (US);
Alex F Farris, III, Birmingham, AL (US)
- (72) Inventors: **Stephen P Murphy**, Brewton, AL (US);
Alex F Farris, III, Birmingham, AL (US)

3,758,980 A *	9/1973	Bialobrzewski	A01M 1/223 43/112
4,037,351 A	7/1977	Springer	
D246,531 S *	11/1977	Gilbert	D22/123
D302,578 S *	8/1989	Lee	D22/123
D302,840 S *	8/1989	den Braber	D22/123
D367,514 S *	2/1996	Grimes, Sr.	D11/143
6,401,383 B1	6/2002	Meade et al.	
D583,008 S *	12/2008	Vranesh	D22/123

* cited by examiner

Primary Examiner — Catheri Oliver-Garcia
(74) *Attorney, Agent, or Firm* — Gerald M. Walsh; Leo Law Firm, LLC

(**) Term: **14 Years**
(21) Appl. No.: **29/511,216**

(22) Filed: **Dec. 8, 2014**
(51) **LOC (10) Cl.** **22-06**
(52) **U.S. Cl.**
USPC **D22/123**
(58) **Field of Classification Search**
USPC D22/119–124; 43/112–113, 98, 131,
43/139
CPC A01M 1/04; A01M 1/223
See application file for complete search history.

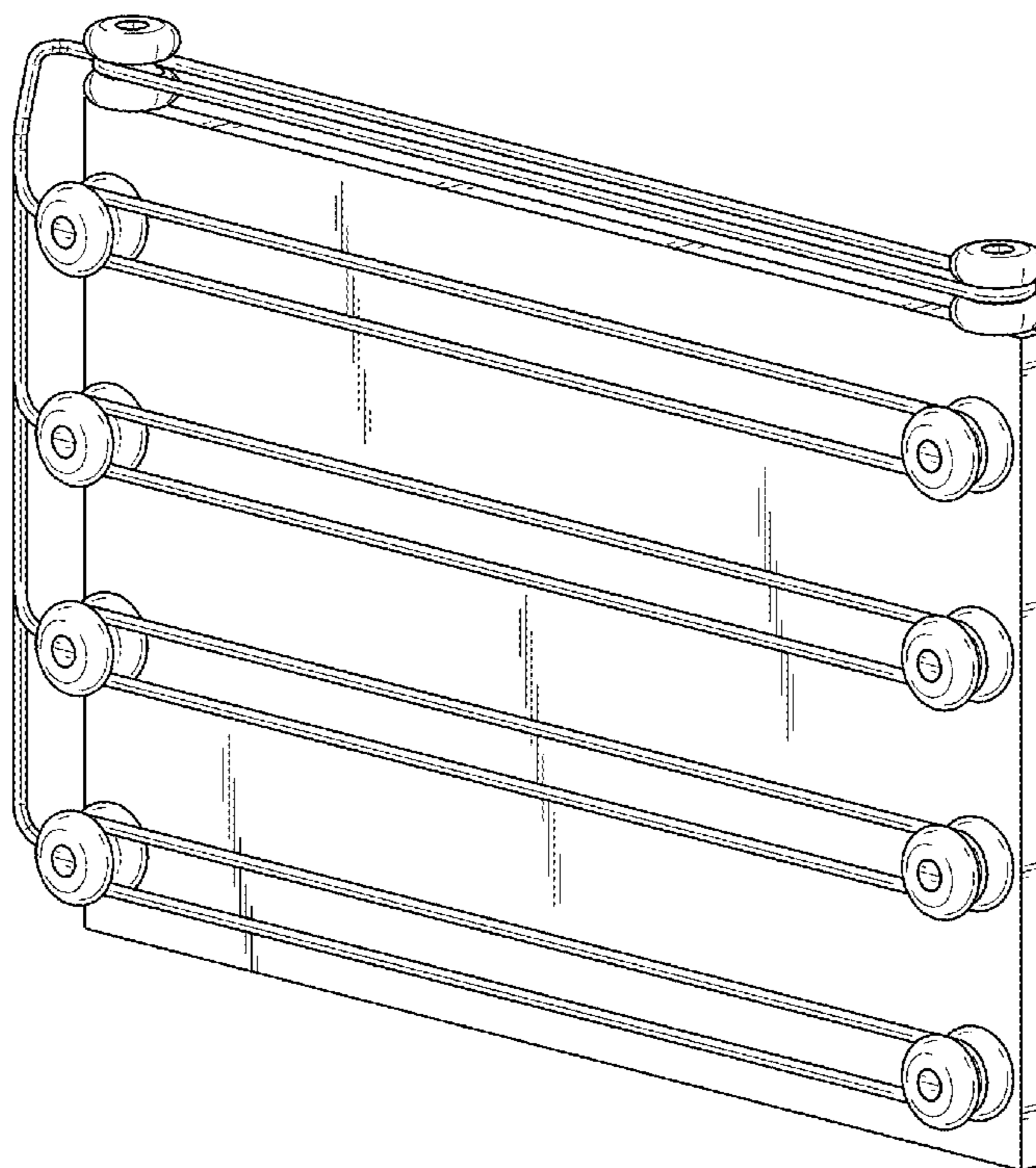
(57) **CLAIM**
We claim the ornamental design for an arrangement of wires for electrocuting flies, as shown and described.

- (56) **References Cited**
U.S. PATENT DOCUMENTS
- 2,123,127 A * 7/1938 Whipple A01M 1/223
43/112
- 2,475,181 A * 7/1949 Gardenhour A01M 1/223
43/112
- 3,491,478 A * 1/1970 Gilbert A01M 1/04
43/112

DESCRIPTION

FIG. 1 is a top front right perspective view of an arrangement of wires for electrocuting flies showing my new design; FIG. 2 is a front elevation view thereof; FIG. 3 is a rear elevation view thereof; FIG. 4 is a left side elevation view thereof; FIG. 5 is a right side elevation view thereof; FIG. 6 is a top plan view thereof; and, FIG. 7 is a bottom plan view thereof. Electric current passes through a fly when a fly contacts a pair of wires, thereby killing the fly.

1 Claim, 5 Drawing Sheets



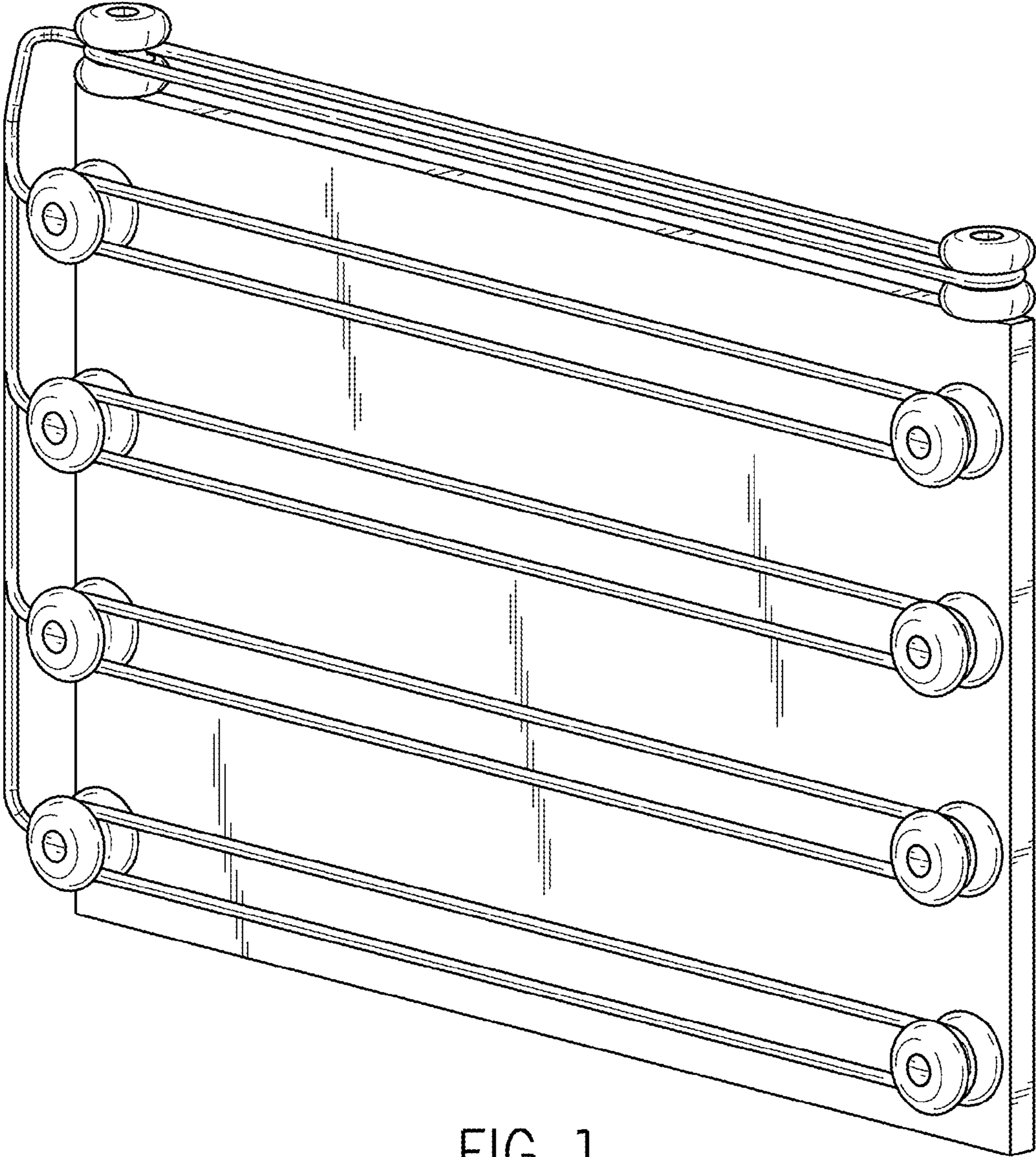


FIG. 1

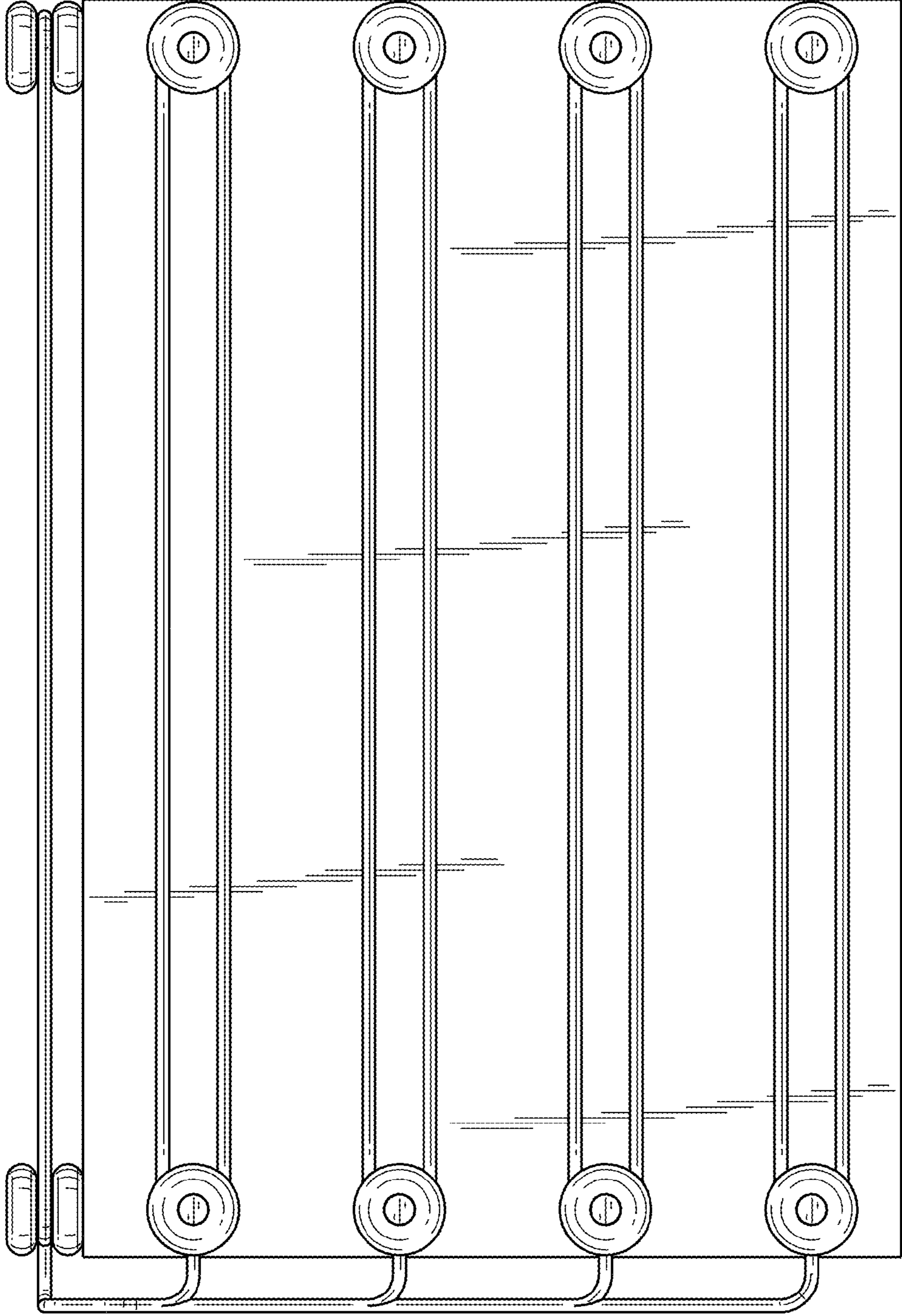


FIG. 2

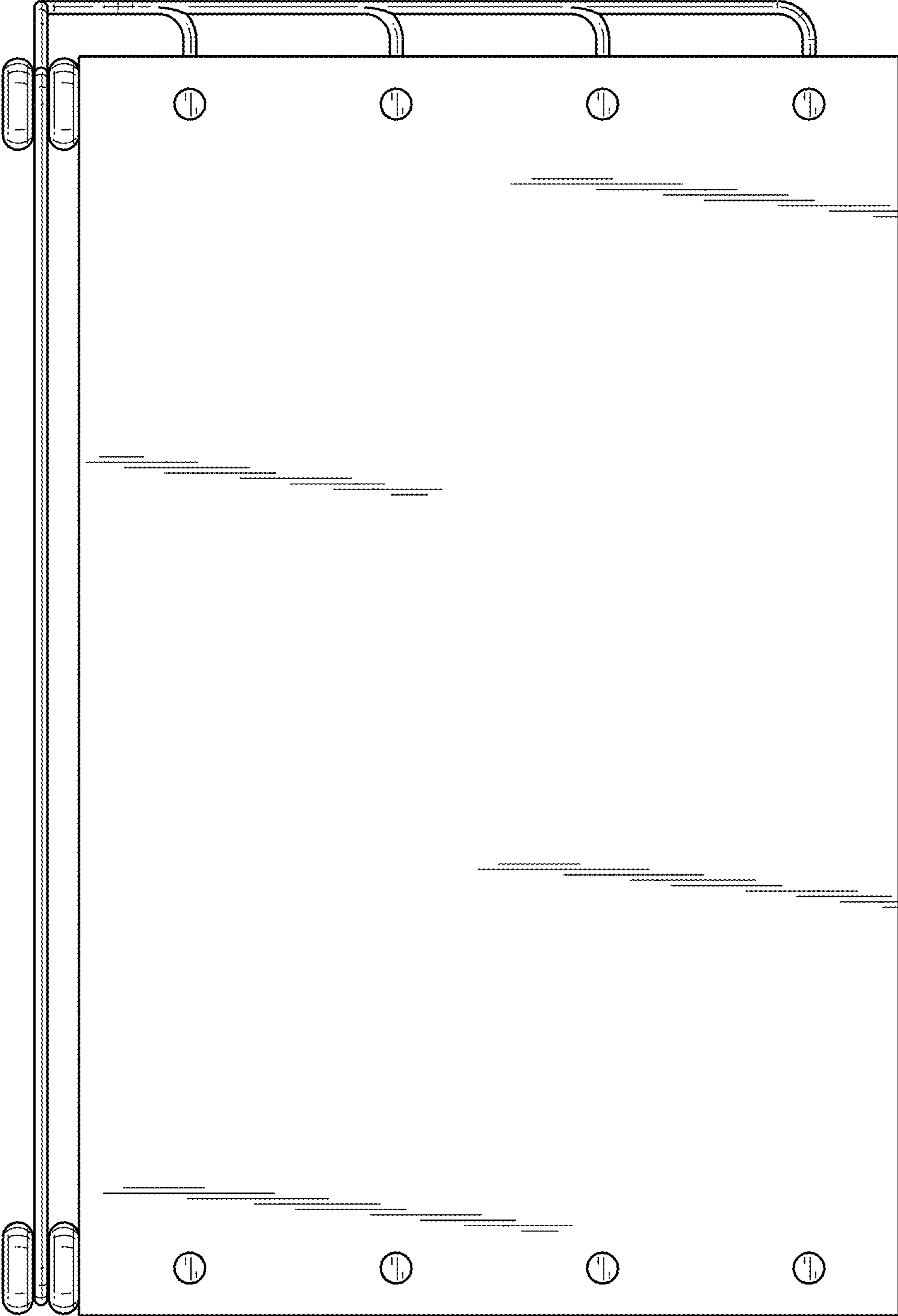


FIG. 3

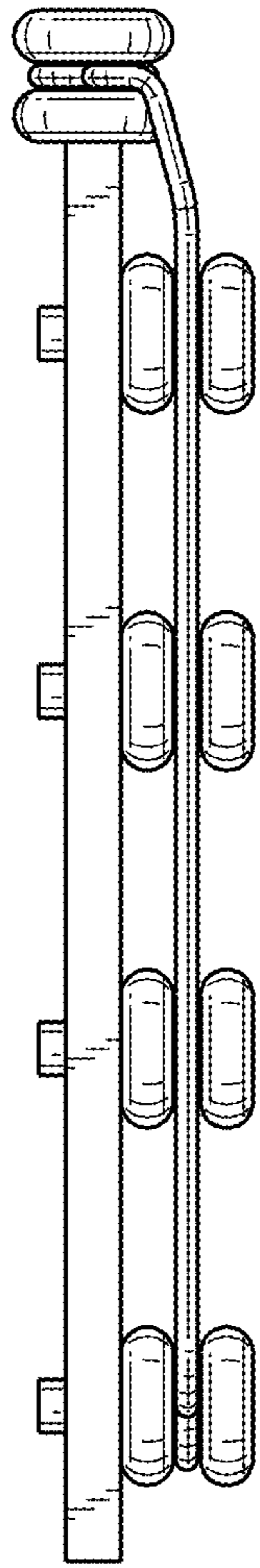


FIG. 4

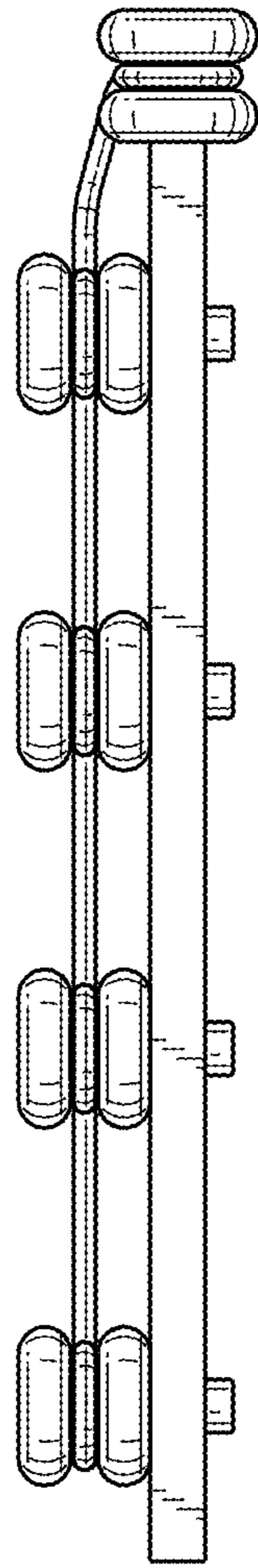


FIG. 5

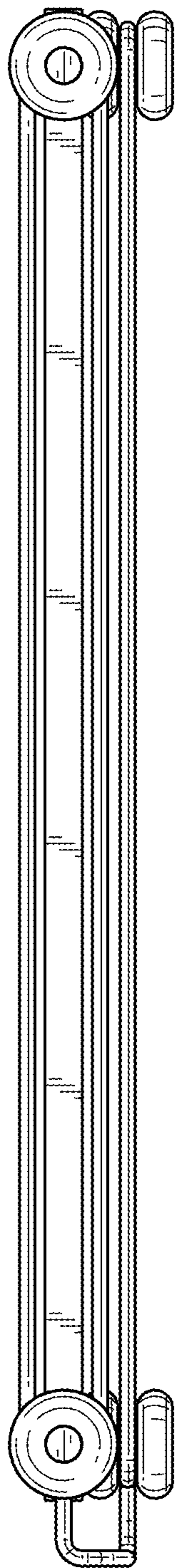


FIG. 6

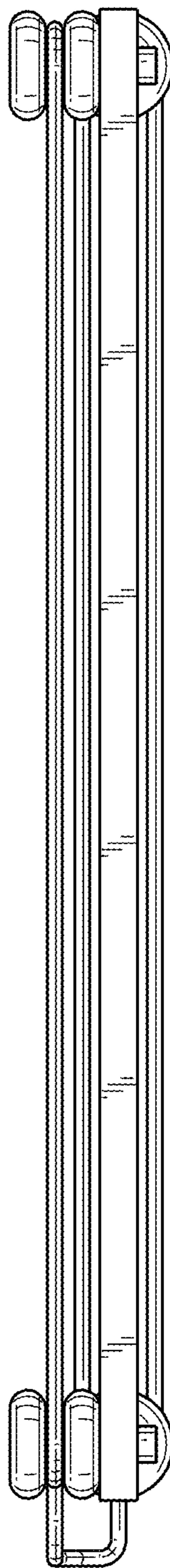


FIG. 7