



US00D759189S

(12) **United States Design Patent**
Pederson et al.

(10) **Patent No.:** **US D759,189 S**
(45) **Date of Patent:** **** Jun. 14, 2016**

- (54) **WHISKEY BULLET**
- (71) Applicant: **SipDark LLC**, Chaska, MN (US)
- (72) Inventors: **Mark D. Pederson**, Minneapolis, MN (US); **Darrell A. Kramin**, Chaska, MN (US)
- (73) Assignee: **SipDark LLC**, Chaska, MN (US)
- (**) Term: **14 Years**
- (21) Appl. No.: **29/495,069**
- (22) Filed: **Jun. 26, 2014**
- (51) **LOC (10) Cl.** **22-01**
- (52) **U.S. Cl.**
USPC **D22/116**
- (58) **Field of Classification Search**
USPC D22/115–116; 102/346, 430, 439, 448, 102/458, 460, 464–468, 471, 501, 506, 508, 102/514, 517, 521; 86/10, 19.5, 23, 25, 86/46–48, 54–55; 473/569
CPC F42B 5/02; F42B 5/26; F42B 5/28; F42B 5/30; F42B 5/32; F42B 5/34; F42B 5/36; F42B 5/38; F42B 8/02; F42B 8/04; F42B 8/06; F42B 30/02
See application file for complete search history.

- (56) **References Cited**
U.S. PATENT DOCUMENTS
D368,425 S * 4/1996 Newell D9/689
D420,766 S 2/2000 Coates et al.
D441,916 S 5/2001 Faillant-Dumas
D447,208 S * 8/2001 Benini D22/116
D615,818 S 5/2010 Jansen
D639,280 S 6/2011 Hayes
D641,286 S * 7/2011 Gaspard D11/231
D646,179 S * 10/2011 Jansen D9/680
D647,160 S * 10/2011 Johansson D22/115
D650,695 S 12/2011 Talbott et al.

D652,472 S	1/2012	Klement	
D652,477 S	1/2012	Klement	
D660,514 S	5/2012	Palo et al.	
D664,042 S *	7/2012	Kurpis	D9/680
8,402,896 B1 *	3/2013	Hollerman et al.	102/513
D682,413 S	5/2013	Gross et al.	
D703,016 S *	4/2014	Crane	D8/38
D707,785 S	6/2014	Seecamp	
8,925,463 B1 *	1/2015	Sullivan et al.	102/439
D728,858 S *	5/2015	Nish	D28/48
9,032,855 B1 *	5/2015	Foren et al.	86/19.5
2006/0207464 A1 *	9/2006	Maljkovic et al.	102/466
2007/0261587 A1 *	11/2007	Chung	102/469
2010/0282112 A1 *	11/2010	Battaglia	102/467
2011/0214583 A1 *	9/2011	Dutch	102/464
2011/0290141 A1 *	12/2011	Engel et al.	102/439
2012/0012023 A1 *	1/2012	Dietrich et al.	102/439
2012/0266772 A1 *	10/2012	Eckstein	102/439
2012/0266773 A1 *	10/2012	Eckstein	102/506

(Continued)

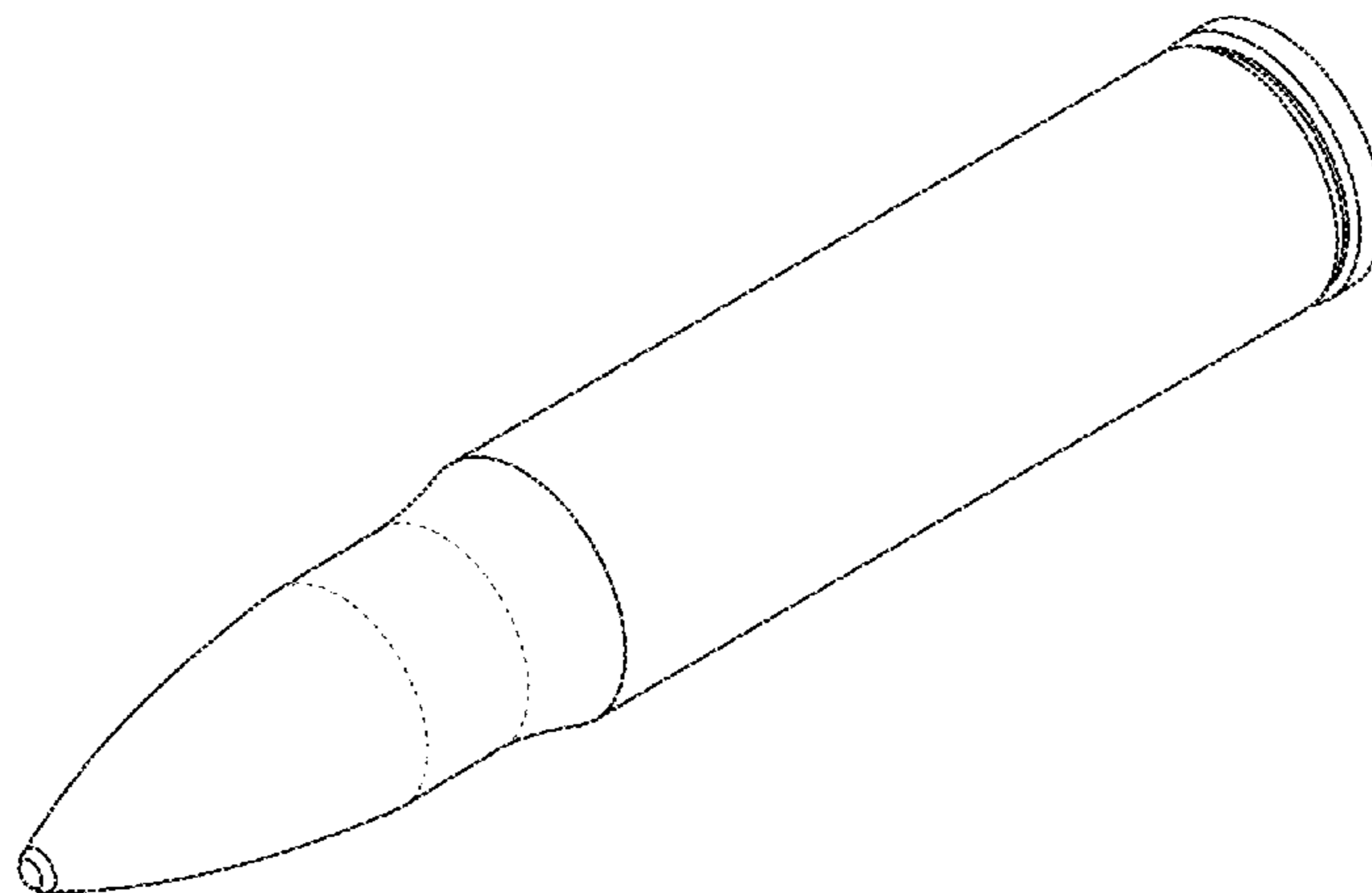
Primary Examiner — Michael A Pratt
(74) *Attorney, Agent, or Firm* — Faegre Baker Daniels LLP

(57) **CLAIM**
The ornamental design for a whiskey bullet, as shown and described.

DESCRIPTION

FIG. 1 is a front perspective view of a whiskey bullet, showing our new design;
FIG. 2 is a first side elevation view thereof;
FIG. 3 is a second side elevation view thereof;
FIG. 4 is a front elevation view thereof;
FIG. 5 is a back elevation view thereof;
FIG. 6 is a top plan view thereof; and,
FIG. 7 is an enlarged partial view thereof at section 7 in FIG. 6.
The broken lines illustrate portions of the whiskey bullet in FIGS. 1 through 3 and 6 which do not form a part of the claimed design.

1 Claim, 7 Drawing Sheets



US D759,189 S

Page 2

(56)

References Cited

U.S. PATENT DOCUMENTS

2014/0069290 A1* 3/2014 Padgett et al. 102/466
2014/0311332 A1* 10/2014 Carlson et al. 89/191.01
2014/0318404 A1* 10/2014 Kerley 102/469

2015/0007698 A1* 1/2015 Crane 81/3.55
2015/0033970 A1* 2/2015 Maljkovic et al. 102/467
2015/0107481 A1* 4/2015 Nygaard 102/514
2015/0144019 A1* 5/2015 Andersson et al. 102/514

* cited by examiner

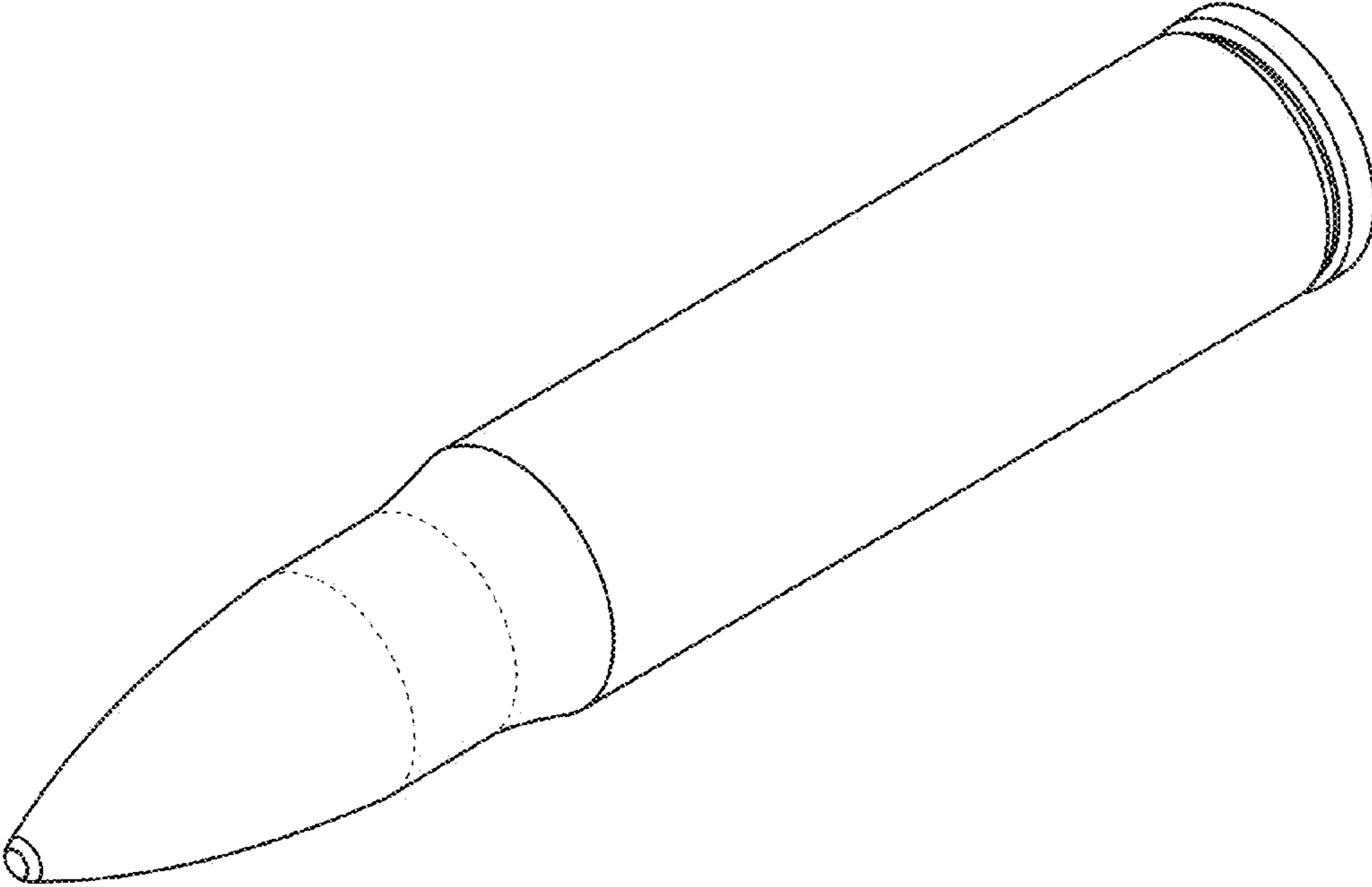


FIG. 1

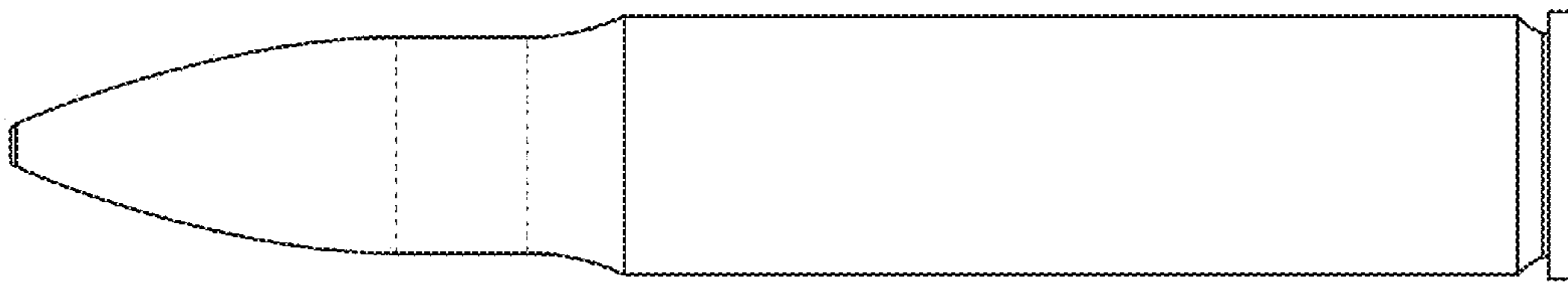


FIG. 2

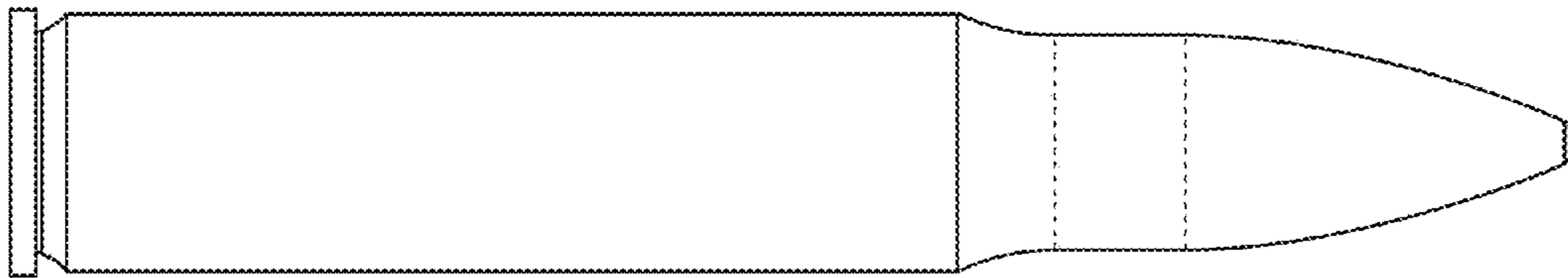


FIG. 3

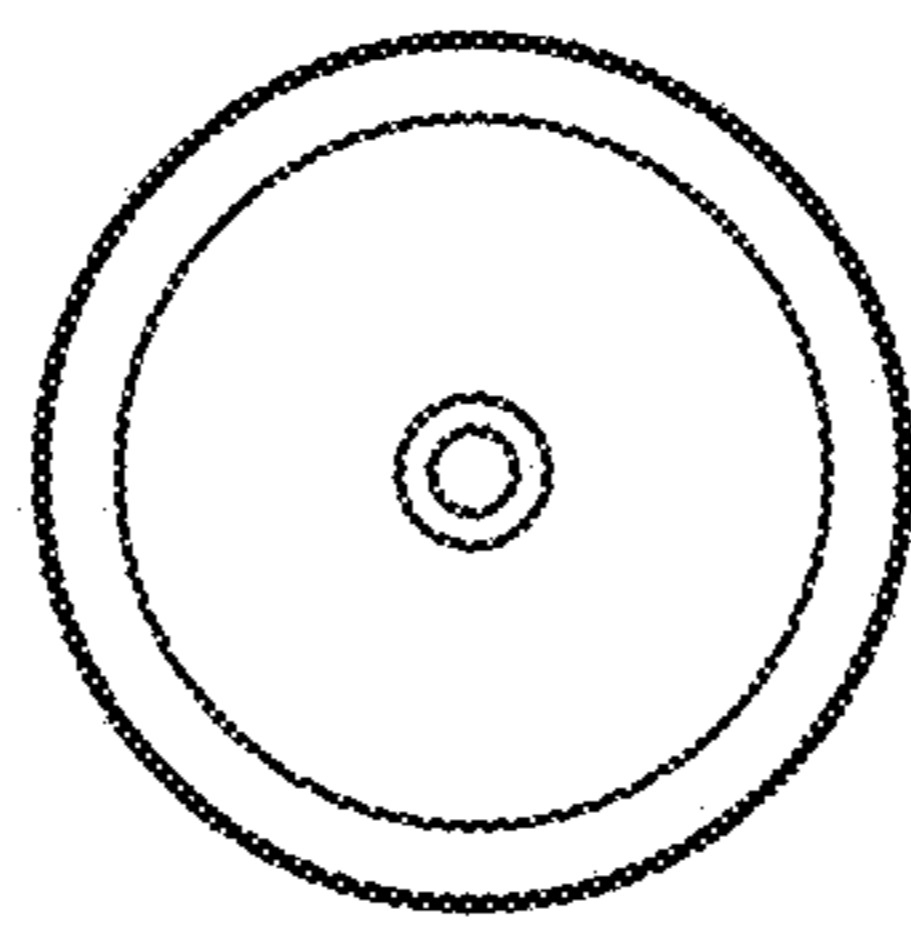


FIG. 4

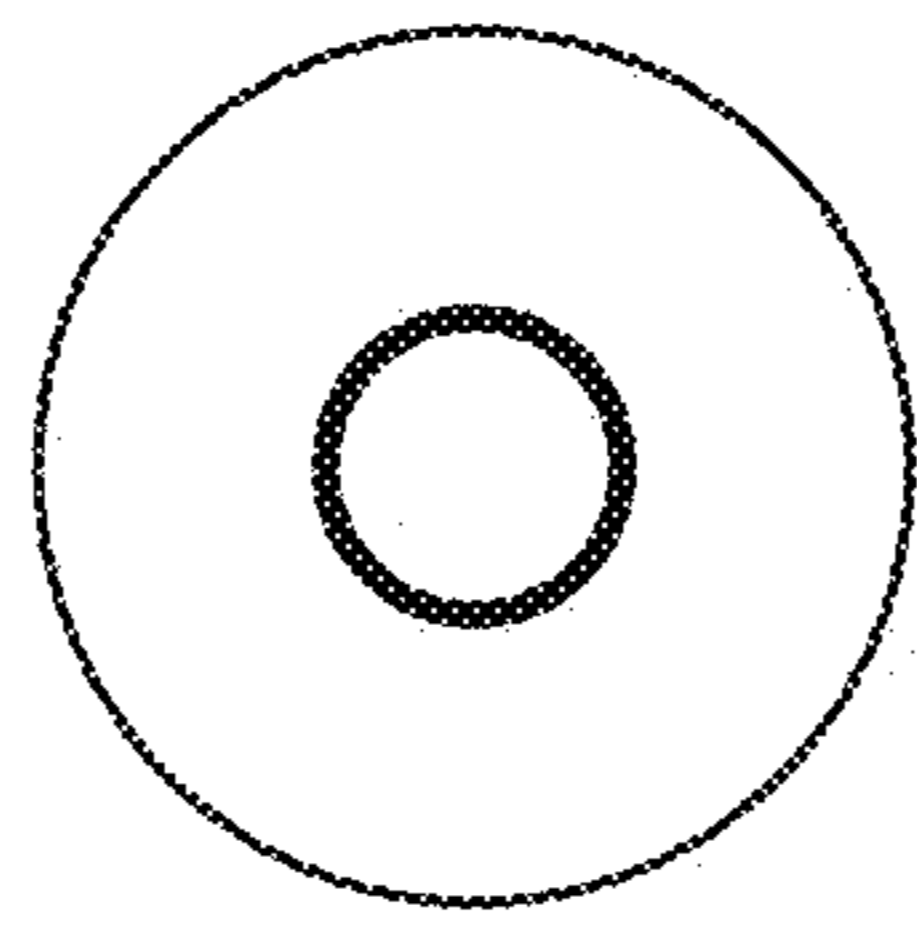


FIG. 5

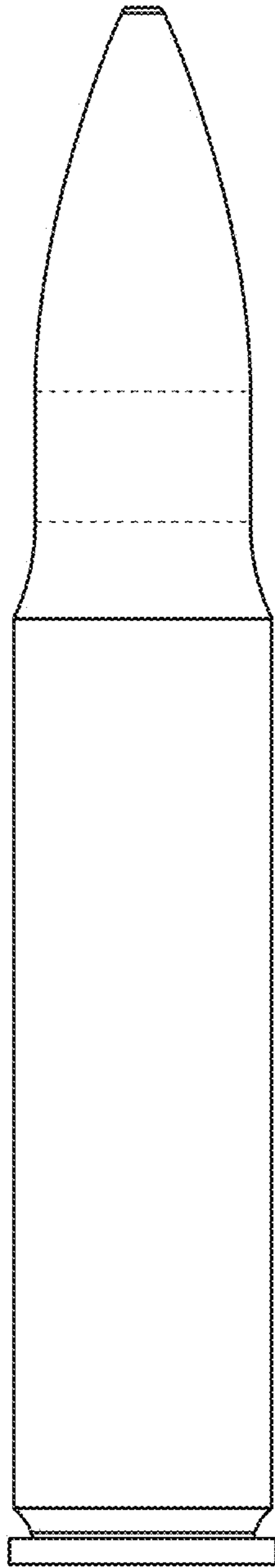


FIG. 6



FIG. 7