



US00D759188S

(12) **United States Design Patent**
Geissele

(10) **Patent No.:** **US D759,188 S**
(45) **Date of Patent:** **** Jun. 14, 2016**

- (54) **MUZZLE BRAKE**
- (71) Applicant: **WHG Properties, LLC**, North Wales, PA (US)
- (72) Inventor: **William H. Geissele**, Lower Gwynedd, PA (US)
- (73) Assignee: **WHG Properties, LLC**, North Wales, PA (US)
- (**) Term: **14 Years**
- (21) Appl. No.: **29/515,219**
- (22) Filed: **Jan. 21, 2015**

5,596,161 A	1/1997	Sommers
6,752,062 B2	6/2004	Vais
7,861,636 B1	1/2011	Hoffman
D666,687 S	9/2012	Nierenberg
D692,086 S	10/2013	Nierenberg
D694,355 S	11/2013	Hormann
D711,491 S	8/2014	Nierenberg
D729,894 S	5/2015	DeLuca
2010/0282056 A1	11/2010	Hung
2011/0271575 A1	11/2011	Overbeek Bloem
2012/0048100 A1	3/2012	Davies

* cited by examiner

Primary Examiner — Michael A Pratt
(74) *Attorney, Agent, or Firm* — Merchant & Gould, P.C.

Related U.S. Application Data

- (63) Continuation-in-part of application No. 29/512,552, filed on Dec. 19, 2014, now Pat. No. Des. 754,275.
- (51) **LOC (10) Cl.** **22-01**
- (52) **U.S. Cl.**
USPC **D22/108**
- (58) **Field of Classification Search**
USPC D22/103, 108; D21/572-575
CPC F41A 21/34; F41A 21/325; F41A 21/32;
F41A 21/28
See application file for complete search history.

(57) **CLAIM**

The ornamental design for a muzzle brake, as shown and described.

DESCRIPTION

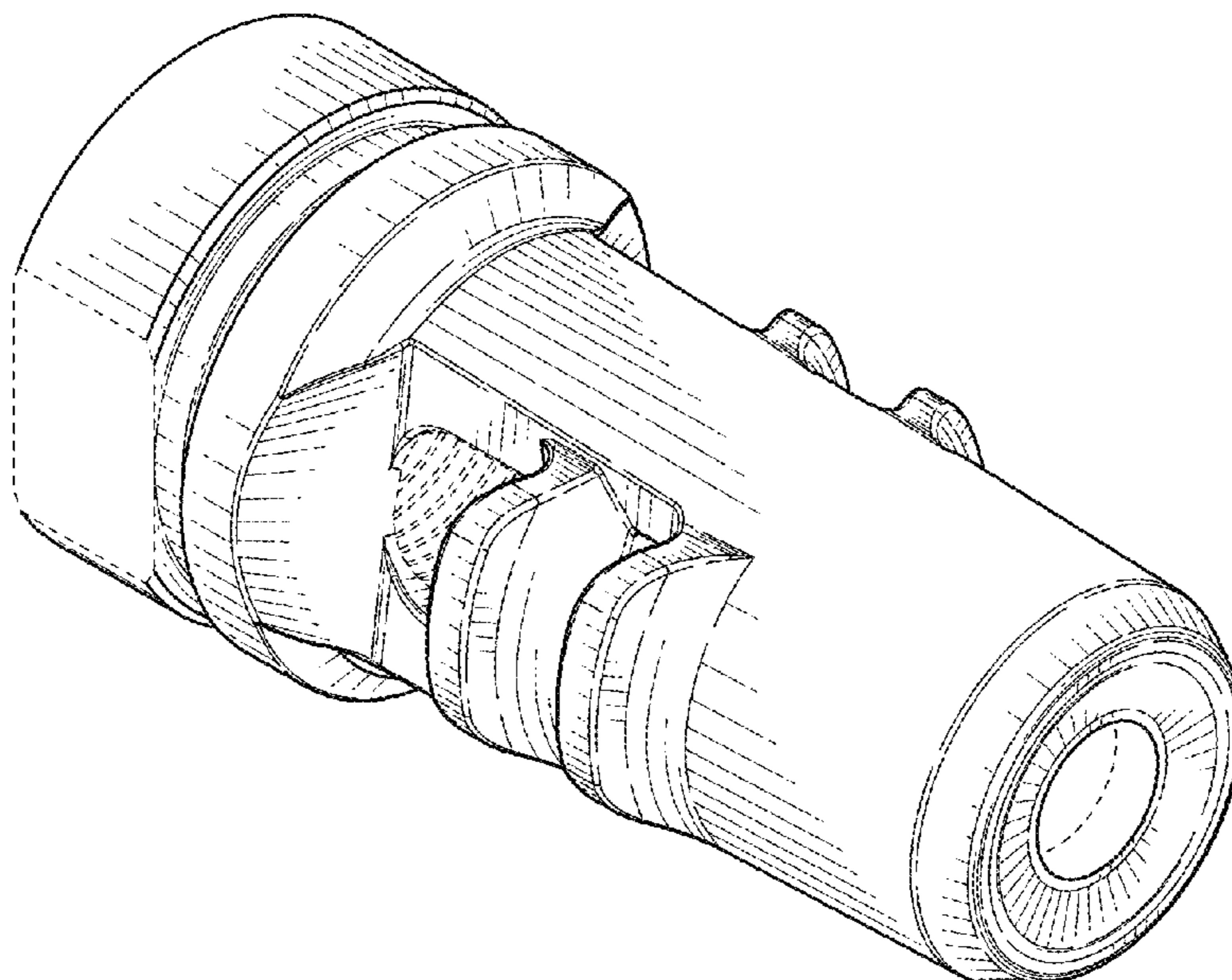
FIG. 1 is a top, front, right side perspective view of a muzzle brake according to the present disclosure;
 FIG. 2 is a top, rear, left side perspective view of the muzzle brake of FIG. 1;
 FIG. 3 is a rear view of the muzzle brake of FIG. 1;
 FIG. 4 is a front view of the muzzle brake of FIG. 1;
 FIG. 5 is a right side view of the muzzle brake of FIG. 1;
 FIG. 6 is a left side view of the muzzle brake of FIG. 1;
 FIG. 7 is a top view of the muzzle brake of FIG. 1;
 FIG. 8 is a bottom view of the muzzle brake of FIG. 1;
 FIG. 9 is a top cross-sectional view of the muzzle brake of FIG. 1 along the line 9-9 of FIG. 4; and,
 FIG. 10 is a right side cross-sectional view of the muzzle brake of FIG. 1 along the line 10-10 of FIG. 3.
 The broken lines in the Figures are for illustrative purposes only and form no part of the claimed design.

(56) **References Cited**

U.S. PATENT DOCUMENTS

2,442,382 A *	6/1948	Sieg	F41A 21/28 89/1.7
2,451,514 A *	10/1948	Sieg	F41A 21/28 89/14.3
D158,792 S	5/1950	Powell		
D158,794 S	5/1950	Powell		
5,476,028 A	12/1995	Seberger		

1 Claim, 5 Drawing Sheets



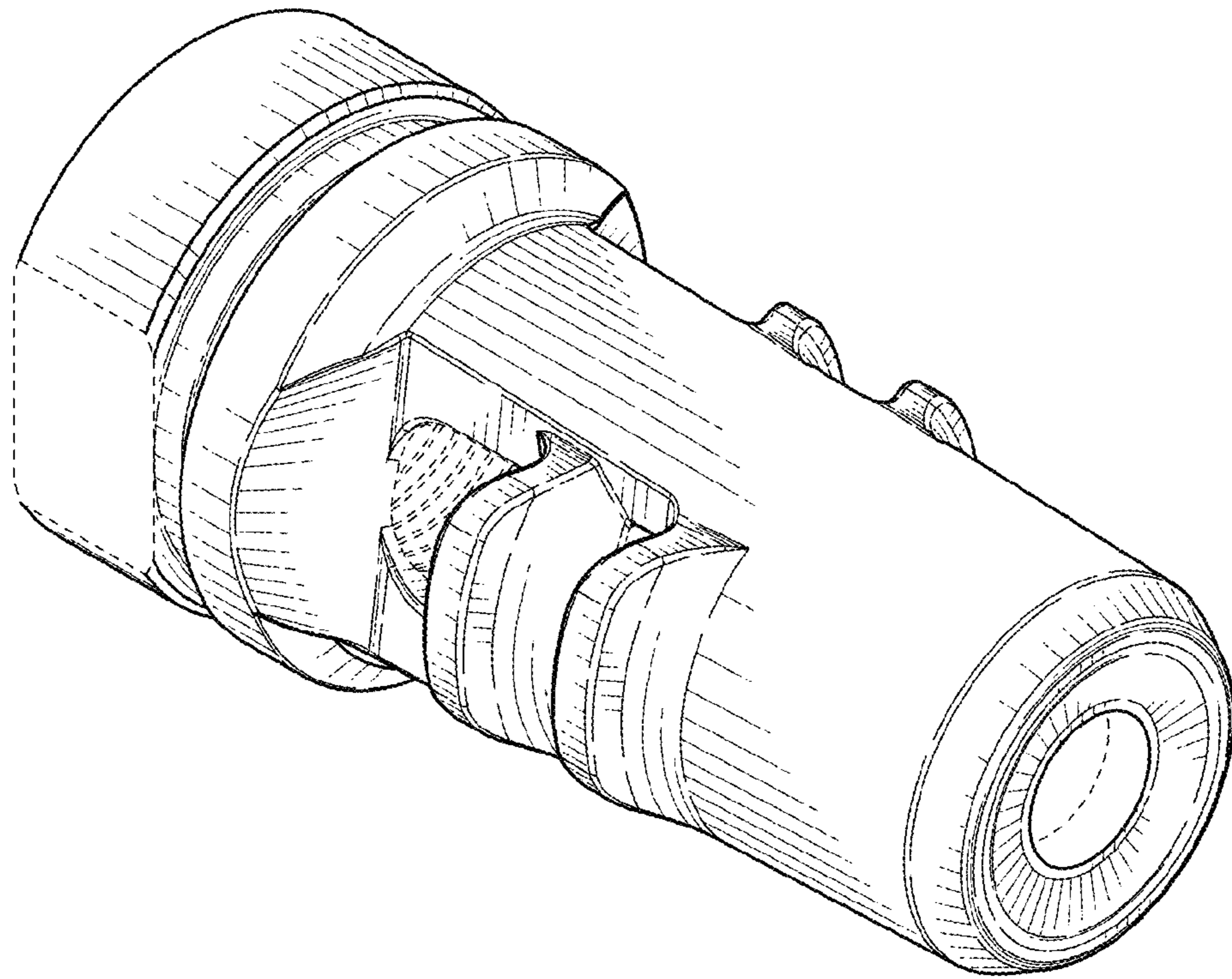


FIG. 1

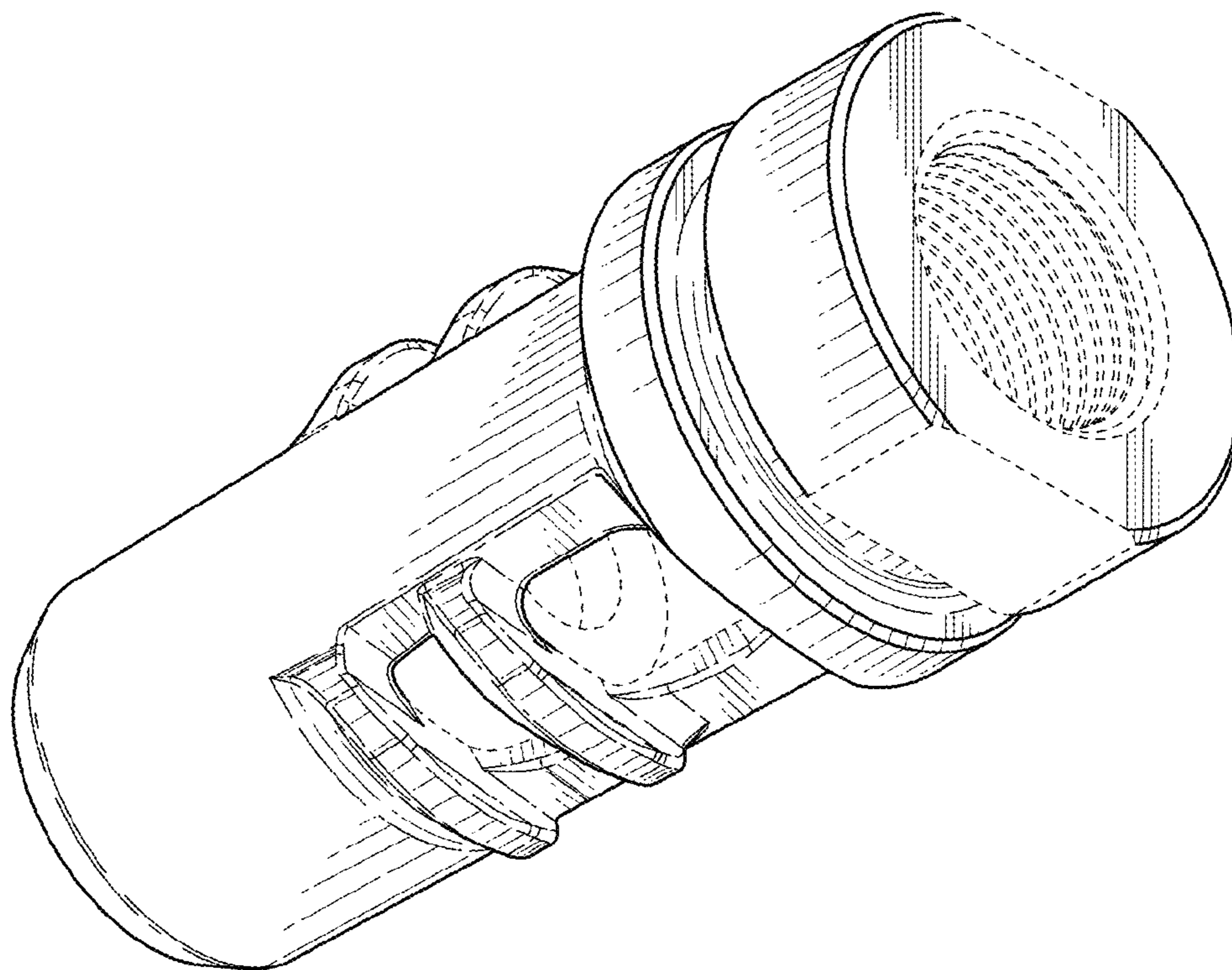


FIG. 2

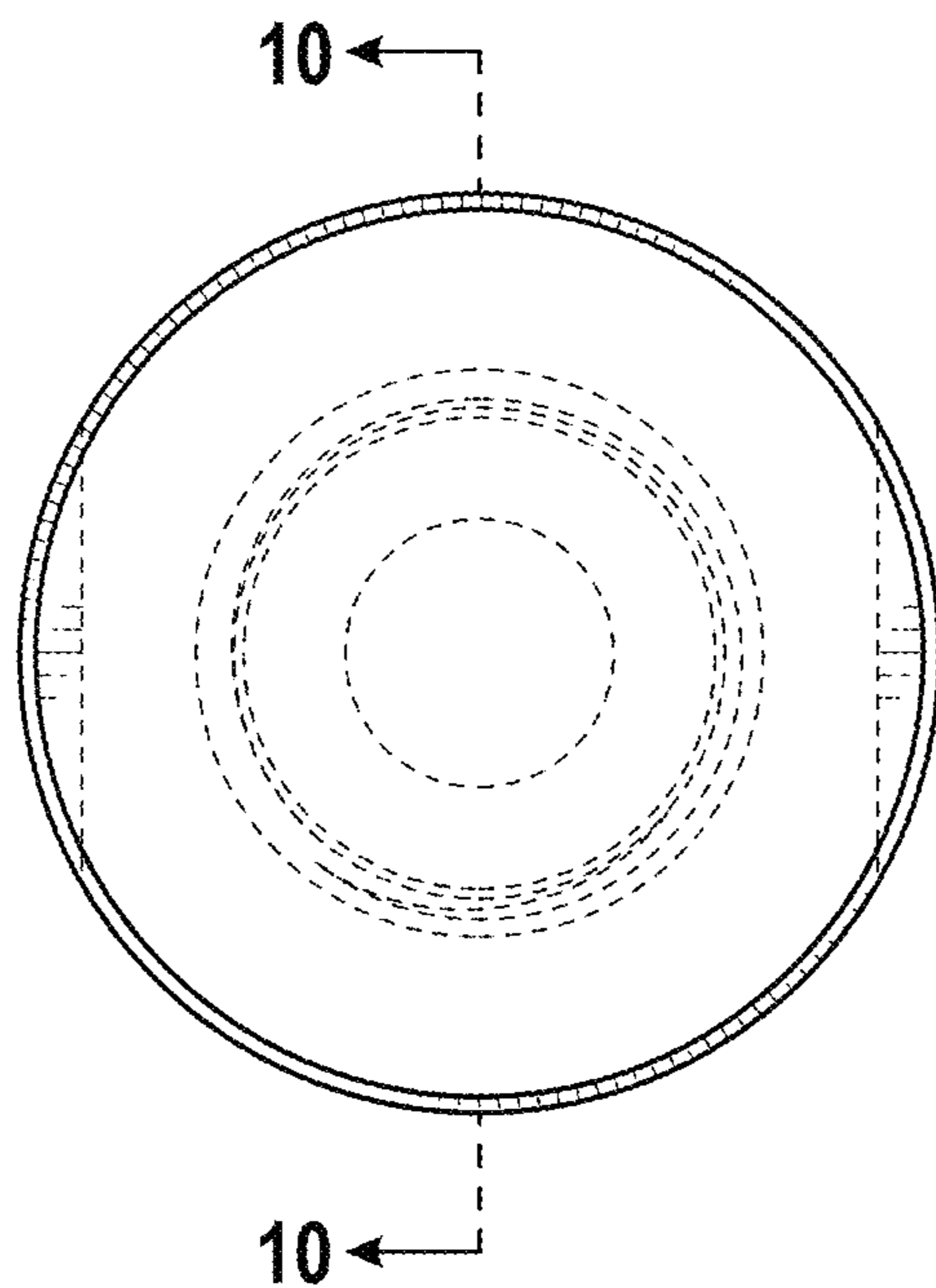


FIG. 3

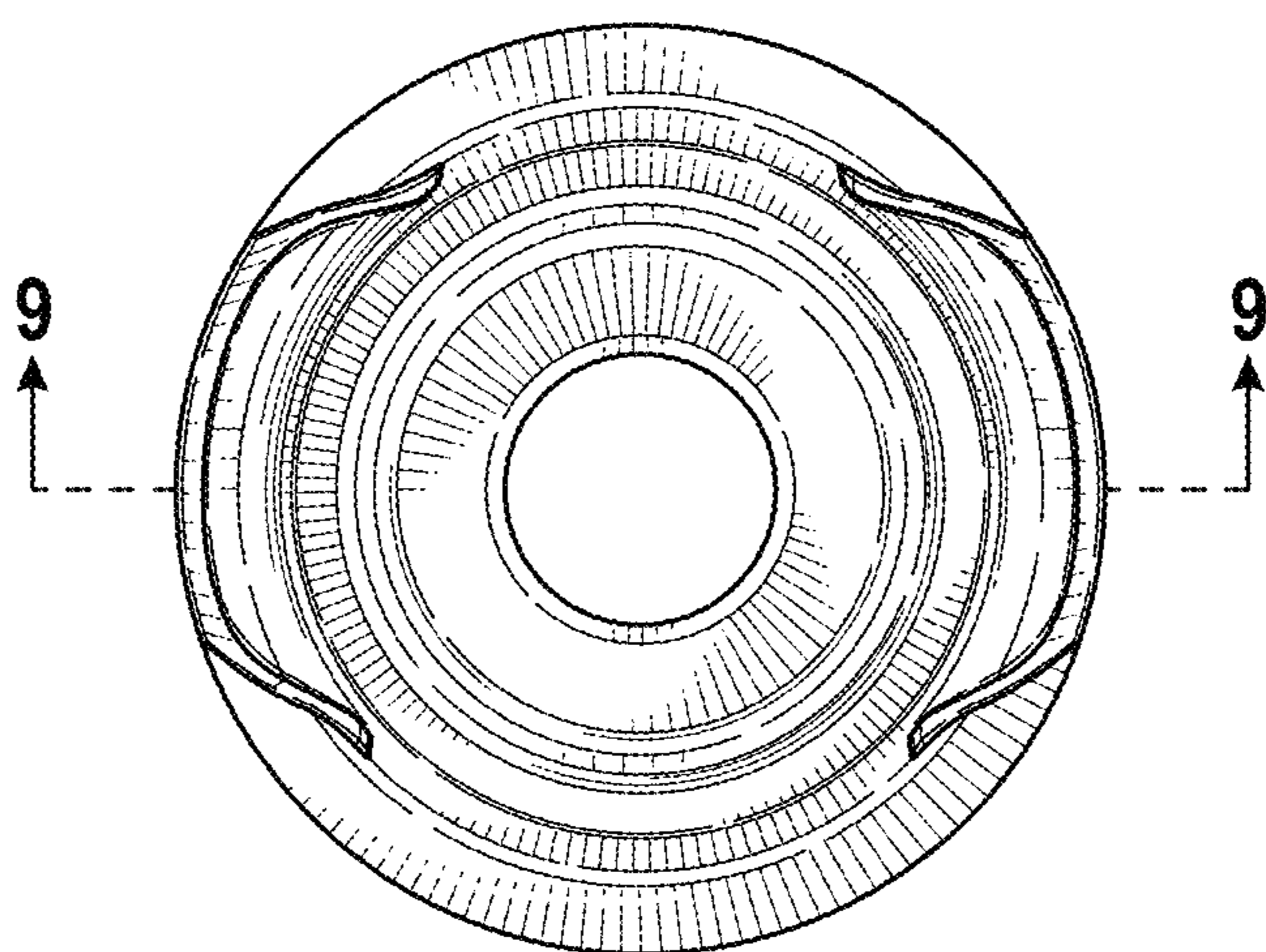


FIG. 4

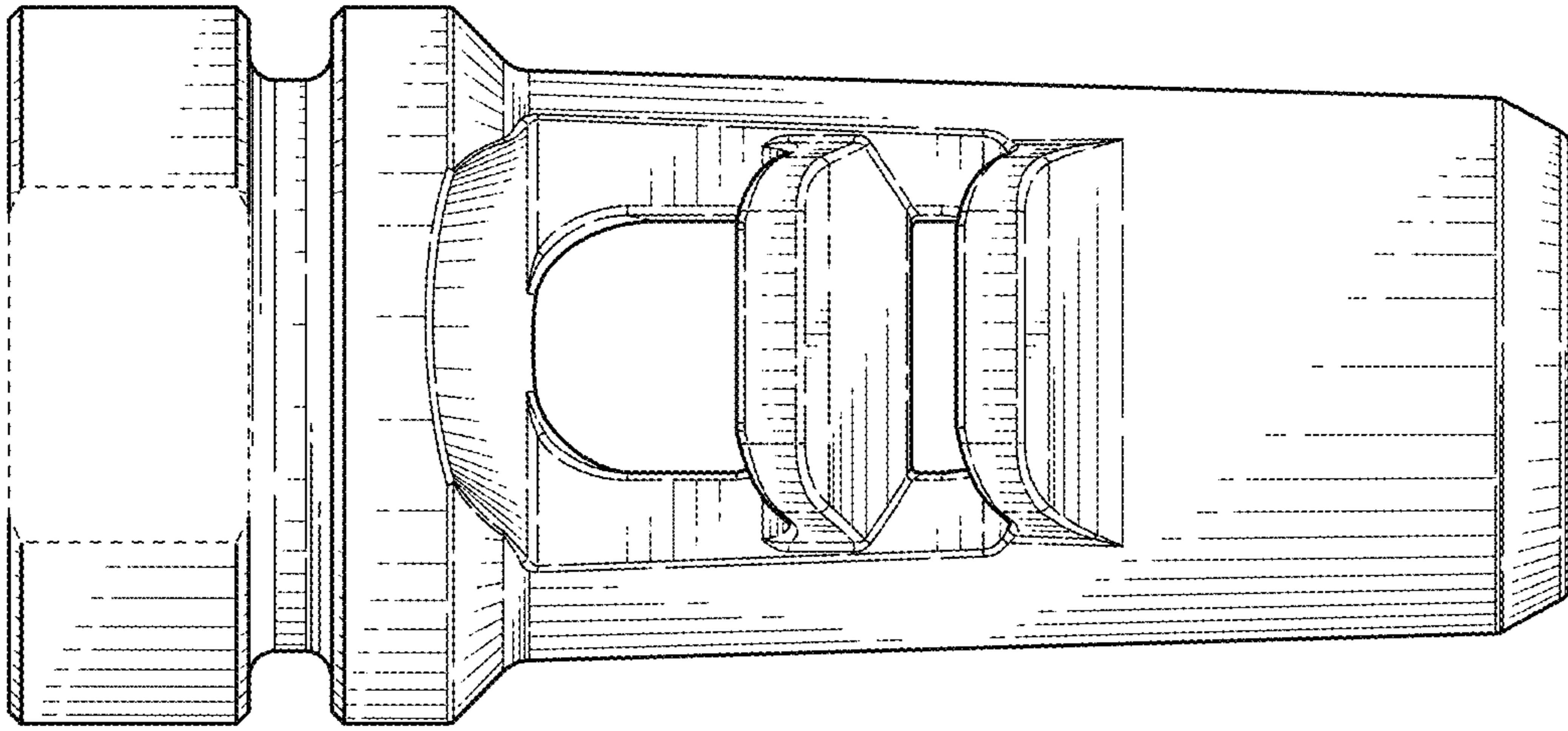


FIG. 5

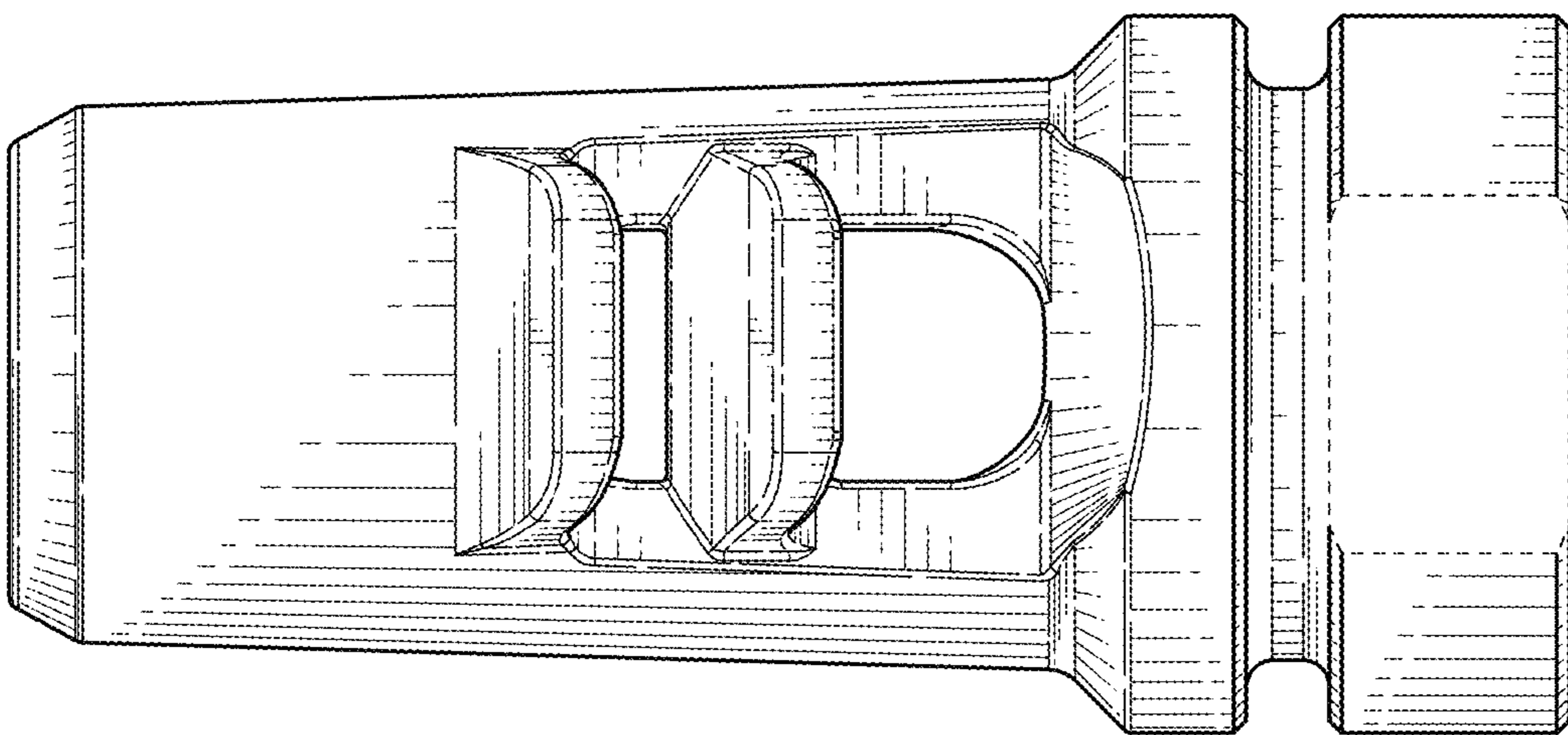


FIG. 6

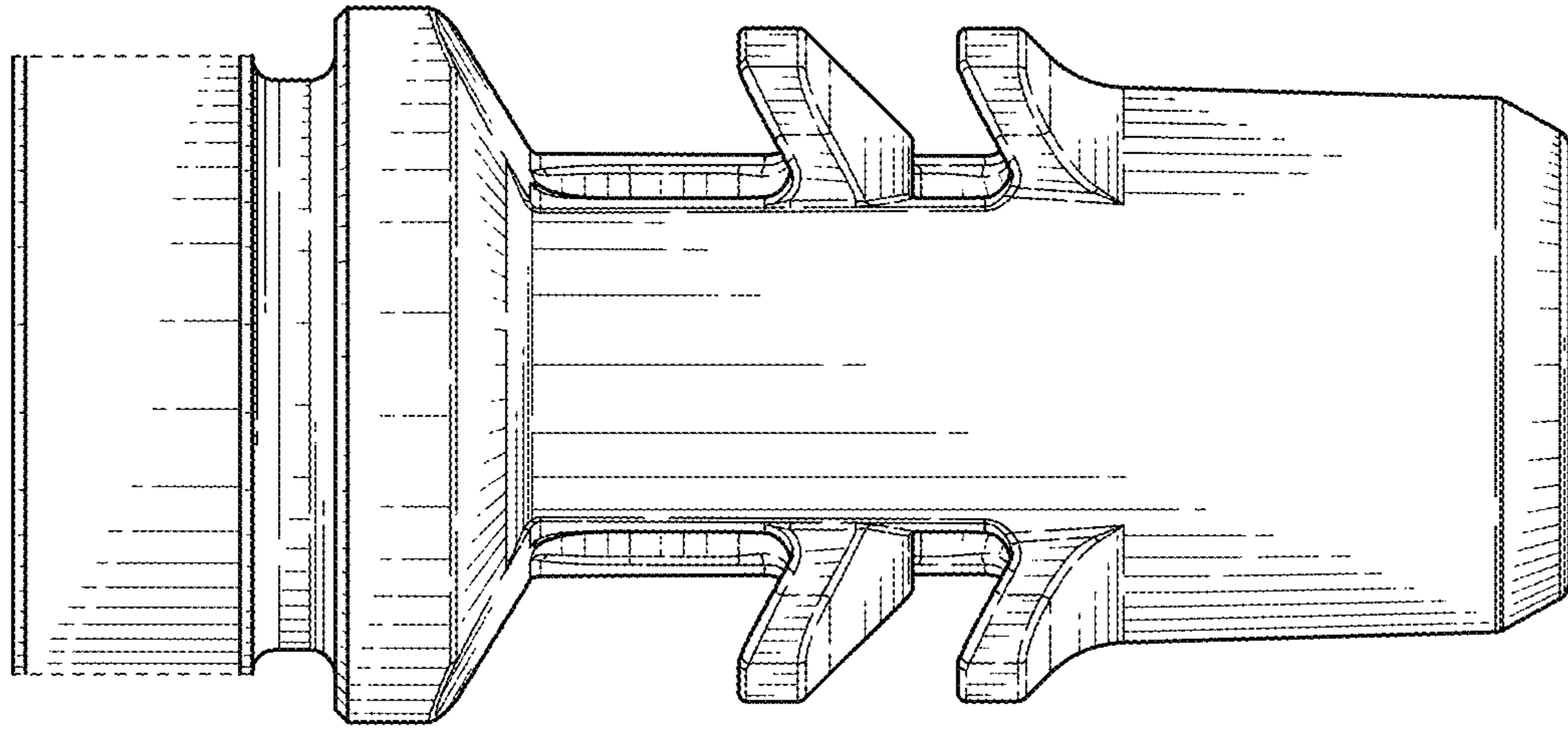


FIG. 7

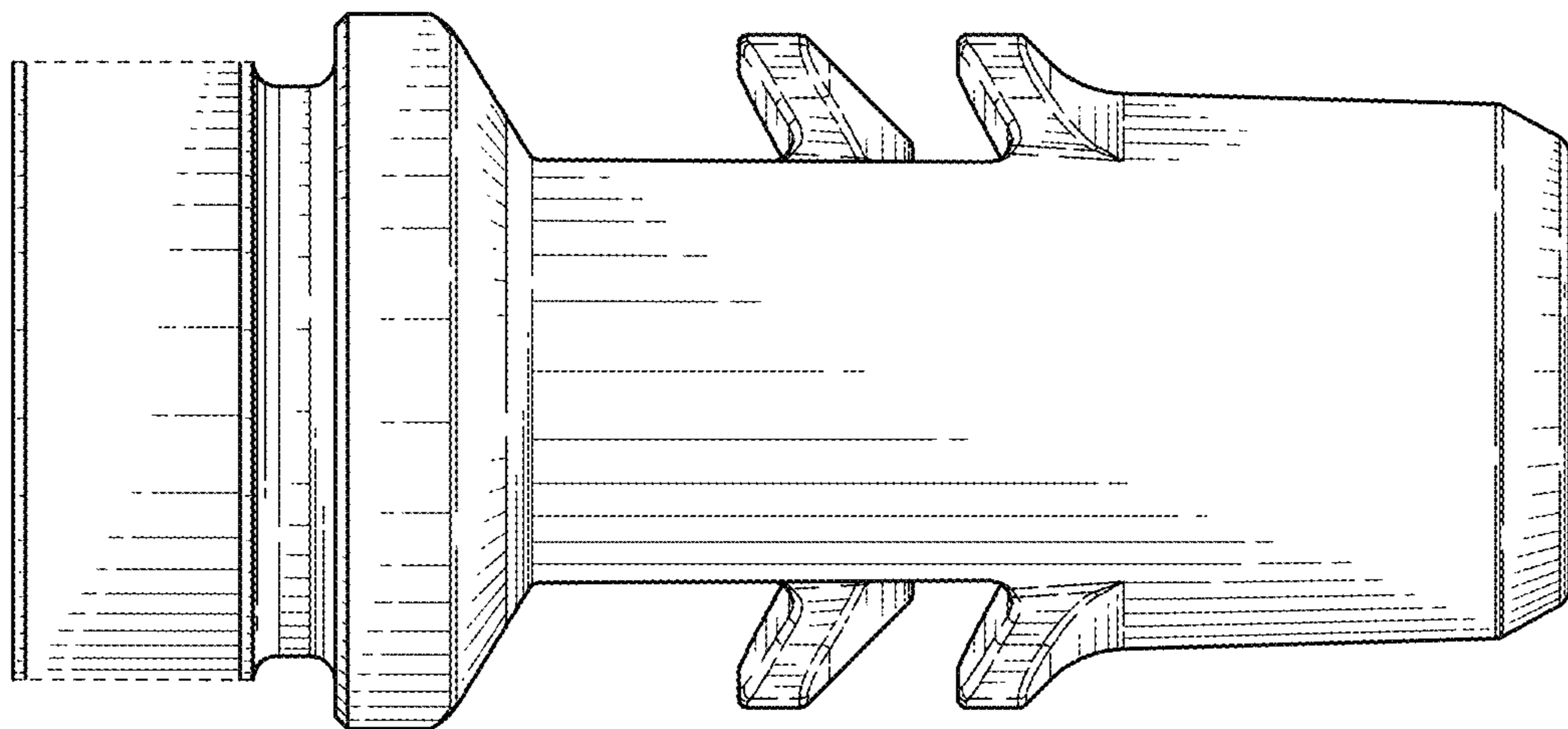


FIG. 8

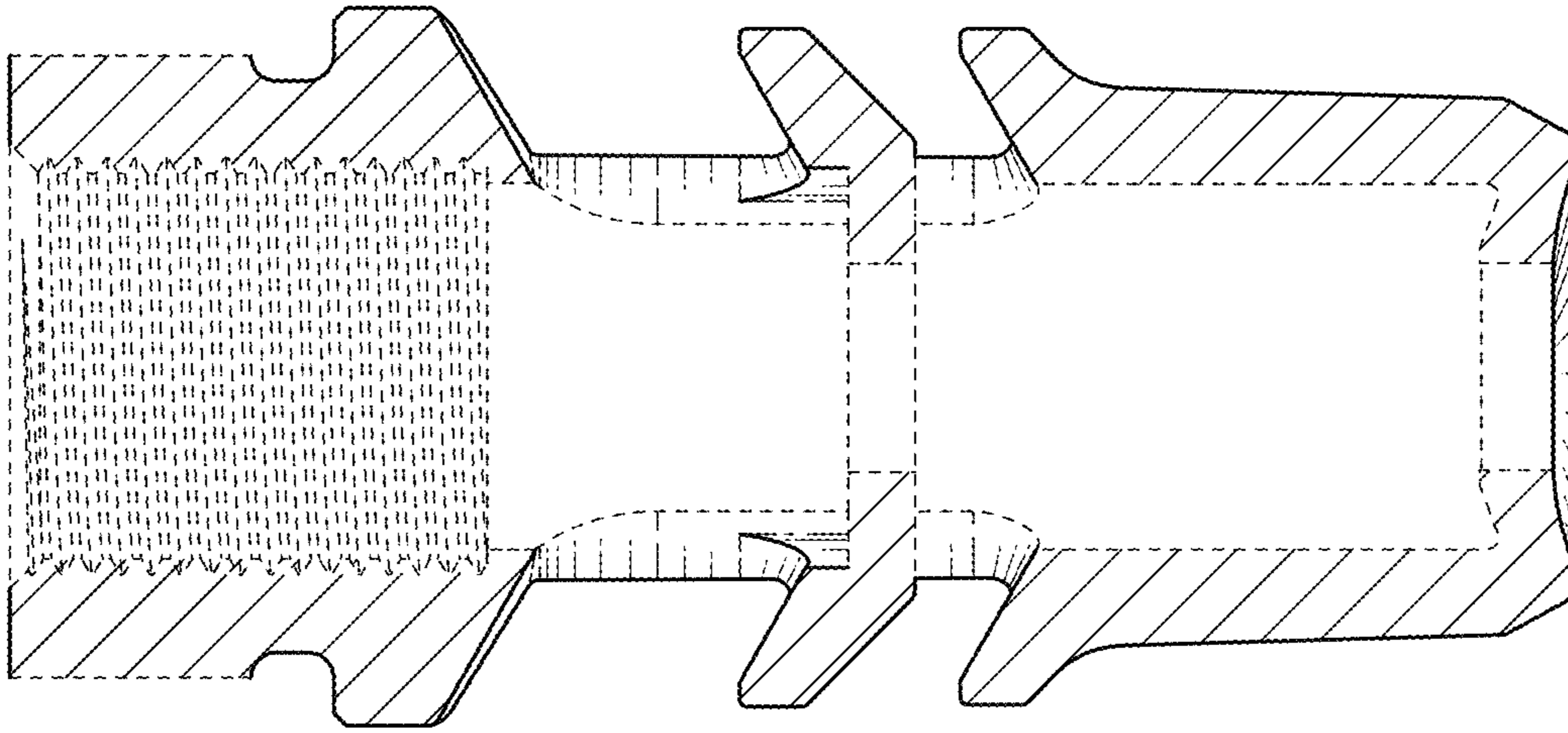


FIG. 9

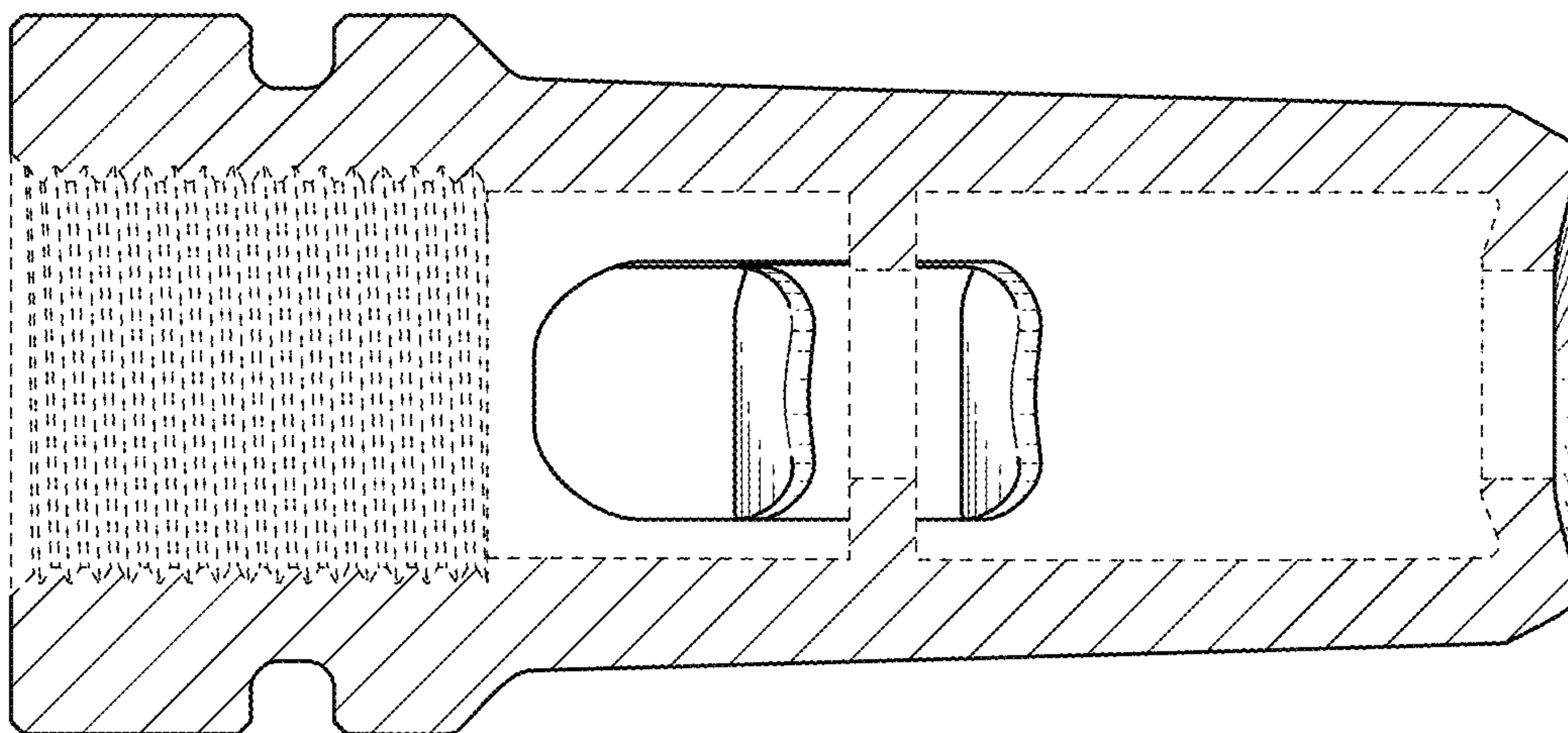


FIG. 10