



US00D759187S

(12) **United States Design Patent**
Geissele

(10) **Patent No.:** **US D759,187 S**

(45) **Date of Patent:** **** Jun. 14, 2016**

(54) **FIREARM RAIL WEIGHT**

(71) Applicant: **WHG Properties, LLC**, North Wales, PA (US)

(72) Inventor: **William H. Geissele**, Lower Gwynedd, PA (US)

(73) Assignee: **WHG Properties, LLC**, North Wales, PA (US)

(**) Term: **14 Years**

(21) Appl. No.: **29/514,853**

(22) Filed: **Jan. 16, 2015**

(51) **LOC (10) Cl.** **22-01**

(52) **U.S. Cl.**
USPC **D22/108**

(58) **Field of Classification Search**
USPC D22/108
CPC F41C 27/22
See application file for complete search history.

(56) **References Cited**

U.S. PATENT DOCUMENTS

2,140,945	A *	12/1938	Swartz	F41C 27/22 42/97
2,240,681	A *	5/1941	Swartz	F41C 27/22 42/97
2,921,396	A *	1/1960	Larson	F41C 27/22 42/97
5,225,615	A *	7/1993	Talbot	F41A 21/36 42/79

(Continued)

OTHER PUBLICATIONS

Bushmaster Website, Competition Handguard Balance Weight (2013).

Primary Examiner — Michael A Pratt

(74) *Attorney, Agent, or Firm* — Merchant & Gould, P.C.

(57) **CLAIM**

The ornamental design for a firearm rail weight, as shown and described.

DESCRIPTION

FIG. 1 is a rear, top, right side perspective view of an embodiment of a firearm rail weight according to the present disclosure;

FIG. 2 is a front, top, left side perspective view of the embodiment of FIG. 1;

FIG. 3 is a top view of the embodiment of FIG. 1;

FIG. 4 is a bottom view of the embodiment of FIG. 1;

FIG. 5 is a front view of the embodiment of FIG. 1;

FIG. 6 is a rear view of the embodiment of FIG. 1;

FIG. 7 is a right side view of the embodiment of FIG. 1;

FIG. 8 a left side view of the embodiment of FIG. 1;

FIG. 9 is an alternative embodiment of a firearm rail weight in accordance with the present disclosure showing a front, top, left side perspective view of two firearm rail weights mounted in a firearm rail;

FIG. 10 is a rear, bottom, left side perspective view of the embodiment of FIG. 9;

FIG. 11 is a left side view of the embodiment of FIG. 9;

FIG. 12 is a right side view of the embodiment of FIG. 9;

FIG. 13 is a rear view of the embodiment of FIG. 9;

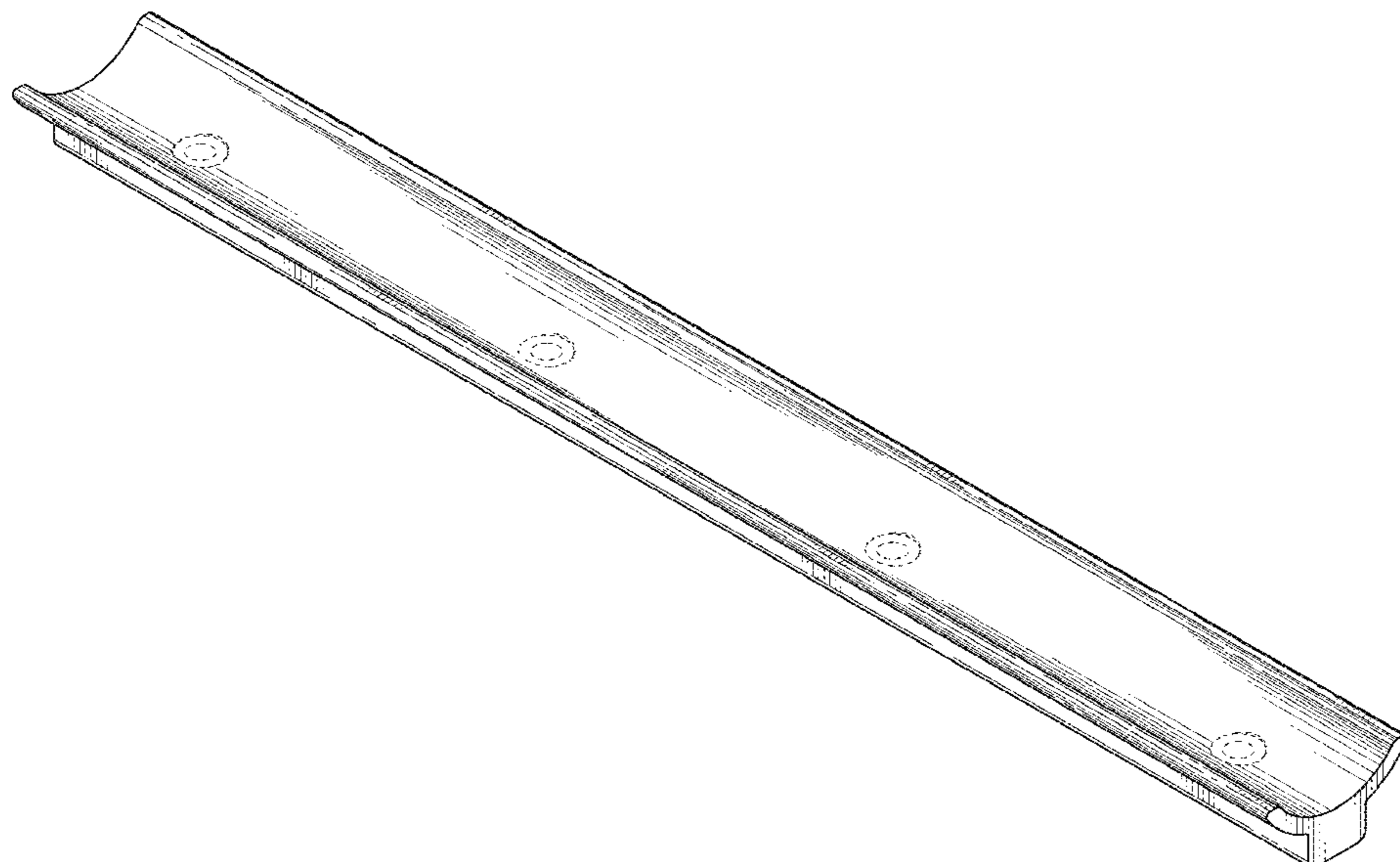
FIG. 14 is a front view of the embodiment of FIG. 9;

FIG. 15 is a top view of the embodiment of FIG. 9; and,

FIG. 16 is a bottom view of the embodiment of FIG. 9.

The broken lines in the Figures are for illustrative purposes only and form no part of the claimed design.

1 Claim, 9 Drawing Sheets



(56)

References Cited

8,448,371 B1 * 5/2013 Wilhelm F41C 27/22
42/97

U.S. PATENT DOCUMENTS

5,305,678 A * 4/1994 Talbot F41A 21/36
42/1.06

* cited by examiner

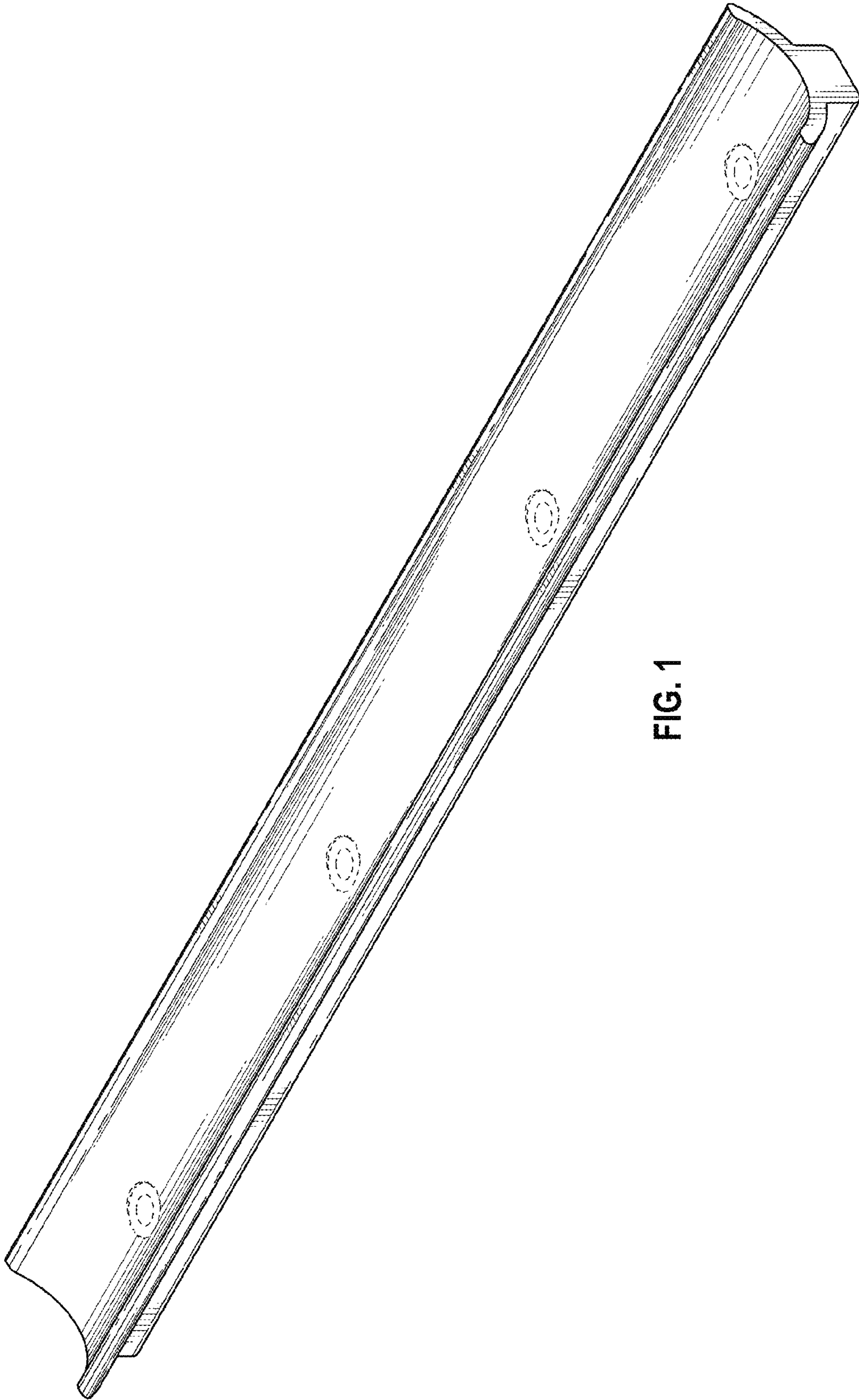


FIG. 1

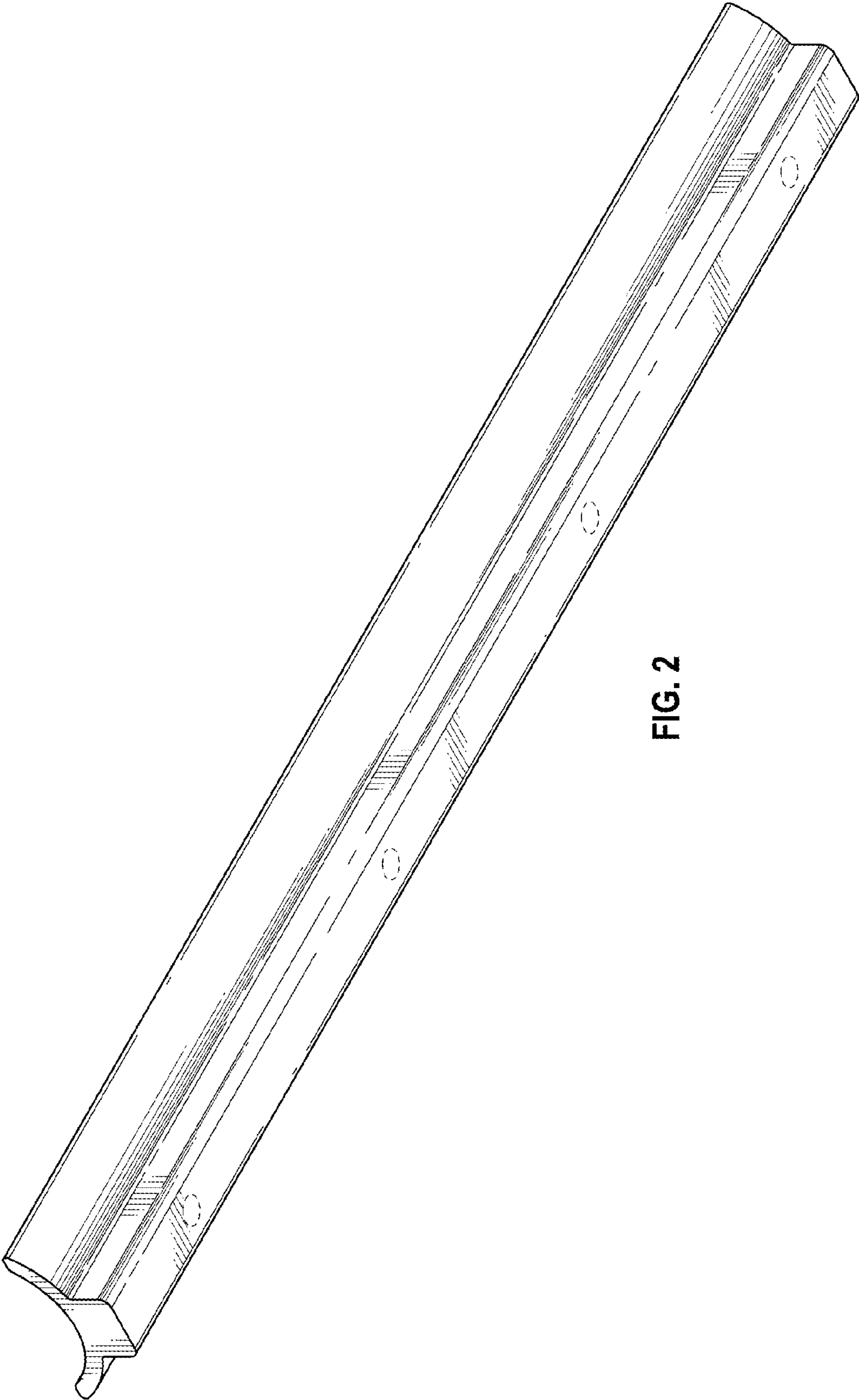


FIG. 2

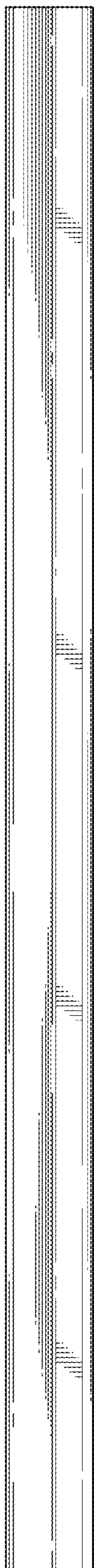


FIG. 3

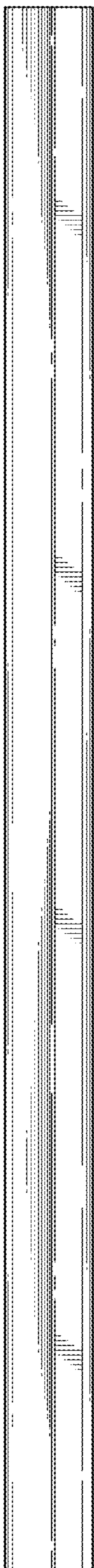


FIG. 4

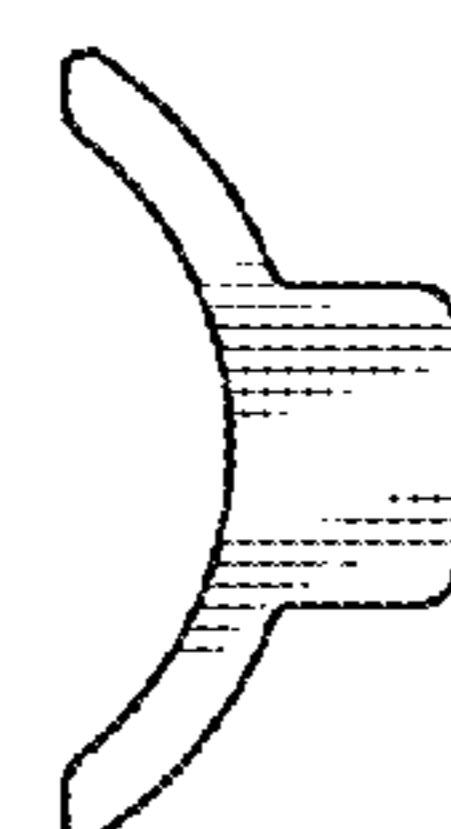


FIG. 5

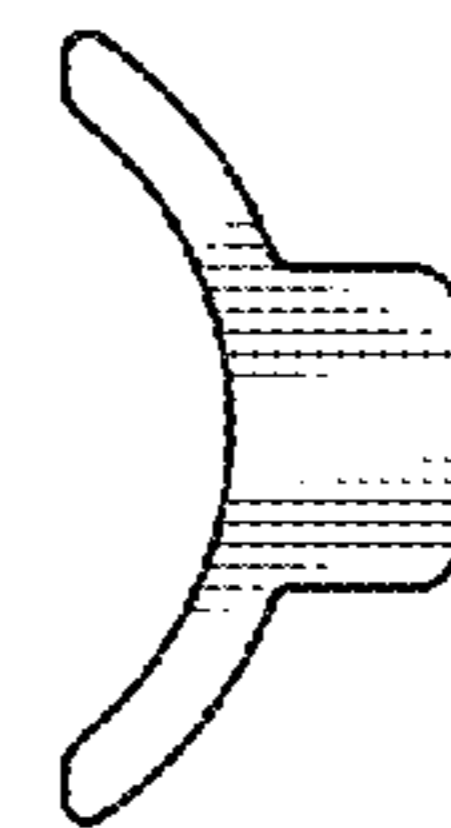


FIG. 6

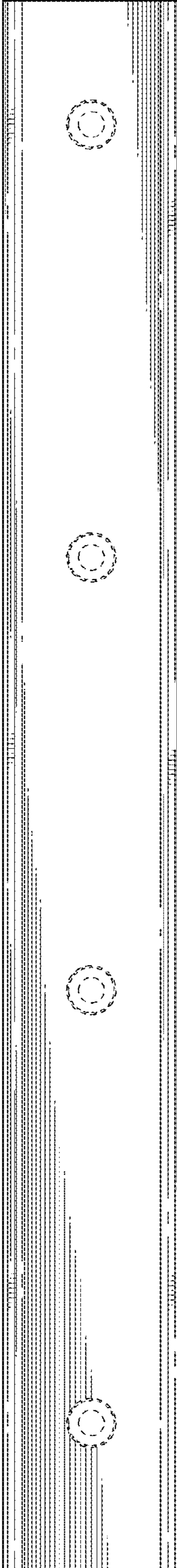


FIG. 7

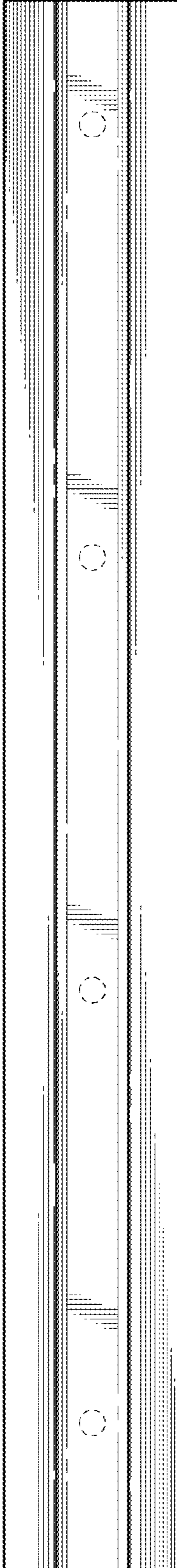


FIG. 8

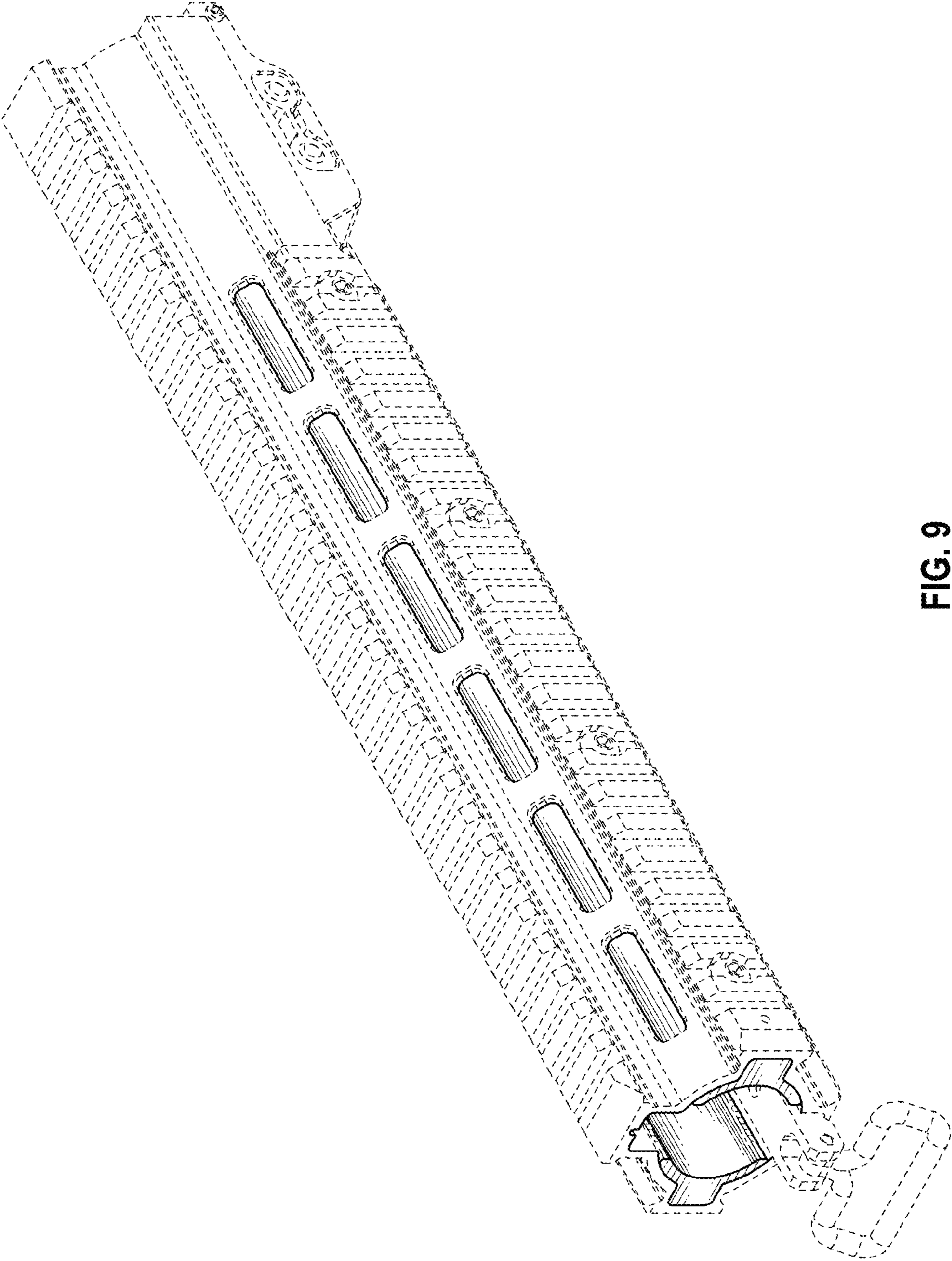


FIG. 9

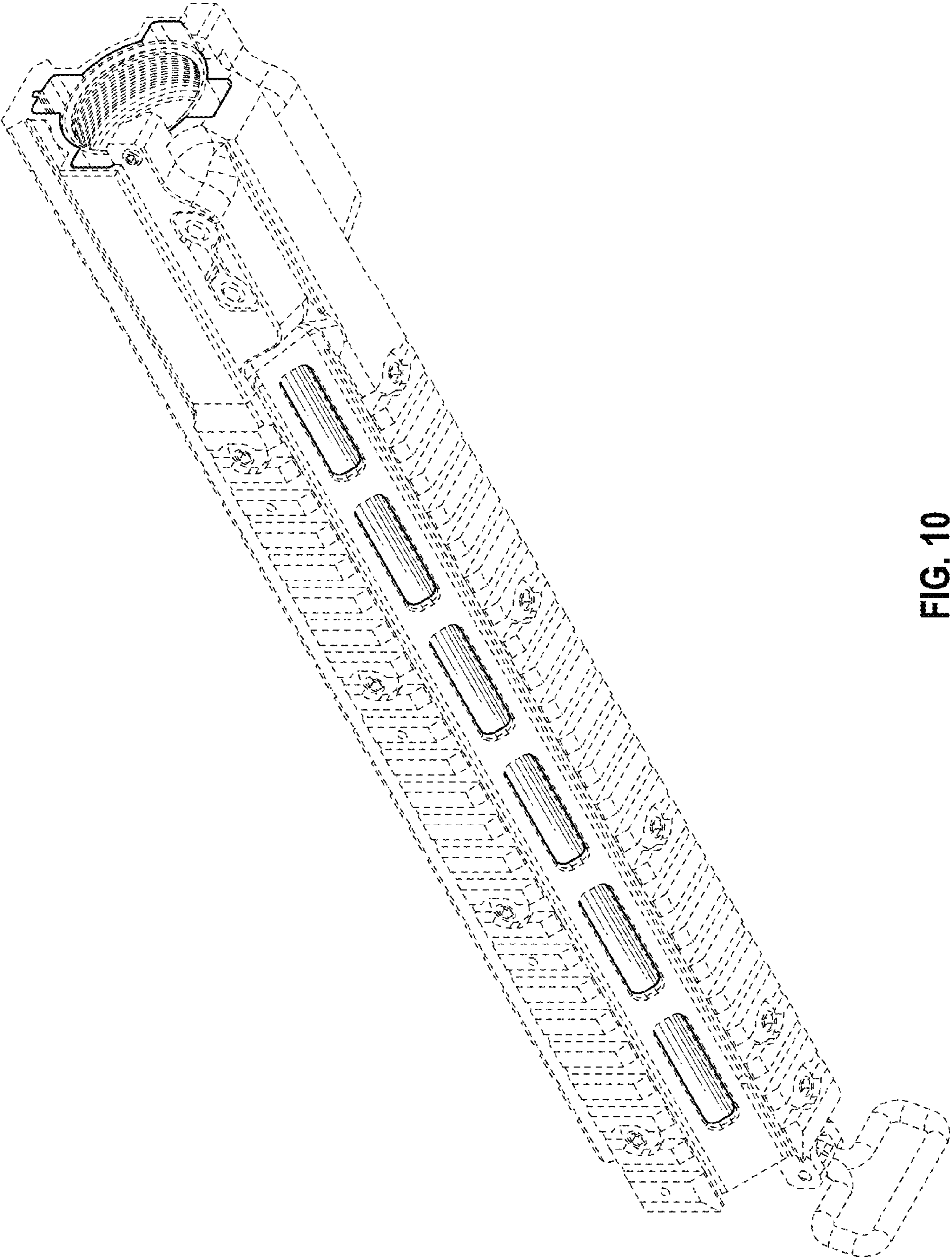


FIG. 10

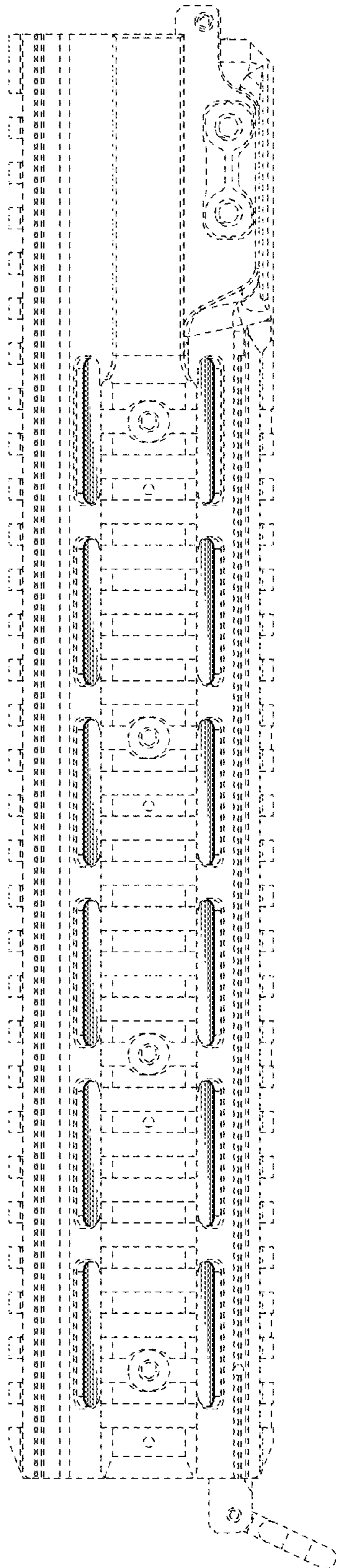


FIG. 11

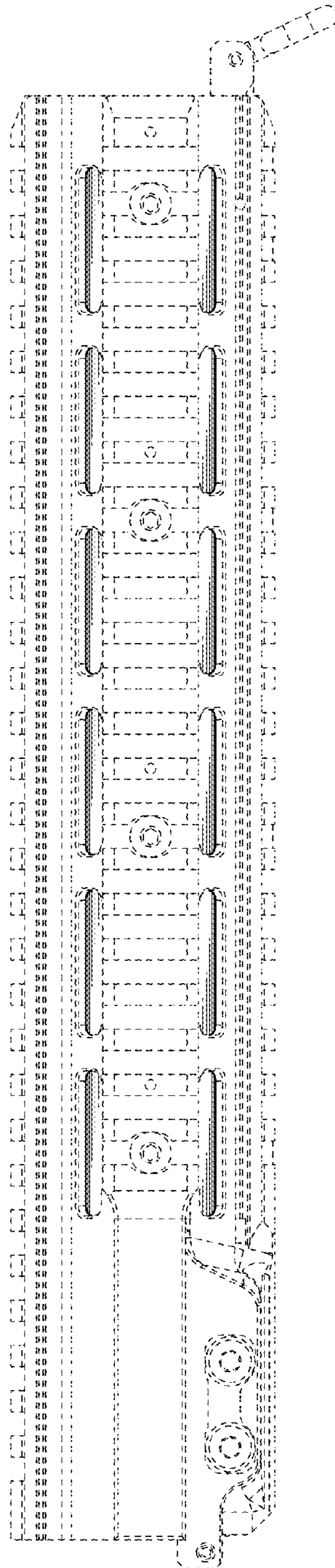


FIG. 12

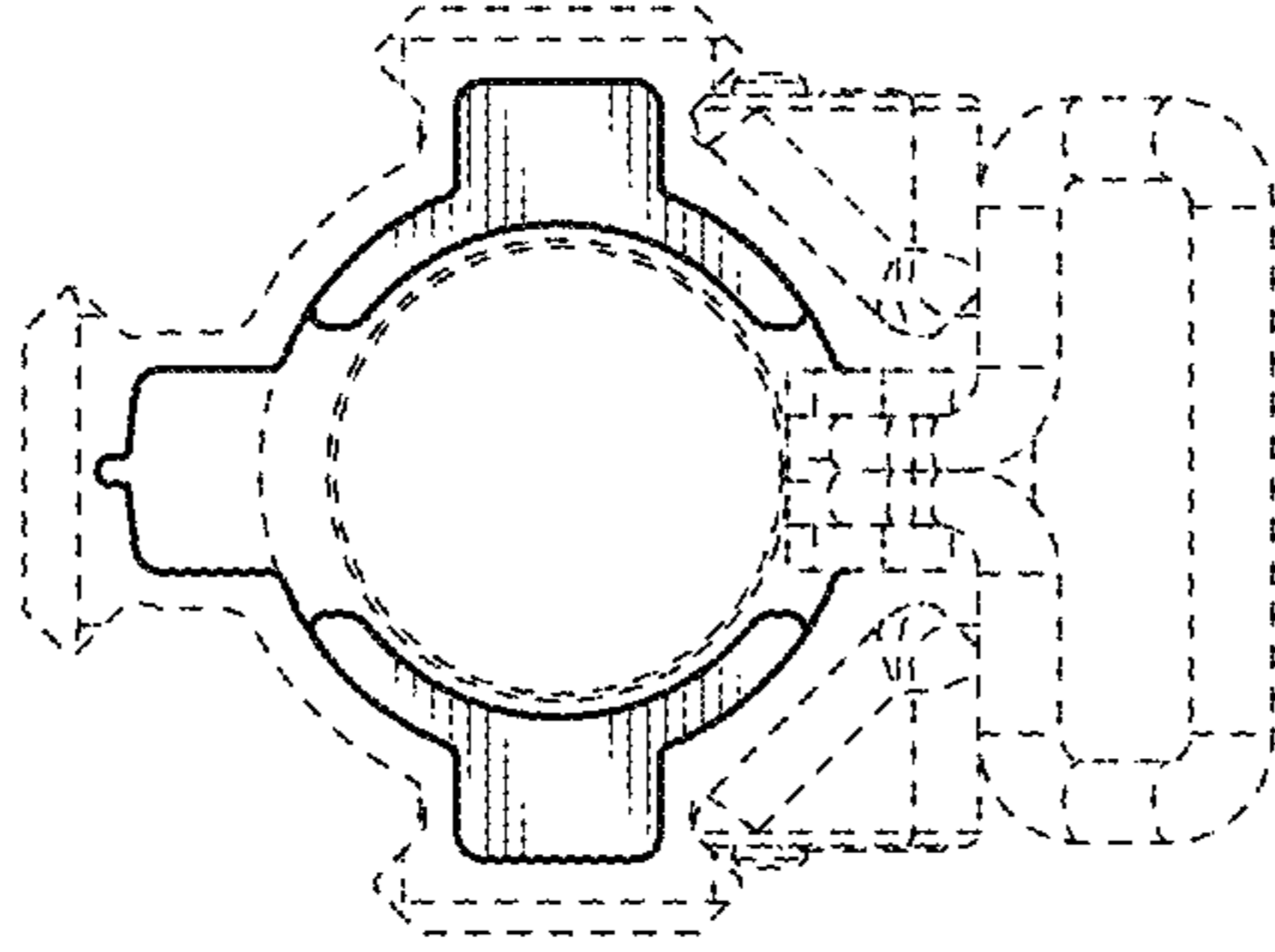


FIG. 14

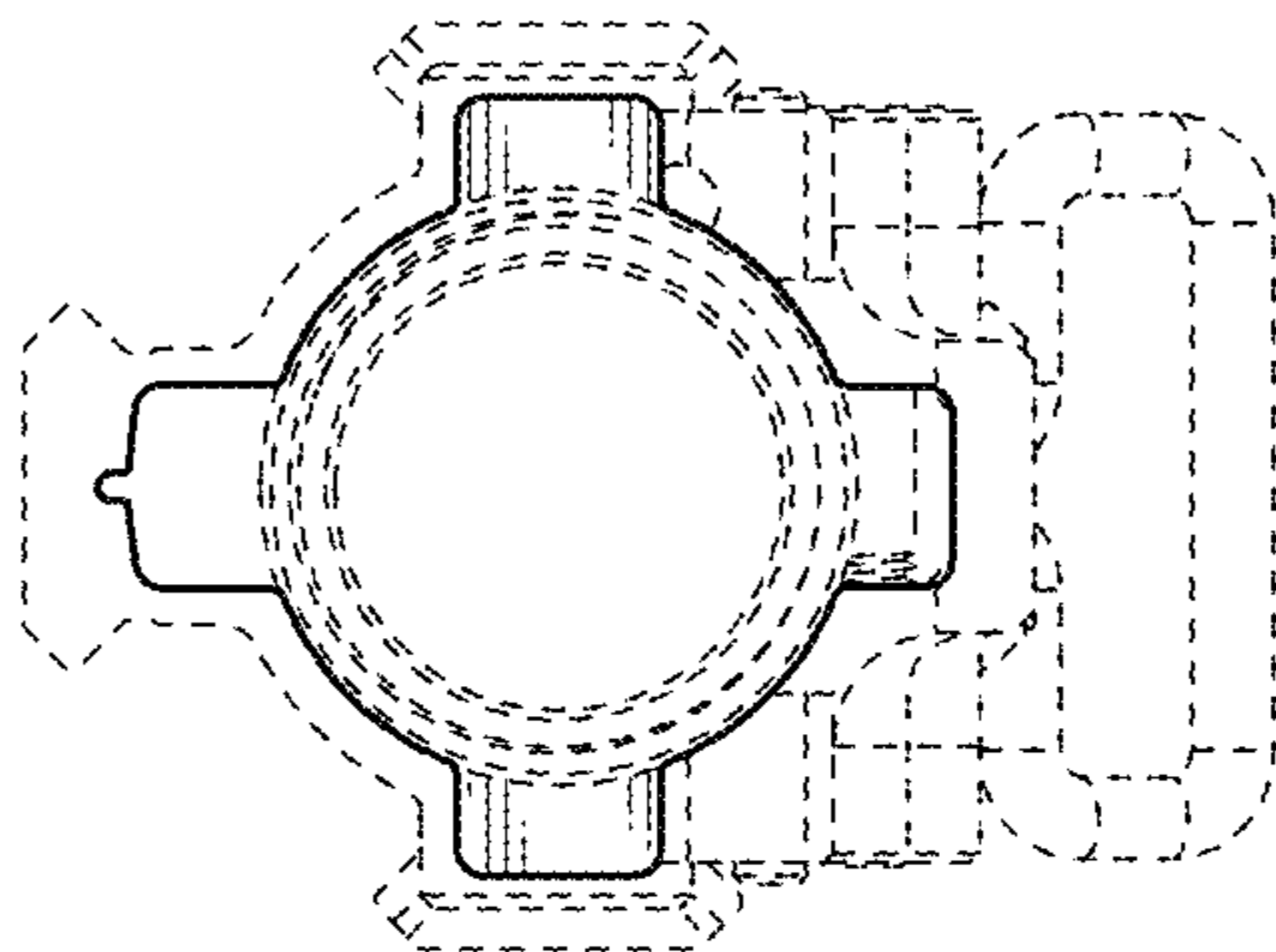


FIG. 13

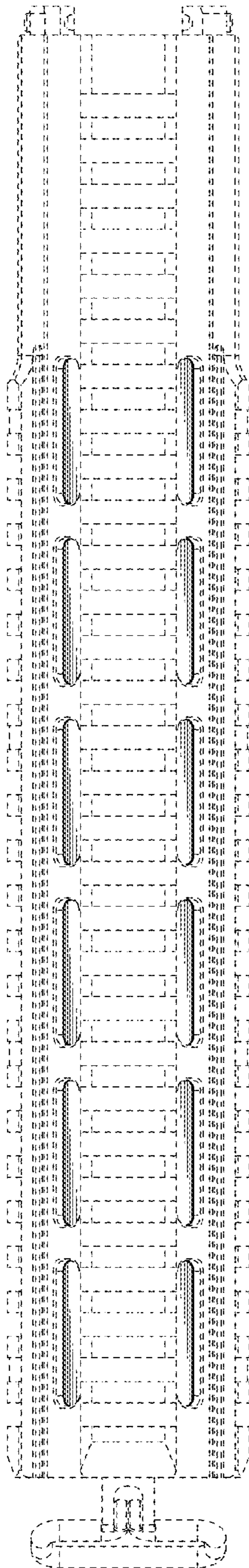


FIG. 15

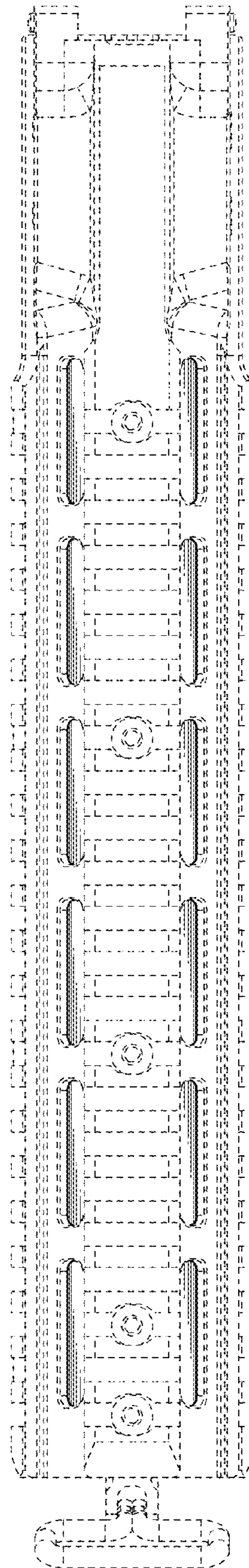


FIG. 16