



US00D759186S

(12) **United States Design Patent**  
**Geissele**

(10) **Patent No.:** **US D759,186 S**  
(45) **Date of Patent:** **\*\* Jun. 14, 2016**

(54) **FIREARM SLING SWIVEL**

(71) Applicant: **WHG Properties, LLC**, North Wales, PA (US)

(72) Inventor: **William H. Geissele**, Lower Gwynedd, PA (US)

(73) Assignee: **WHG Properties, LLC**, North Wales, PA (US)

(\*\*) Term: **14 Years**

(21) Appl. No.: **29/514,838**

(22) Filed: **Jan. 16, 2015**

(51) **LOC (10) Cl.** ..... **22-01**

(52) **U.S. Cl.**  
USPC ..... **D22/108**

(58) **Field of Classification Search**  
USPC ..... D22/108; D8/356; D3/214–215, 221, D3/262, 327–328; D29/101.1, 101.2  
CPC .... F41C 33/002; F41C 33/001; F41C 33/006; F41C 33/007; F41C 23/02; A45F 2003/142; A45F 3/12  
See application file for complete search history.

(56) **References Cited**

**U.S. PATENT DOCUMENTS**

1,913,841 A \* 6/1933 Lowe ..... A41C 23/02  
24/265 R  
2,190,268 A \* 2/1940 Magid ..... F41C 23/02  
16/446

(Continued)

**OTHER PUBLICATIONS**

Bushmaster Website, Competition Handguard Balance Weight (2013).

*Primary Examiner* — Michael A Pratt

(74) *Attorney, Agent, or Firm* — Merchant & Gould, P.C.

(57) **CLAIM**

The ornamental design for a firearm sling swivel, as shown and described.

**DESCRIPTION**

FIG. 1 is a front, bottom, left side perspective view of an embodiment of a firearm sling swivel according to the present disclosure;

FIG. 2 is a rear, top, left side perspective view of the embodiment of FIG. 1;

FIG. 3 is a top view of the embodiment of FIG. 1;

FIG. 4 is a bottom view of the embodiment of FIG. 1;

FIG. 5 is a front view of the embodiment of FIG. 1;

FIG. 6 is a rear view of the embodiment of FIG. 1;

FIG. 7 is a right side view of the embodiment of FIG. 1;

FIG. 8 is a left side view of the embodiment of FIG. 1;

FIG. 9 is a front, bottom, left side perspective view of an alternative embodiment of a firearm sling swivel according to the present disclosure;

FIG. 10 is a rear, top, left side perspective view of the embodiment of FIG. 9;

FIG. 11 is a top view of the embodiment of FIG. 9;

FIG. 12 is a bottom view of the embodiment of FIG. 9;

FIG. 13 is a front view of the embodiment of FIG. 9;

FIG. 14 is a rear view of the embodiment of FIG. 9;

FIG. 15 is a right side view of the embodiment of FIG. 9;

FIG. 16 is a left side view of the embodiment of FIG. 9;

FIG. 17 is a further alternative embodiment of a firearm sling swivel in accordance with the present disclosure showing a front, top, left side perspective view of a firearm sling swivel mounted in a firearm rail;

FIG. 18 is a rear, bottom, left side perspective view of the embodiment of FIG. 17;

FIG. 19 is a left side view of the embodiment of FIG. 17;

FIG. 20 is a right side view of the embodiment of FIG. 17;

FIG. 21 is a front view of the embodiment of FIG. 17;

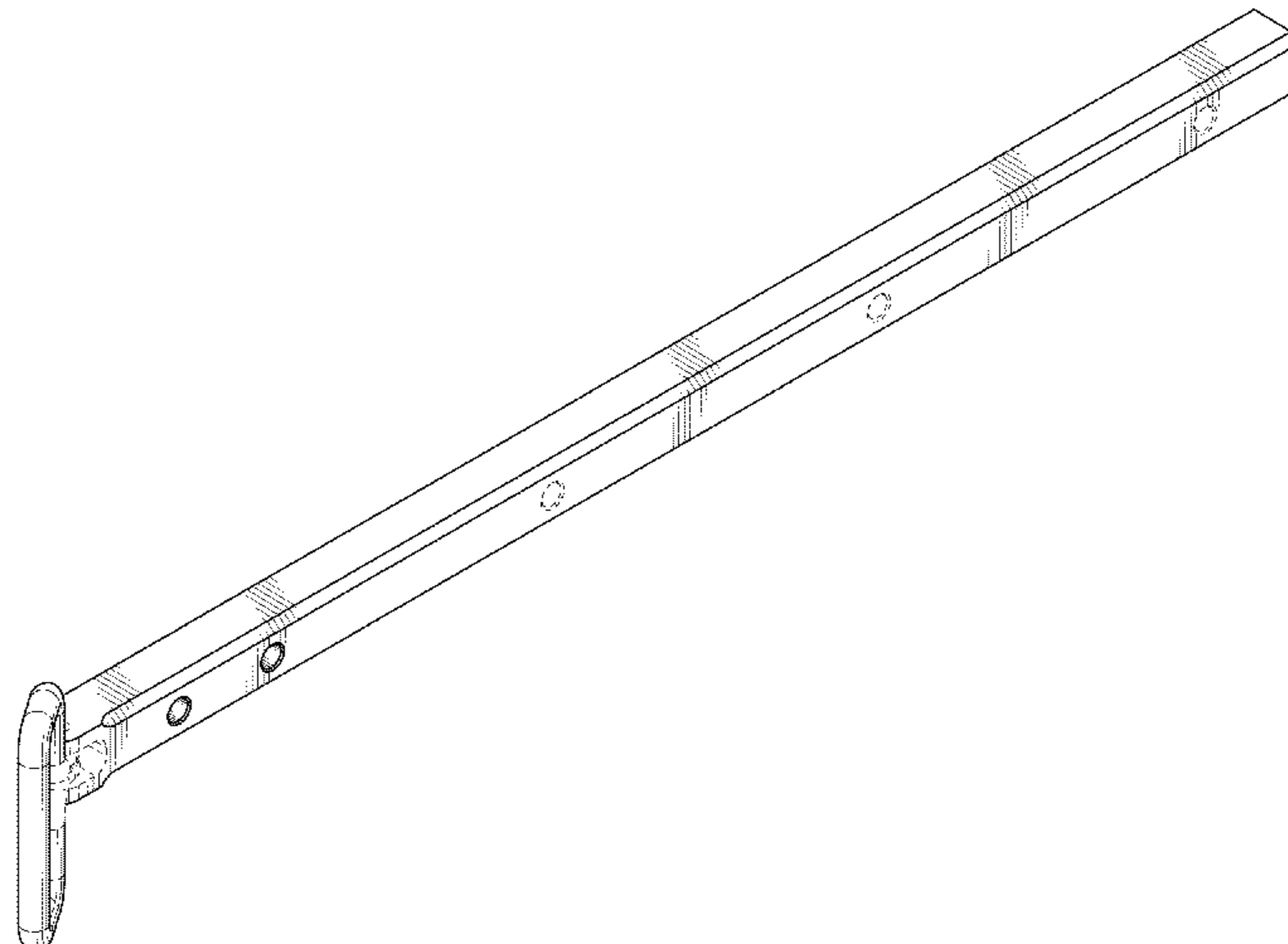
FIG. 22 is a rear view of the embodiment of FIG. 17;

FIG. 23 is a top view of the embodiment of FIG. 17; and,

FIG. 24 is a bottom view of the embodiment of FIG. 17.

The broken lines in the Figures are for illustrative purposes only and form no part of the claimed design.

**1 Claim, 13 Drawing Sheets**



# US D759,186 S

Page 2

---

(56)

## References Cited

### U.S. PATENT DOCUMENTS

4,454,675 A \* 6/1984 Ives ..... F41C 23/02  
42/85  
4,505,012 A \* 3/1985 Johnson ..... F41C 23/02  
224/150  
5,067,267 A \* 11/1991 Ives ..... F41C 23/02  
224/150

D455,191 S \* 4/2002 Norris, Sr. .... D22/108  
7,654,027 B1 \* 2/2010 Grover ..... F16B 21/165  
24/573.11  
D639,890 S \* 6/2011 Troy, Jr. .... D22/108  
D697,160 S \* 1/2014 Satzinger ..... D22/108  
8,832,986 B2 \* 9/2014 Mayberry ..... F41C 33/006  
224/150  
D725,217 S \* 3/2015 Heidkamp ..... D22/108  
D725,221 S \* 3/2015 Geissele ..... D22/108

\* cited by examiner

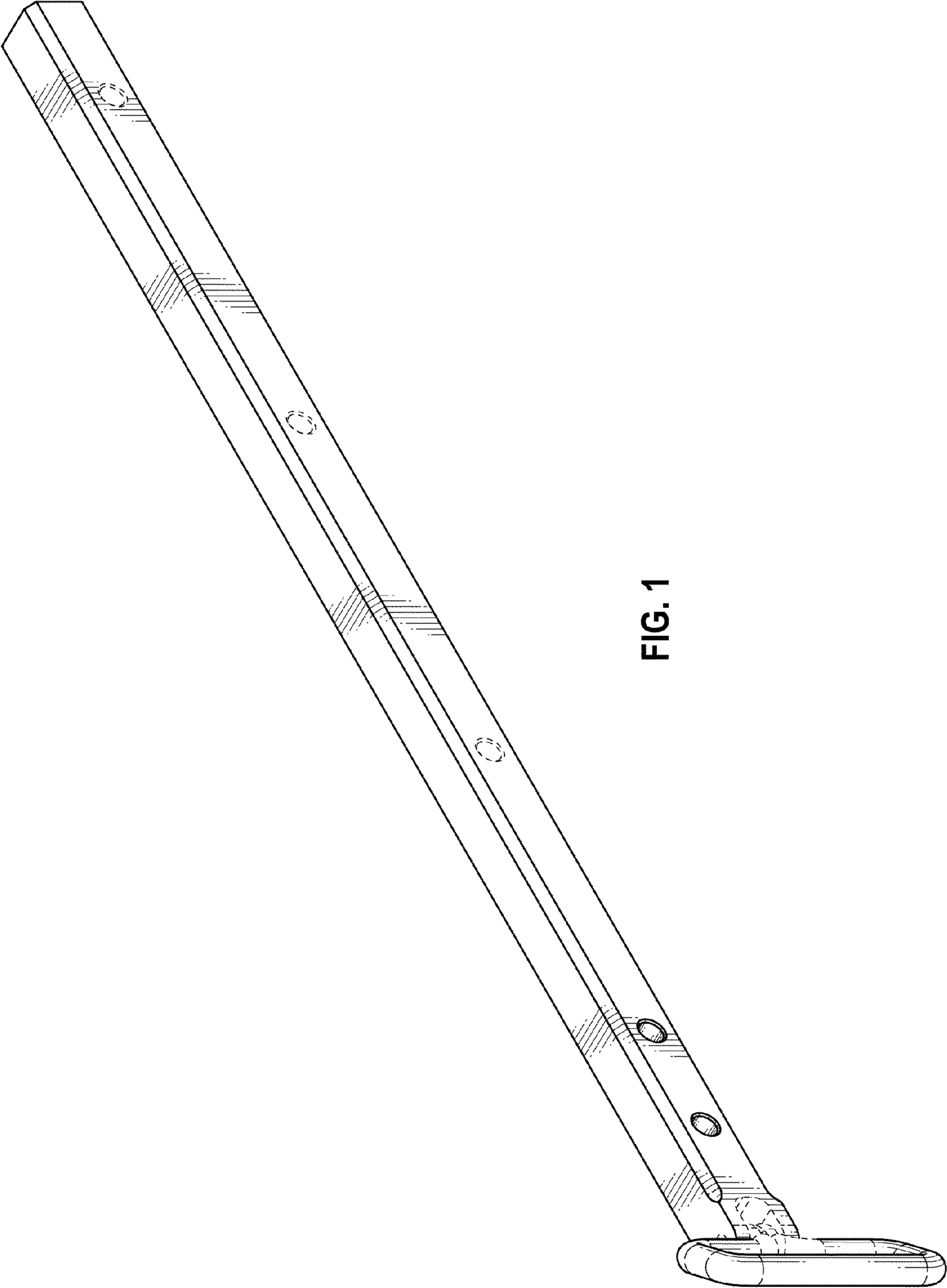


FIG. 1

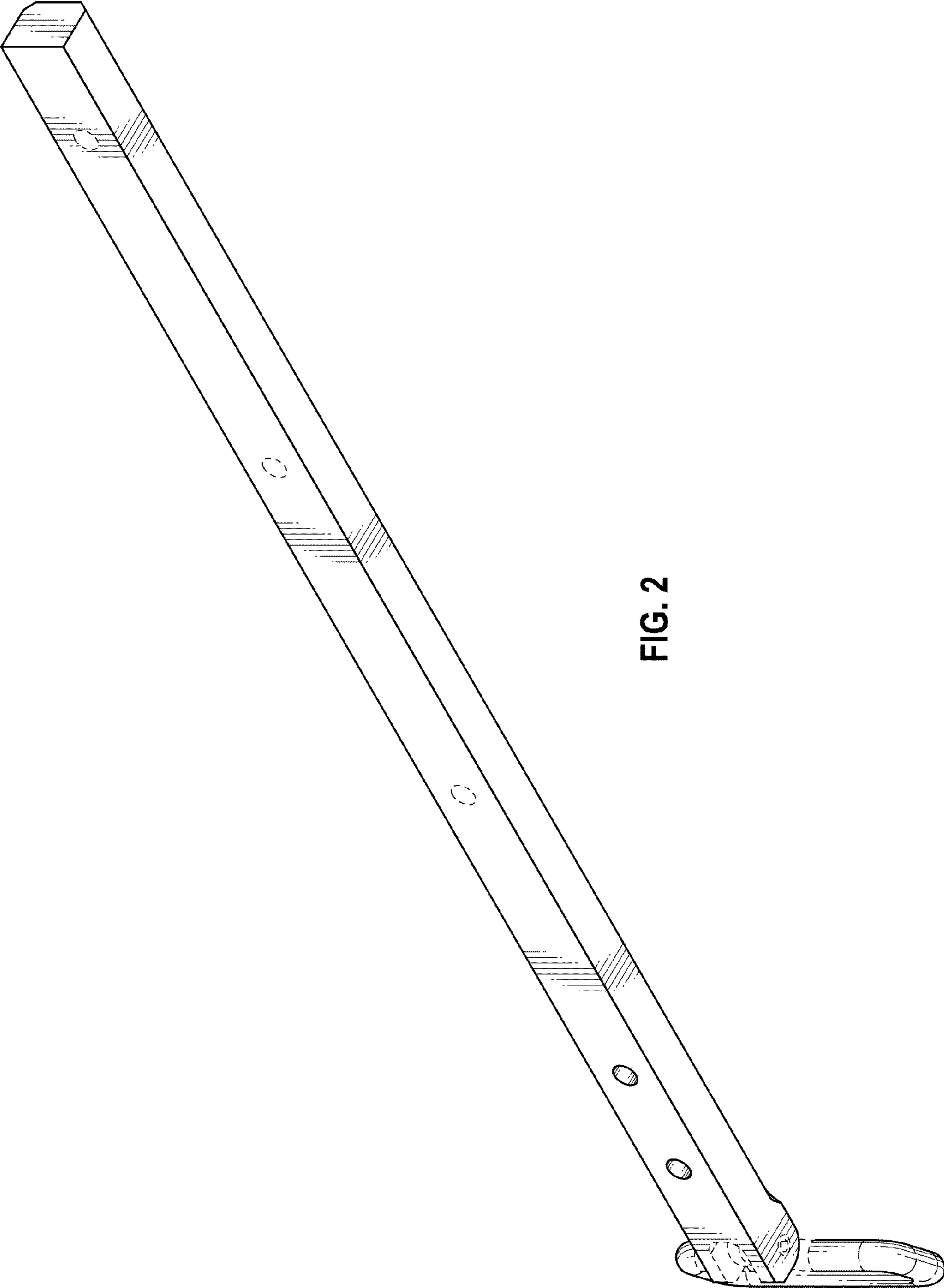


FIG. 2

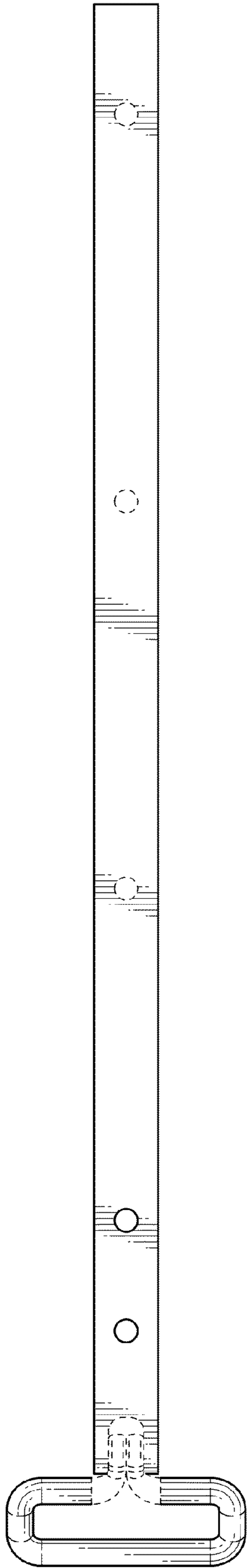


FIG. 3

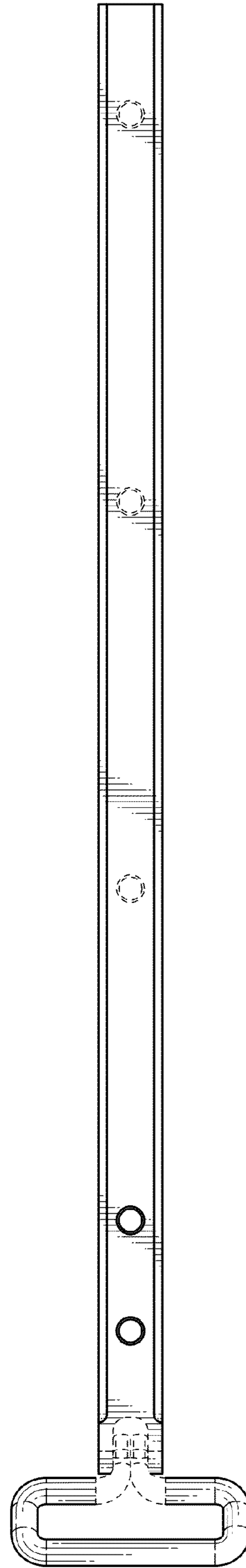


FIG. 4

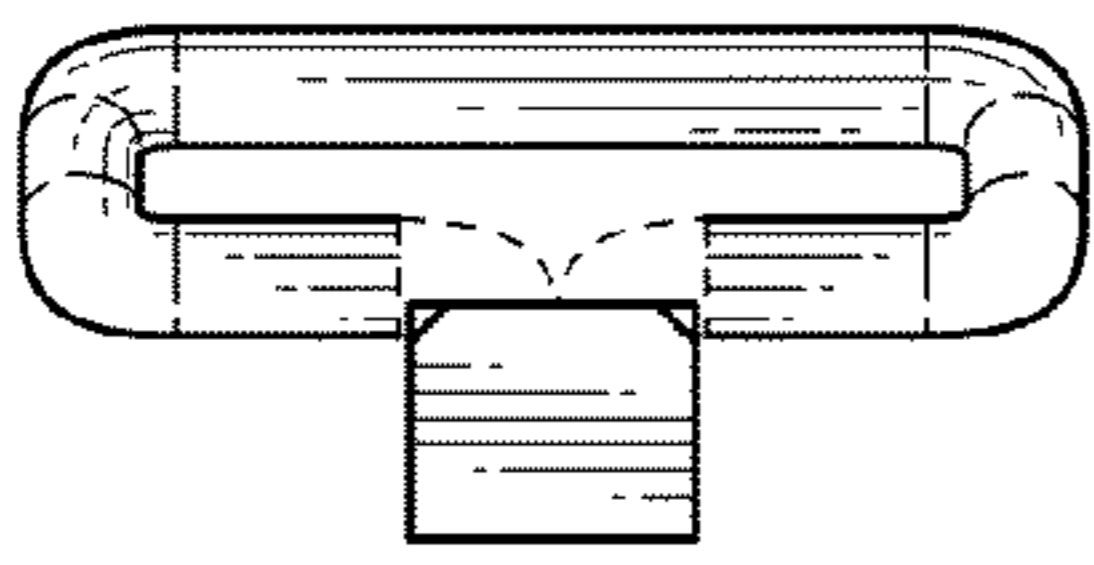


FIG. 5

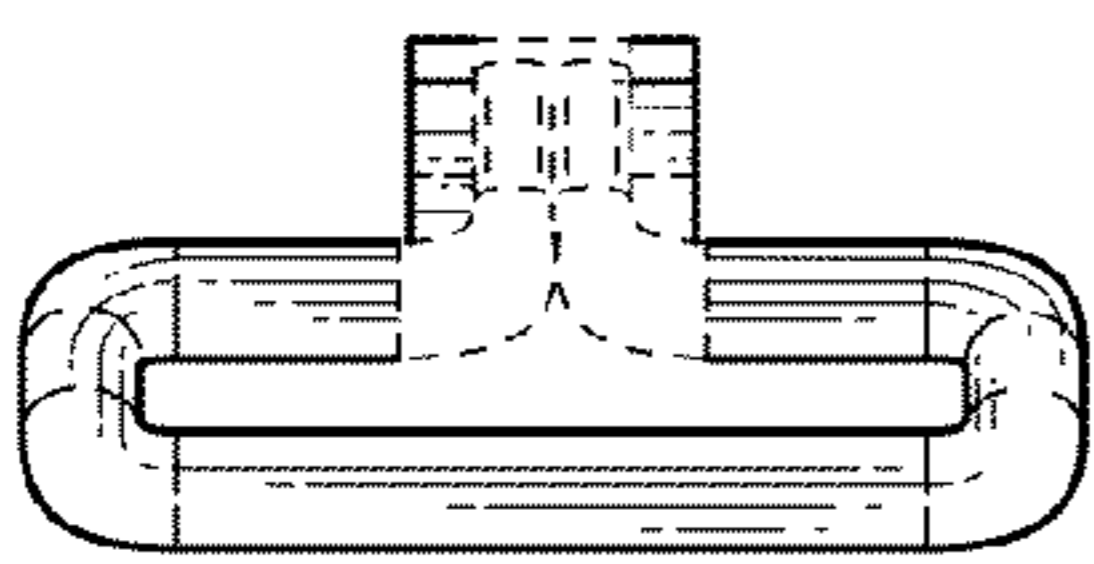


FIG. 6

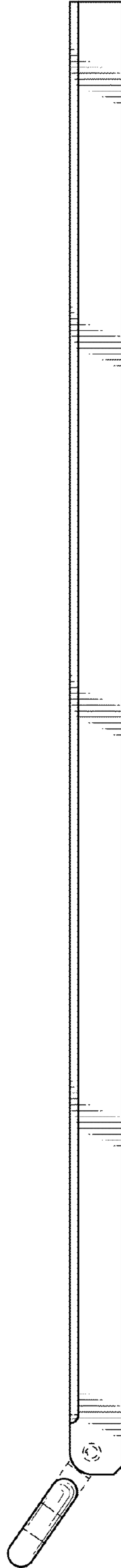


FIG. 7

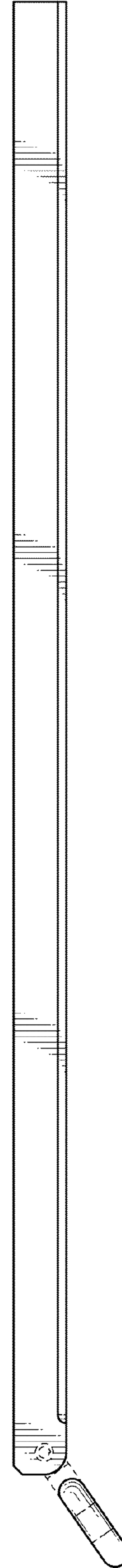


FIG. 8

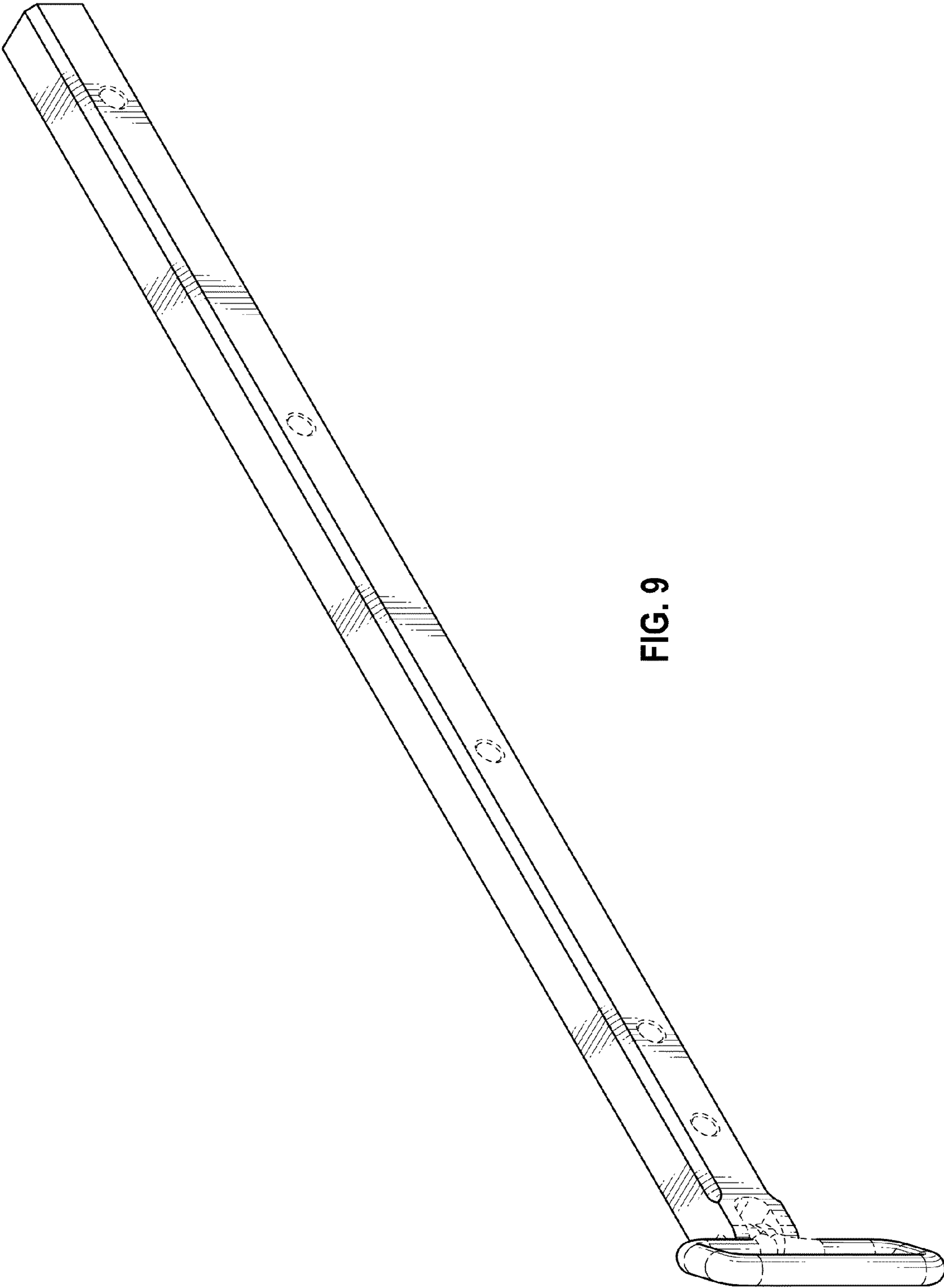


FIG. 9

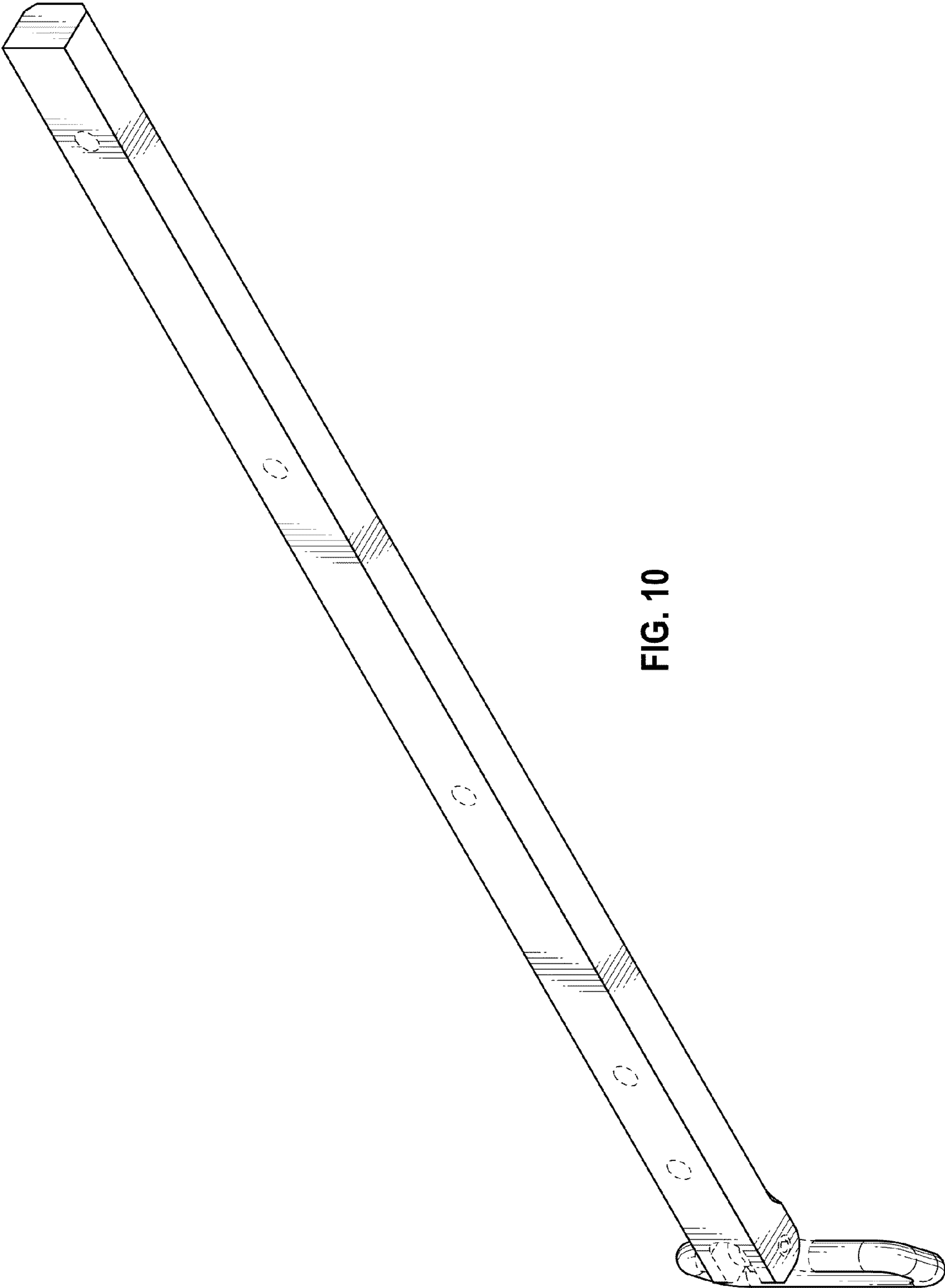


FIG. 10



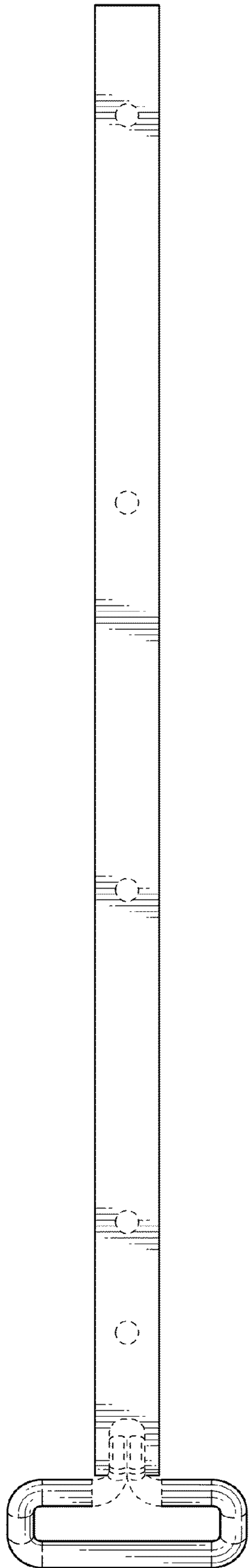


FIG. 11

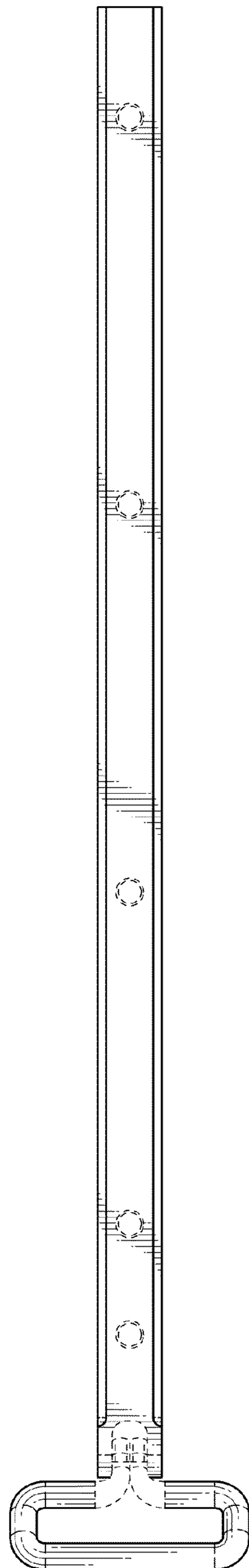


FIG. 12

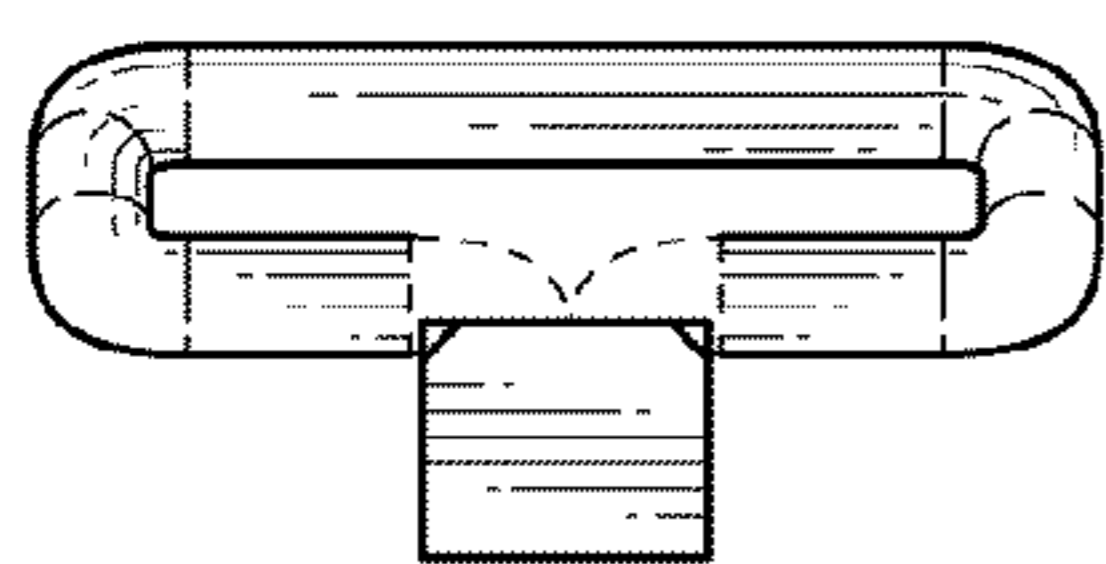


FIG. 13

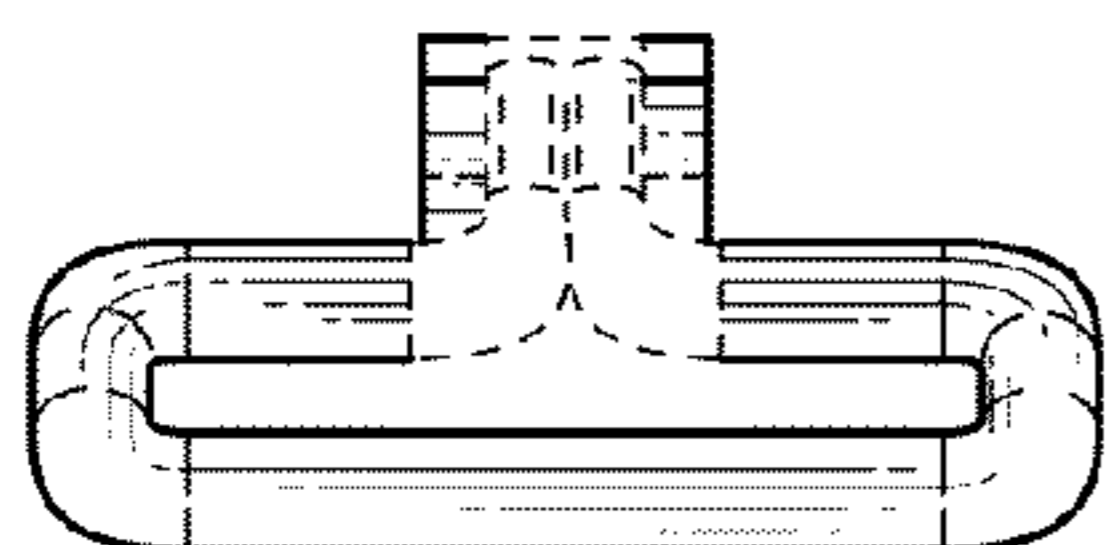


FIG. 14

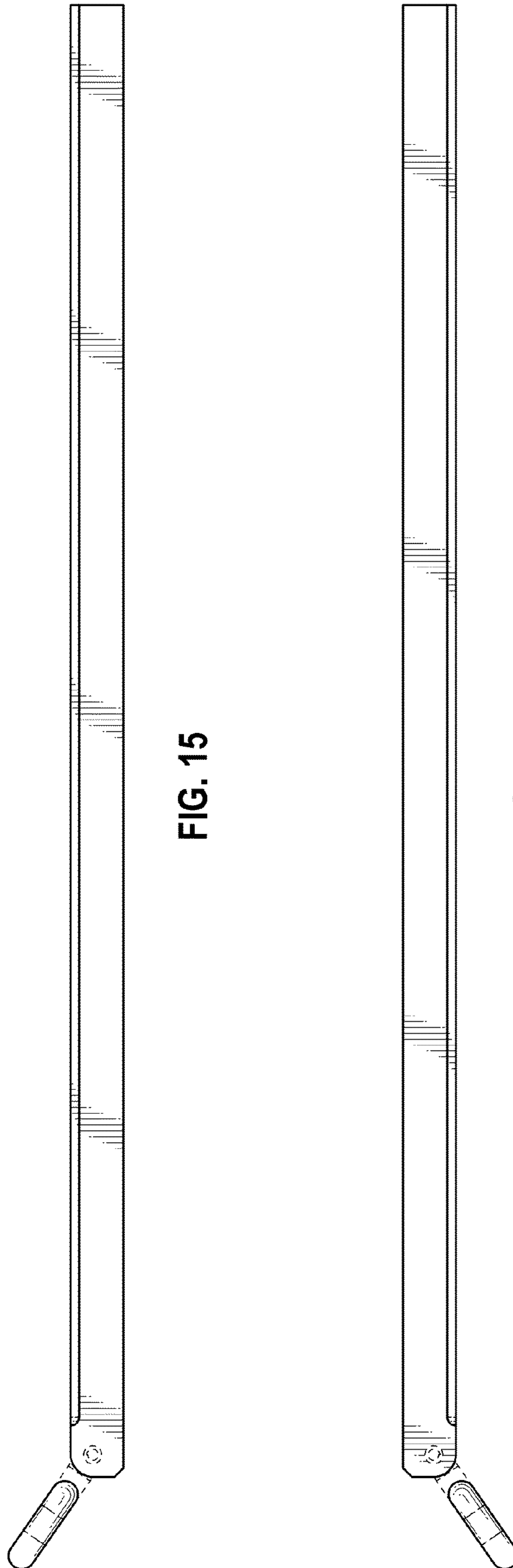


FIG. 15

FIG. 16

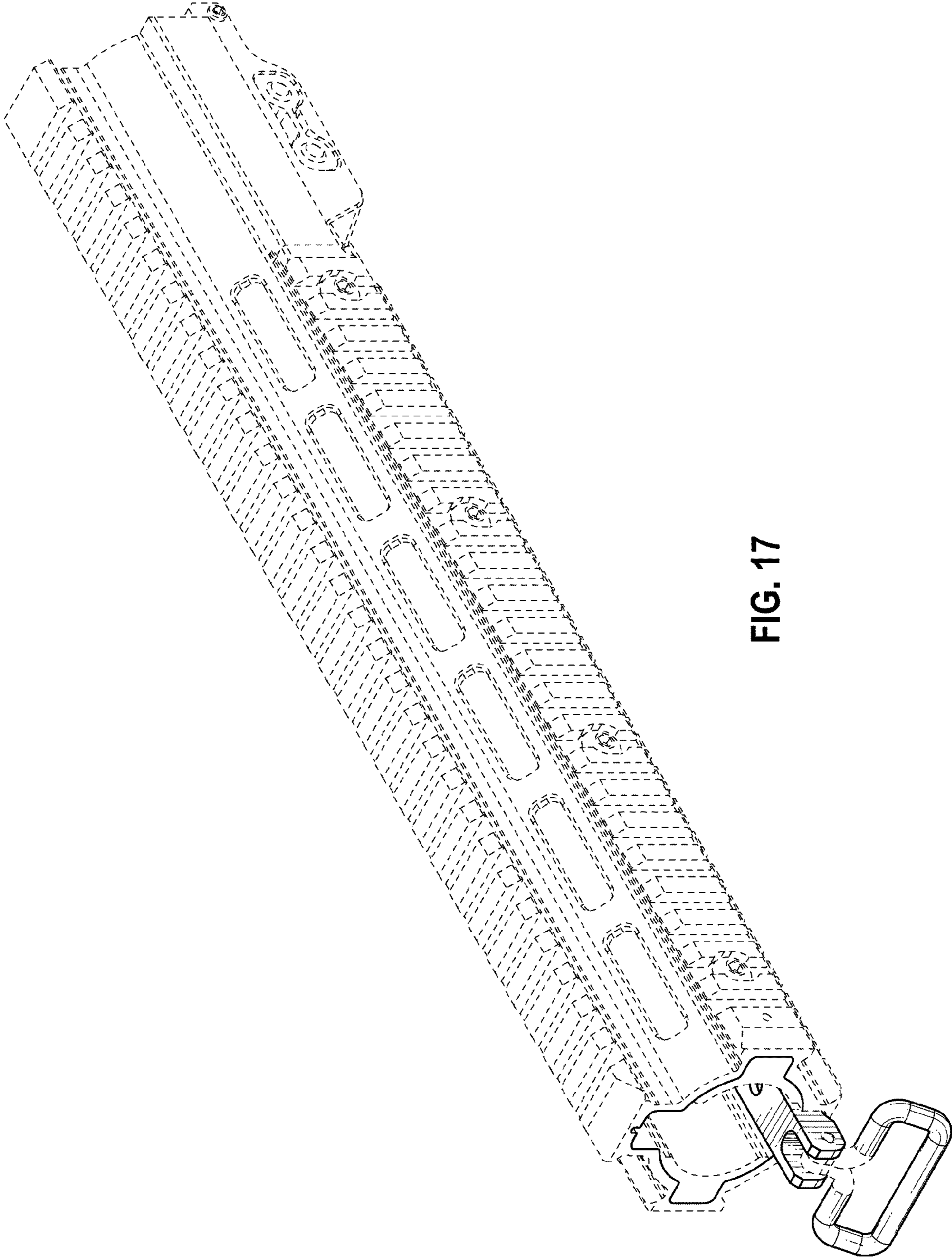


FIG. 17

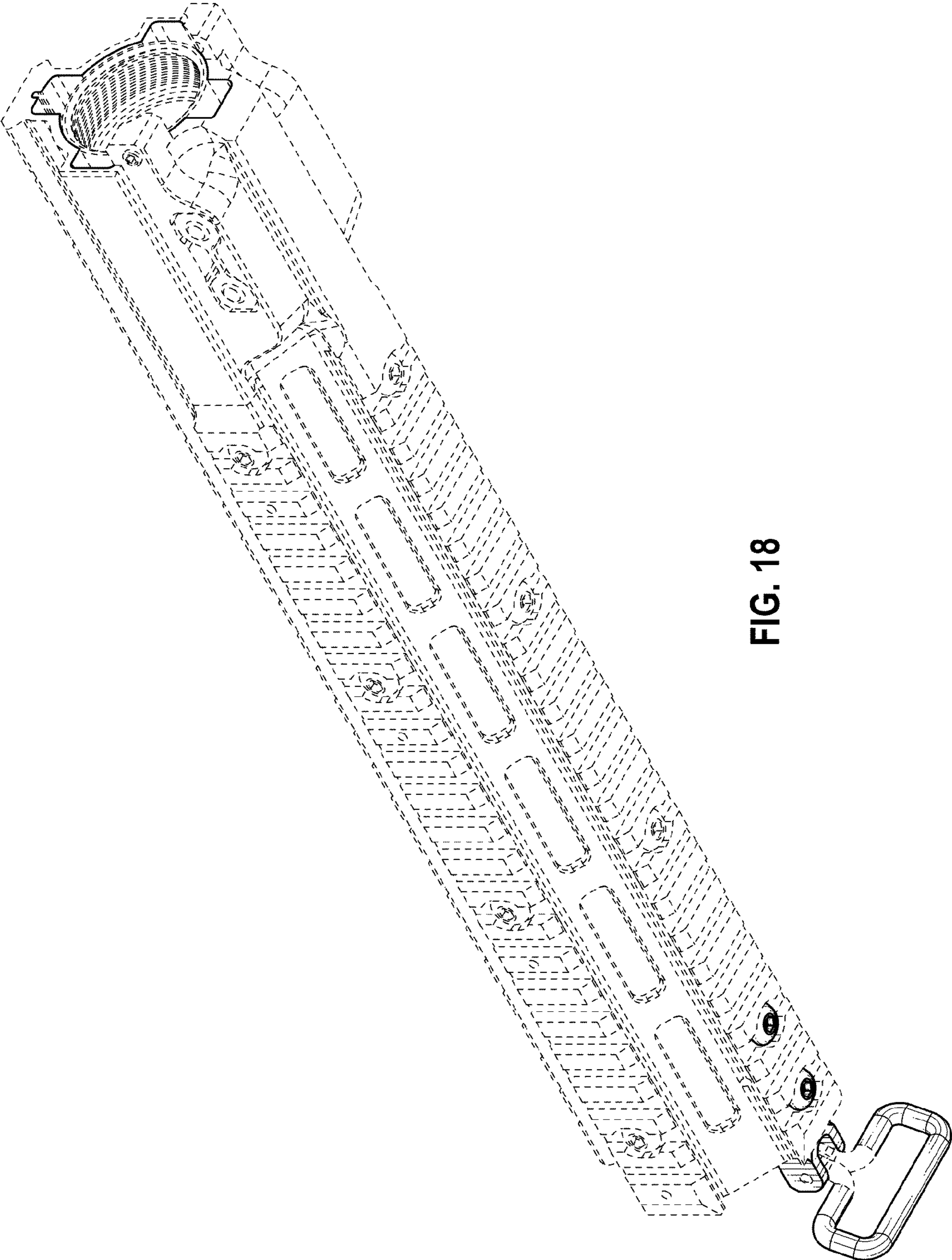


FIG. 18

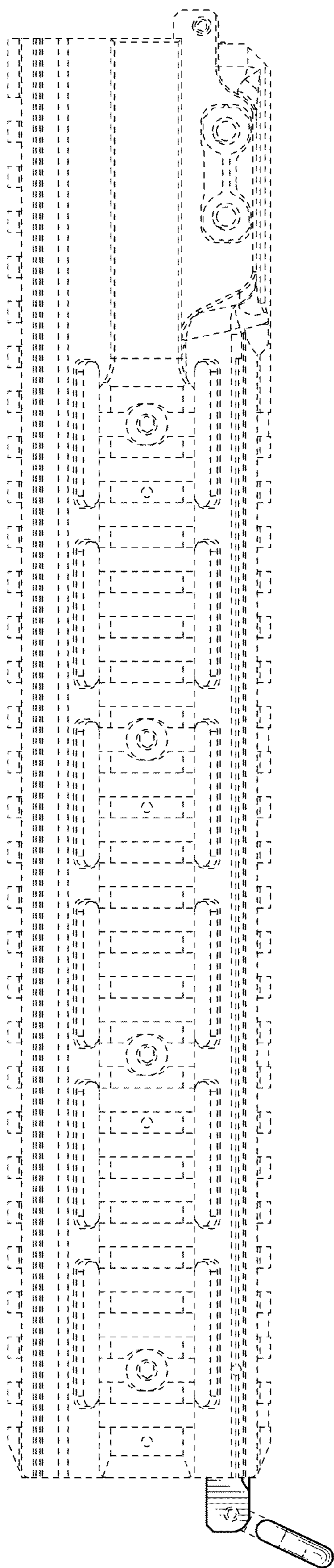


FIG. 19

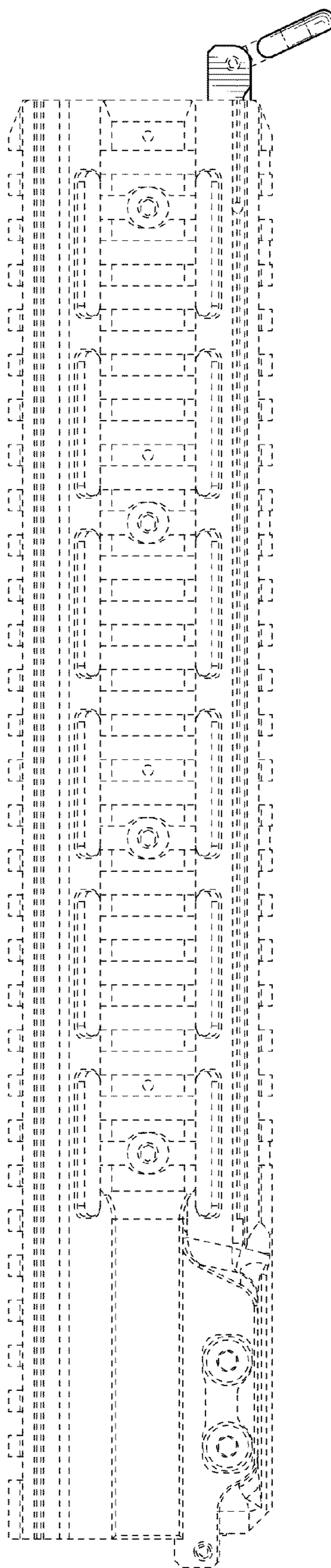


FIG. 20

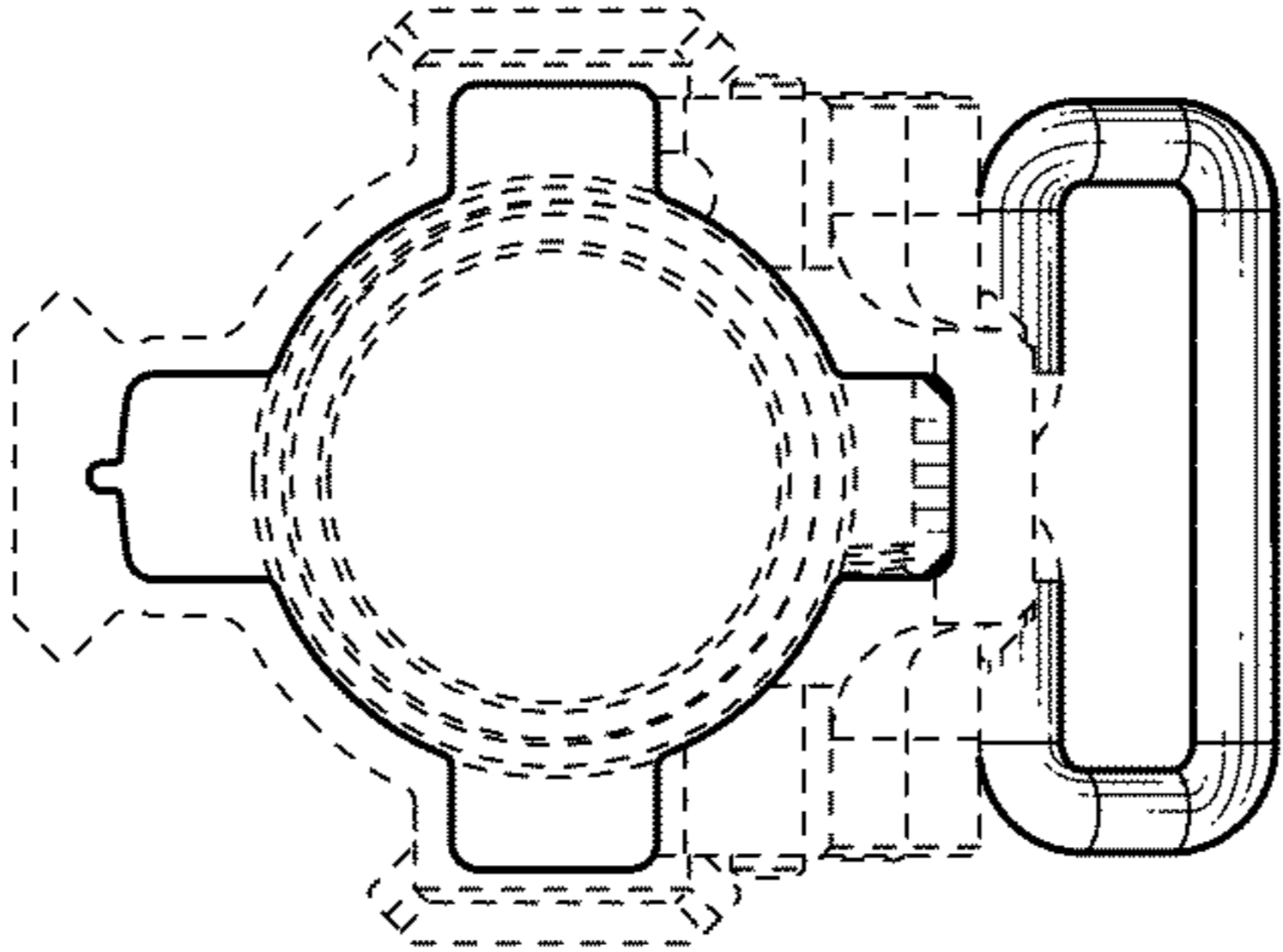


FIG. 22

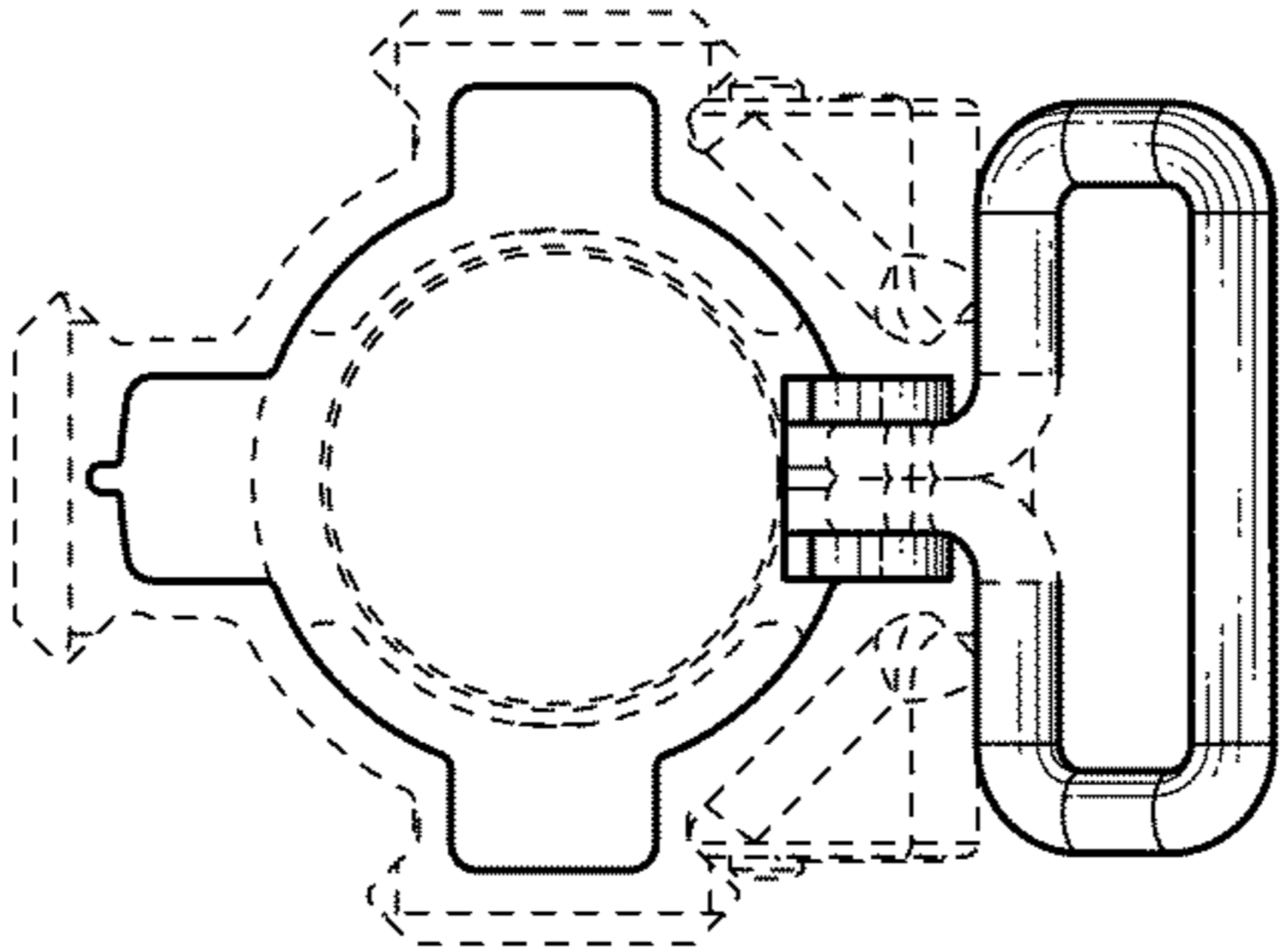


FIG. 21

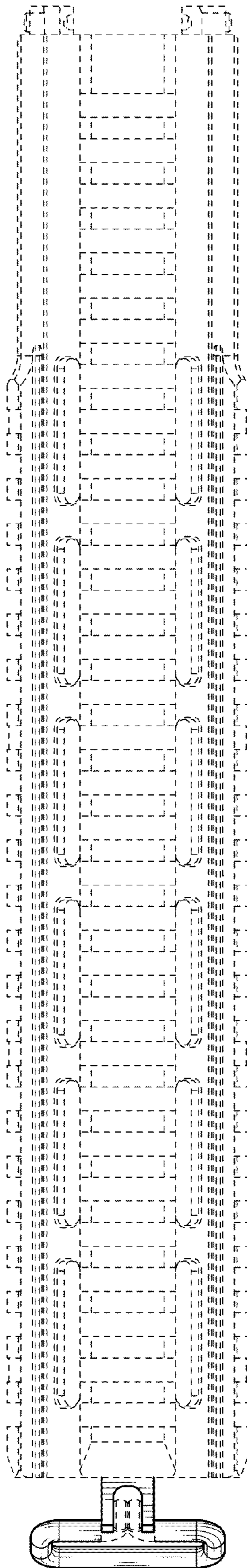


FIG. 23

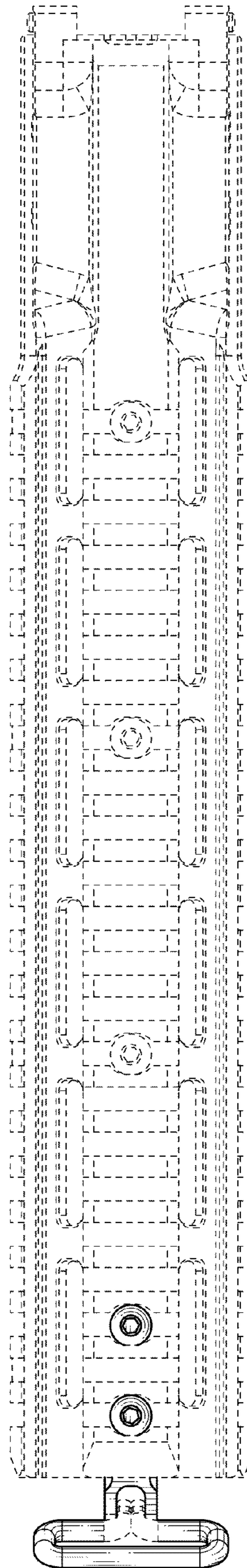


FIG. 24