



US00D759185S

(12) **United States Design Patent**
Kielsmeier et al.

(10) **Patent No.:** **US D759,185 S**
(45) **Date of Patent:** **** Jun. 14, 2016**

- (54) **SLOT COVER FOR A FIREARM**
- (71) Applicant: **Magpul Industries Corporation**,
Louisville, CO (US)
- (72) Inventors: **Nicholas Kielsmeier**, Denver, CO (US);
Michael T. Mayberry, Denver, CO (US)
- (73) Assignee: **Magpul Industries Corporation**,
Louisville, CO (US)
- (**) Term: **14 Years**
- (21) Appl. No.: **29/513,504**
- (22) Filed: **Dec. 31, 2014**
- (51) **LOC (10) Cl.** **22-01**
- (52) **U.S. Cl.**
USPC **D22/108**
- (58) **Field of Classification Search**
USPC D22/108; D24/100-101; D21/386;
D28/8.1; D11/10-11, 26-28, 40-43,
D11/75, 89-93; D1/100, 127-130, 199
CPC F41A 35/02; F41C 23/16
See application file for complete search history.

(56) **References Cited**

U.S. PATENT DOCUMENTS

D260,301 S *	8/1981	O'Connor	D28/8.1
4,934,085 A	6/1990	Lough		
5,826,363 A	10/1998	Olson		
6,421,946 B1	7/2002	LoRocco		

(Continued)

OTHER PUBLICATIONS

AR15com_2014_AR15_KeyMod_Plugs_Hand_Protectors
AR15.com (Sep. 25, 2014) KeyMod Plugs Hand Protectors; Website
[Online] Available Website: http://www.ar15.com/forums/t_3_124/657096_KeyMod_Plugs_hand_protectors_by_Veriforce_Tactical.html; Last Update: Unknown; Accessed on: Mar. 2, 2015.

(Continued)

Primary Examiner — Michael A Pratt
(74) *Attorney, Agent, or Firm* — Swanson & Bratschun,
L.L.C.

(57) **CLAIM**

The ornamental design for a slot cover for a firearm, as shown and described.

DESCRIPTION

FIG. 1 is a front, bottom, left perspective view of a firearm having various embodiments of a slot cover for a firearm attached thereto showing our new design;

FIG. 2 is a front, top, left perspective view of a first embodiment of a slot cover for a firearm having 6 panels showing our new design;

FIG. 3 is a left side elevation view of the first embodiment of a slot cover for a firearm of FIG. 2, the right side elevation view being a mirror image thereof;

FIG. 4 is a front elevation view of the first embodiment of a slot cover for a firearm of FIG. 2, the rear elevation view being a mirror image thereof;

FIG. 5 is a top plan view of the first embodiment of a slot cover for a firearm of FIG. 2;

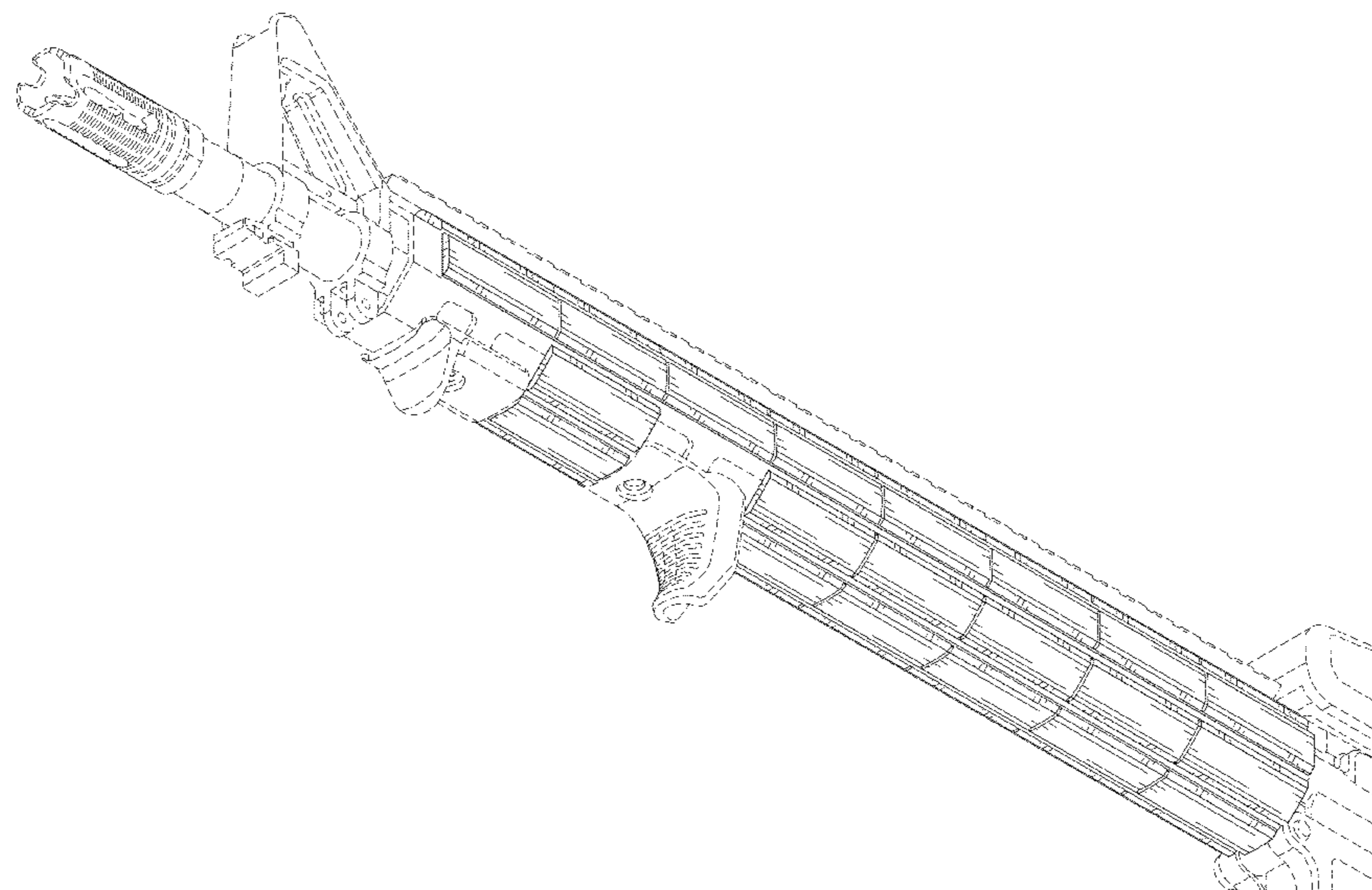
FIG. 6 is a bottom plan view of the first embodiment of a slot cover for a firearm of FIG. 2;

FIG. 7 is a front, bottom, left perspective view of the first embodiment of a slot cover for a firearm of FIG. 2; and,

FIG. 8 is a front, top, left perspective view of various embodiments of the slot cover for a firearm of FIG. 2 showing from between 1-5 panels, the various embodiments being in all other respects identical to the first embodiment illustrated in FIGS. 2-7.

The broken lines showing portions of the design in all figures are included for the purpose of illustrating environment and unclaimed features and form no part of the claimed design.

1 Claim, 5 Drawing Sheets



(56)

References Cited

U.S. PATENT DOCUMENTS

6,725,594	B2	4/2004	Hines	
6,836,990	B2	1/2005	Shiloni	
6,895,708	B2	5/2005	Kim	
7,117,625	B2	10/2006	Pikielny	
7,430,828	B2	10/2008	Munst	
7,438,430	B2	10/2008	Kim	
7,441,918	B2	10/2008	Kim	
7,562,483	B2	7/2009	Hines	
D625,378	S	10/2010	Fitzpatrick	
7,845,105	B1	12/2010	Cahill	
7,856,749	B2	12/2010	Fitzpatrick	
7,971,383	B2	7/2011	Fitzpatrick	
D667,917	S	9/2012	Fitzpatrick	
D668,731	S	10/2012	Fitzpatrick	
D676,920	S	2/2013	Fitzpatrick	
D691,235	S	10/2013	Fitzpatrick	
D704,789	S	5/2014	Fitzpatrick et al.	
D704,791	S	5/2014	Fitzpatrick et al.	
D719,632	S *	12/2014	Lau	D22/108
D729,337	S *	5/2015	Boone	D22/108
D730,474	S *	5/2015	Ding	D22/108
2002/0144482	A1 *	10/2002	Henson	E04B 1/803 52/631
2003/0074822	A1	4/2003	Faifer	
2003/0106252	A1	6/2003	Hines	
2004/0000083	A1	1/2004	Grant	
2004/0064994	A1	4/2004	Luke	
2009/0038198	A1	2/2009	Yu	
2009/0193702	A1	8/2009	Lin	
2009/0241397	A1	10/2009	Fitzpatrick	
2010/0236124	A1	9/2010	Troy	
2012/0085013	A1	4/2012	Cahill	
2015/0047246	A1 *	2/2015	Michal	F41C 23/16 42/114

OTHER PUBLICATIONS

Del_Ton_2007_TANGODOWN_BATTLE_GRIP_RAIL_COVER Del Ton Incorporated (Aug. 10, 2007) Tangodown Battle Grip Rail Cover; WebsiteName (Date) Title; Website [Online] Avail-

able Website: http://www.del-ton.com/TangoDown_Grip_Rail_Cover_p/hg1035.htm; Last Update: Jul. 21, 2014; Accessed on: Mar. 2, 2015.

LaRue Tactical 2011 Ergo Grips Textured Rail Covers LaRue Tactical (Sep. 30, 2011) Ergo Grips Textured Rail Covers; Website [Online] Available Website: <http://www.laruactical.com/ergo-grips-textured-rail-covers>; Last Update: Aug. 9, 2014; Accessed on: Mar. 2, 2015.

LaRue Tactical 2011 Index Clips 72 Piece Set LaRue Tactical (Sep. 30, 2011) IndexClips, 72 Piece Set; Website [Online] Available Website: <http://www.laruactical.com/indexclips-72-piece-set>; Last Update: Aug. 9, 2014; Accessed on: Mar. 2, 2015.

Magpul Search Results Light-Mount Panels Hand Stop Kit Magpul Search Results: Rail Light Mount; XTM® Enhanced Rail Panels; XTM® Hand Stop Kit; Website [Online] Available Website: ; Last Update: Unknown; Accessed on: Mar. 2, 2015.

Magpul Ladder Rail Panel Magpul Ladder Rail Panel; Website [Online] Available Website: <https://www.magpul.com/search-results?PID=88&ProductNumber=MAG013>; Last Update: Unknown; Accessed on: Mar. 2, 2015.

Magpul XT Rail Panel Magpul XT™ Rail Panel; Website [Online] Available Website: <https://www.magpul.com/search-results?PID=88&ProductNumber=XT+rail+panel>; Last Update: Unknown; Accessed on: Mar. 2, 2014.

Noveske 2014 POLYMER ACCESSORY PACK Noveske (Feb. 10, 2014) Polymer Accessory Pack; Website [Online] Available Website: <http://www.shopnoveske.com/products/polymer-accessory-pack>; Last Update: Jul. 3, 2014; Accessed on: Feb. 10, 2015.

Troy 2014 Rail Cover Kit 12 Piece Troy Industries (Apr. 22, 2014) Rail Cover Kit, 12 Piece-BLK; Website [Online] Available Website: <https://troyind.com/products/rail-cover-kit-12-piece-blk>; Last Update: Unknown; Accessed on: Mar. 2, 2015.

Troy Squid Grip 7 Pack Troy Industries Squid Grip 7-Pack—Tan; Website [Online] Available Website: <https://troyind.com/products/squid-grip-7-pack-tan>; Last Update: Unknown; Accessed on: Mar. 3, 2015.

Design U.S. Appl. No. 29/509,804, “Slot Cover Set for a Firearm” filed Nov. 21, 2014.

* cited by examiner

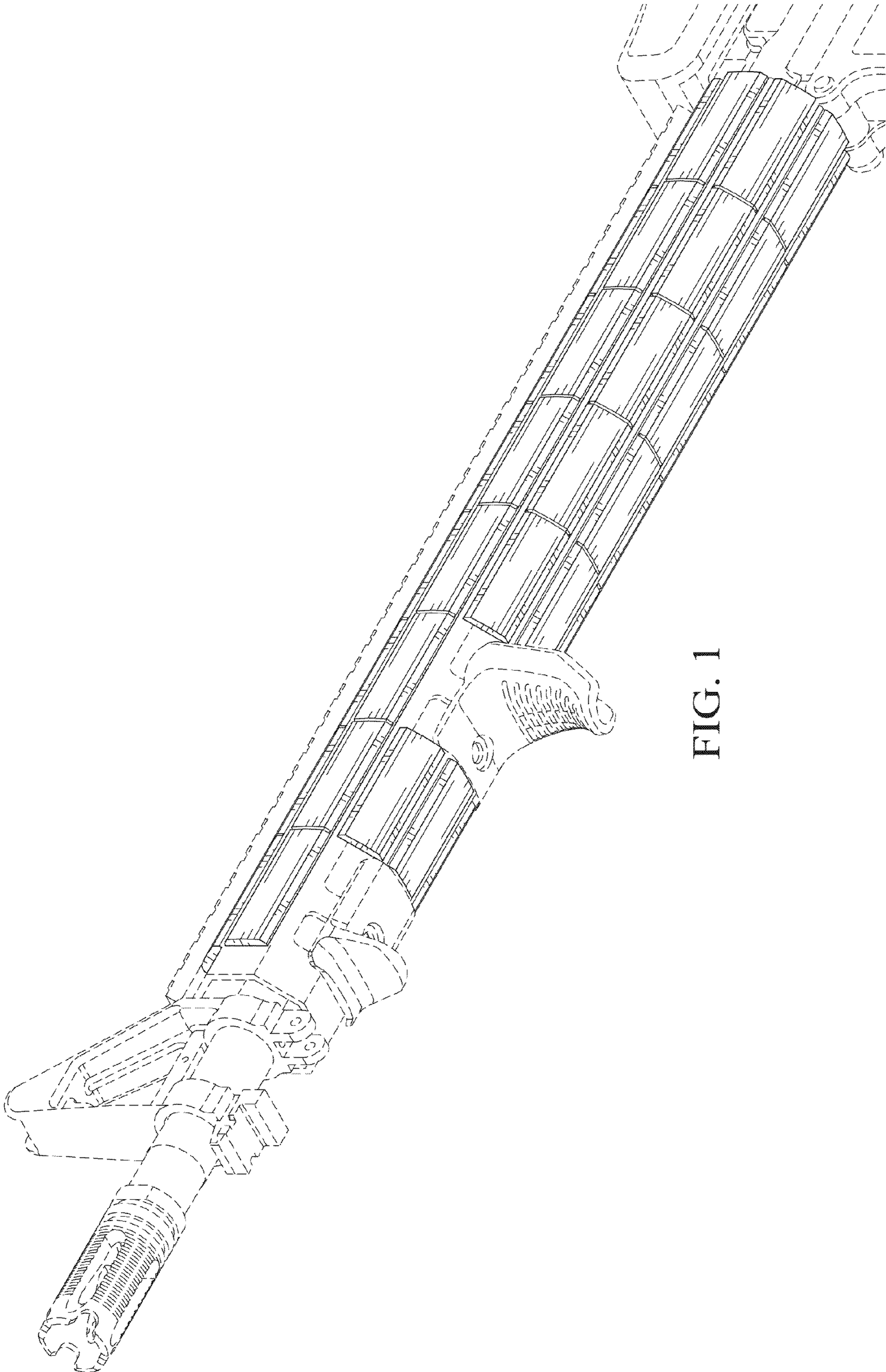


FIG. 1

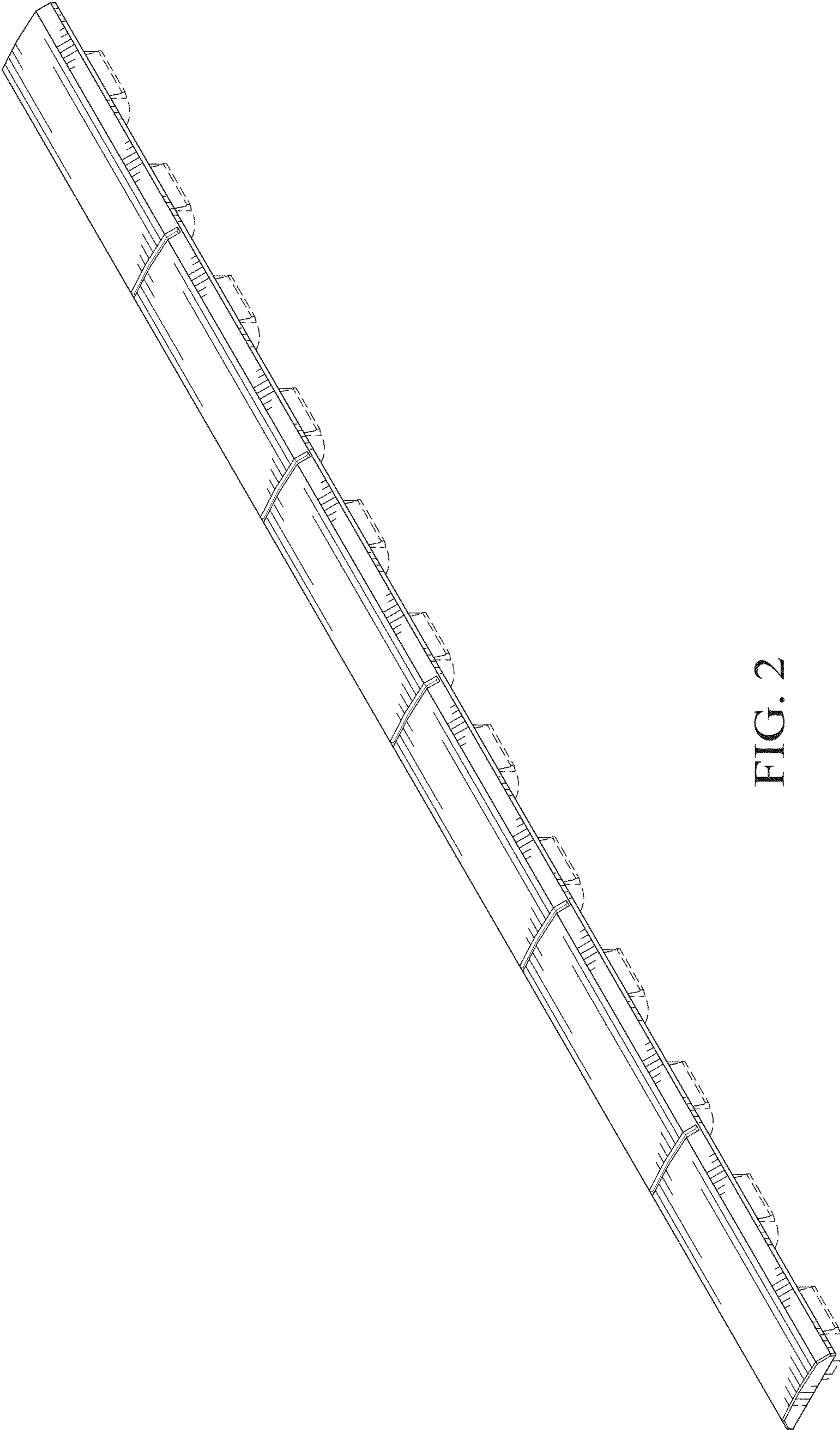


FIG. 2

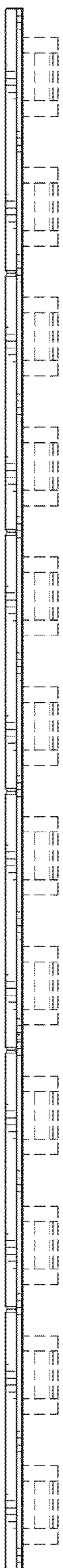


FIG. 3

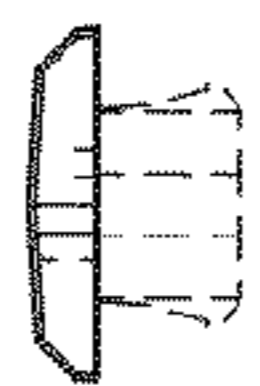


FIG. 4

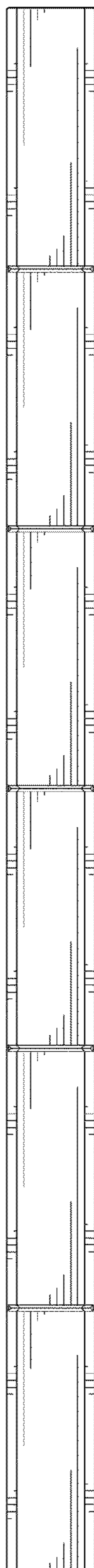


FIG. 5



FIG. 6

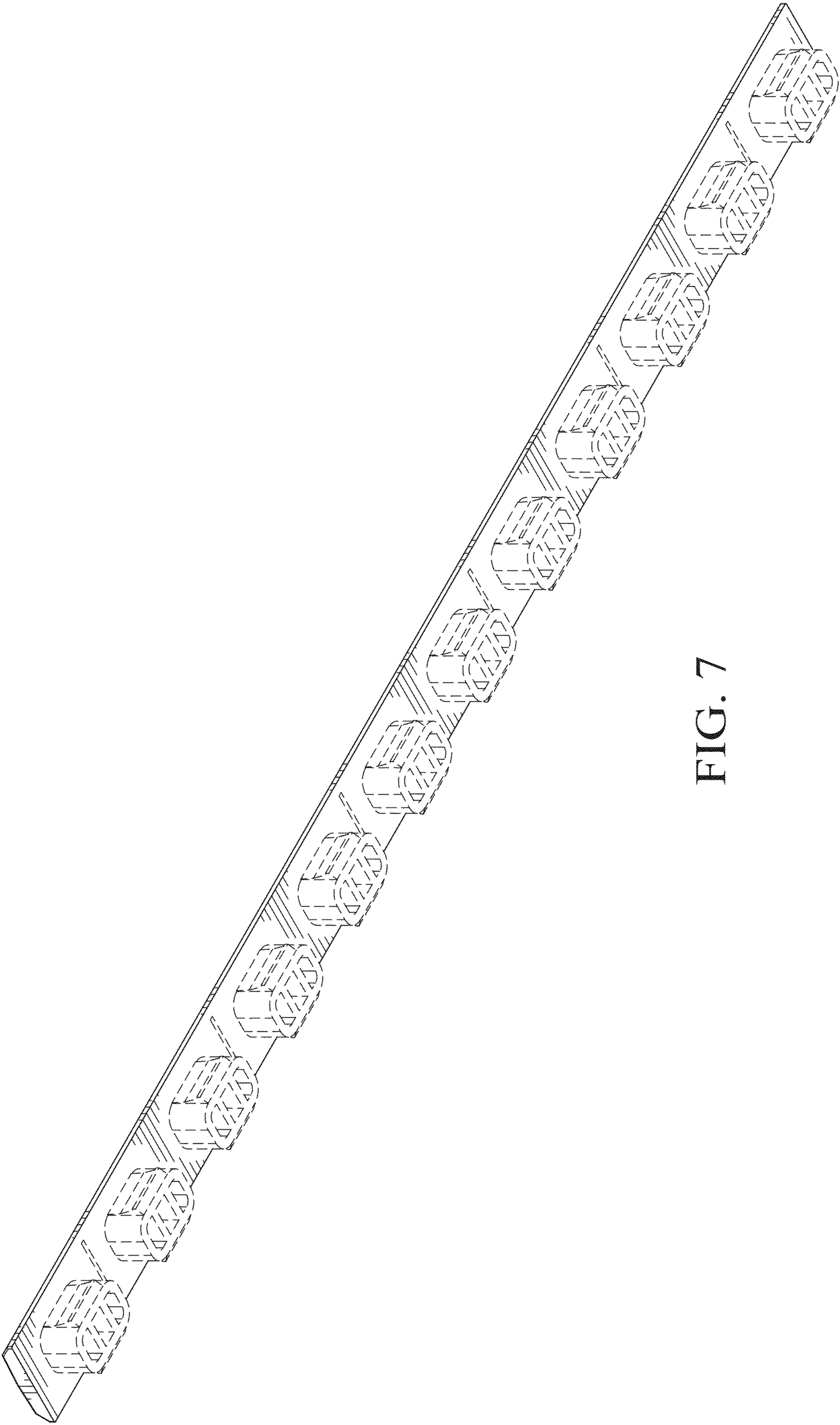


FIG. 7

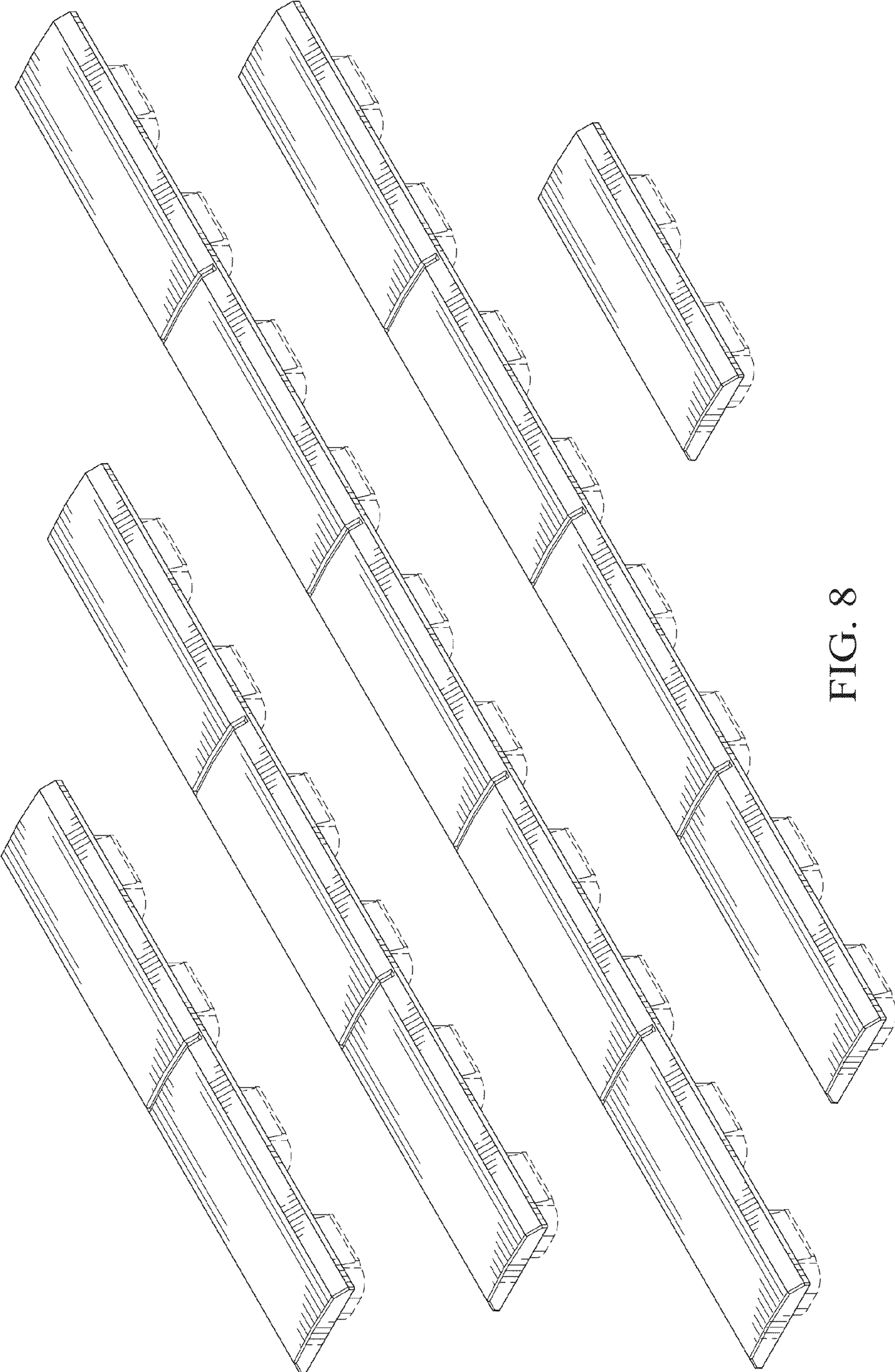


FIG. 8