



US00D759180S

(12) **United States Design Patent**  
**Hsu et al.**

(10) **Patent No.:** **US D759,180 S**  
(45) **Date of Patent:** **\*\* Jun. 14, 2016**

(54) **CONNECTOR FOR A FLOTATION DEVICE**

(56) **References Cited**

(71) Applicant: **Intex Recreation Corp.**, Long Beach, CA (US)

U.S. PATENT DOCUMENTS

(72) Inventors: **Yaw Yuan Hsu**, Fujian (CN); **Kun Chao Hsu**, Fujian (CN); **Jinqie You**, Fujian (CN)

67,039 A	7/1867	Golding	
4,202,134 A	5/1980	Morrison	
4,894,033 A	1/1990	Chang	
5,020,465 A	6/1991	Langford	
5,299,964 A *	4/1994	Hopkins	..... B63B 35/78 114/249

(73) Assignee: **INTEX MARKETING LTD.**, Tortola (VG)

5,507,674 A	4/1996	Yeung	
5,536,009 A	7/1996	Edwards	
6,053,790 A	4/2000	Langford	
D492,929 S *	7/2004	Fong	..... D12/107

(\*\*) Term: **15 Years**

(Continued)

(21) Appl. No.: **29/533,582**

OTHER PUBLICATIONS

(22) Filed: **Jul. 20, 2015**

Tube Pro Inc., "Tube-to-Tube Connectors," available online at [http://www.tubeproinc.com/m/content/article.php?content\\_id=7](http://www.tubeproinc.com/m/content/article.php?content_id=7) at least as early as Oct. 25, 2013, 1 page.

**Related U.S. Application Data**

*Primary Examiner* — Zenia Bennett

(63) Continuation of application No. 14/523,861, filed on Oct. 25, 2014.

(74) *Attorney, Agent, or Firm* — Faegre Baker Daniels LLP

(30) **Foreign Application Priority Data**

(57) **CLAIM**

Oct. 25, 2013 (CN) ..... 2013 2 0662215 U

We claim the ornamental design for the connector for a flotation device, as shown and described.

(51) **LOC (10) Cl.** ..... **21-03**

**DESCRIPTION**

(52) **U.S. Cl.**  
USPC ..... **D21/803**

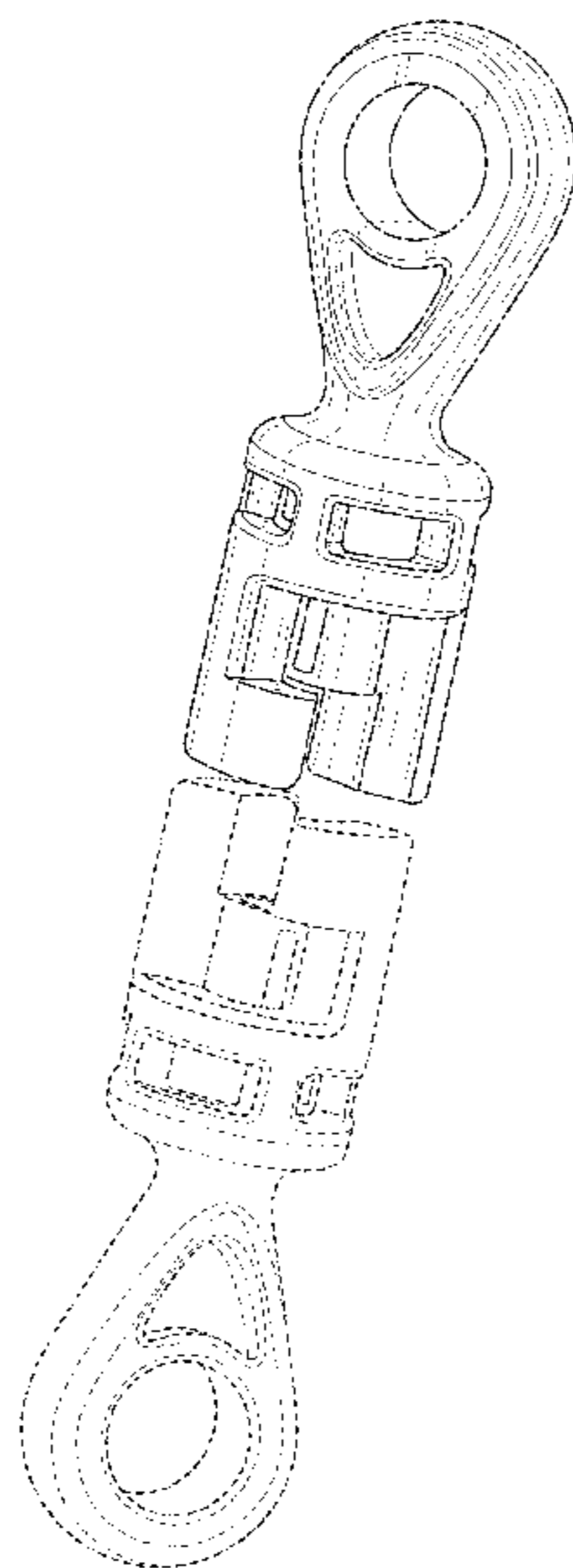
FIG. 1 is a perspective view of a connector for a flotation device of the present application configured to couple with a second connector of another flotation device; FIG. 2 is a side view of the connector of FIG. 1; FIG. 3 is another side view of the connector of FIG. 1; and FIG. 4 is a front view of the connector of FIG. 1; FIG. 5 is a rear view of the connector of FIG. 1; FIG. 6 is a top view of the connector of FIG. 1; and, FIG. 7 is a bottom view of the connector of FIG. 1.

(58) **Field of Classification Search**  
USPC ..... D21/769-770, 801, 803, 809; 114/253, 114/345-346; 441/35, 66, 74, 40-42, 441/129-132; D11/1-25, 32, 93, 94; 59/78, 59/79.2; 63/1.11, 3, 3.1, 3.2, 5.1, 5.2, 63/7-11

The broken lines of FIG. 1 show the second connector which forms no part of the claimed design.

CPC ..... B63B 35/76; B63B 35/74; A61H 37/005  
See application file for complete search history.

**1 Claim, 6 Drawing Sheets**



(56)

**References Cited**

U.S. PATENT DOCUMENTS

6,905,279 B2 6/2005 Metzger  
D573,915 S \* 7/2008 Moss ..... D11/213  
D581,827 S \* 12/2008 Moss ..... D11/213  
D601,915 S \* 10/2009 Heroux ..... D11/87  
D601,916 S \* 10/2009 Moss ..... D11/87  
D603,926 S 11/2009 Merker et al.

8,066,540 B2 11/2011 Le Gette et al.  
D658,257 S 4/2012 Whitehead  
D737,170 S \* 8/2015 Lafond ..... D11/87  
2004/0038603 A1 2/2004 Gaspar  
2006/0116039 A1 6/2006 Pole et al.  
2006/0280553 A1 12/2006 Anthony  
2010/0229960 A1 9/2010 Merker et al.  
2013/0225018 A1 8/2013 Peterson

\* cited by examiner

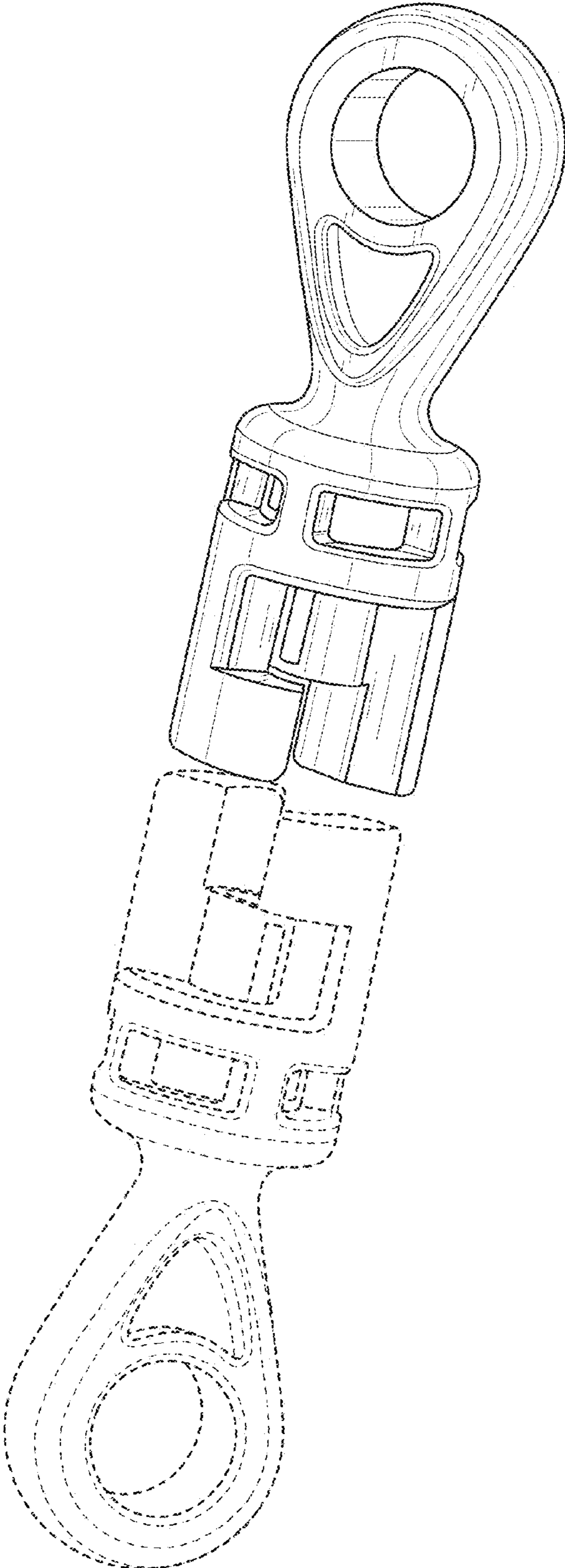


FIG. 1

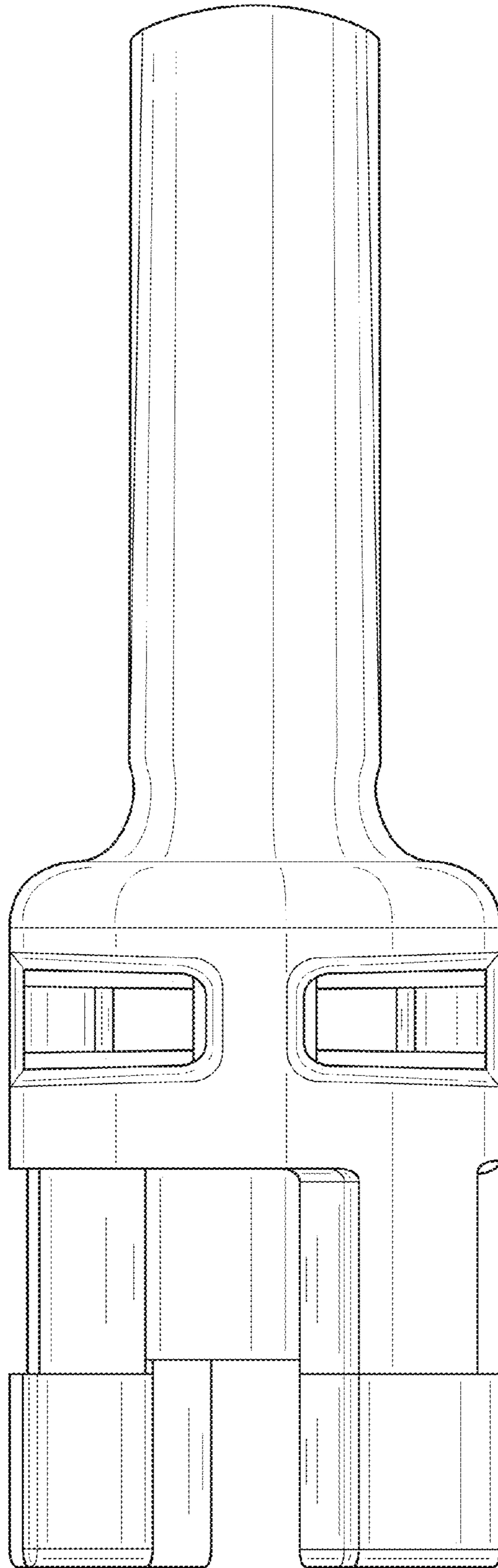


FIG. 2

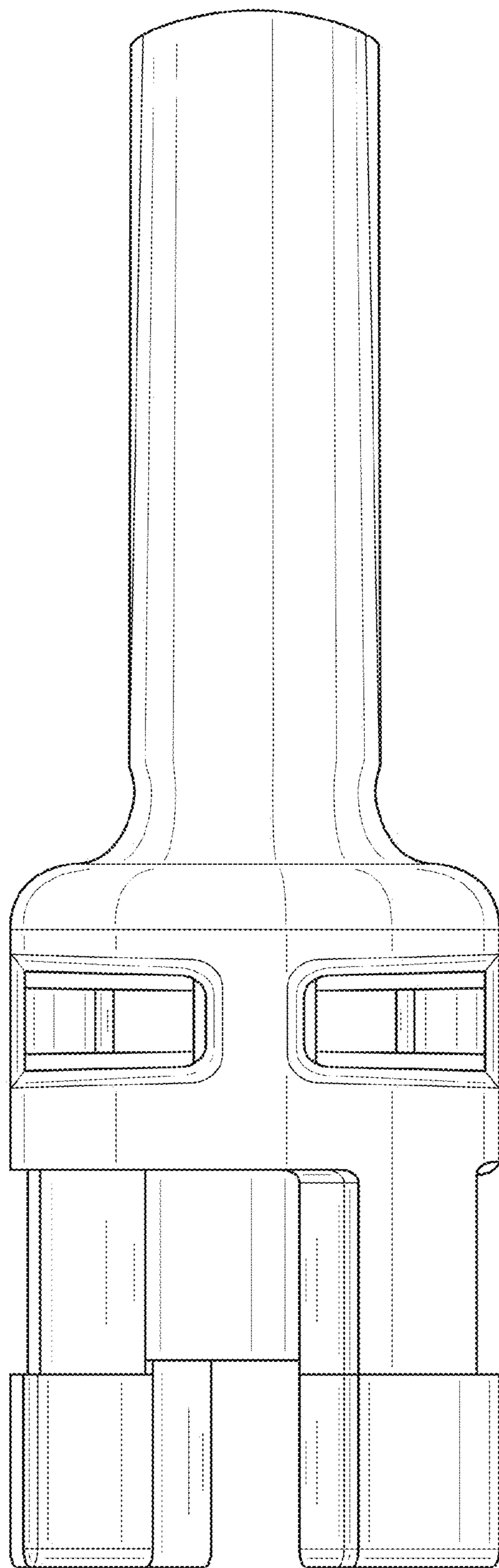


FIG. 3

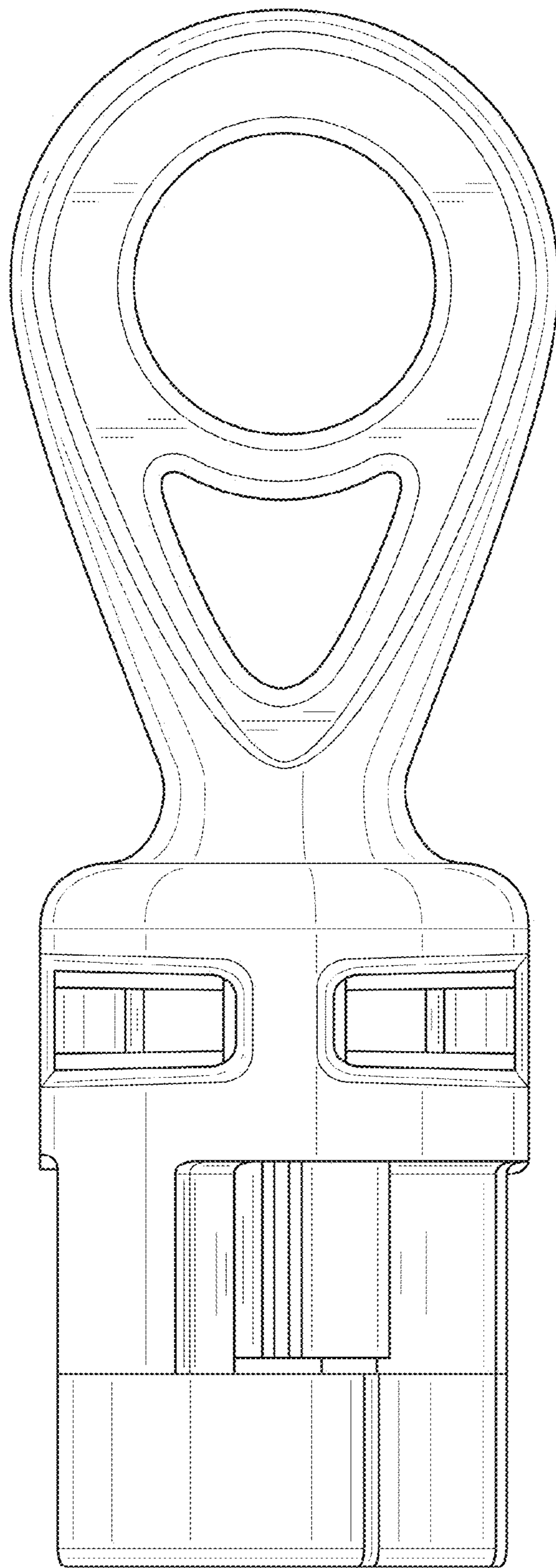


FIG. 4

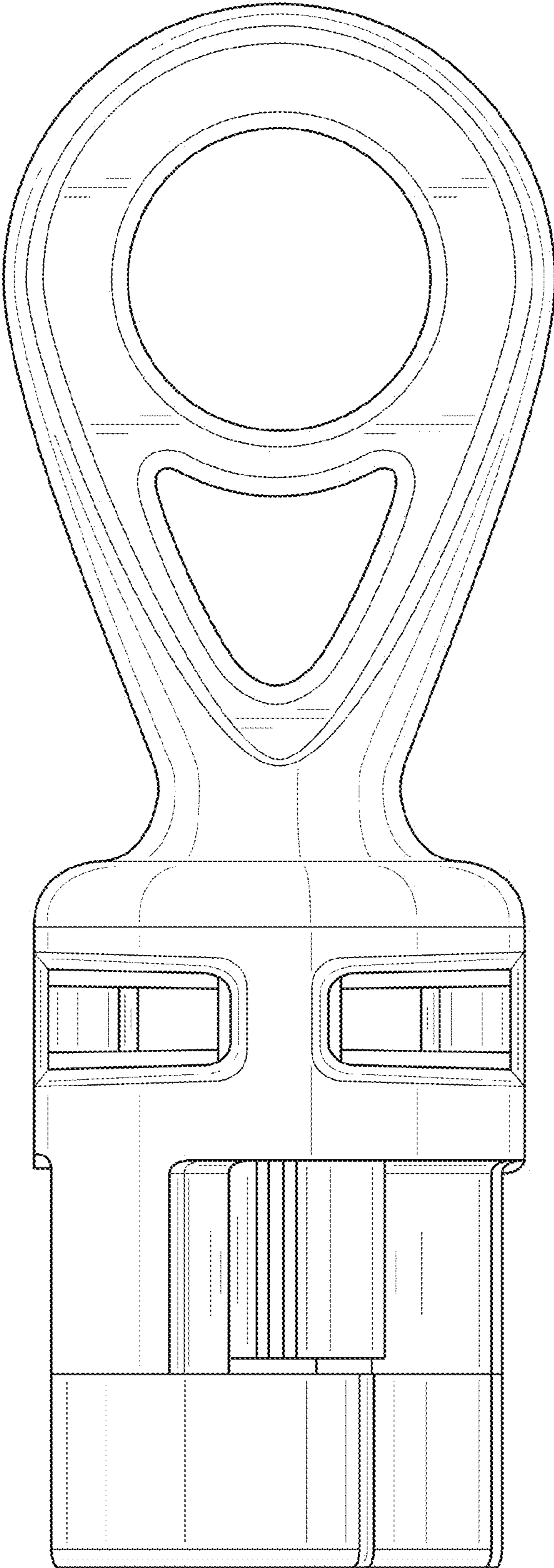


FIG. 5

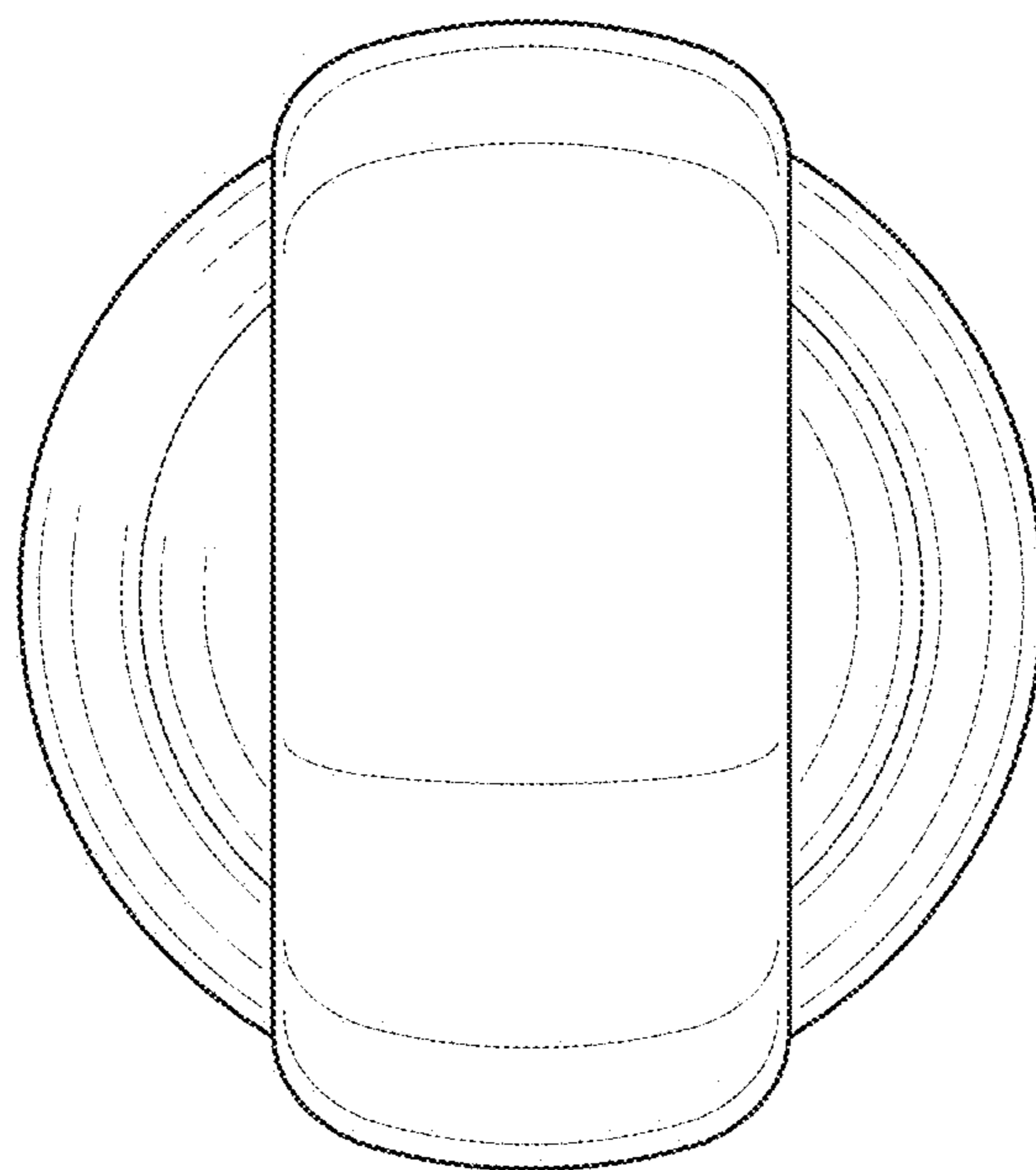


FIG. 6

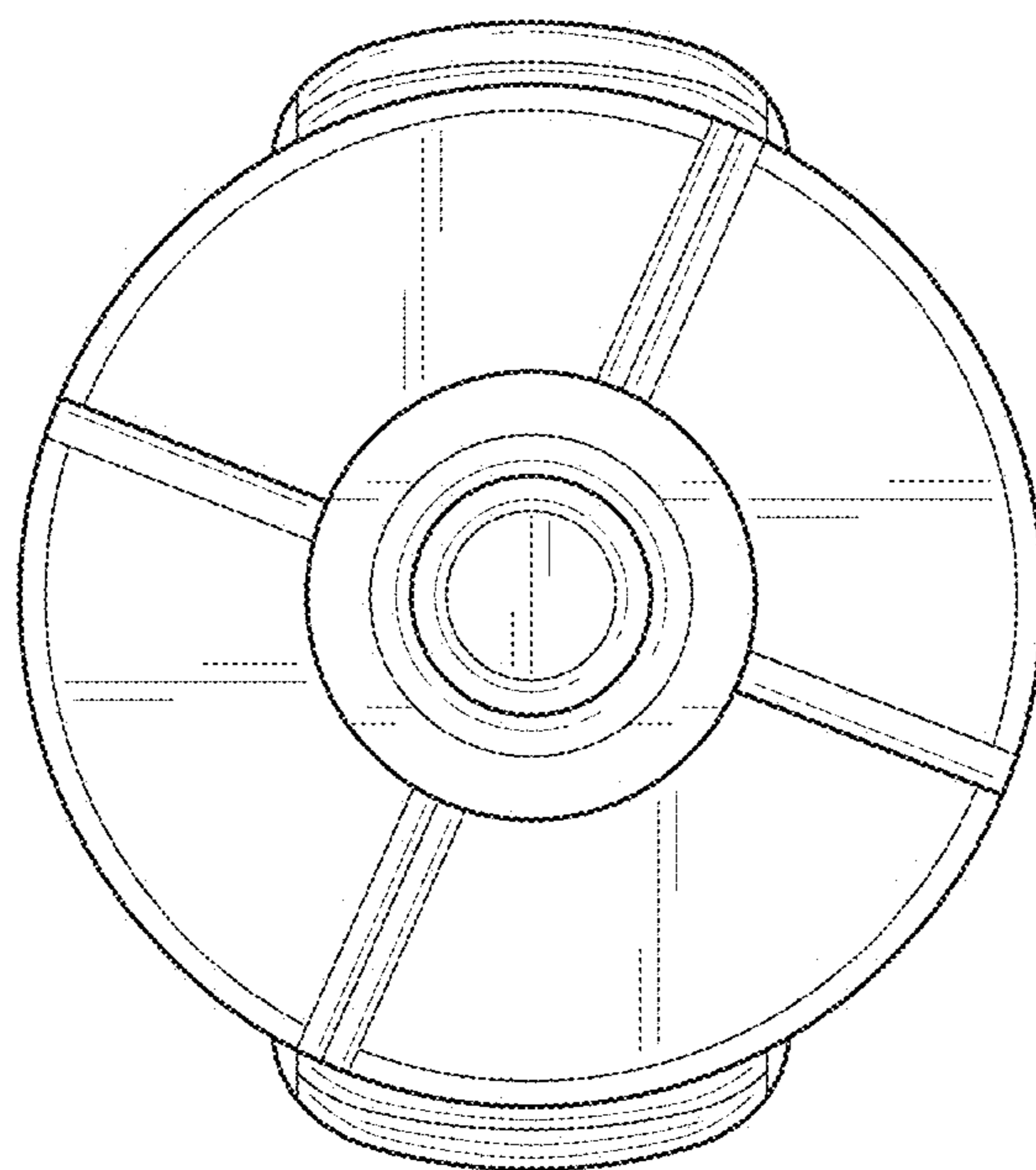


FIG. 7