



US00D759179S

(12) **United States Design Patent**
Meyers

(10) **Patent No.:** **US D759,179 S**

(45) **Date of Patent:** **** Jun. 14, 2016**

(54) **CONVERTIBLE POOL TABLE**

(71) Applicant: **James Maurice Meyers**, Carlsbad, CA
(US)

(72) Inventor: **James Maurice Meyers**, Carlsbad, CA
(US)

(**) Term: **15 Years**

(21) Appl. No.: **29/531,061**

(22) Filed: **Jun. 23, 2015**

(51) **LOC (10) Cl.** **21-01**

(52) **U.S. Cl.**
USPC **D21/783**

(58) **Field of Classification Search**
USPC D21/312, 313, 321, 782, 784, 338, 316;
273/317, 317.4, 317.1, 108.1, 108,
273/118 R, 121 R, 236, 241, 259, 287;
473/4, 10, 14, 29, 475, 496; 108/25;
D6/396
CPC A63D 3/00; A63D 15/00; A63D 15/04;
A63F 9/04
See application file for complete search history.

(56) **References Cited**

U.S. PATENT DOCUMENTS

D39,173 S * 3/1908 Pearson 473/18
D193,571 S * 9/1962 Robison D7/686
3,366,079 A * 1/1968 Koransky A47B 3/12
108/118
D217,370 S * 4/1970 Kockar 473/18
3,522,778 A * 8/1970 Porath A47B 3/00
108/153.1
3,610,618 A * 10/1971 Wiggins A63D 15/00
108/11
3,658,328 A * 4/1972 Kooker A63D 15/00
473/18
D239,843 S * 5/1976 Freeman D21/397

D265,847 S * 8/1982 Nielsen D21/783
D279,400 S * 6/1985 Dunn, Sr. D21/783
4,610,450 A * 9/1986 Howell A63D 15/00
473/18
D383,515 S * 9/1997 Wiebe D21/783

* cited by examiner

Primary Examiner — Prabhakar Deshmukh

(74) *Attorney, Agent, or Firm* — Ahmadshahi & Associates

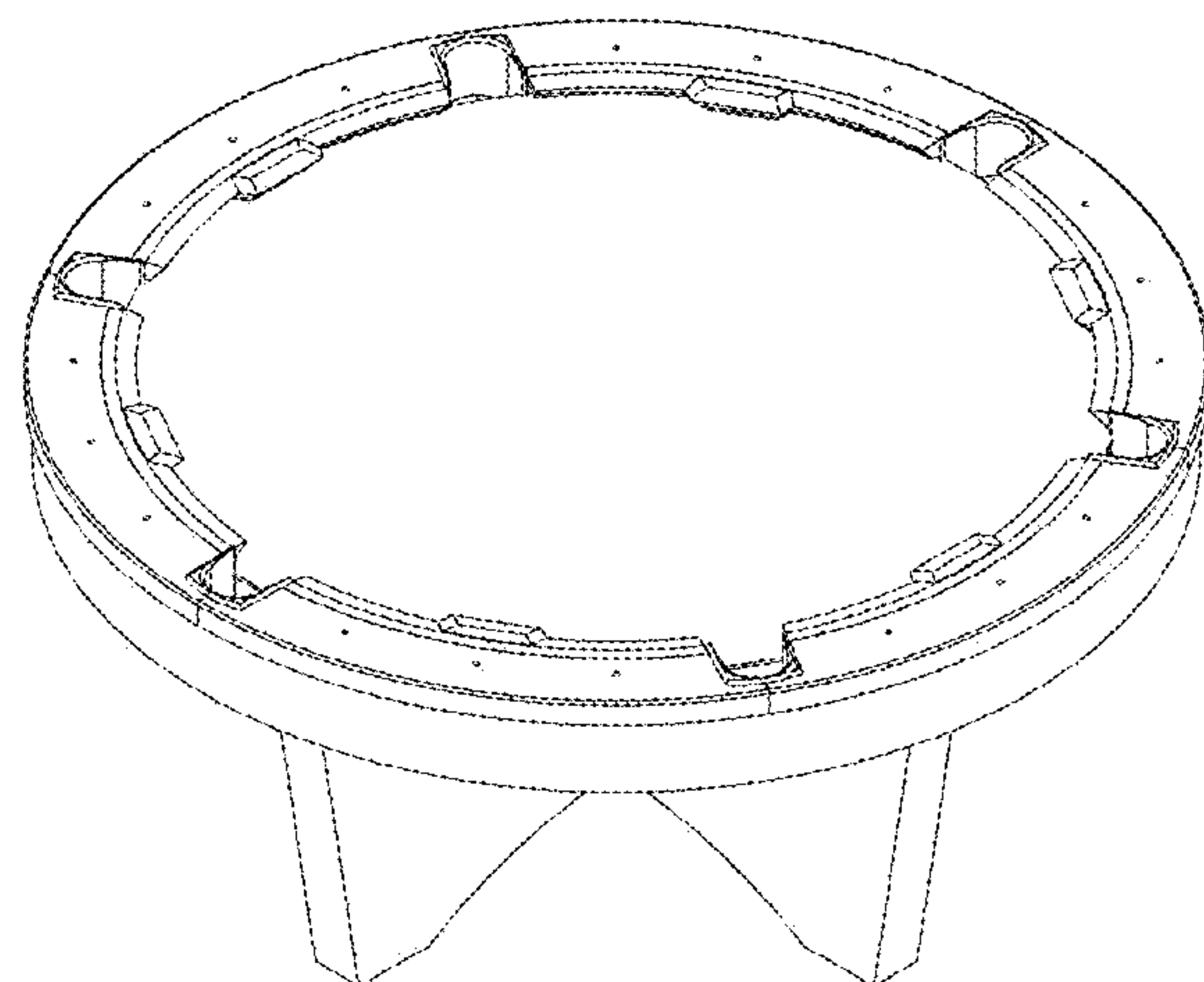
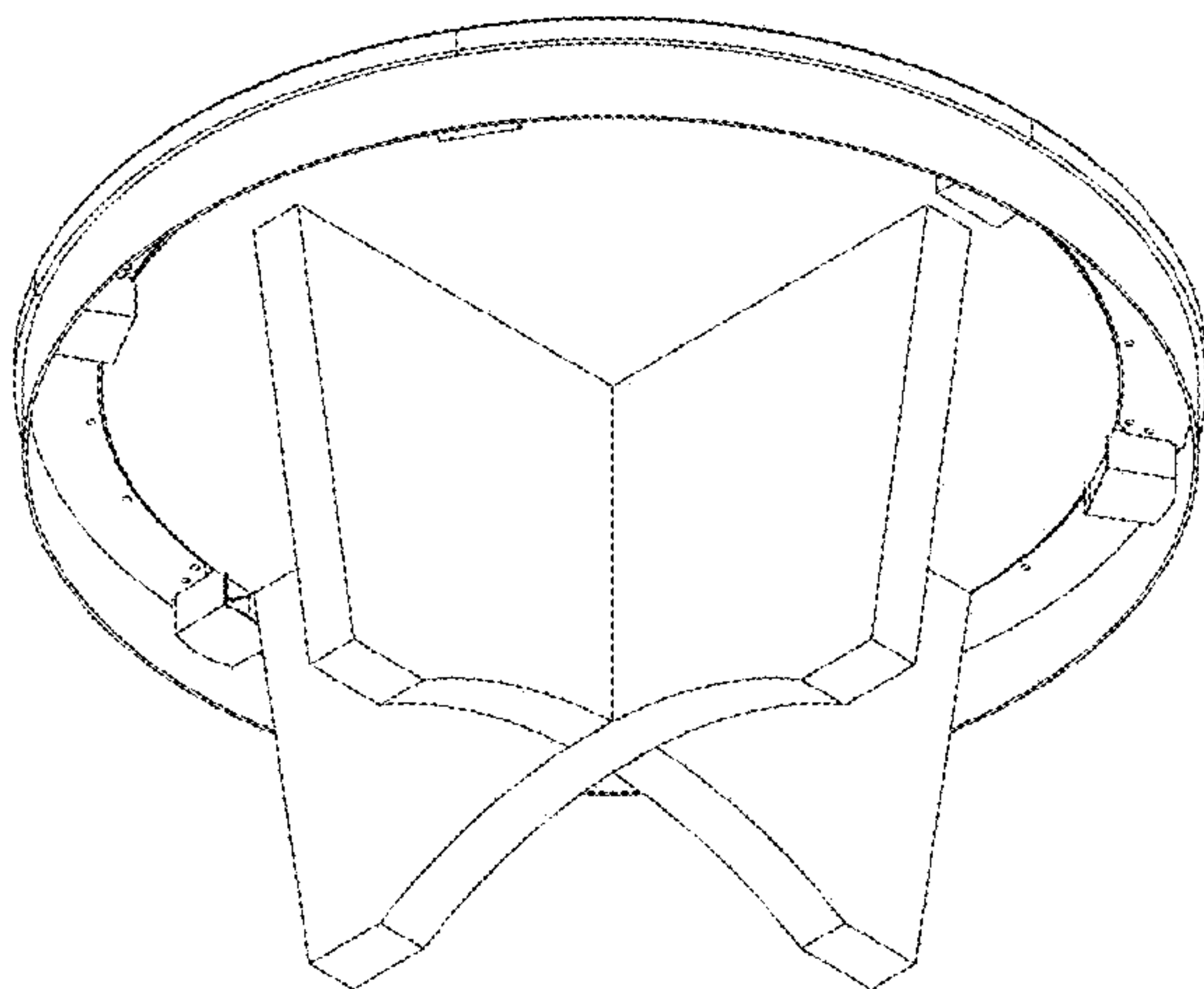
(57) **CLAIM**

The ornamental design for a convertible pool table, as shown and described.

DESCRIPTION

FIG. 1 is a front elevational view of a convertible pool table showing my new design;
FIG. 2 is a rear elevational view thereof;
FIG. 3 is a left side elevational view thereof;
FIG. 4 is a right side elevational view thereof;
FIG. 5 is a top plan view thereof;
FIG. 6 is a bottom plan view thereof;
FIG. 7 is a bottom perspective view thereof;
FIG. 8 is a top perspective view thereof;
FIG. 9 is a sectional view thereof, taken along line 9-9 of FIG. 5;
FIG. 10 is a sectional view thereof, taken along line 10-10 of FIG. 5;
FIG. 11 is a front elevational view of a convertible pool table, shown without the cover;
FIG. 12 is a rear elevational view of FIG. 11;
FIG. 13 is a left side elevational view of FIG. 11;
FIG. 14 is a right side elevational view of FIG. 11;
FIG. 15 is a top plan view of FIG. 11;
FIG. 16 is a bottom plan view of FIG. 11;
FIG. 17 is a bottom perspective view of FIG. 11; and,
FIG. 18 is a top perspective view of FIG. 11.

1 Claim, 18 Drawing Sheets



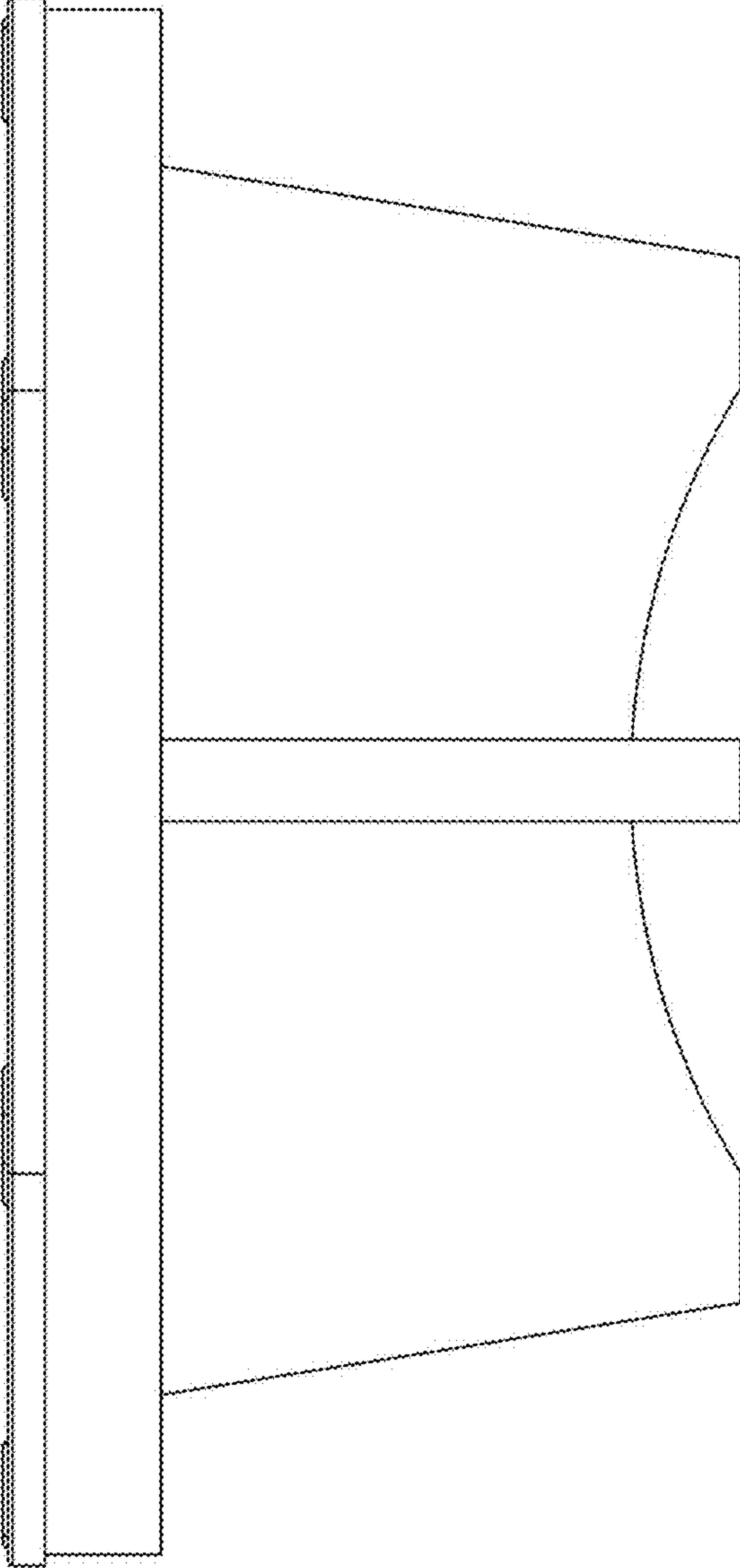


FIG. 1

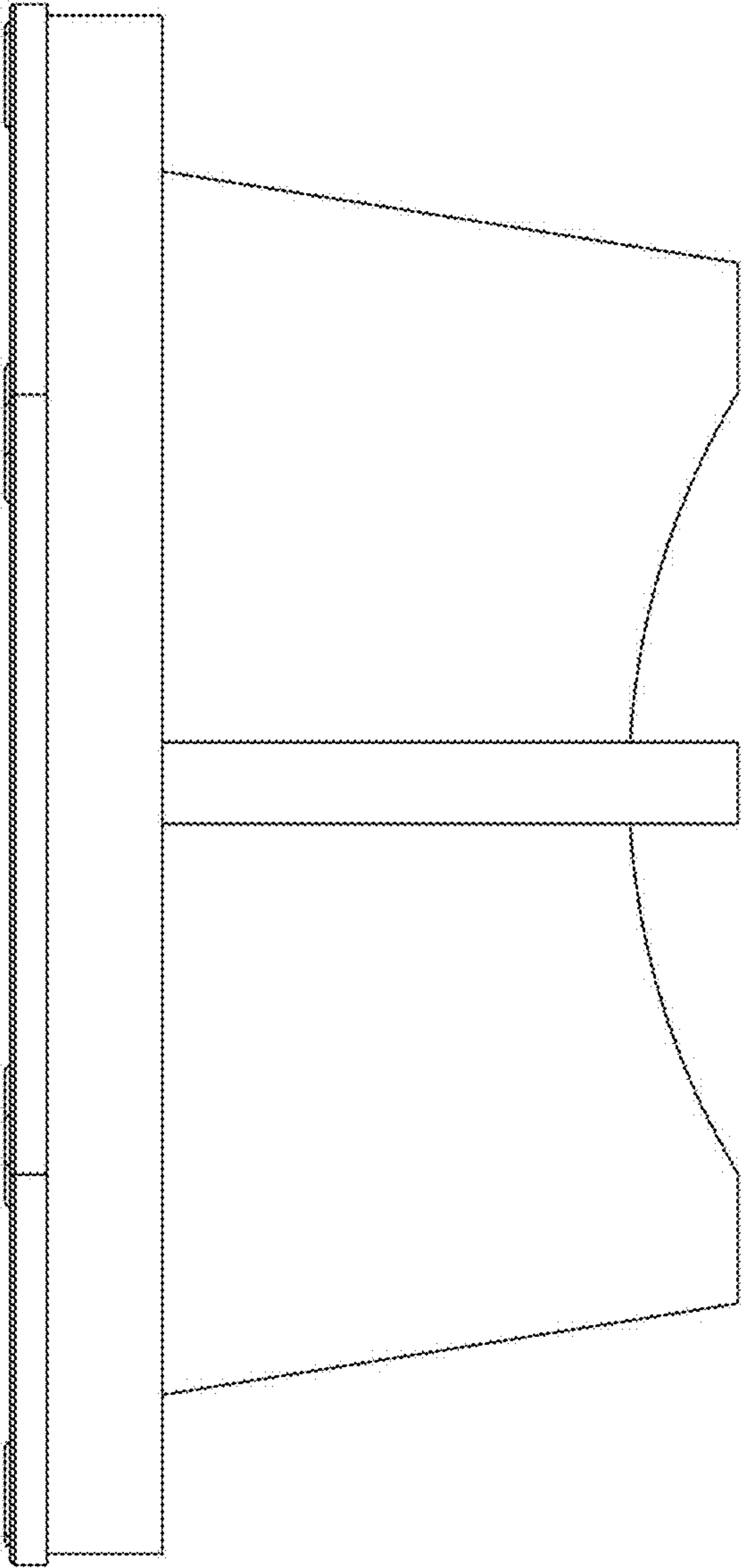


FIG. 2

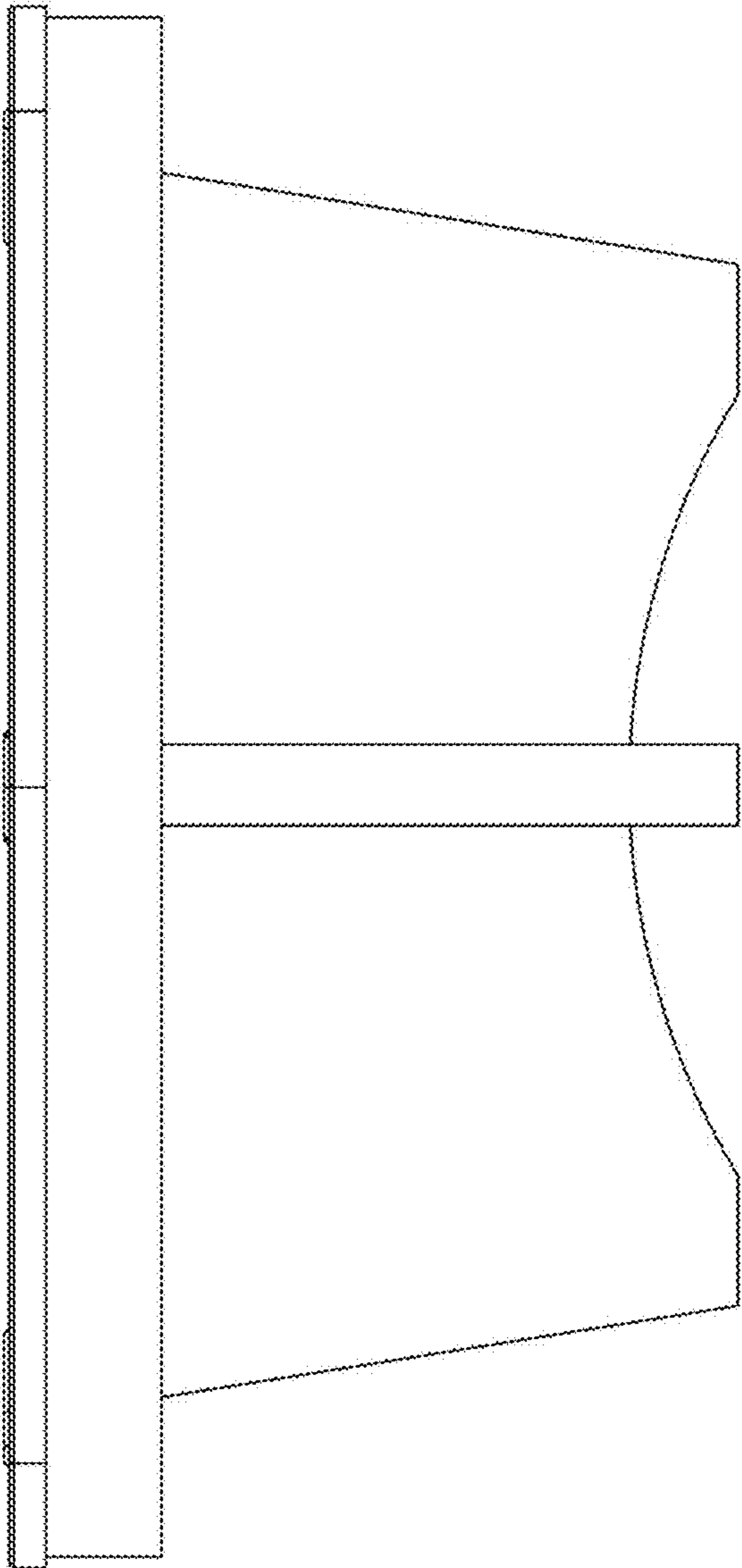


FIG. 3

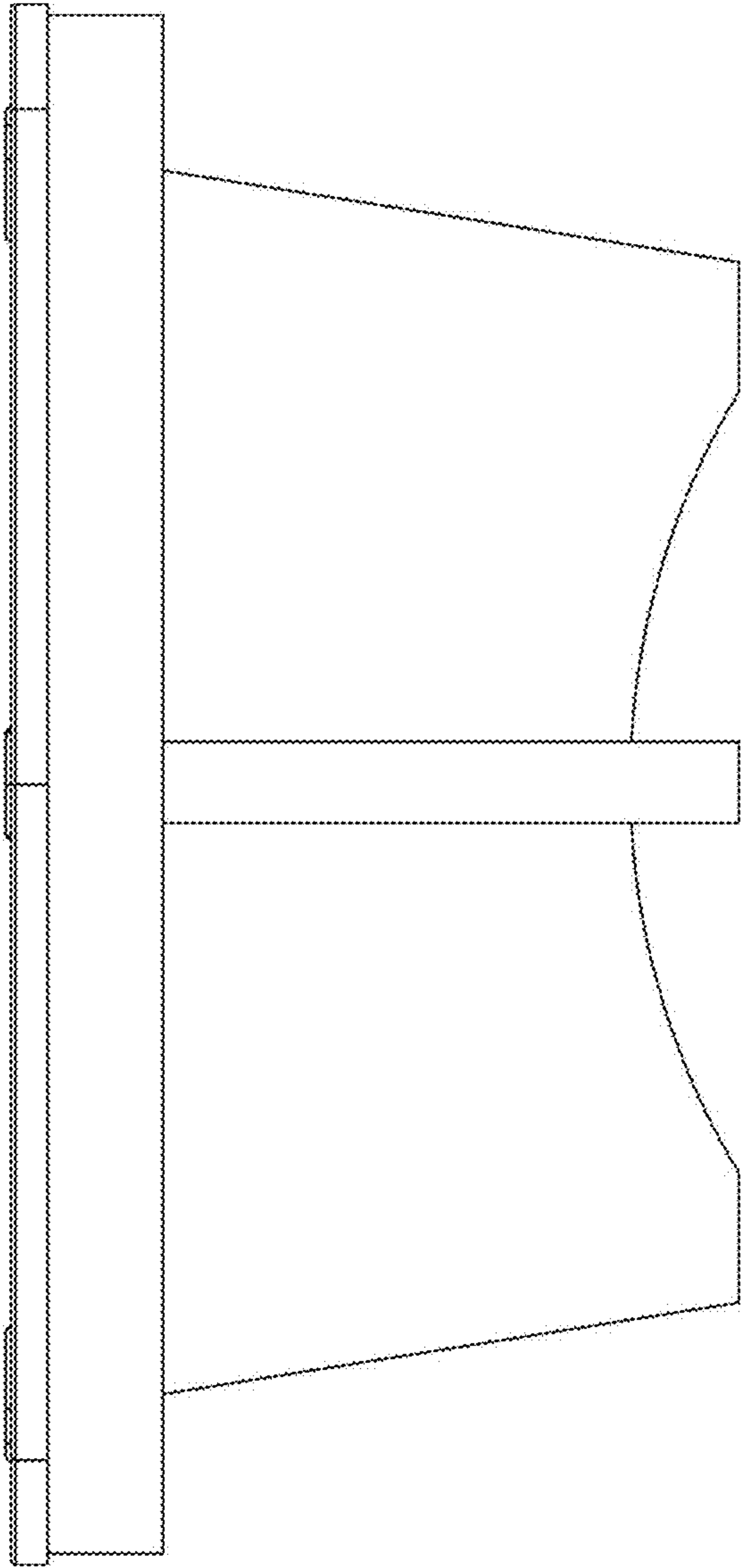


FIG. 4

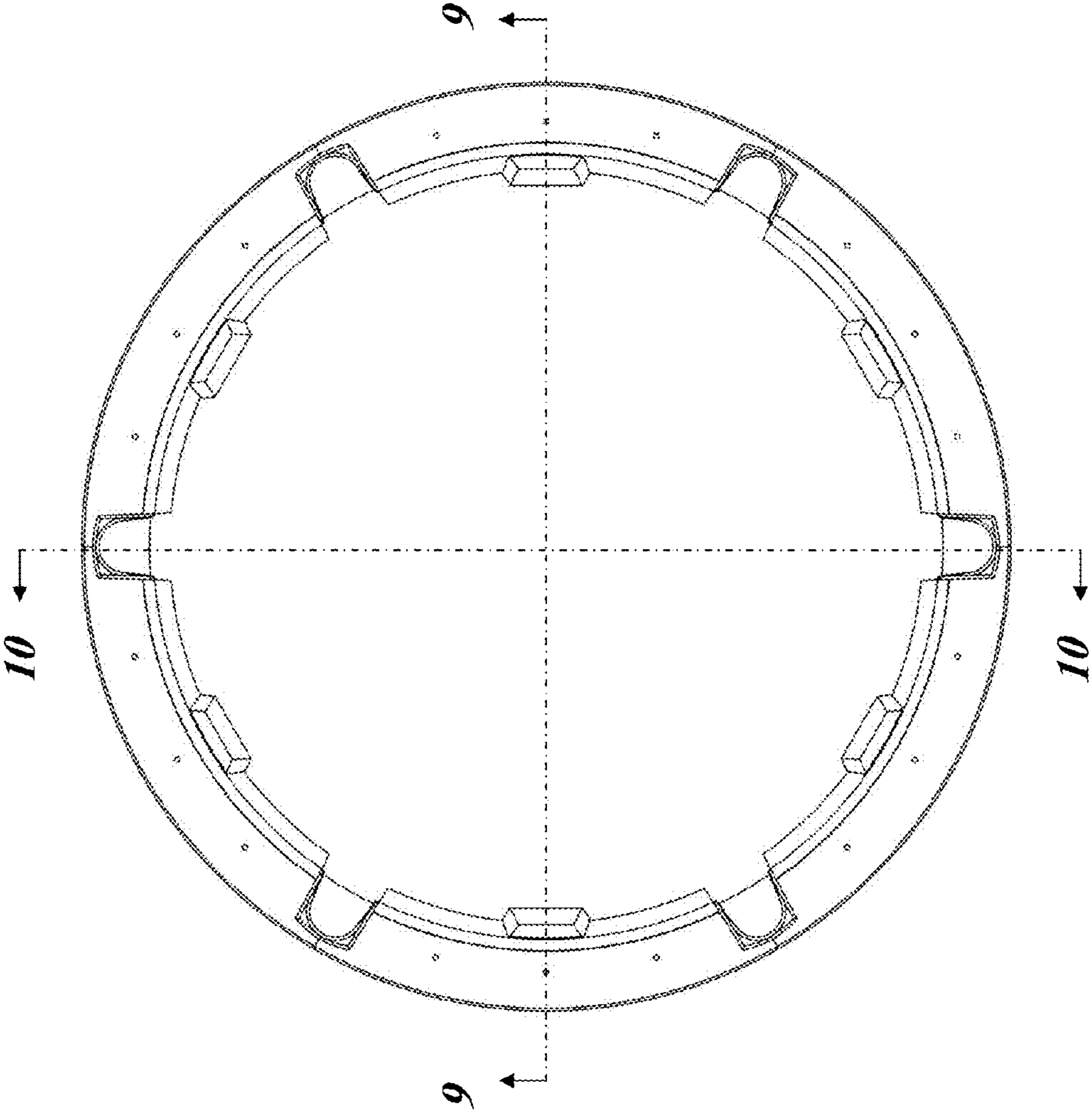


FIG. 5

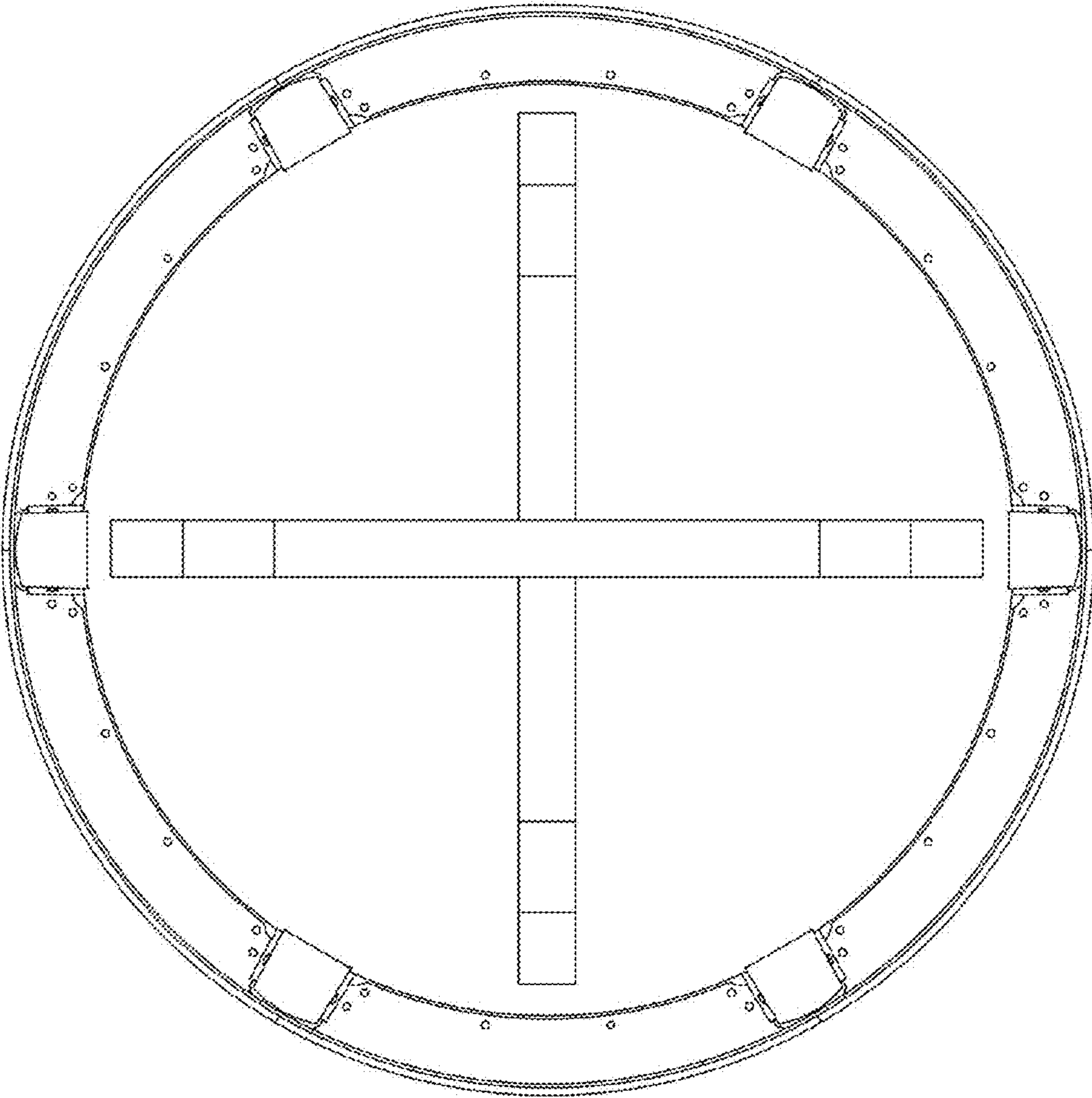


FIG. 6

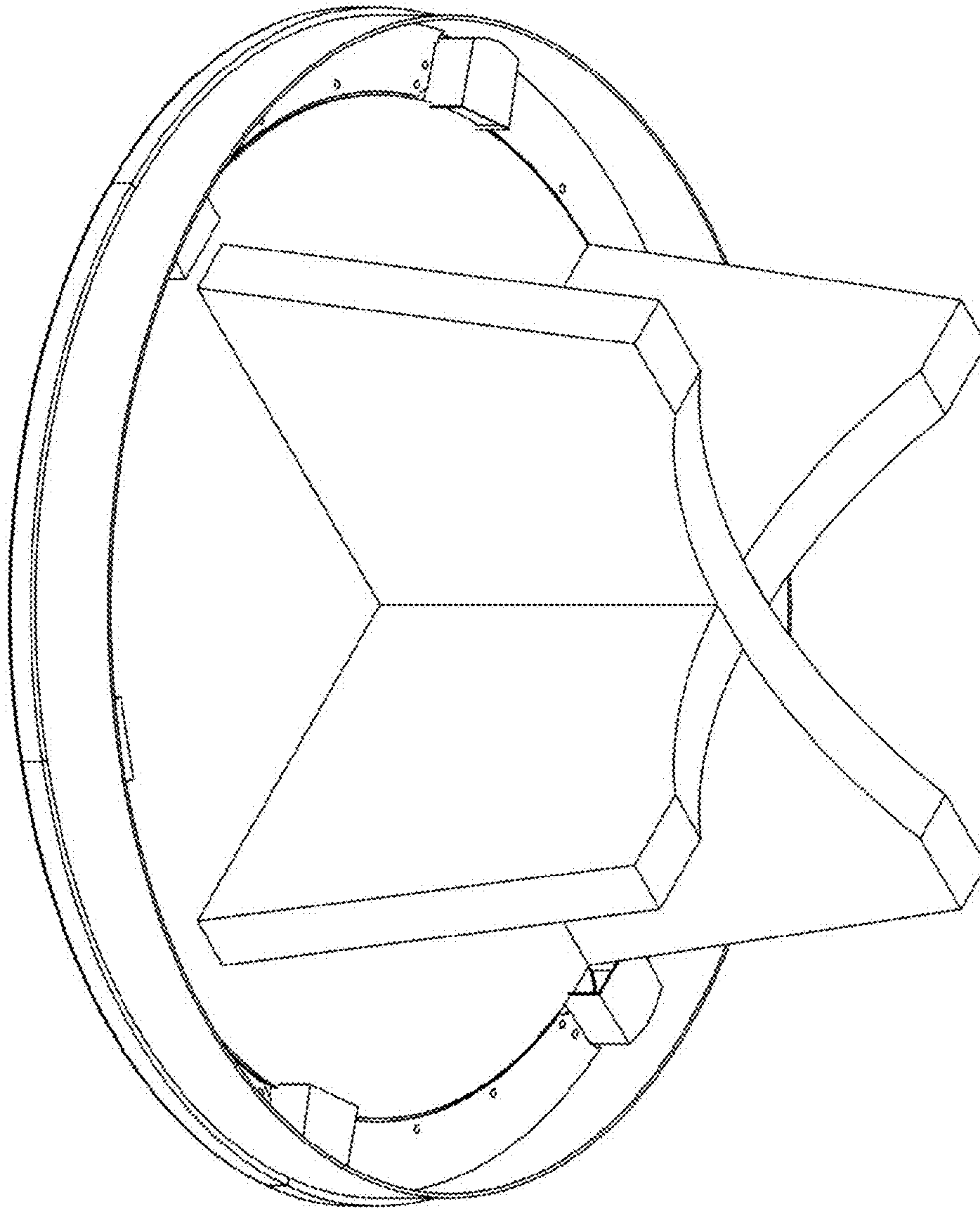


FIG. 7

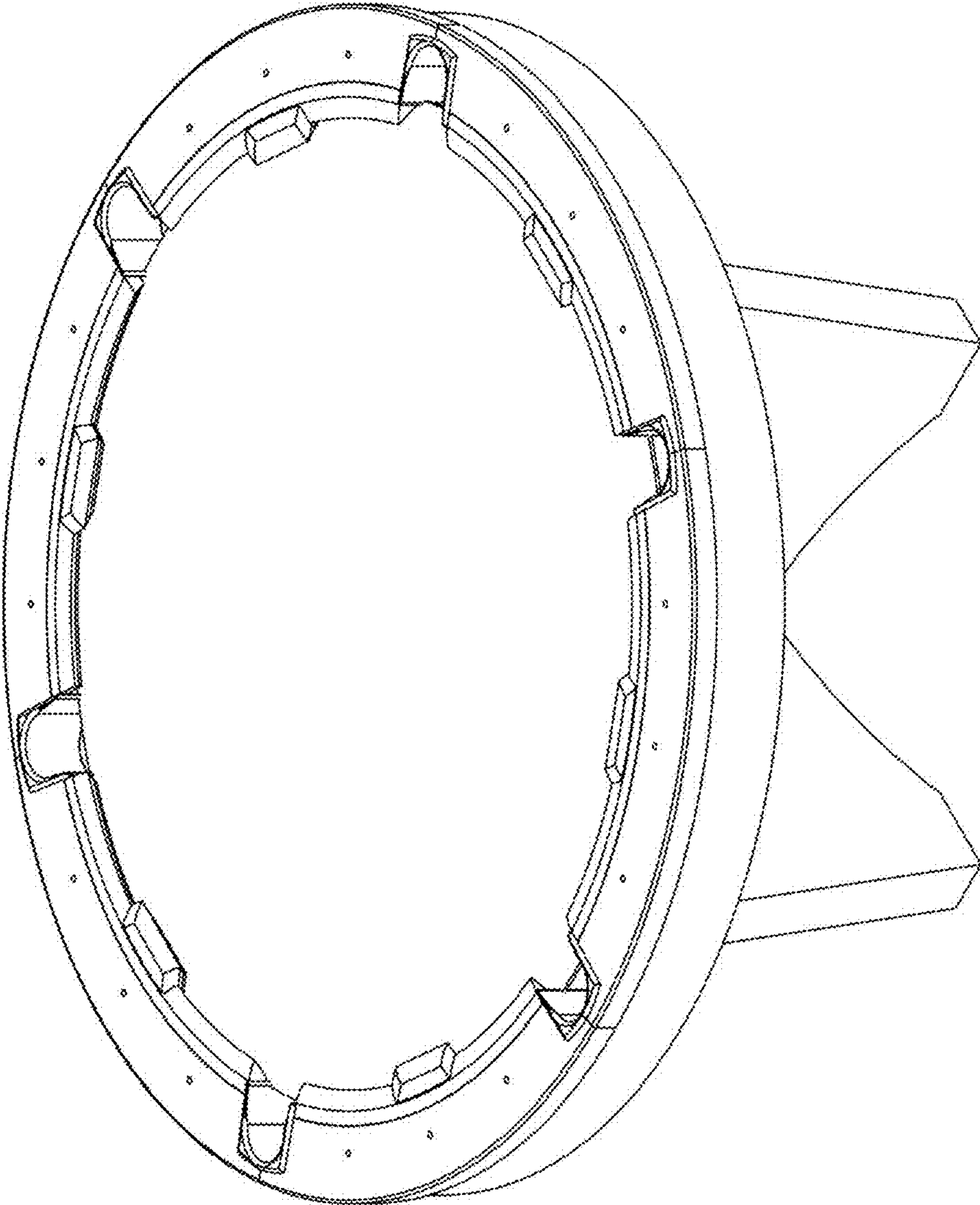


FIG. 8

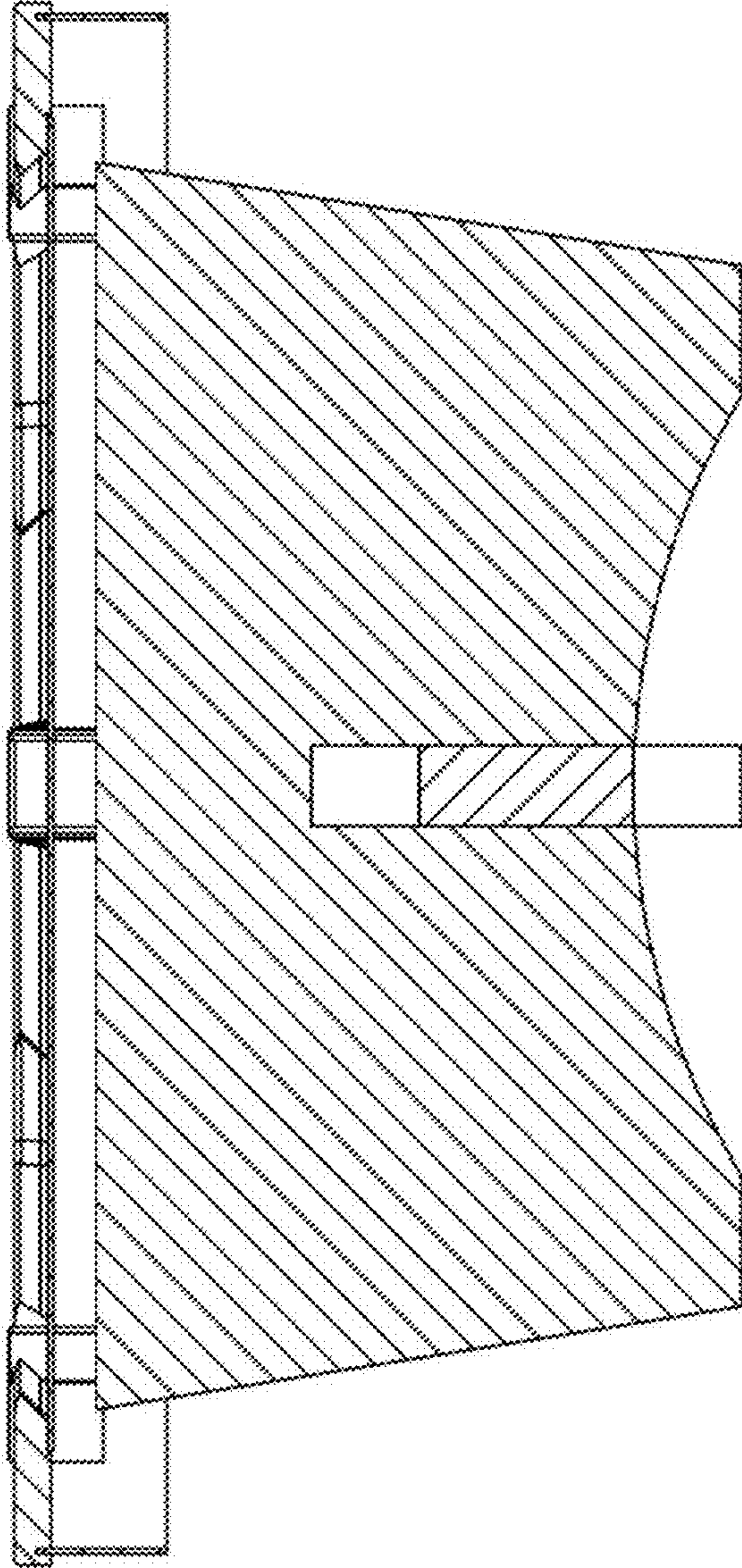


FIG. 9

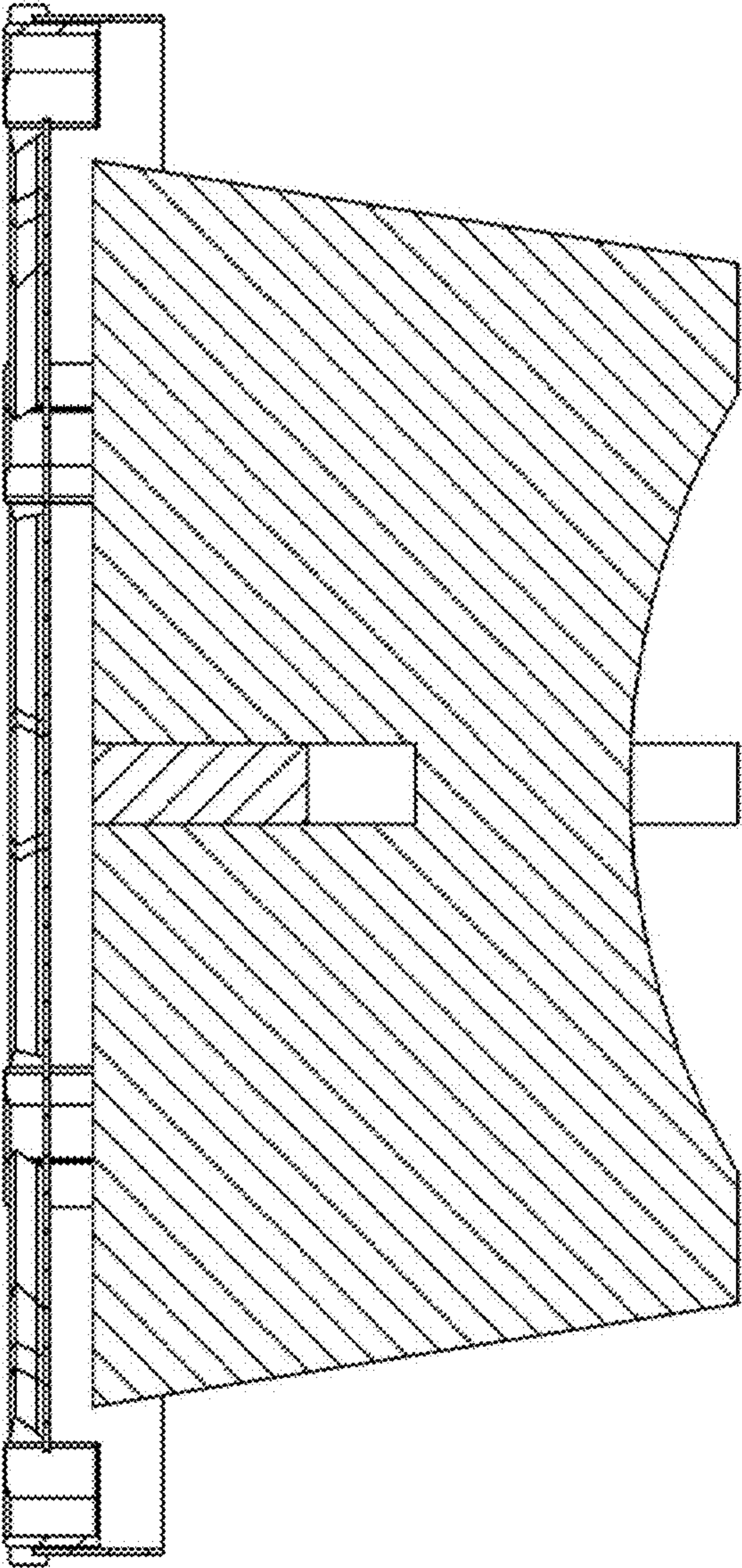


FIG. 10

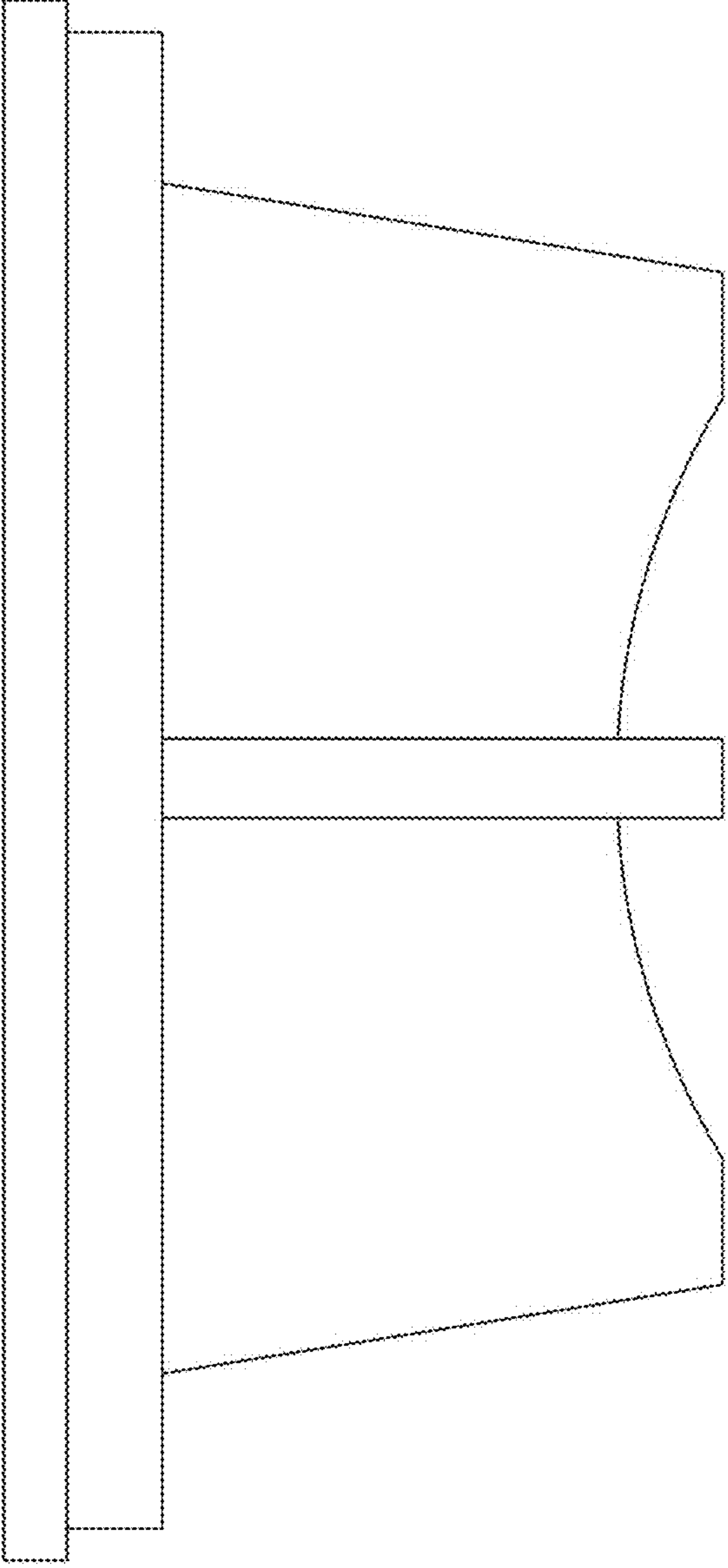


FIG. 11

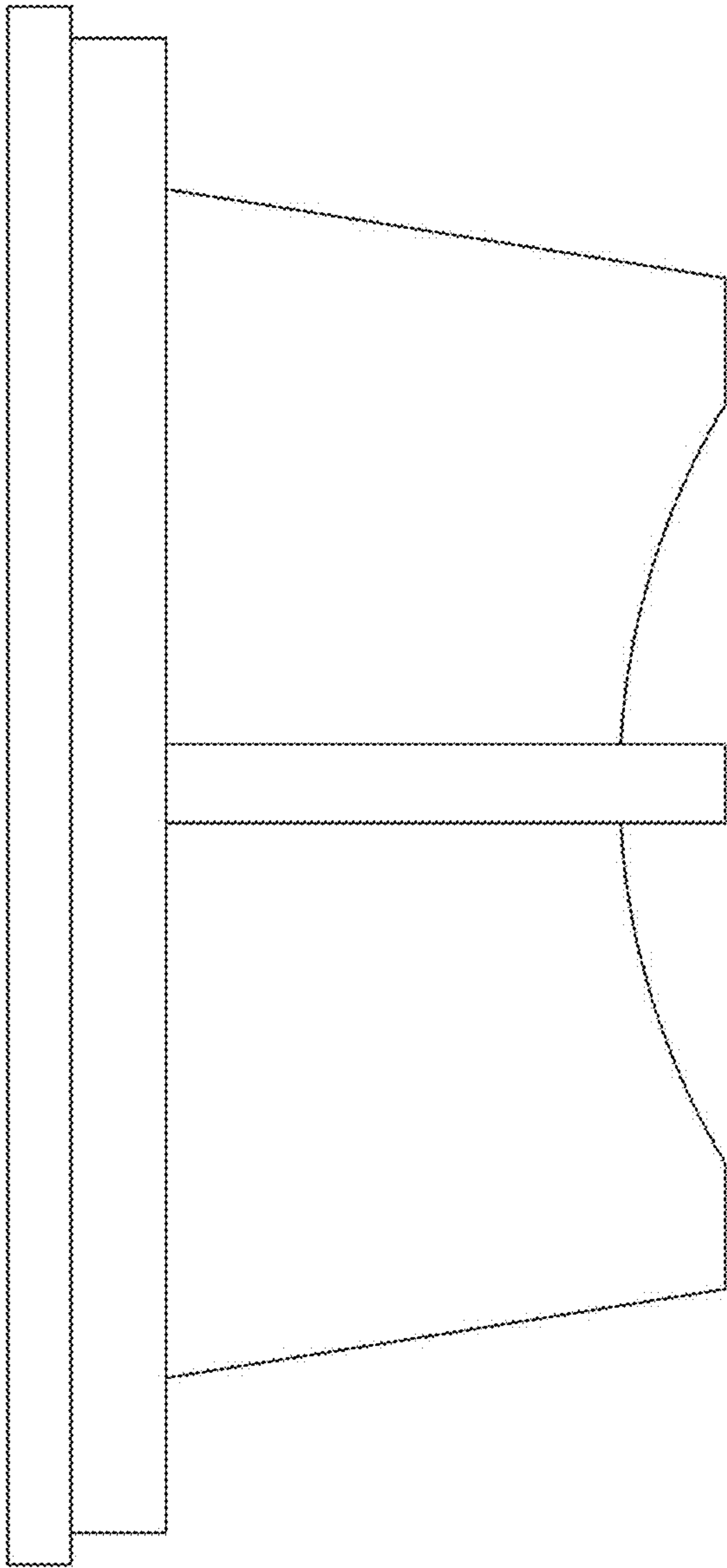


FIG. 12

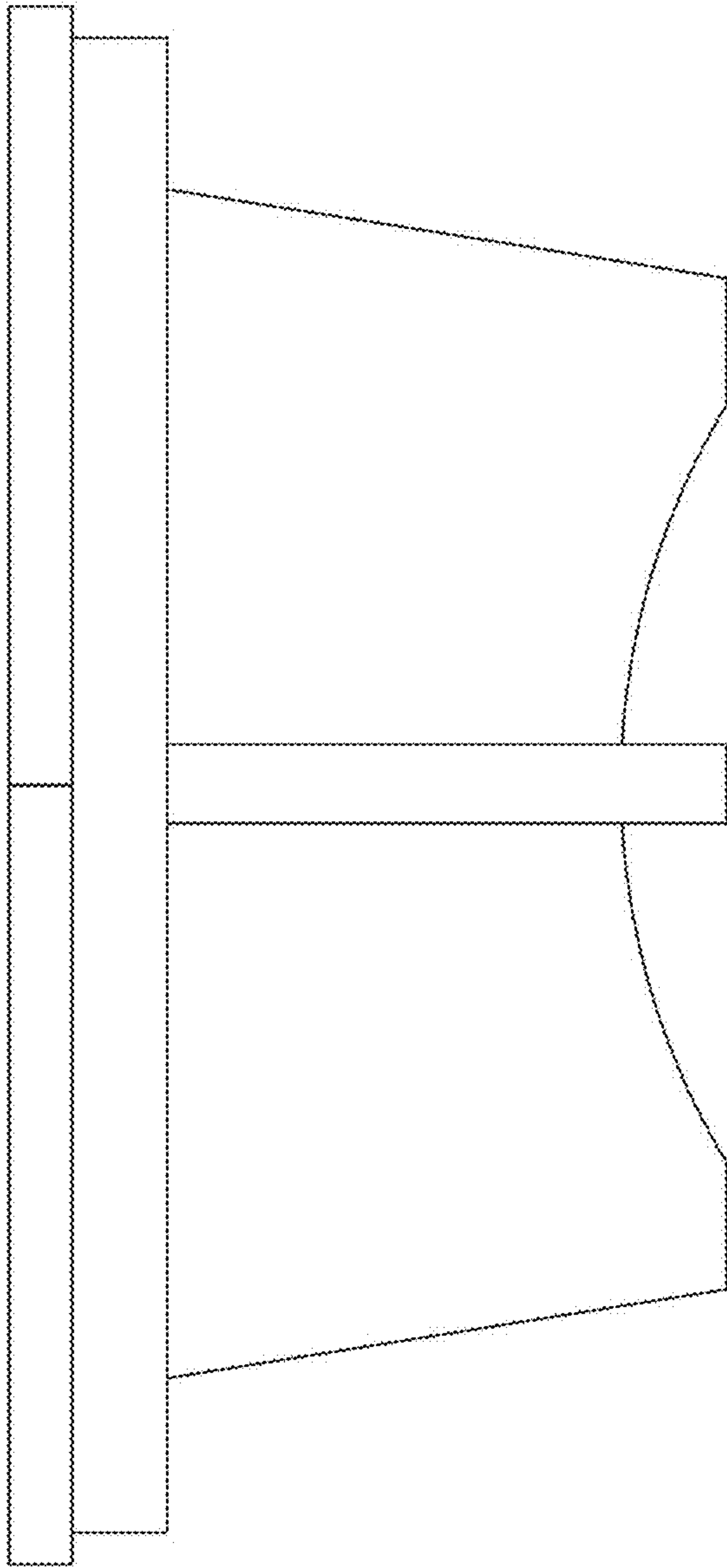


FIG. 13

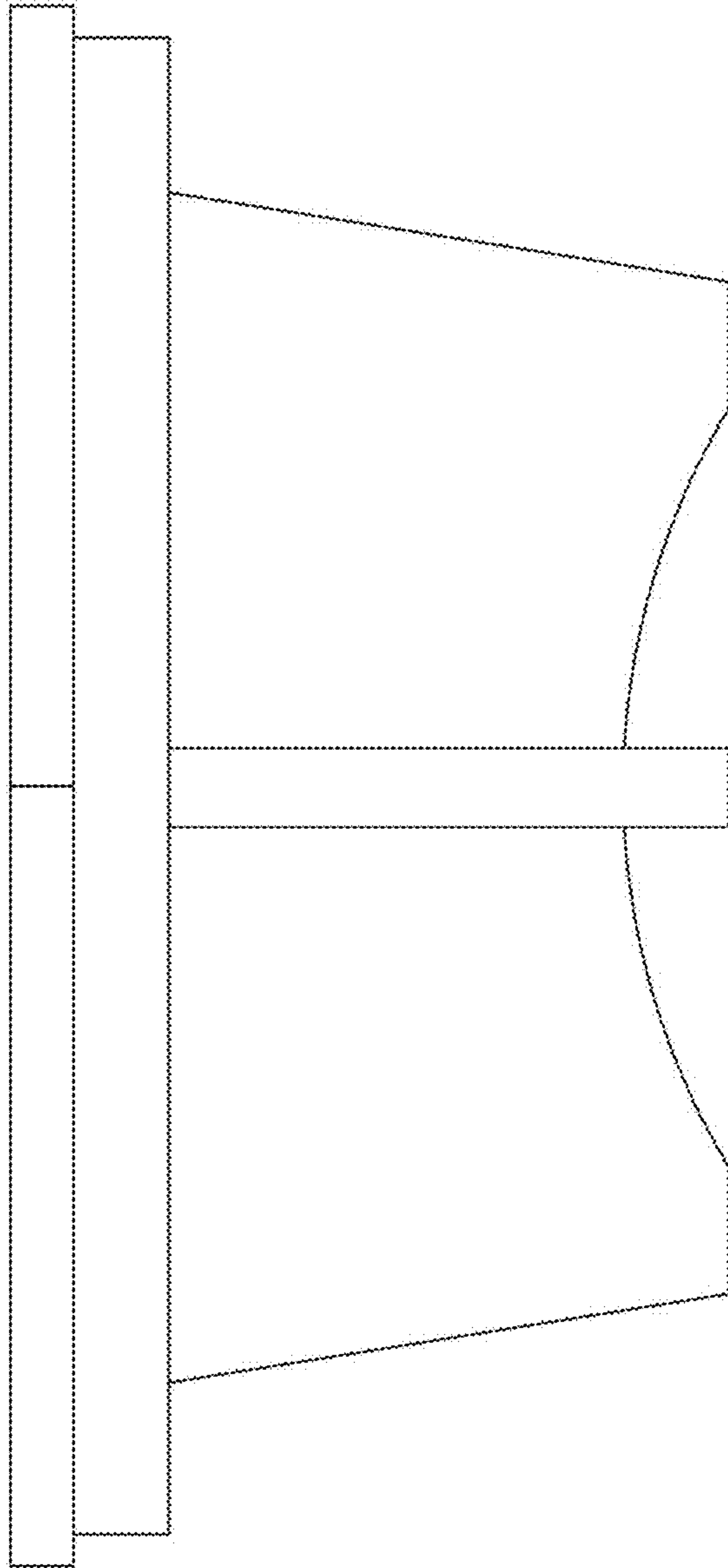


FIG. 14

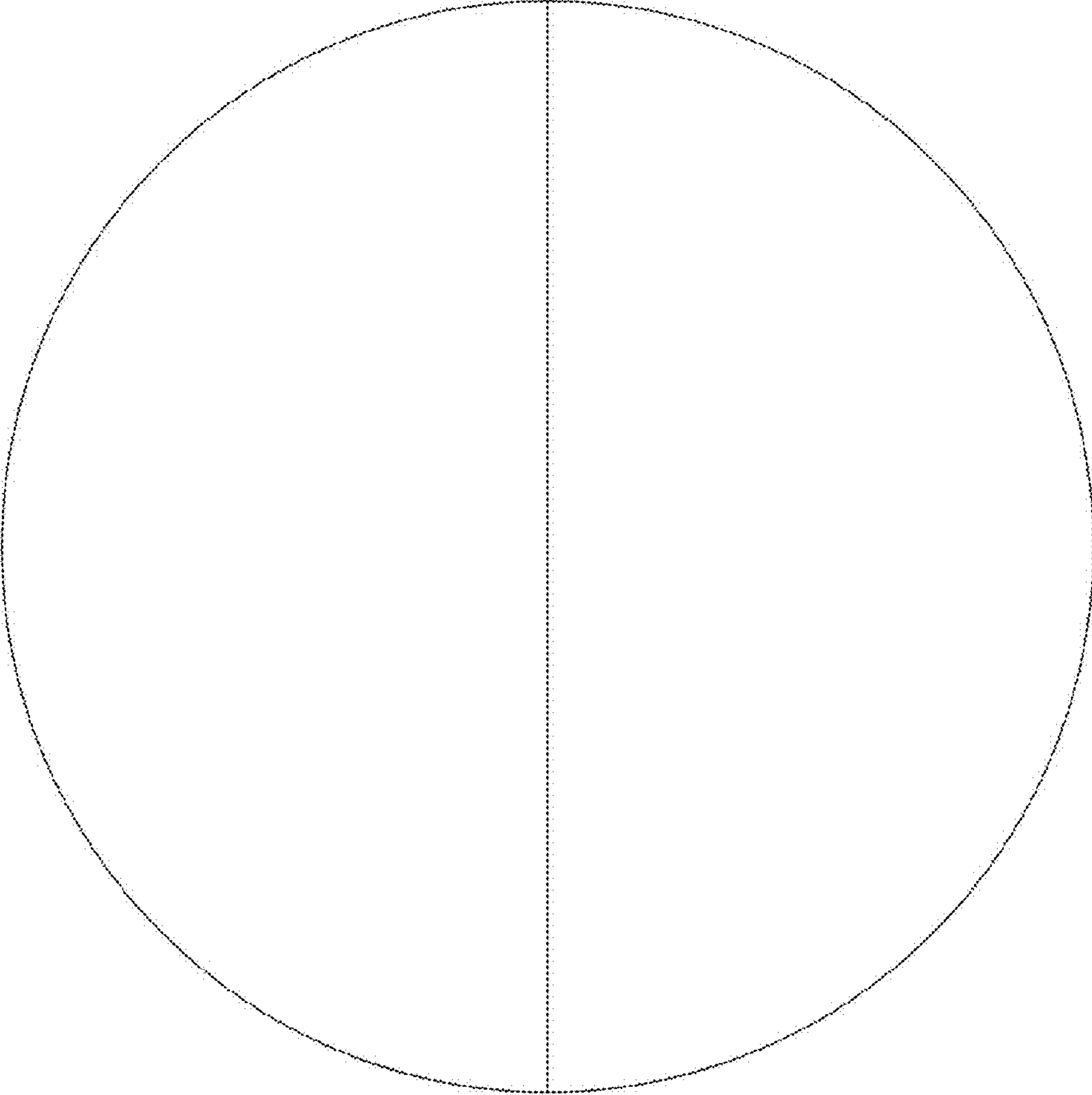


FIG. 15

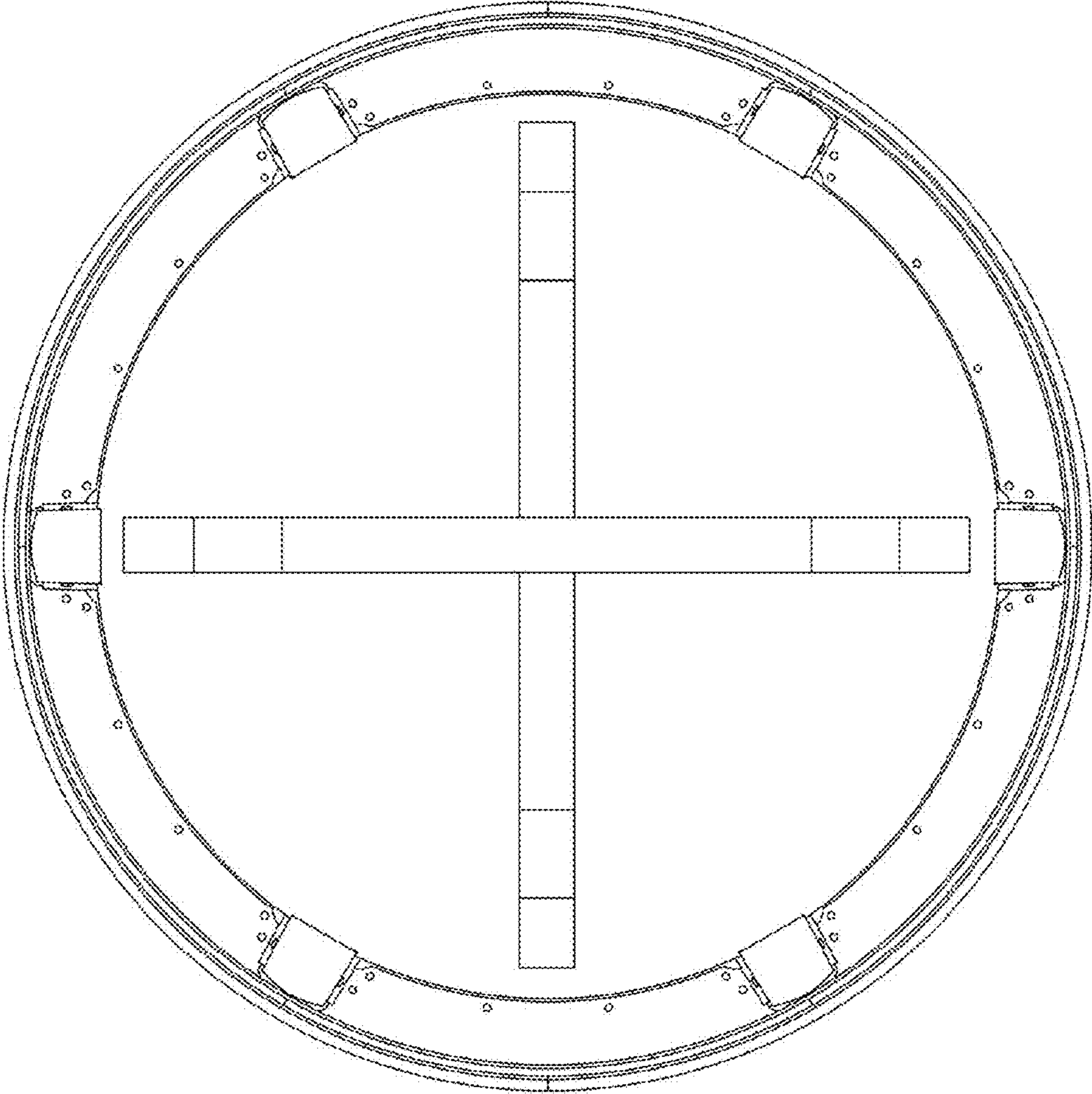


FIG. 16

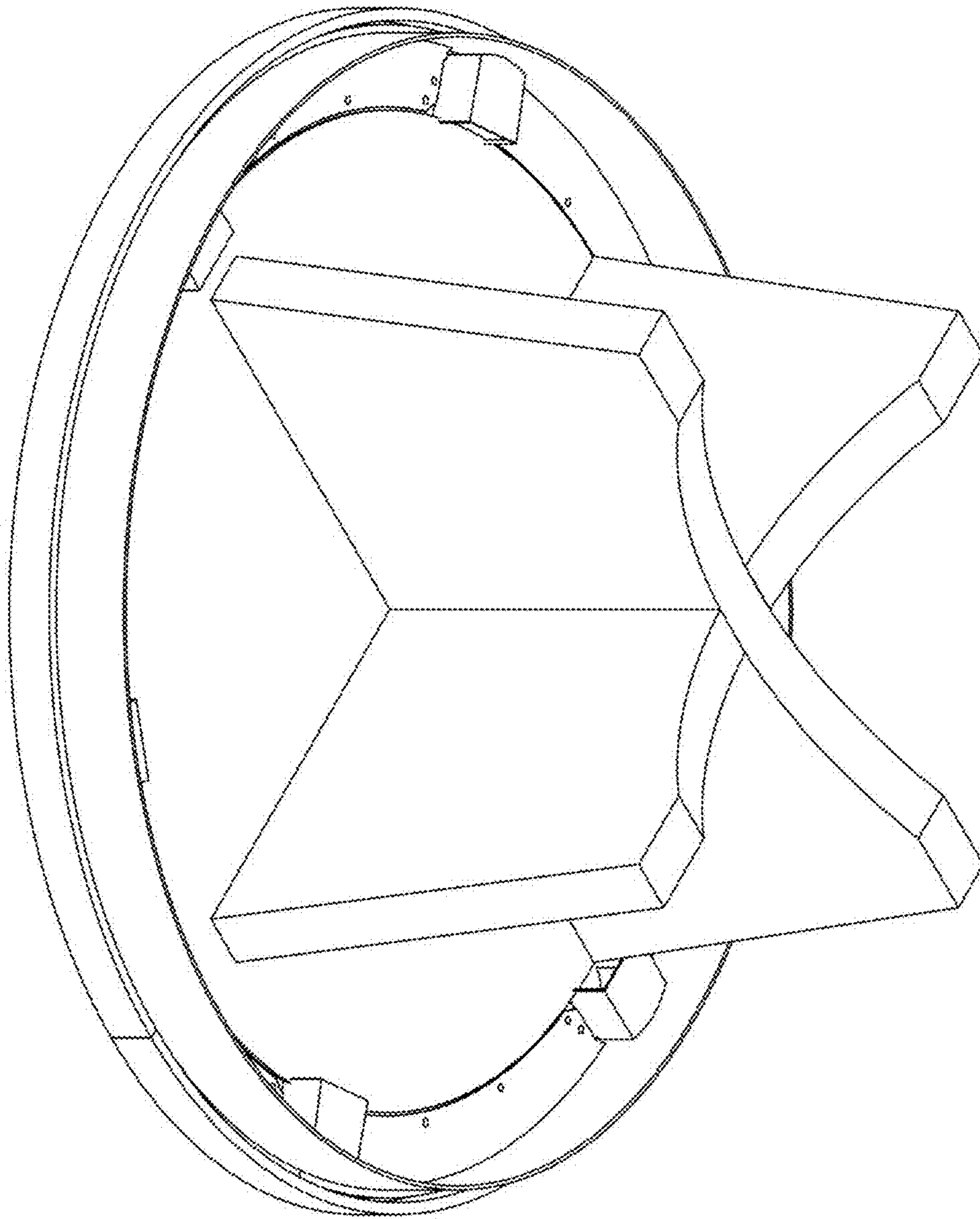


FIG. 17

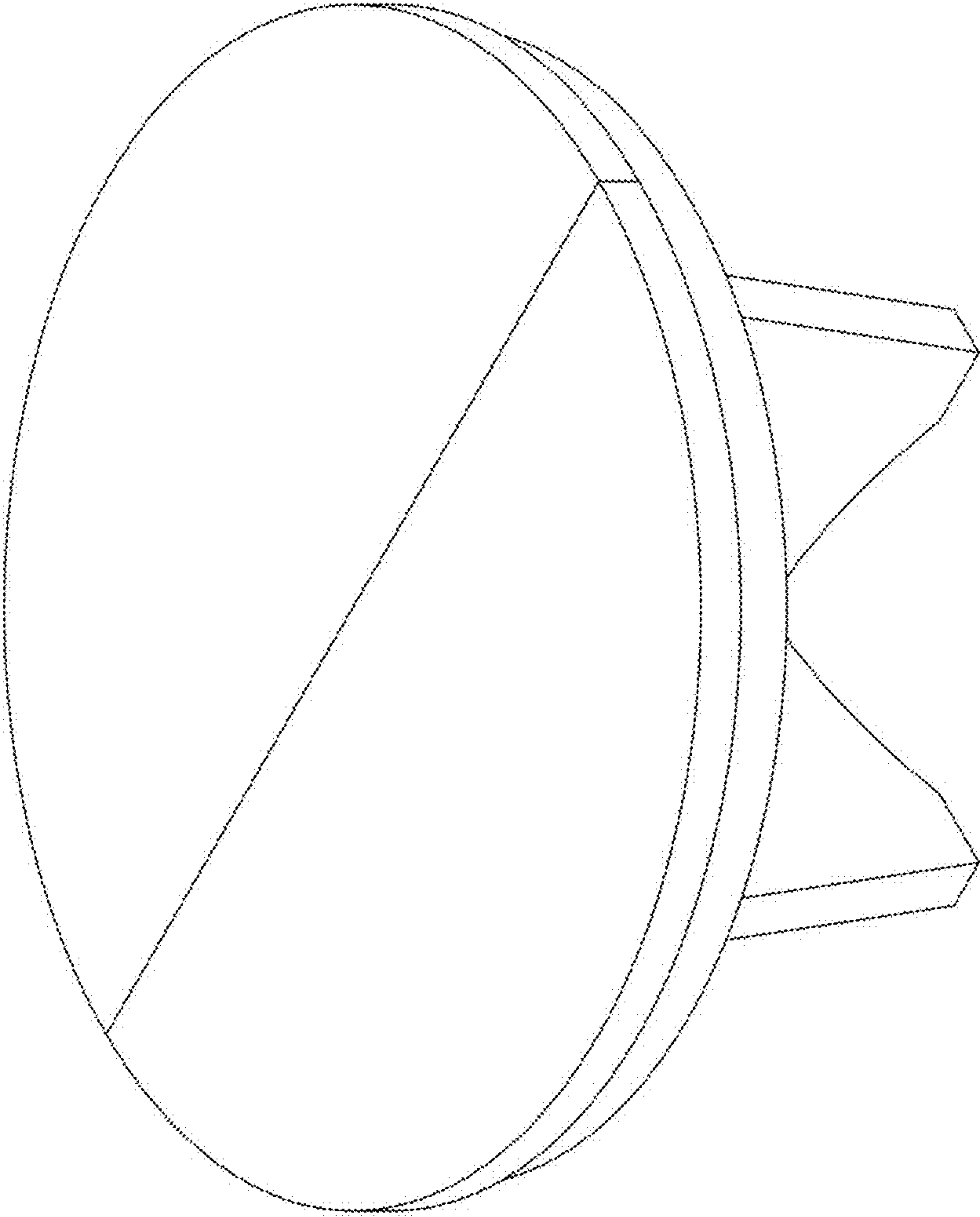


FIG. 18