



US00D759177S

(12) **United States Design Patent**
Abbott et al.

(10) **Patent No.:** **US D759,177 S**
(45) **Date of Patent:** **** Jun. 14, 2016**

- (54) **PUTTER HEAD**
- (71) Applicant: **CALLAWAY GOLF COMPANY**,
Carlsbad, CA (US)
- (72) Inventors: **Craig E. Abbott**, Vista, CA (US);
Augustin W. Rollinson, Carlsbad, CA
(US); **Brandon D. DeMille**, Carlsbad,
CA (US); **Kevin P. Dacey**, La Jolla, CA
(US)
- (73) Assignee: **Callaway Golf Company**, Carlsbad, CA
(US)

D582,497 S *	12/2008	Rollinson	D21/744
D589,575 S *	3/2009	Kim	D21/744
D591,807 S *	5/2009	Rollinson	D21/744
D595,373 S *	6/2009	Kim	D21/744
D635,626 S *	4/2011	Nicolette	D21/759
D642,643 S *	8/2011	Nicolette	D21/759
D648,407 S *	11/2011	Teramoto	D21/743
D661,754 S *	6/2012	Cameron	D21/759
D688,341 S *	8/2013	Rollinson	D21/746
D691,226 S *	10/2013	Hilton	D21/746
D704,782 S *	5/2014	Rollinson	D21/736
D707,771 S *	6/2014	Cameron	D21/759
D728,715 S *	5/2015	Cameron	D21/736
D730,464 S *	5/2015	Cameron	D21/743
D730,465 S *	5/2015	Cameron	D21/759

(**) Term: **15 Years**

* cited by examiner

(21) Appl. No.: **29/527,186**

Primary Examiner — Mitchell Siegel

(22) Filed: **May 15, 2015**

(74) *Attorney, Agent, or Firm* — Rebecca Hanovice;
Michael Catania; Sonia Lari

(51) **LOC (10) Cl.** **21-02**

(52) **U.S. Cl.**
USPC **D21/759**

(58) **Field of Classification Search**
USPC D21/736–746, 759
CPC .. A63B 53/065; A63B 53/0487; A63B 53/00;
A63B 53/04; A63B 53/007
See application file for complete search history.

(57) **CLAIM**

The ornamental design for a putter head, as shown and described.

(56) **References Cited**

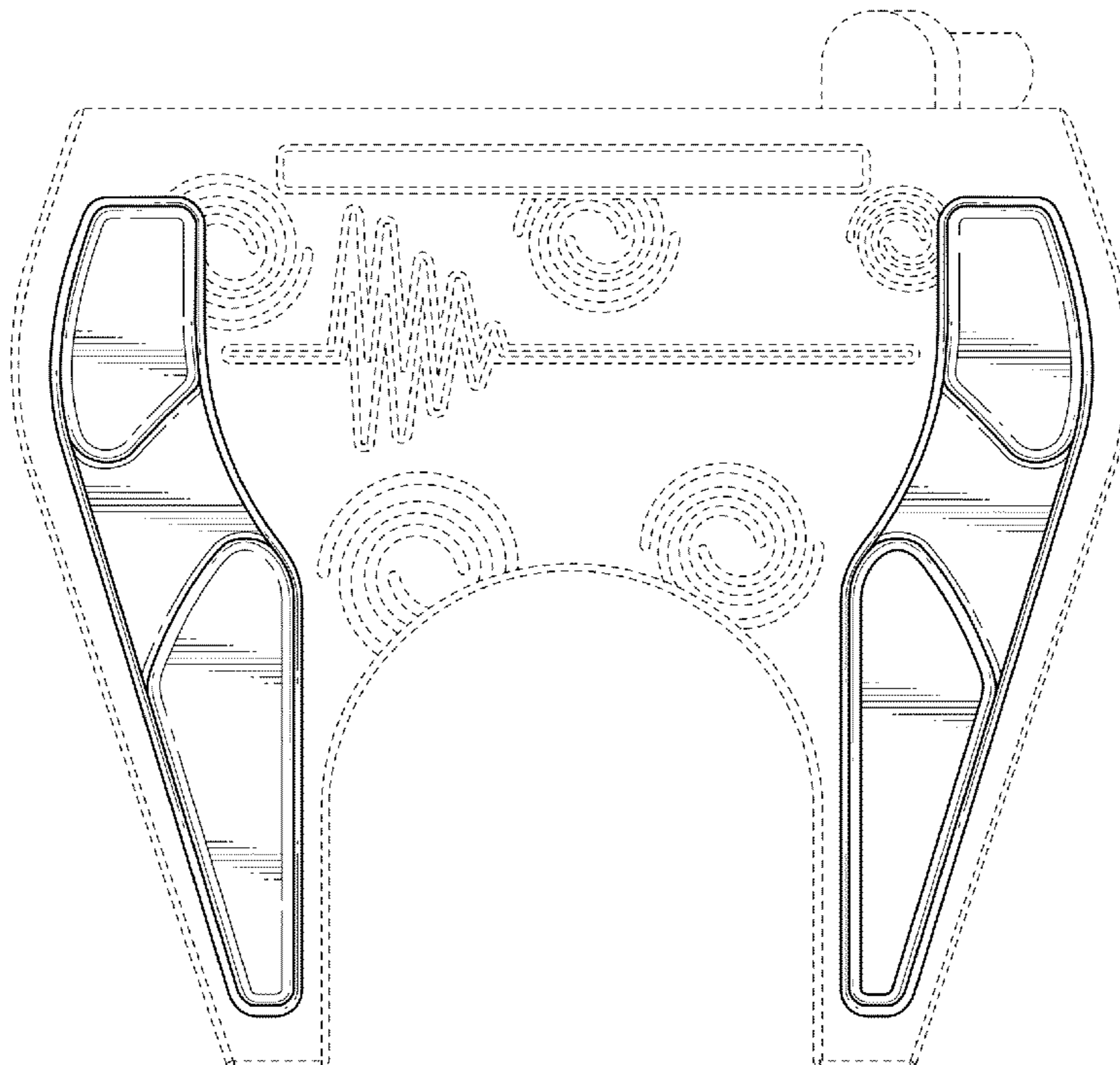
U.S. PATENT DOCUMENTS

D255,373 S *	6/1980	Solheim	D21/743
D532,845 S *	11/2006	Rollinson	D21/736
D574,908 S *	8/2008	Hettinger	D21/743

DESCRIPTION

FIG. 1 is a rear elevational view of the putter head as claimed herein;
FIG. 2 is a right side elevational view thereof;
FIG. 3 is a left side elevational view thereof; and,
FIG. 4 is a bottom plan view thereof.
The broken lines are included for the purpose of illustration and form no part of the claimed design.

1 Claim, 4 Drawing Sheets



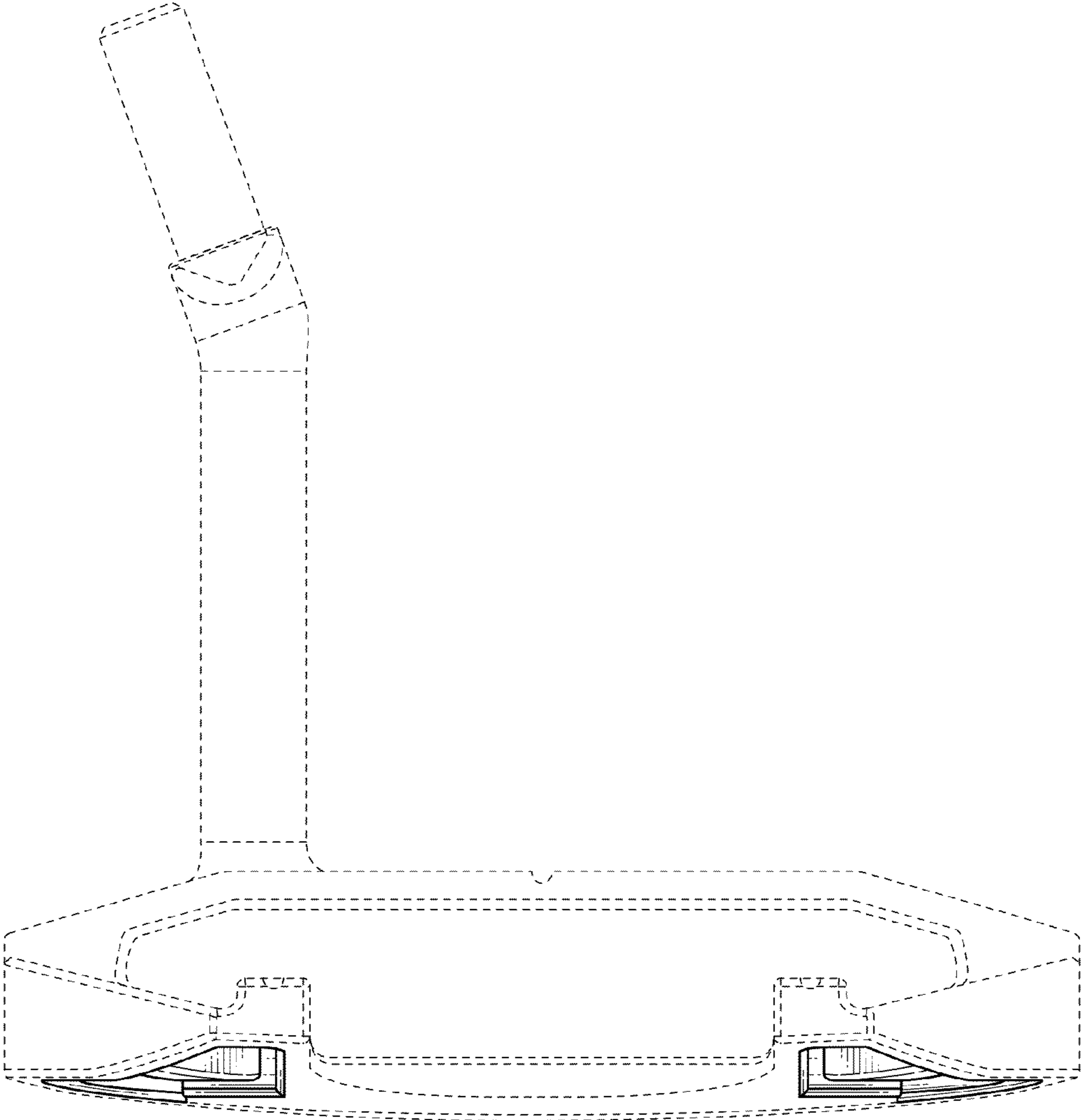


FIG. 1

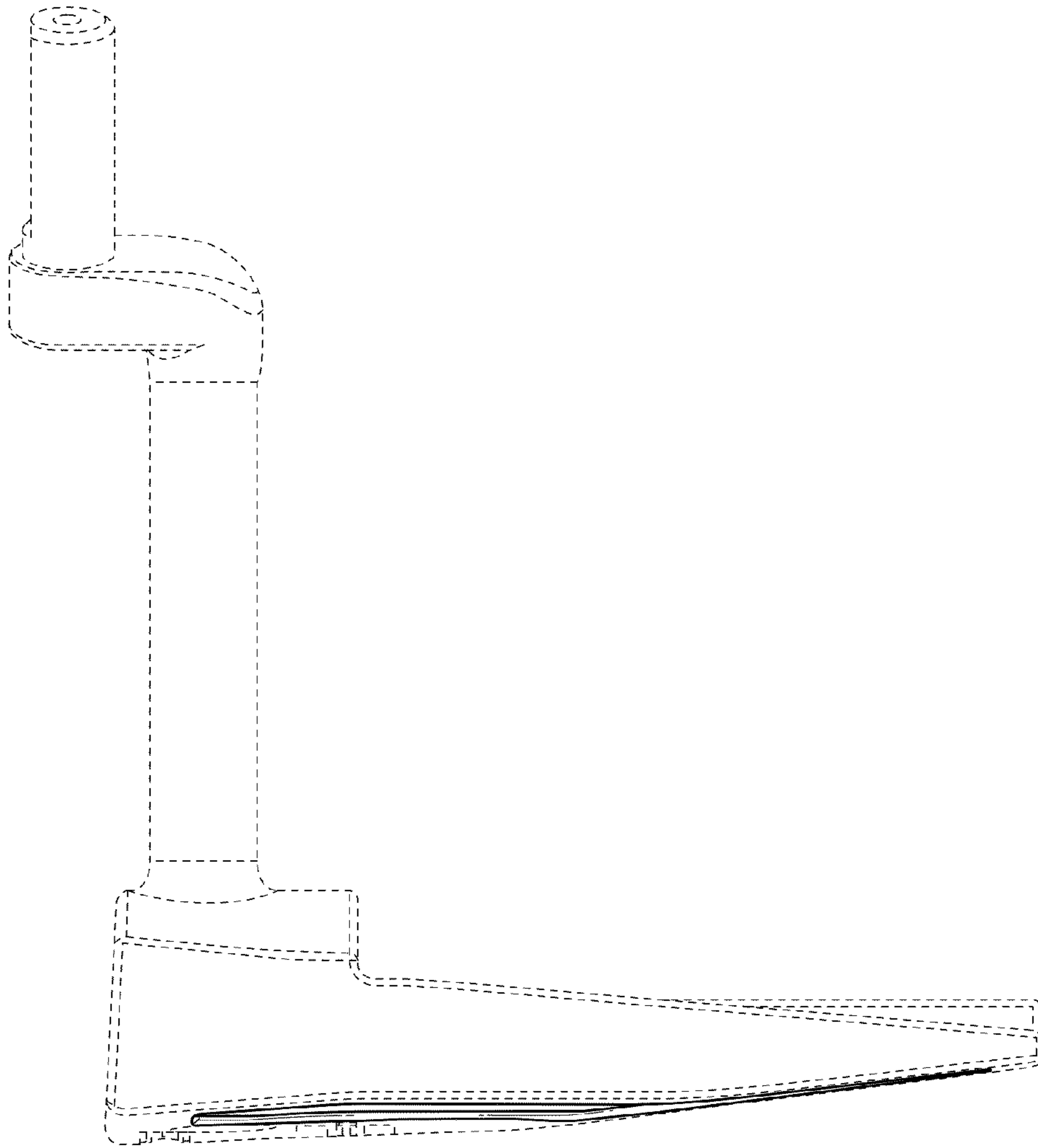


FIG. 2

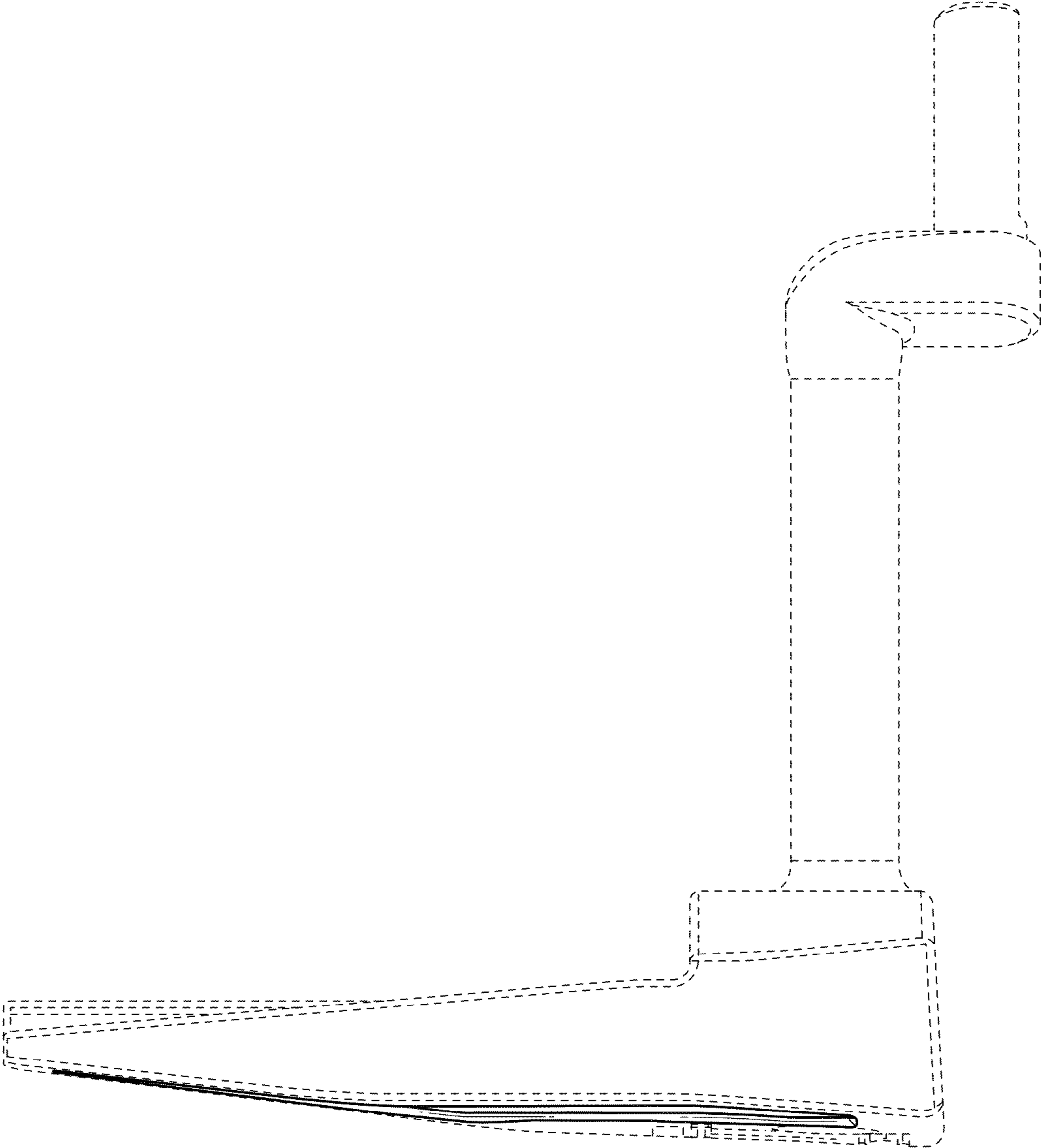


FIG. 3

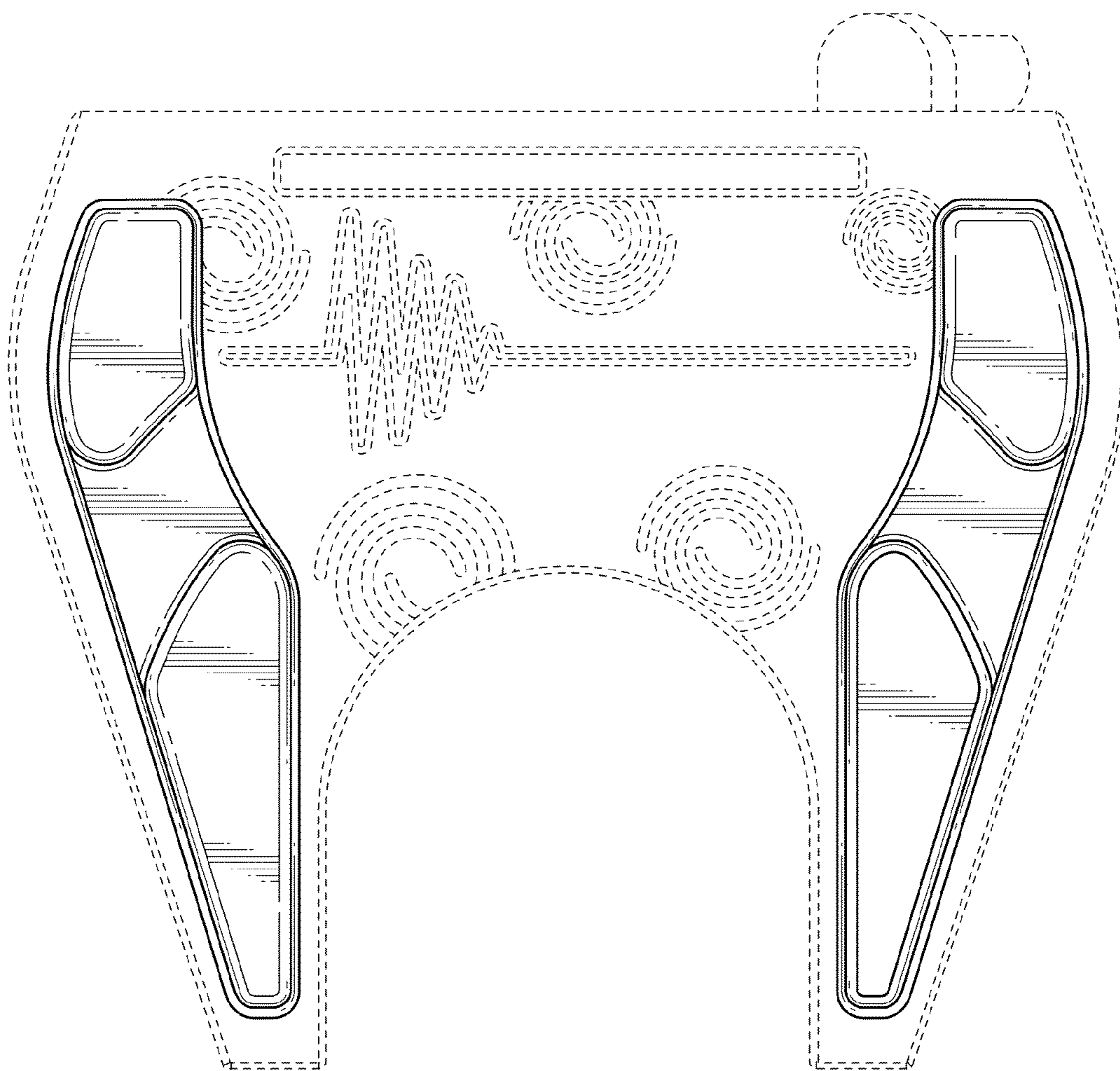


FIG. 4