



US00D759174S

(12) **United States Design Patent**
Rollinson et al.

(10) **Patent No.:** **US D759,174 S**
(45) **Date of Patent:** **** Jun. 14, 2016**

(54) **PUTTER HEAD**

(71) Applicant: **CALLAWAY GOLF COMPANY,**
Carlsbad, CA (US)

(72) Inventors: **Augustin W. Rollinson,** Carlsbad, CA
(US); **William L. Hunter,** San Diego,
CA (US)

(73) Assignee: **Callaway Golf Company,** Carlsbad, CA
(US)

(**) Term: **15 Years**

(21) Appl. No.: **29/527,932**

(22) Filed: **May 22, 2015**

(51) **LOC (10) Cl.** **21-02**

(52) **U.S. Cl.**
USPC **D21/743**

(58) **Field of Classification Search**
USPC D21/736-746, 759
CPC A63B 53/00; A63B 53/04; A63B 53/007;
A63B 53/065; A63B 53/0487
See application file for complete search history.

(56) **References Cited**

U.S. PATENT DOCUMENTS

D231,375 S * 4/1974 Solheim 473/314
D381,725 S * 7/1997 Sugo D21/742
D402,343 S * 12/1998 Helmstetter D21/736

D405,836 S * 2/1999 Nicolette D21/736
D408,064 S * 4/1999 Slucker D21/736
D411,271 S * 6/1999 Nelson D21/738
D449,865 S * 10/2001 Fife, Jr. D21/736
D472,949 S * 4/2003 Serrano D21/736
D514,181 S * 1/2006 Cameron D21/738
D604,782 S * 11/2009 Franklin D21/736
D720,022 S * 12/2014 Rollinson D21/736
D720,023 S * 12/2014 Rollinson D21/736

* cited by examiner

Primary Examiner — Mitchell Siegel

(74) *Attorney, Agent, or Firm* — Rebecca Hanovice;
Michael Catania; Sonia Lari

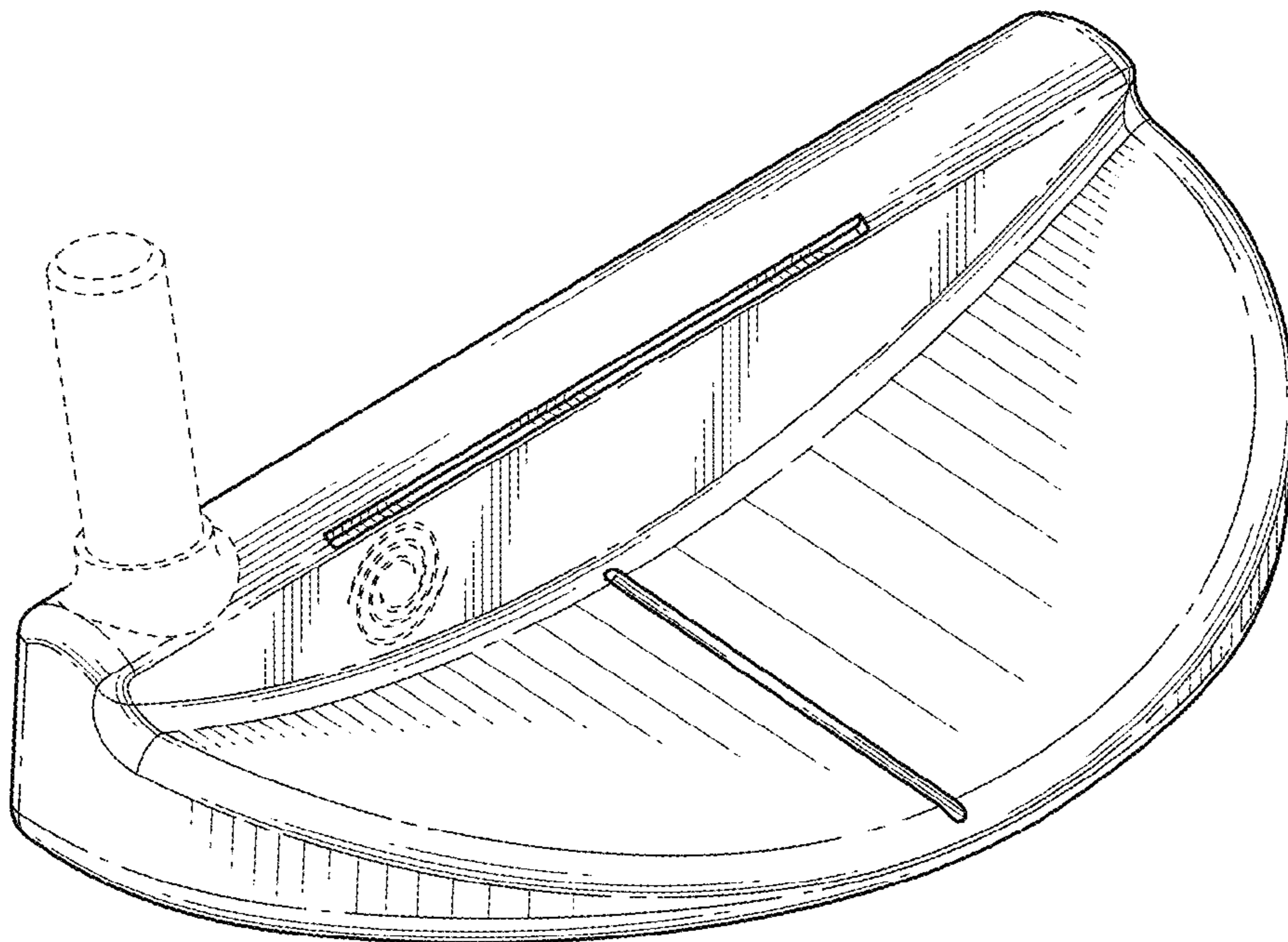
(57) **CLAIM**

The ornamental design for a putter head, as shown and described.

DESCRIPTION

FIG. 1 is a rear perspective view of a the putter head as claimed herein;
FIG. 2 is a rear elevational view thereof;
FIG. 3 is a front elevational view thereof;
FIG. 4 is a right side perspective view thereof;
FIG. 5 is a left side perspective view thereof;
FIG. 6 is a top plan view thereof; and,
FIG. 7 is a bottom plan view thereof.
The broken lines are included for the purpose of illustration and form no part of the claimed design.

1 Claim, 4 Drawing Sheets



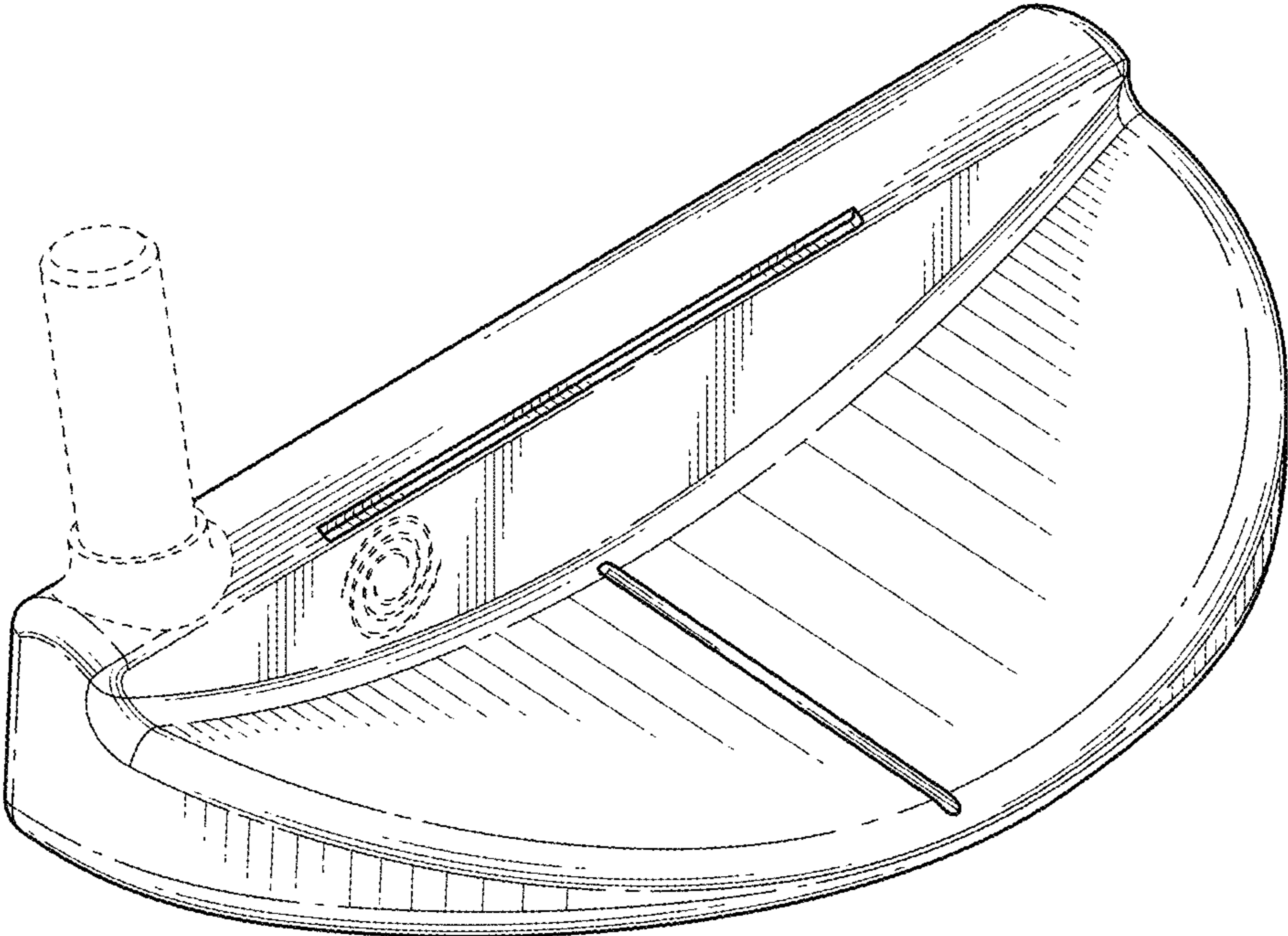


FIG. 1

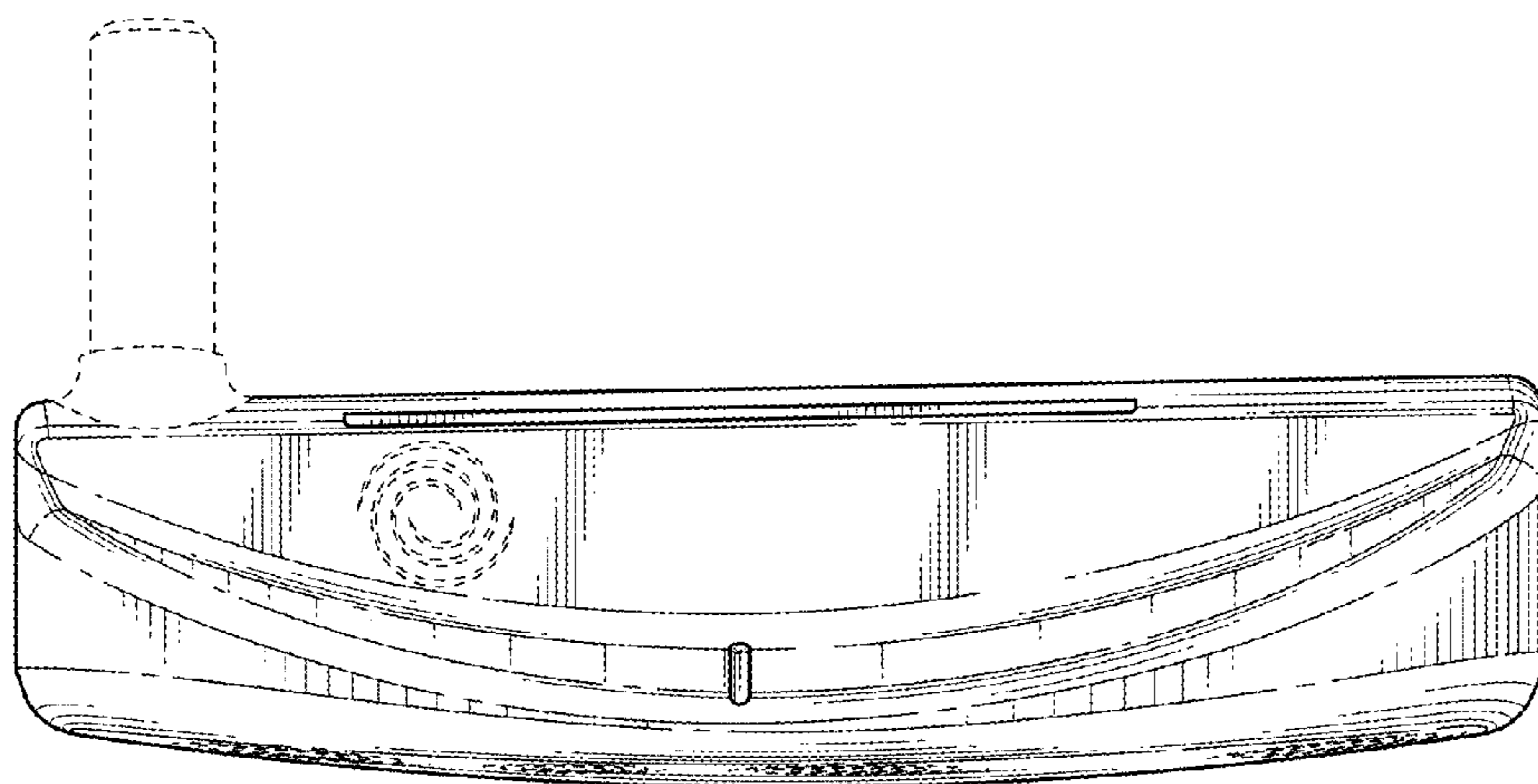


FIG. 2

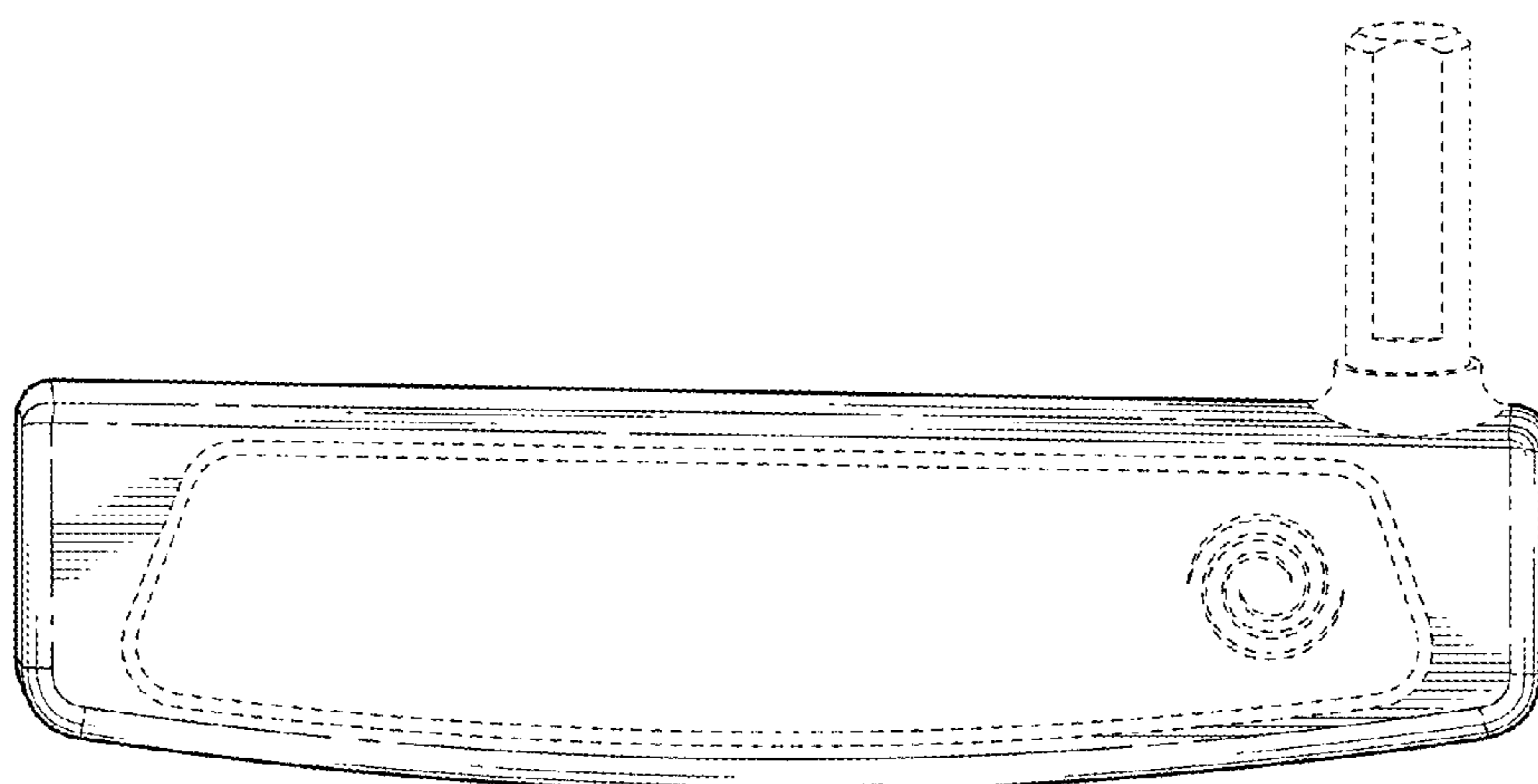


FIG. 3

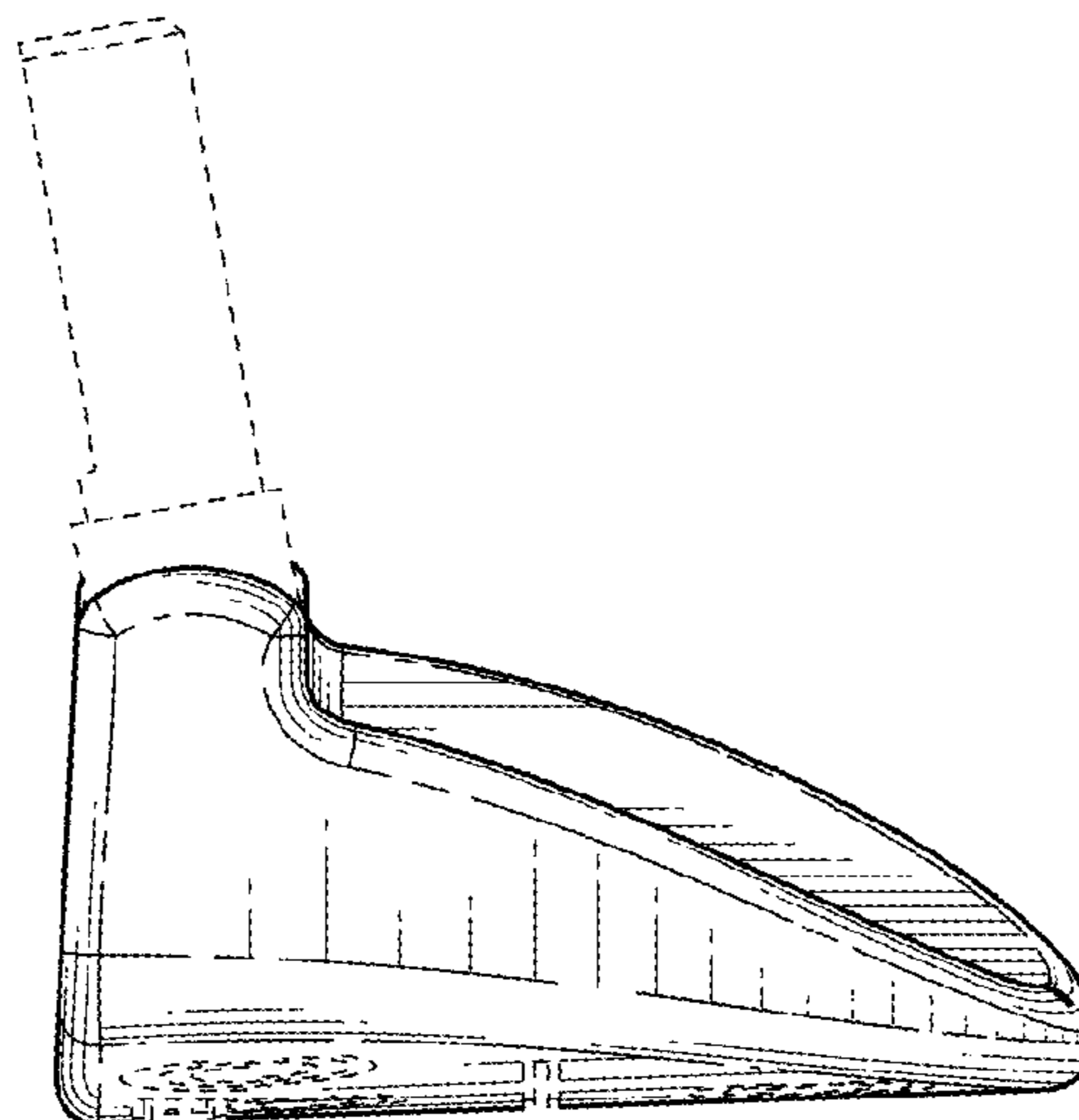


FIG. 4

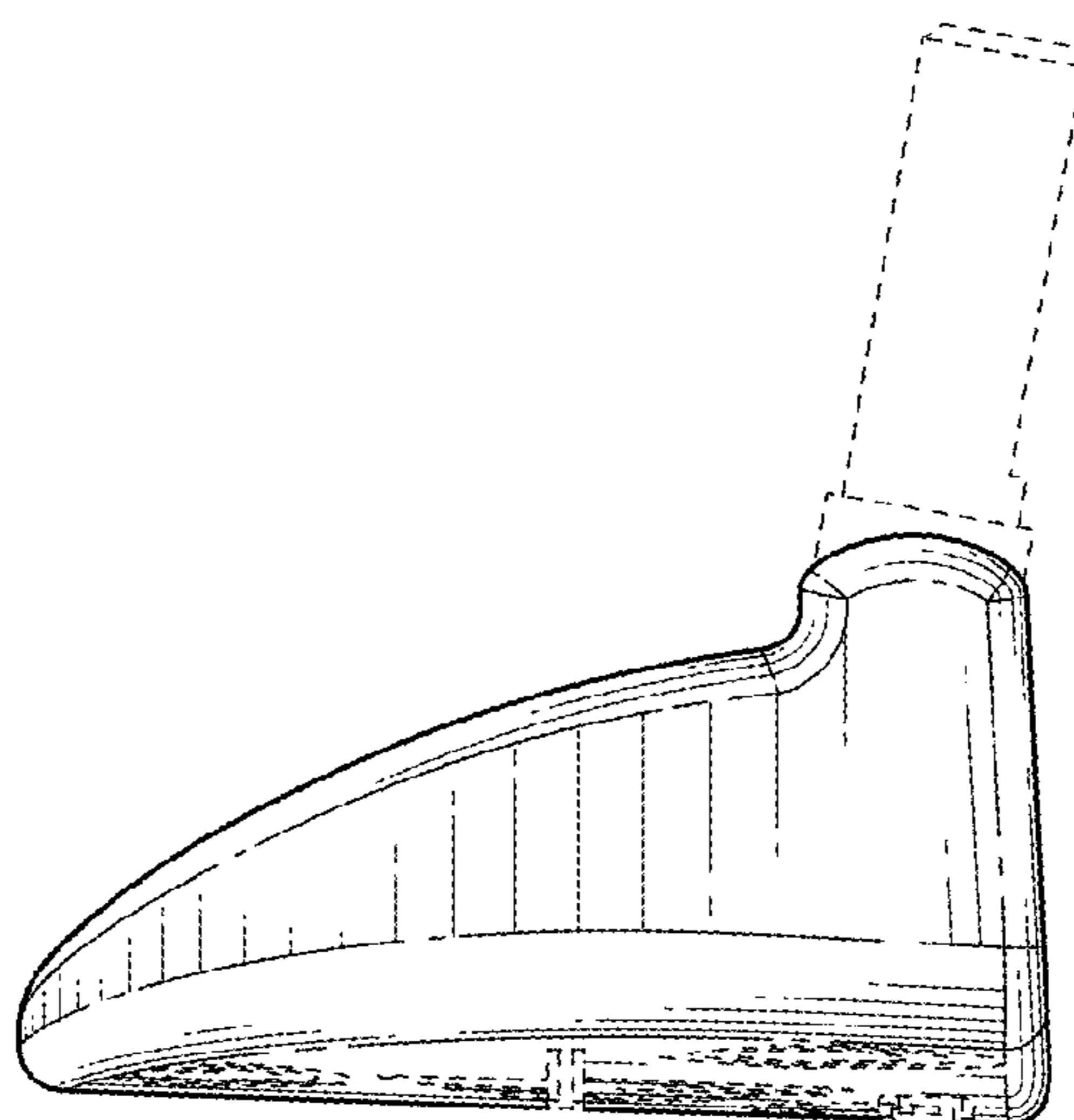


FIG. 5

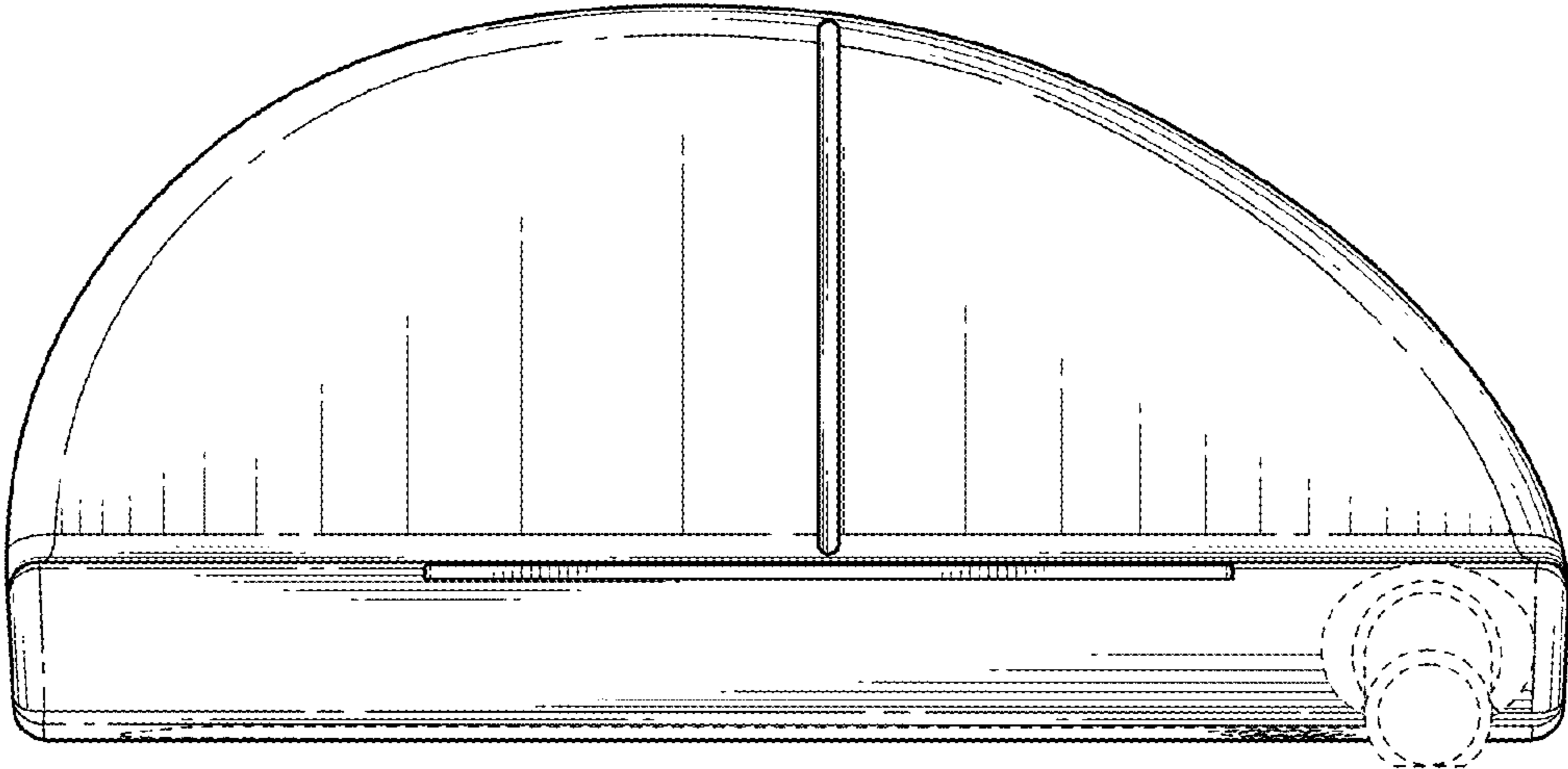


FIG. 6

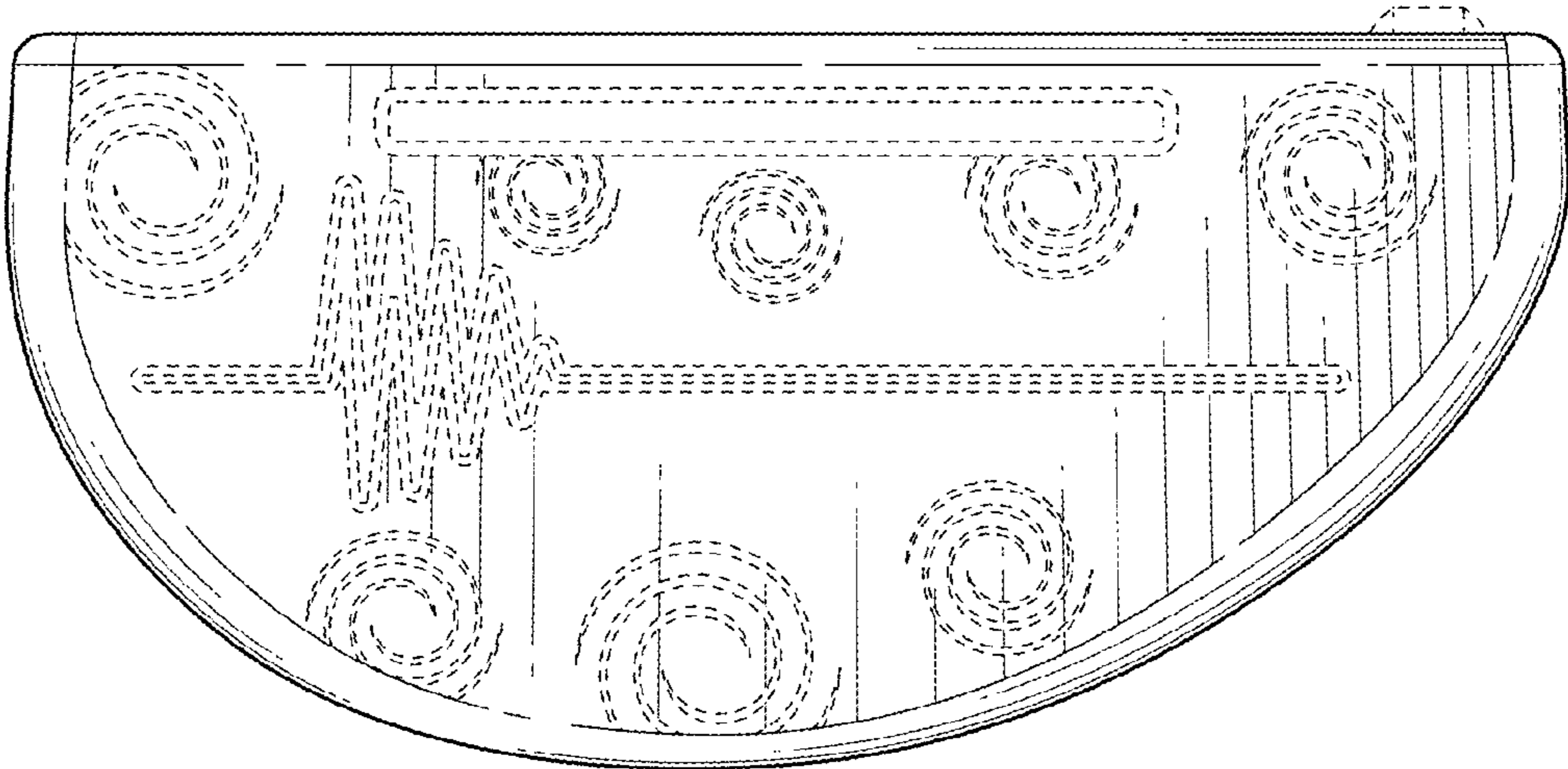


FIG. 7