



US00D759173S

(12) **United States Design Patent**  
**Rollinson**

(10) **Patent No.:** **US D759,173 S**  
(45) **Date of Patent:** **\*\* Jun. 14, 2016**

(54) **PUTTER HEAD**

(71) Applicant: **CALLAWAY GOLF COMPANY,**  
Carlsbad, CA (US)

(72) Inventor: **Augustin W. Rollinson,** Carlsbad, CA  
(US)

(73) Assignee: **Callaway Golf Company,** Carlsbad, CA  
(US)

(\*\*) Term: **15 Years**

(21) Appl. No.: **29/527,251**

(22) Filed: **May 18, 2015**

(51) **LOC (10) Cl.** ..... **21-02**

(52) **U.S. Cl.**  
USPC ..... **D21/743**

(58) **Field of Classification Search**  
USPC ..... D21/736-746, 759  
CPC ..... A63B 53/00; A63B 53/04; A63B 53/007;  
A63B 53/065; A63B 53/0487  
See application file for complete search history.

(56) **References Cited**

**U.S. PATENT DOCUMENTS**

D255,373 S *	6/1980	Solheim	.....	D21/743
D296,120 S *	6/1988	Brace	.....	D21/739
D396,083 S *	7/1998	Sheets	.....	D21/742
D399,911 S *	10/1998	Nicolette	.....	D21/736
D400,610 S *	11/1998	Cameron	.....	D21/742
D407,445 S *	3/1999	Rollinson	.....	D21/743
D428,457 S *	7/2000	Rollinson	.....	D21/743

D532,468 S *	11/2006	Hettinger	.....	D21/743
D590,463 S *	4/2009	Hettinger	.....	D21/743
D634,801 S *	3/2011	Rollinson	.....	D21/743
D635,625 S *	4/2011	Rollinson	.....	D21/743
D641,441 S *	7/2011	Hilton	.....	D21/743
D644,703 S *	9/2011	Serrano	.....	D21/743
D648,408 S *	11/2011	Teramoto	.....	D21/743
D691,681 S *	10/2013	Hilton	.....	D21/736
D720,024 S *	12/2014	Rollinson	.....	D21/736
D720,411 S *	12/2014	Rollinson	.....	D21/743
D720,412 S *	12/2014	Rollinson	.....	D21/743
2006/0223646 A1 *	10/2006	Rife	.....	A63B 53/0487 473/251

\* cited by examiner

*Primary Examiner* — Mitchell Siegel

(74) *Attorney, Agent, or Firm* — Rebecca Hanovice;  
Michael Catania; Sonia Lari

(57) **CLAIM**

The ornamental design for a putter head, as shown and described.

**DESCRIPTION**

FIG. 1 is a rear perspective view of a the putter head as claimed herein;

FIG. 2 is a front elevational view thereof;

FIG. 3 is a rear elevational view thereof;

FIG. 4 is a right side perspective view thereof;

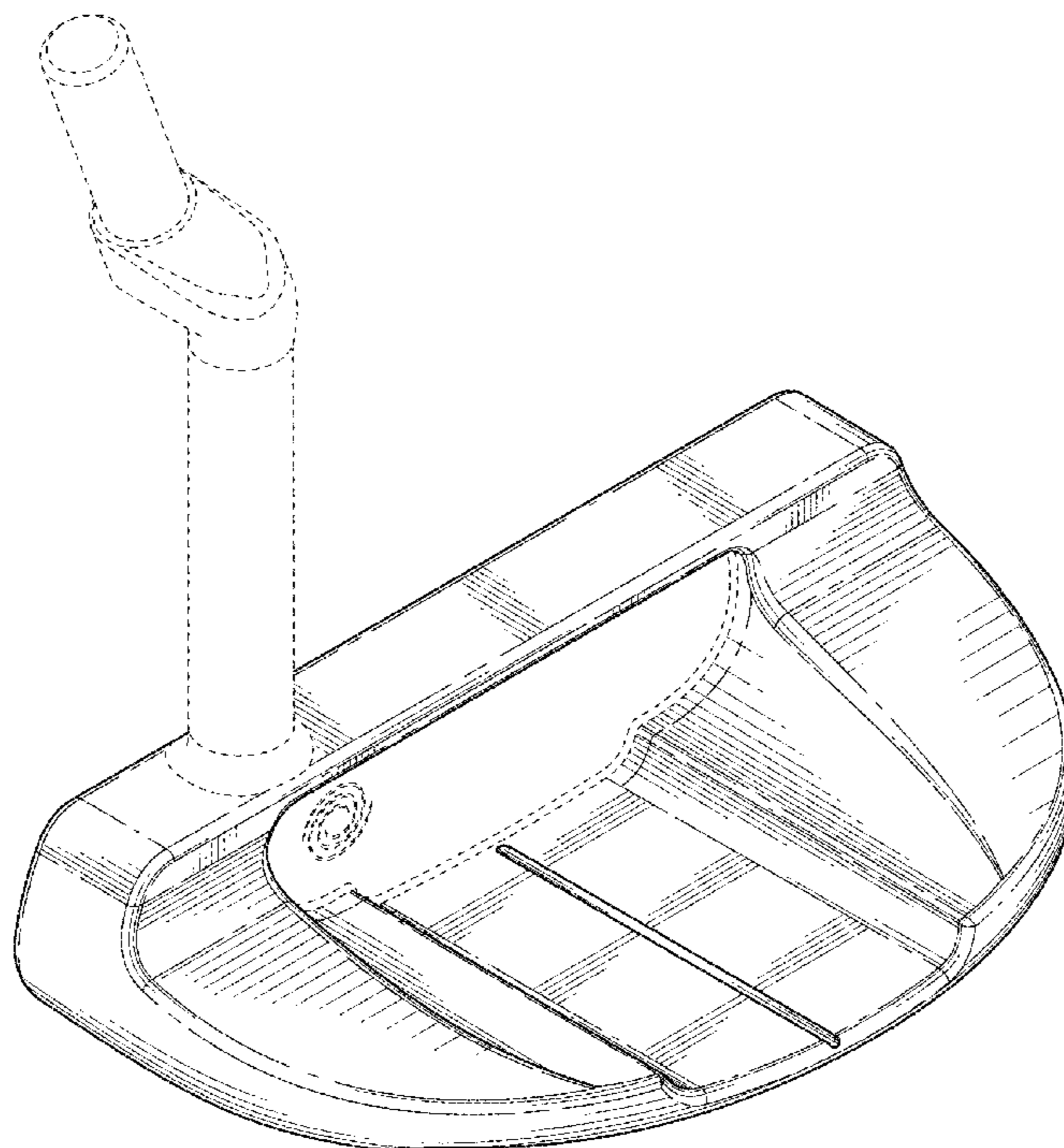
FIG. 5 is a left side perspective view thereof;

FIG. 6 is a top plan view thereof; and,

FIG. 7 is a bottom plan view thereof.

The broken lines are included for the purpose of illustration and form no part of the claimed design.

**1 Claim, 5 Drawing Sheets**



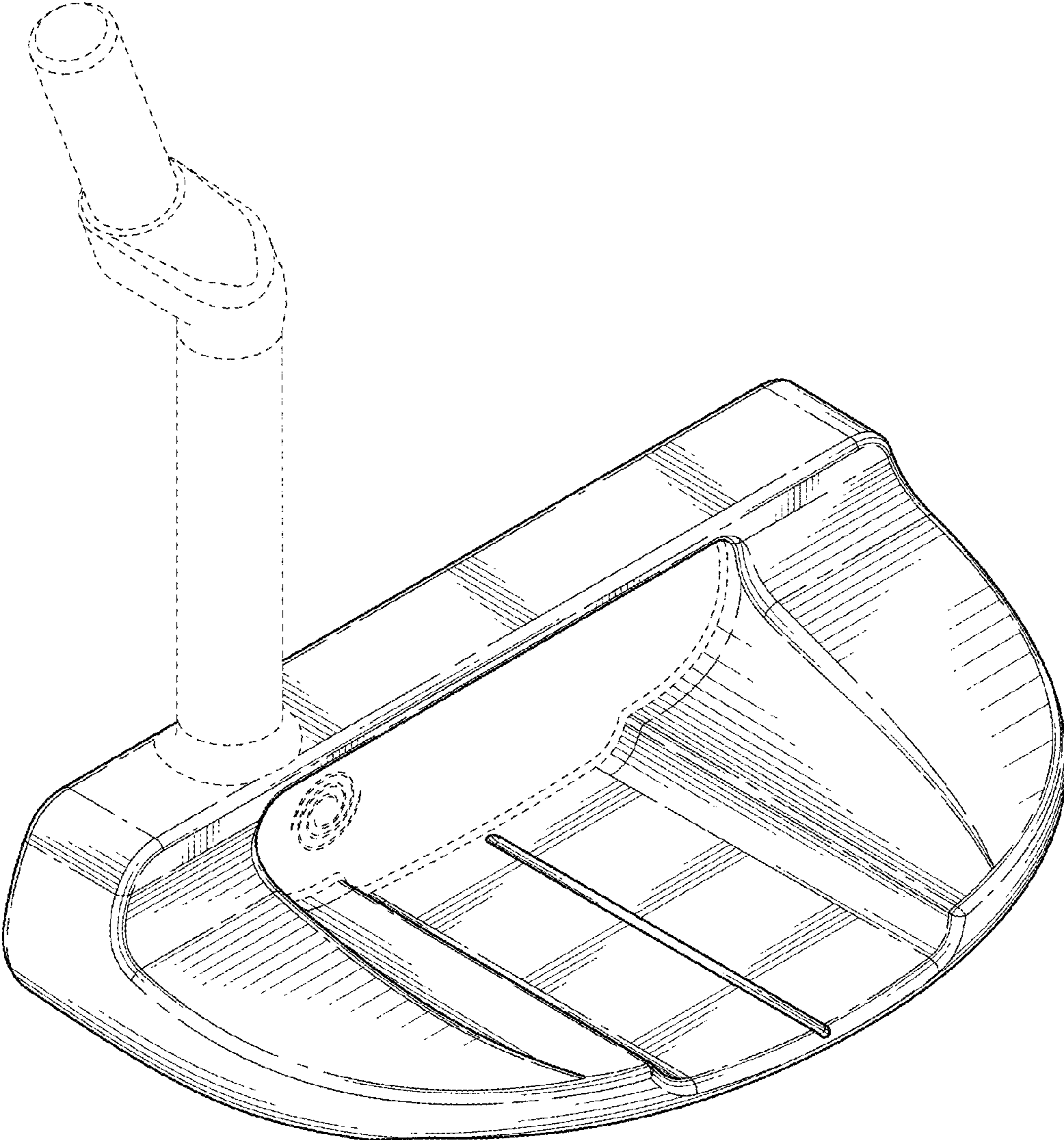


FIG. 1

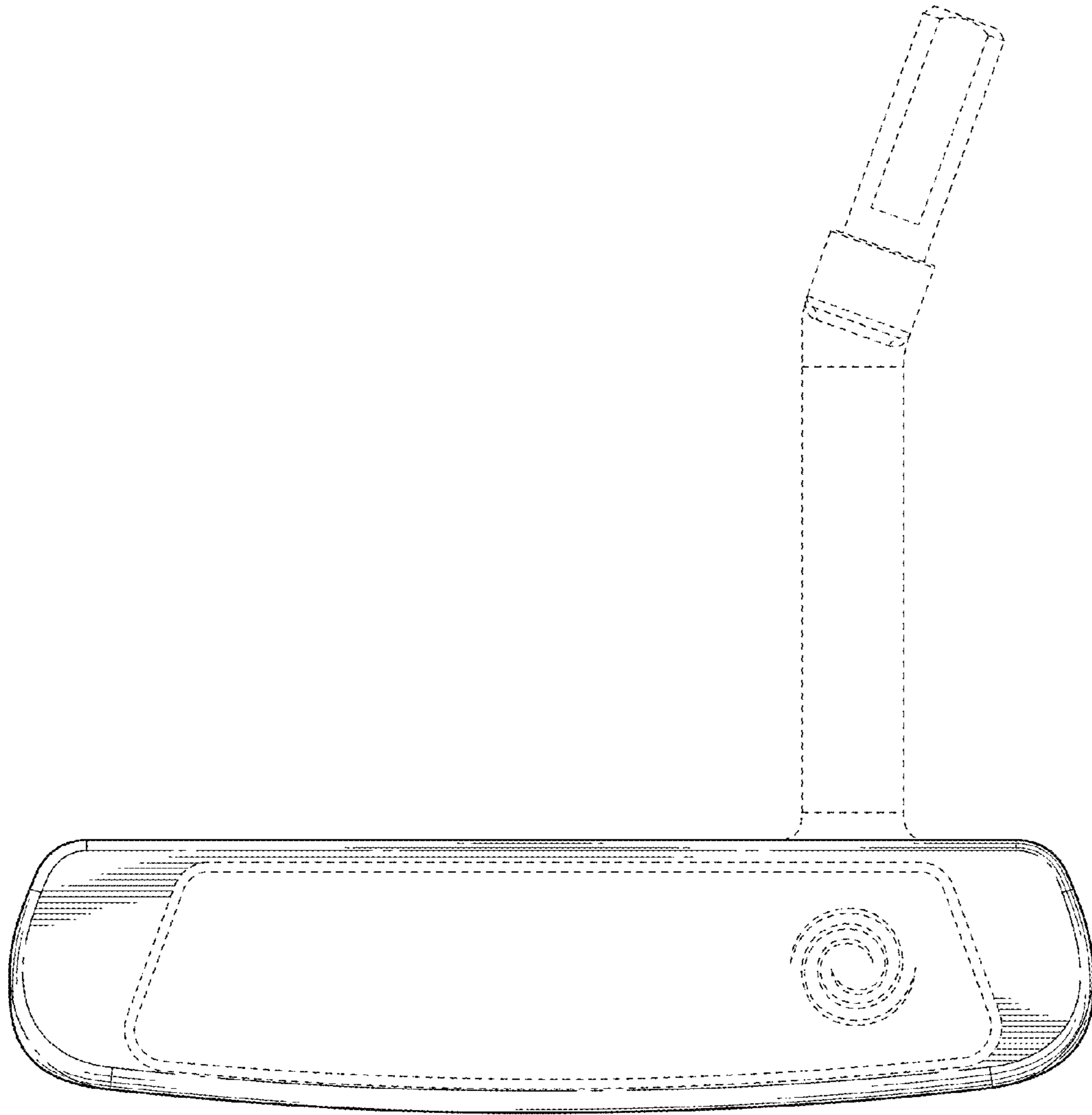


FIG. 2

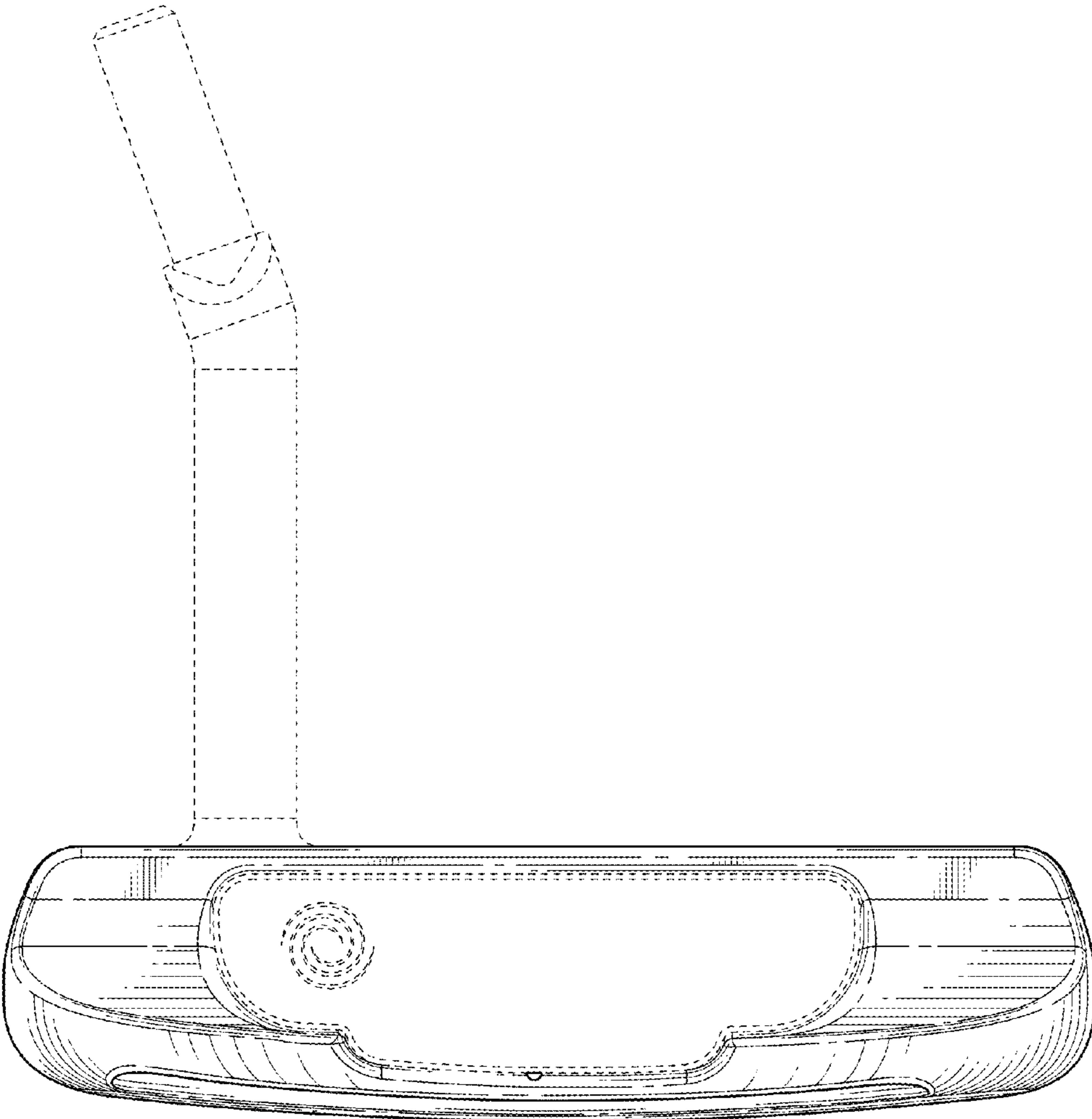


FIG. 3

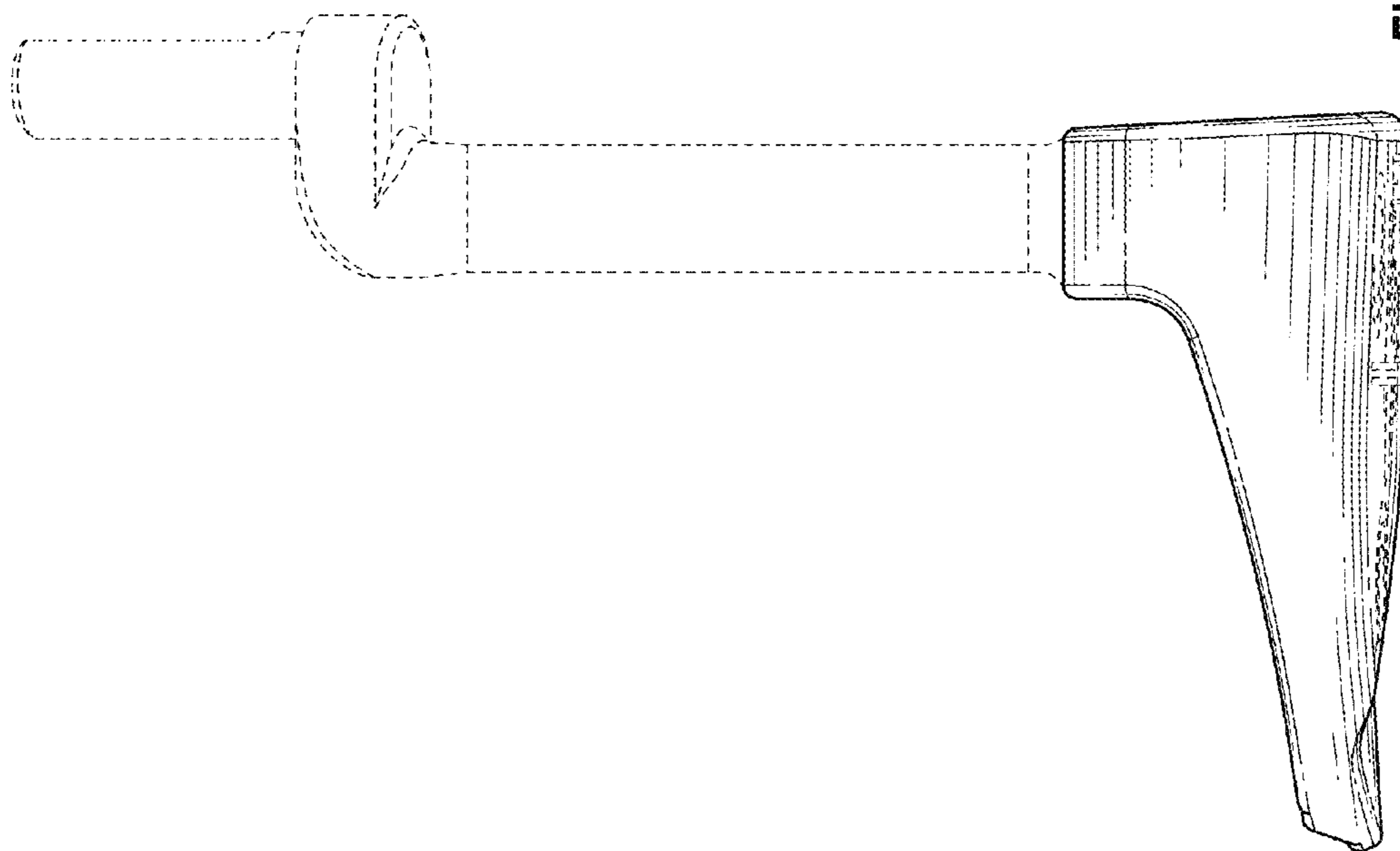


FIG. 5

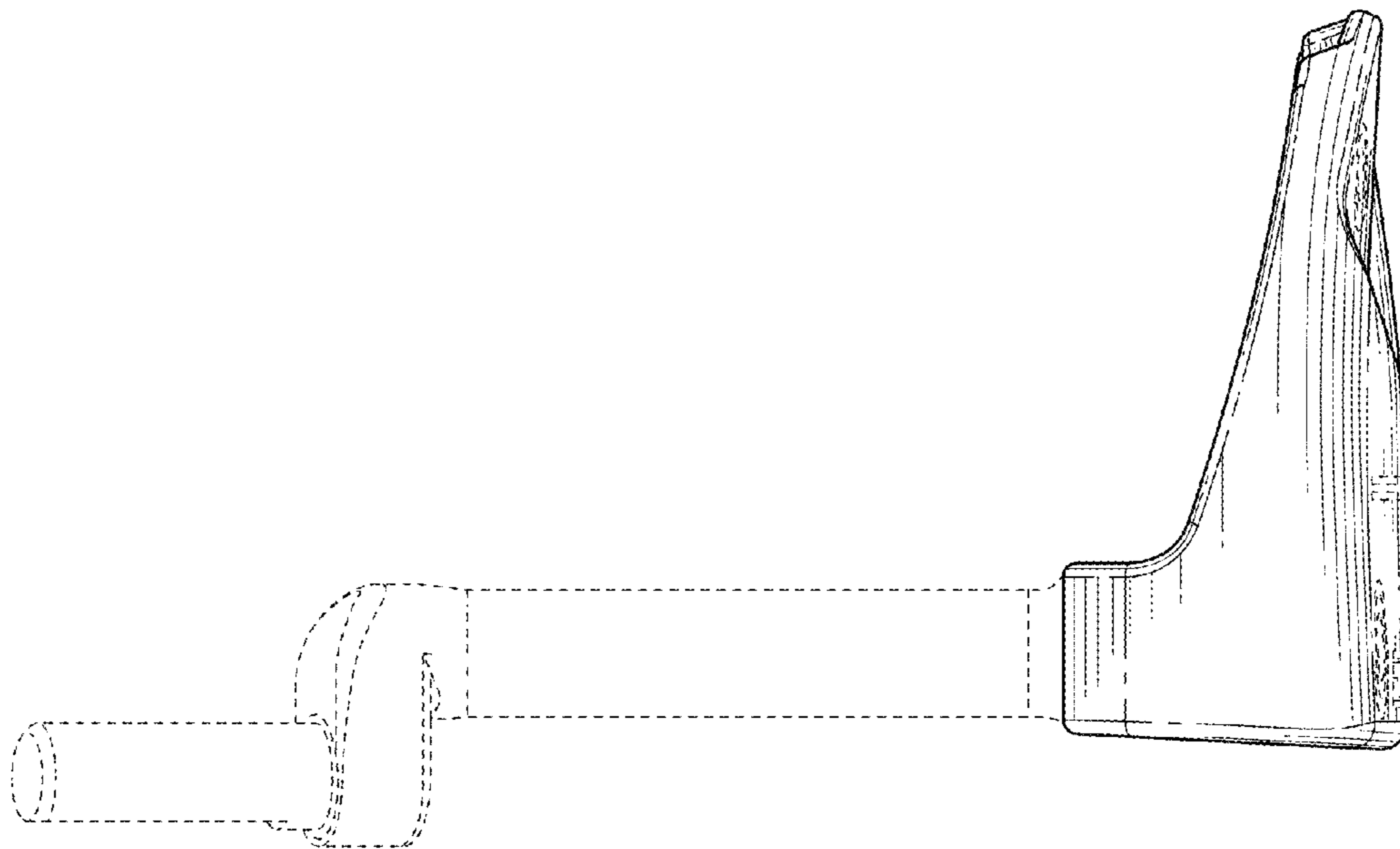


FIG. 4

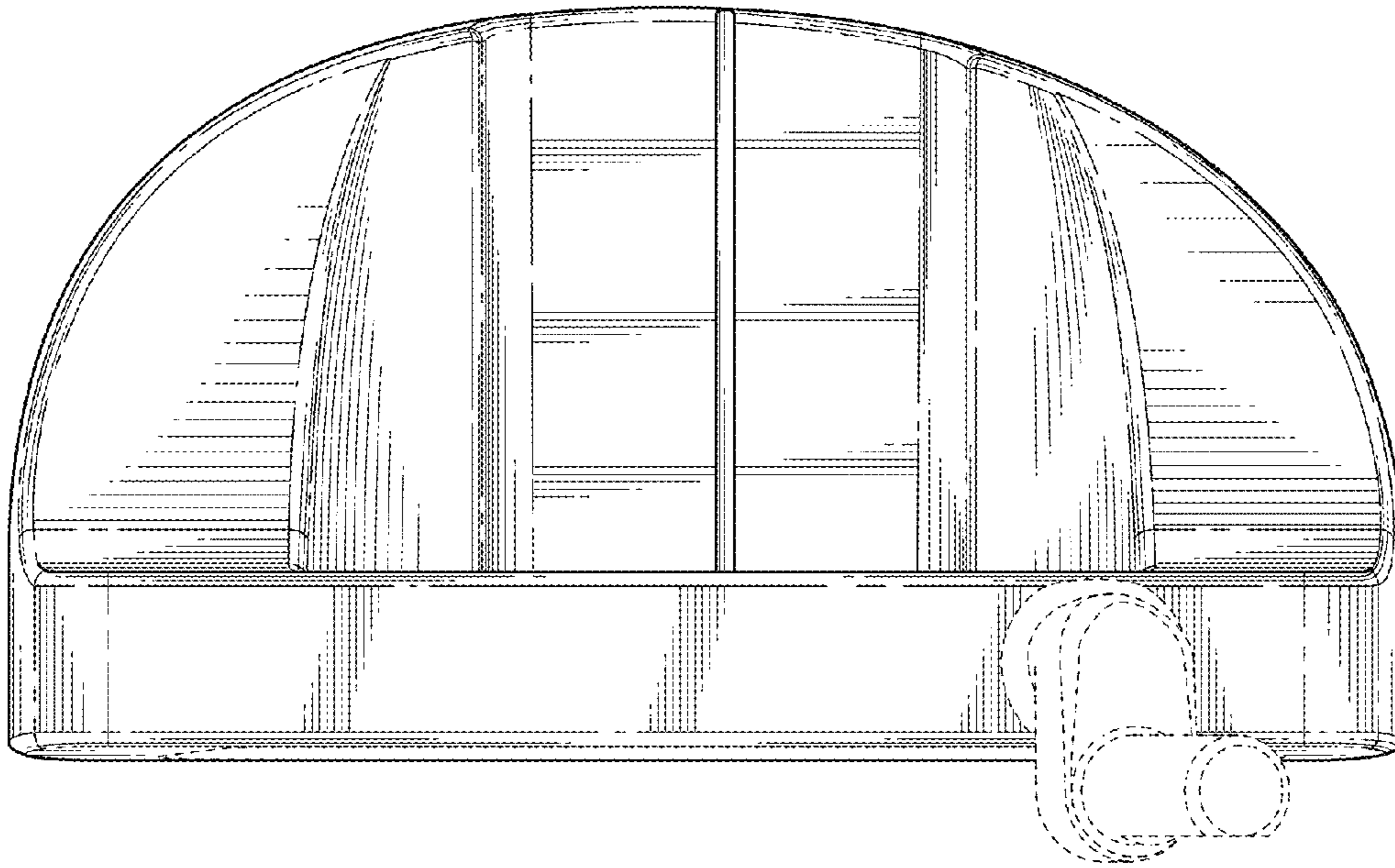


FIG. 6

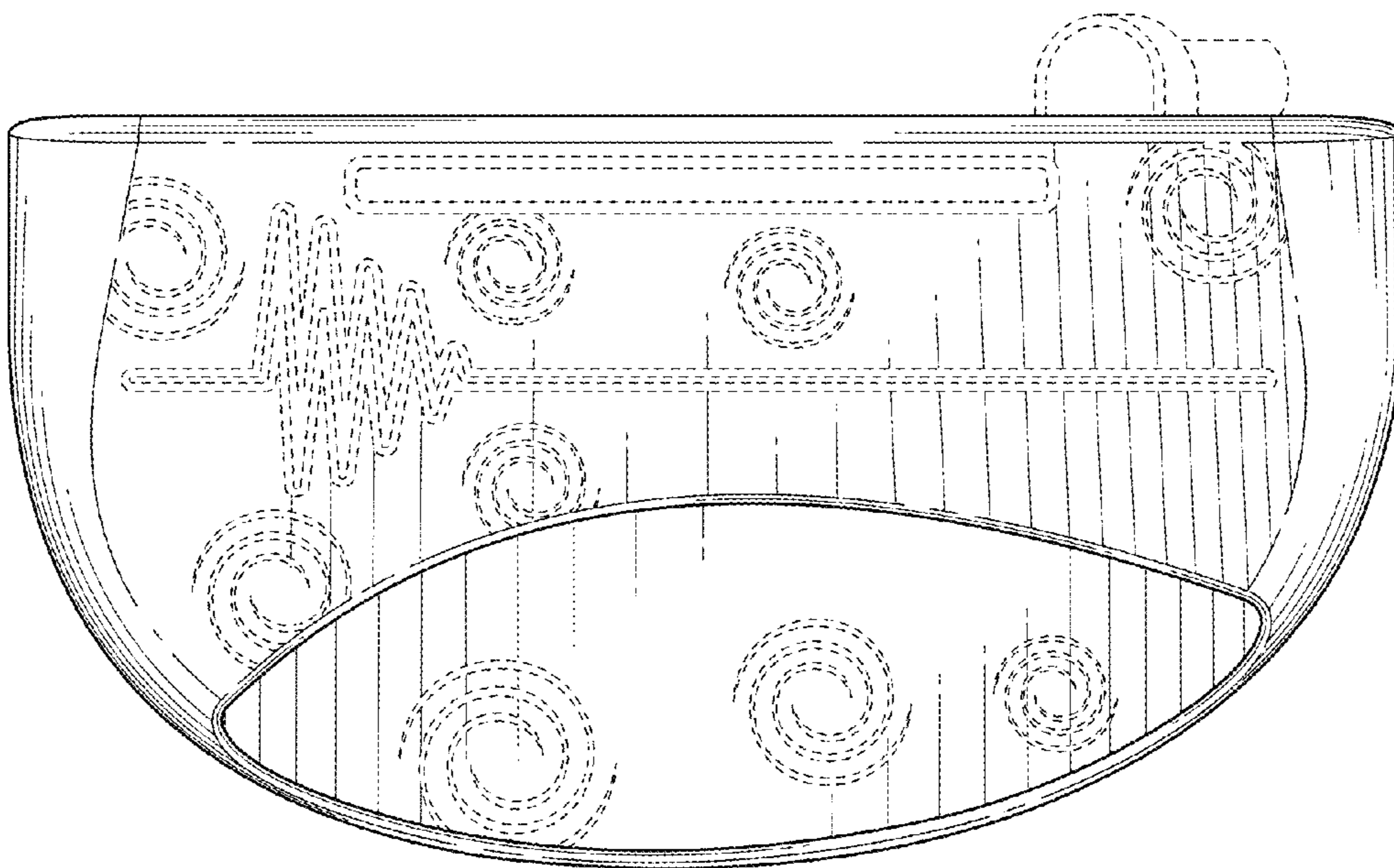


FIG. 7