



US00D759172S

(12) **United States Design Patent**
Rollinson et al.

(10) **Patent No.:** **US D759,172 S**
(45) **Date of Patent:** **** Jun. 14, 2016**

(54) **PUTTER HEAD**

(71) Applicant: **CALLAWAY GOLF COMPANY,**
Carlsbad, CA (US)

(72) Inventors: **Augustin W. Rollinson,** Carlsbad, CA
(US); **Gioacchino S. Glorioso,** Vista, CA
(US)

(73) Assignee: **CALLAWAY GOLF COMPANY,**
Carlsbad, CA (US)

(**) Term: **15 Years**

(21) Appl. No.: **29/527,176**

(22) Filed: **May 15, 2015**

(51) **LOC (10) Cl.** **21-02**

(52) **U.S. Cl.**
USPC **D21/743**

(58) **Field of Classification Search**
USPC D21/736-746, 759
CPC .. A63B 53/065; A63B 53/0487; A63B 53/00;
A63B 53/04; A63B 53/007
See application file for complete search history.

(56) **References Cited**

U.S. PATENT DOCUMENTS

D399,911 S * 10/1998 Nicolette D21/736
D400,610 S * 11/1998 Cameron D21/742

D402,343 S * 12/1998 Helmstetter D21/736
D402,722 S * 12/1998 Rollinson D21/742
D407,445 S * 3/1999 Rollinson D21/743
D604,782 S * 11/2009 Franklin D21/736
D624,978 S * 10/2010 Rollinson D21/743
D635,625 S * 4/2011 Rollinson D21/743
D641,441 S * 7/2011 Hilton D21/743
D644,703 S * 9/2011 Serrano D21/743

* cited by examiner

Primary Examiner — Mitchell Siegel

(74) *Attorney, Agent, or Firm* — Rebecca Hanovice;
Michael A. Catania; Sonia Lari

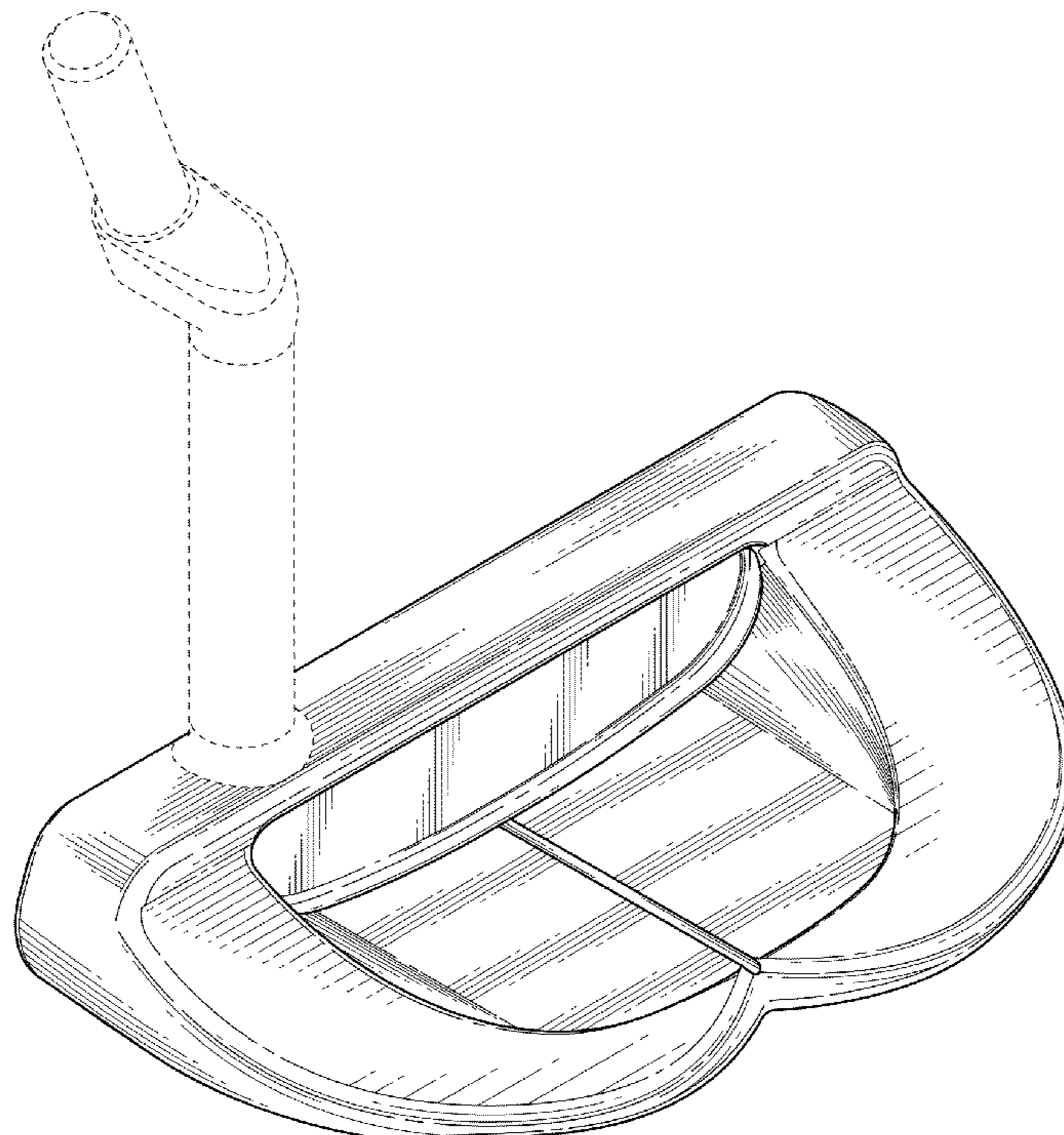
(57) **CLAIM**

The ornamental design for a putter head, as shown and described.

DESCRIPTION

FIG. 1 is a rear perspective view of a the putter head as claimed herein;
FIG. 2 is a front elevational view thereof;
FIG. 3 is a rear elevational view thereof;
FIG. 4 is a right side elevational view thereof;
FIG. 5 is a left side elevational view thereof;
FIG. 6 is a top plan view thereof; and,
FIG. 7 is a bottom plan view thereof.
The broken lines are included for the purpose of illustration and form no part of the claimed design.

1 Claim, 6 Drawing Sheets



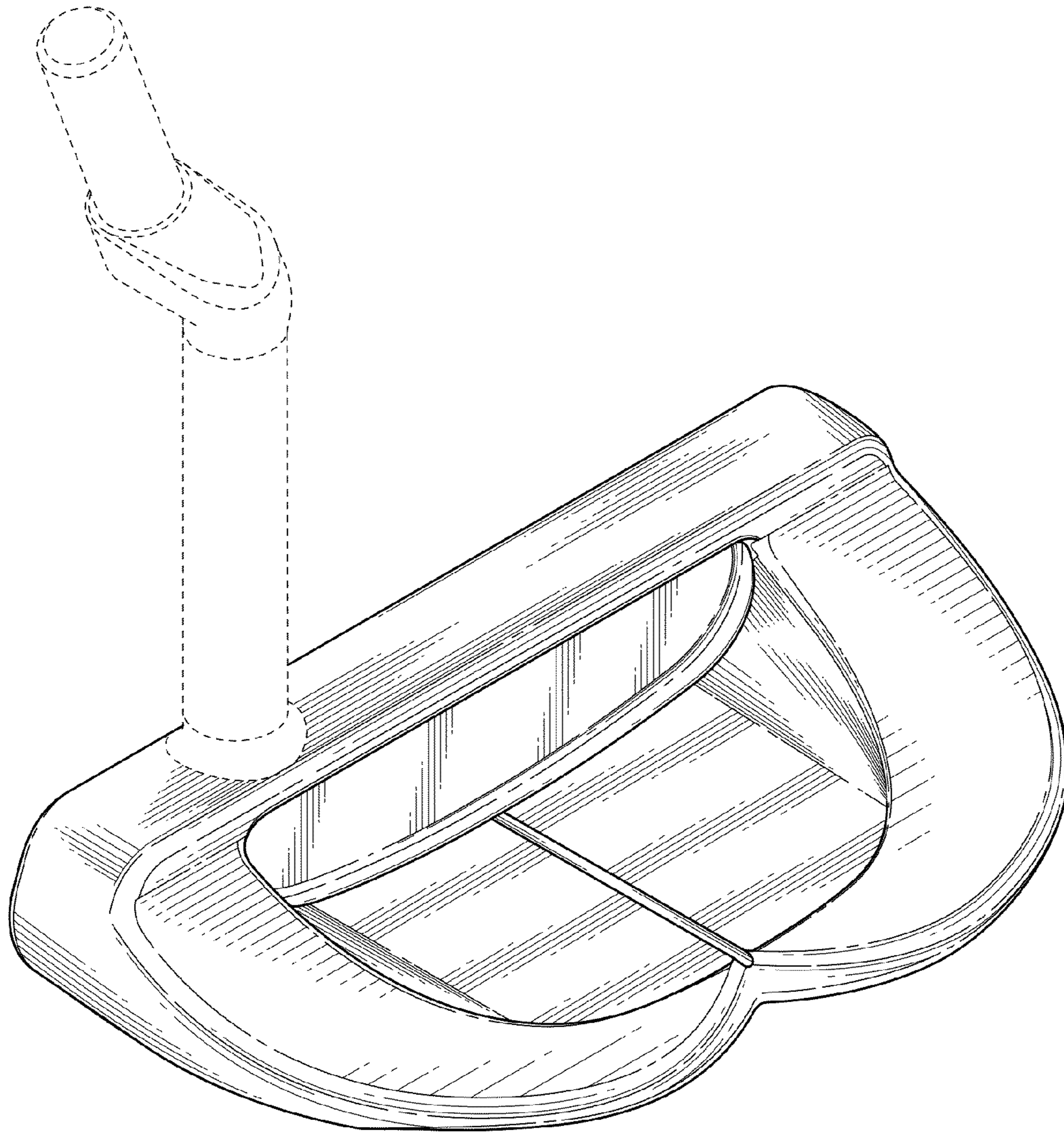


FIG. 1

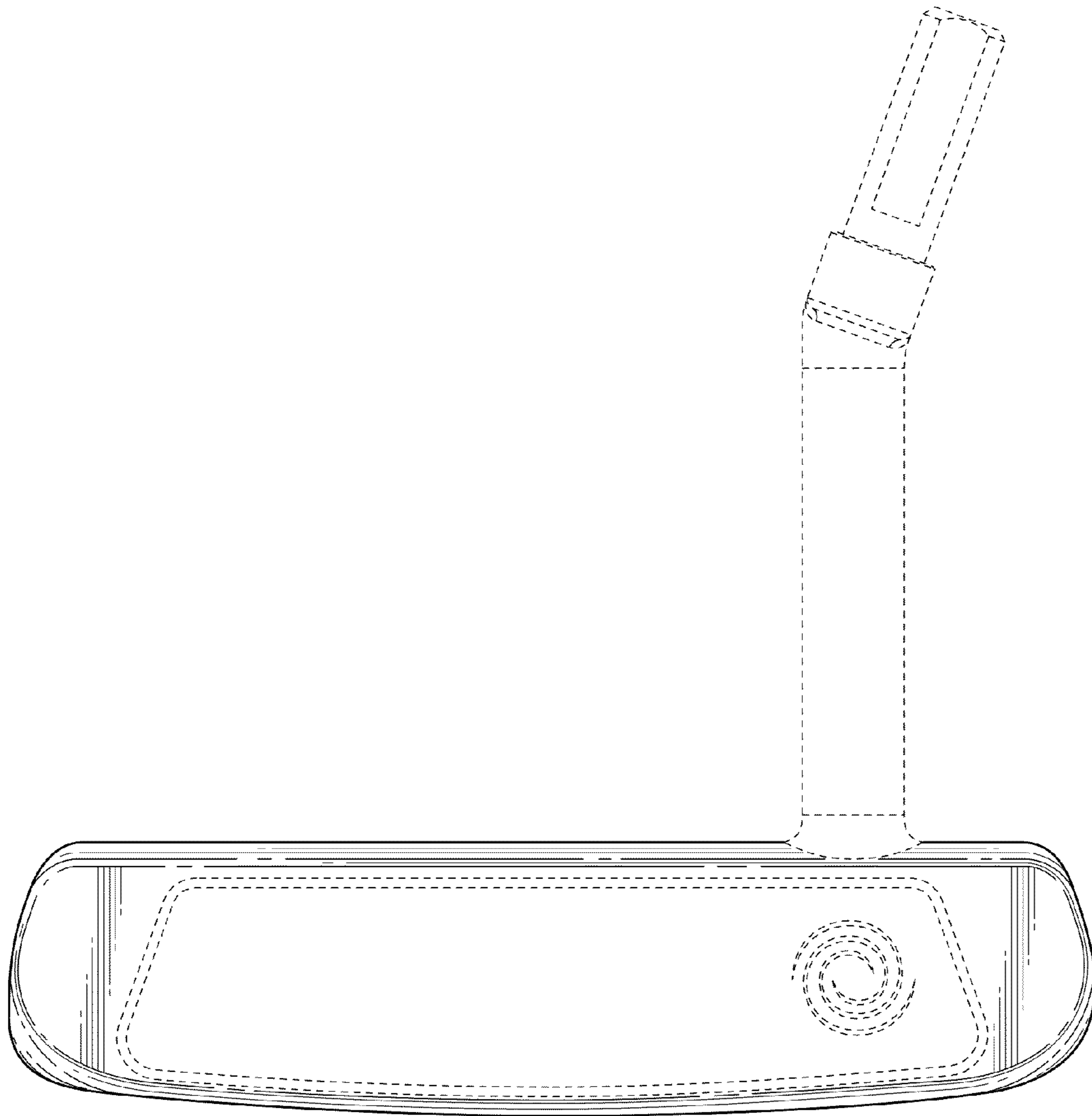


FIG. 2

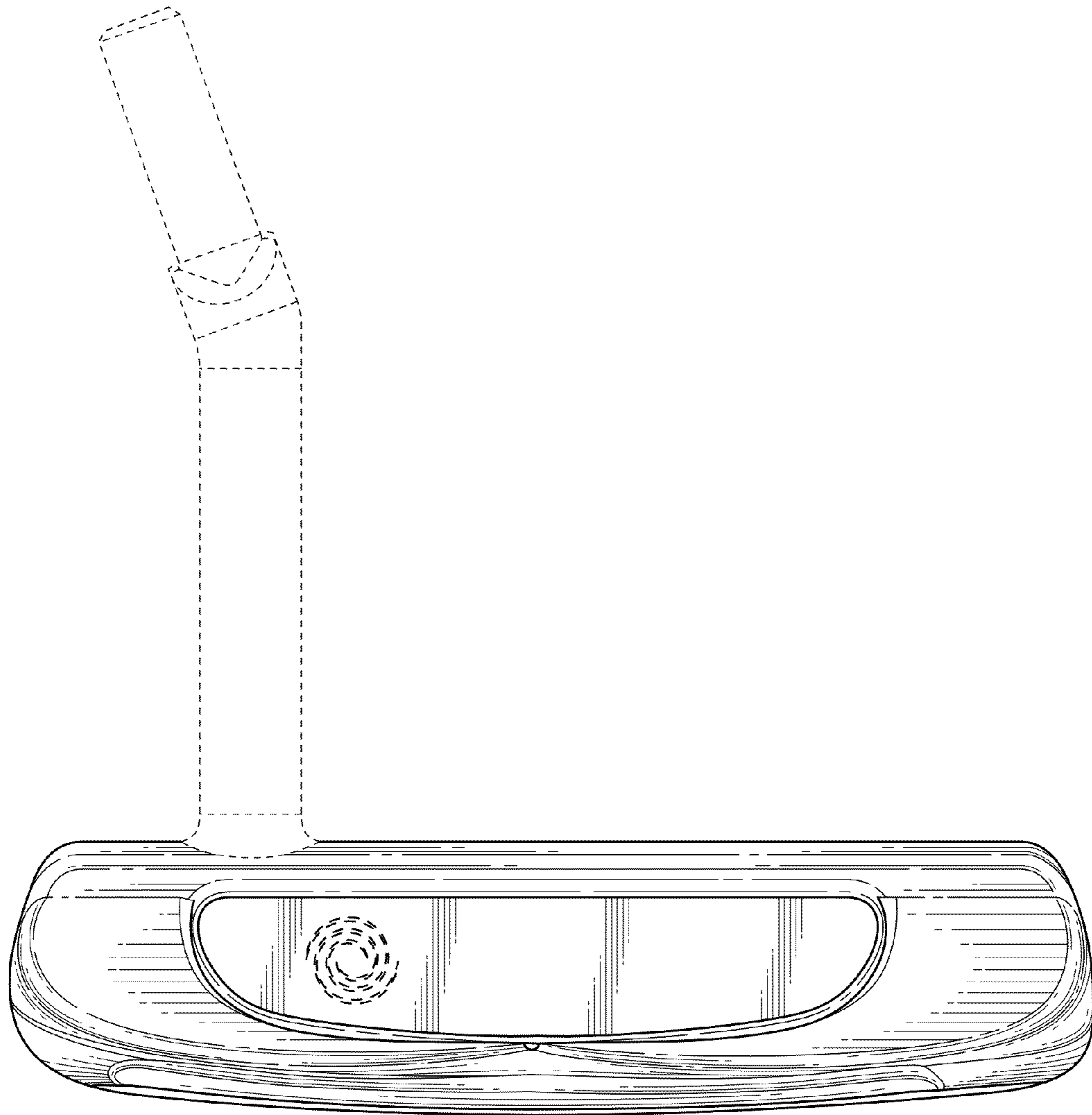


FIG. 3

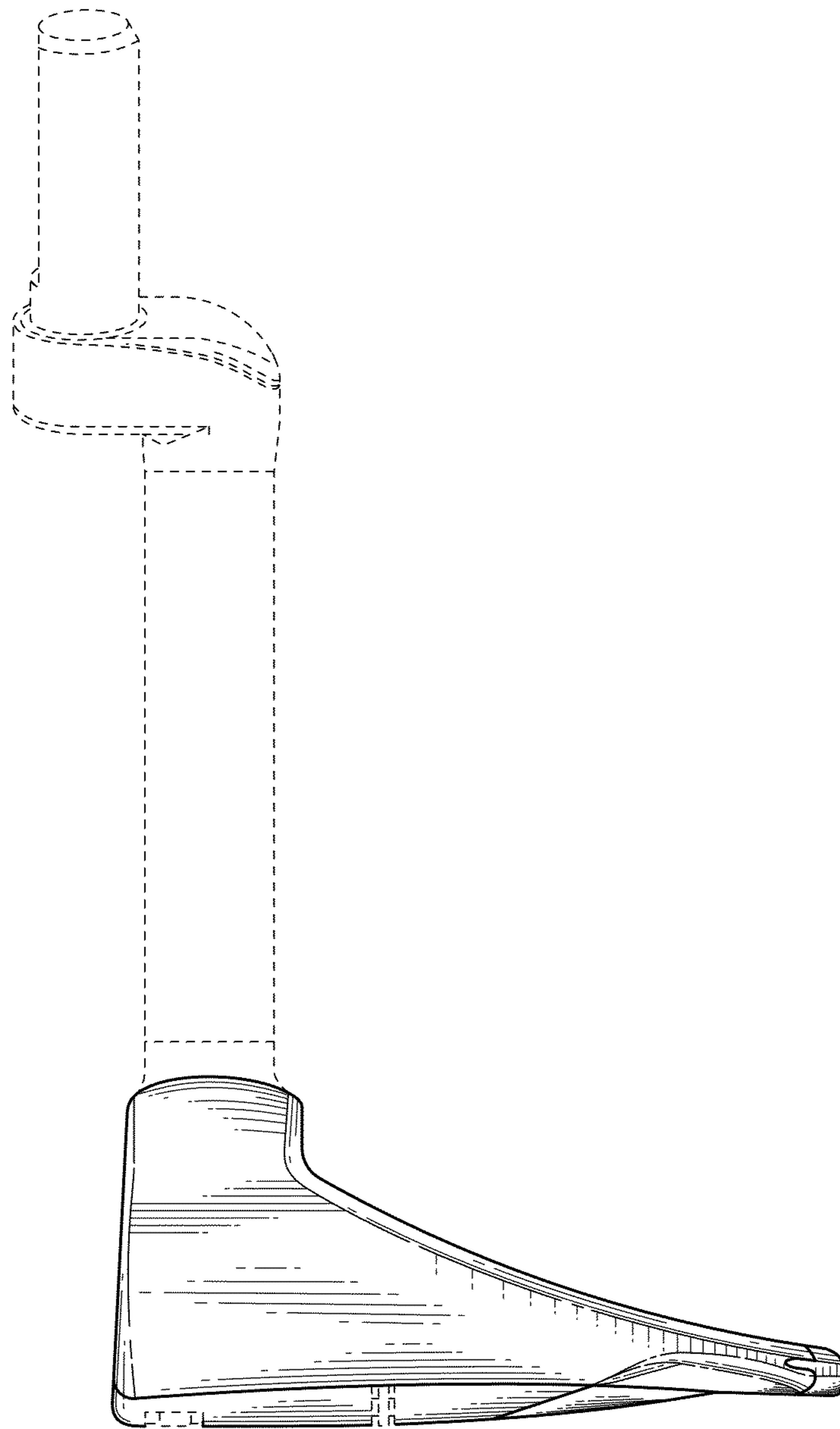


FIG. 4

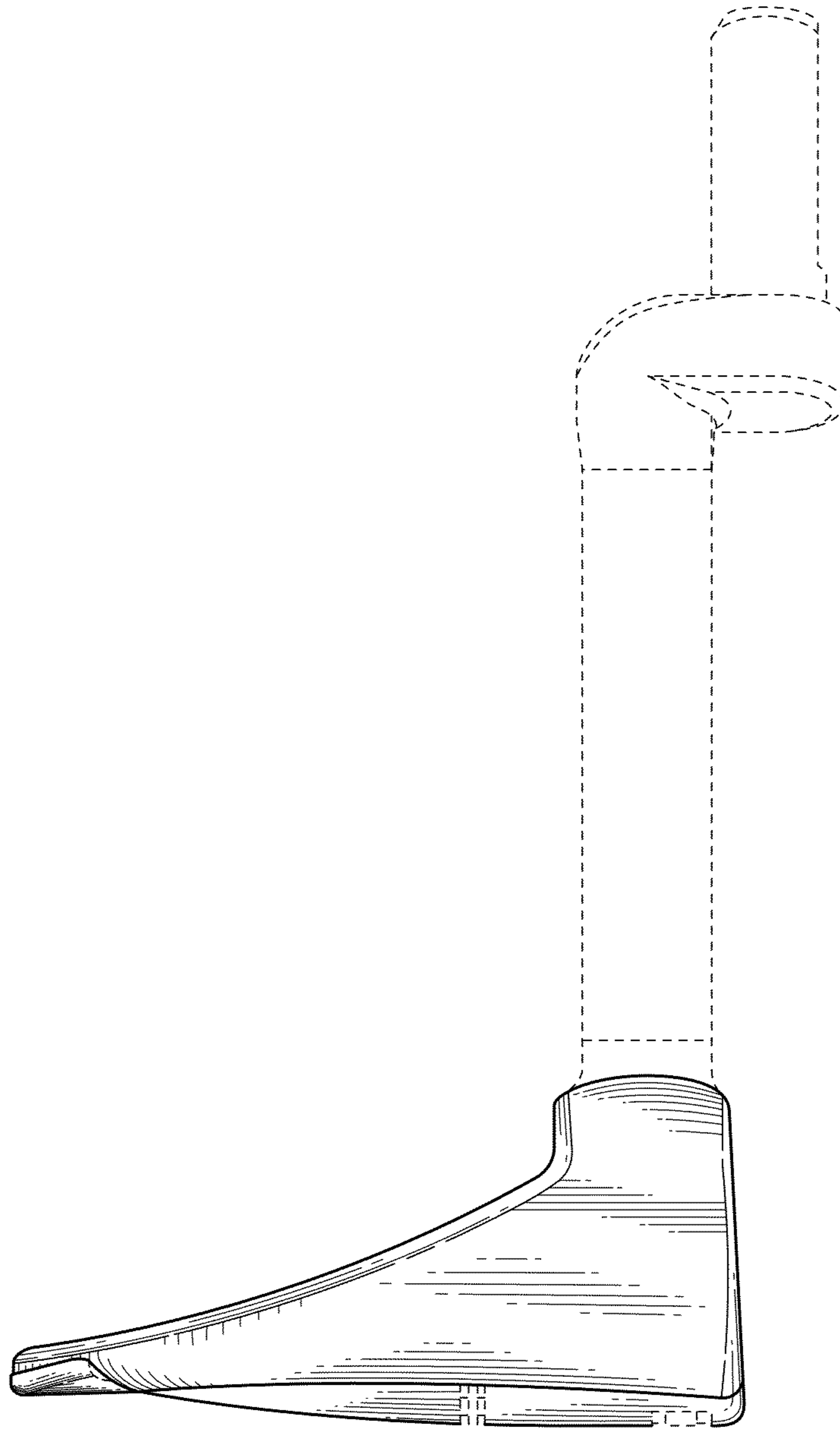


FIG. 5

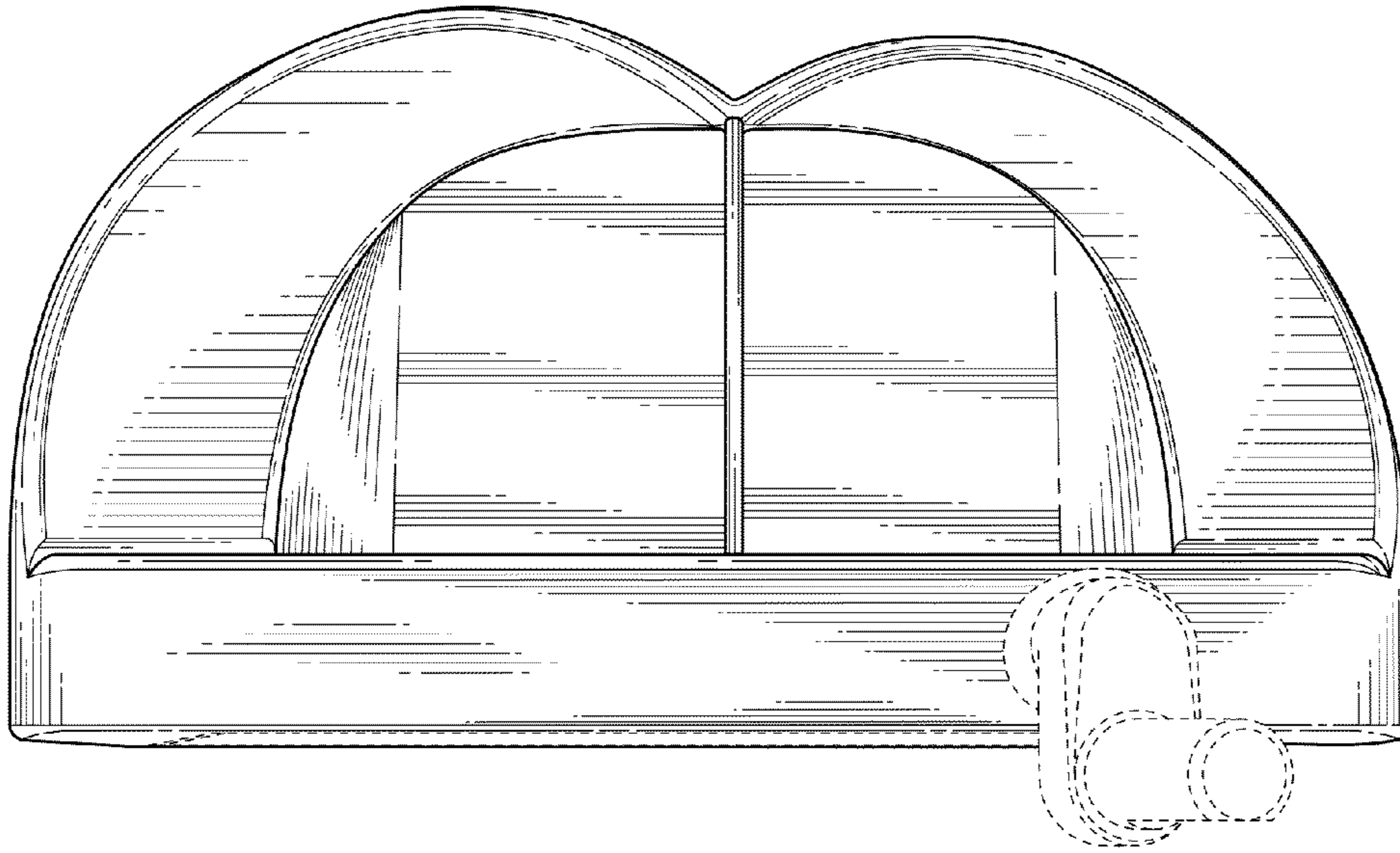


FIG. 6

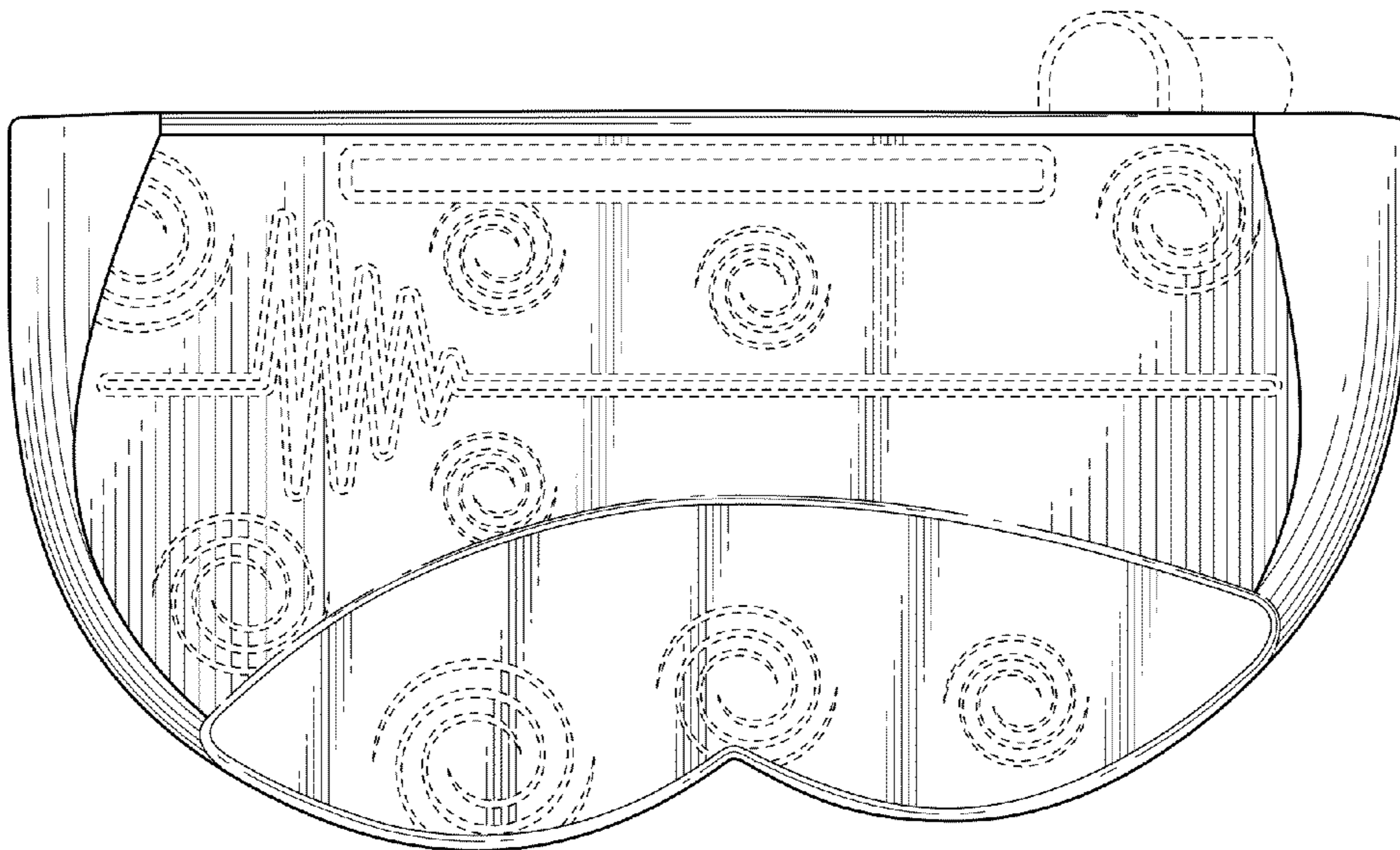


FIG. 7