

US00D759171S

(12) **United States Design Patent**
Rollinson

(10) **Patent No.:** **US D759,171 S**
(45) **Date of Patent:** **** Jun. 14, 2016**

(54) **PUTTER HEAD**

(71) Applicant: **CALLAWAY GOLF COMPANY,**
Carlsbad, CA (US)

(72) Inventor: **Augustin W. Rollinson,** Carlsbad, CA
(US)

(73) Assignee: **Callaway Golf Company,** Carlsbad, CA
(US)

(**) Term: **15 Years**

(21) Appl. No.: **29/527,175**

(22) Filed: **May 15, 2015**

(51) **LOC (10) Cl.** **21-02**

(52) **U.S. Cl.**
USPC **D21/743**

(58) **Field of Classification Search**
USPC D21/736-746, 759
CPC .. A63B 53/065; A63B 53/0487; A63B 53/00;
A63B 53/04; A63B 53/007
See application file for complete search history.

(56) **References Cited**

U.S. PATENT DOCUMENTS

D315,386 S * 3/1991 Alonso D21/741
D455,467 S * 4/2002 Shenoha D21/736
D538,865 S * 3/2007 Cameron D21/736

D559,930 S * 1/2008 Cameron D21/746
D585,511 S * 1/2009 Cameron D21/743
D620,993 S * 8/2010 Laub D21/746
D623,251 S * 9/2010 Rollinson D21/744
D629,475 S * 12/2010 Rollinson D21/736
D730,463 S * 5/2015 Dolezel D21/742
2002/0123393 A1* 9/2002 Tang A63B 53/04
473/340

* cited by examiner

Primary Examiner — Mitchell Siegel

(74) *Attorney, Agent, or Firm* — Rebecca Hanovice;
Michael Catania; Sonia Lari

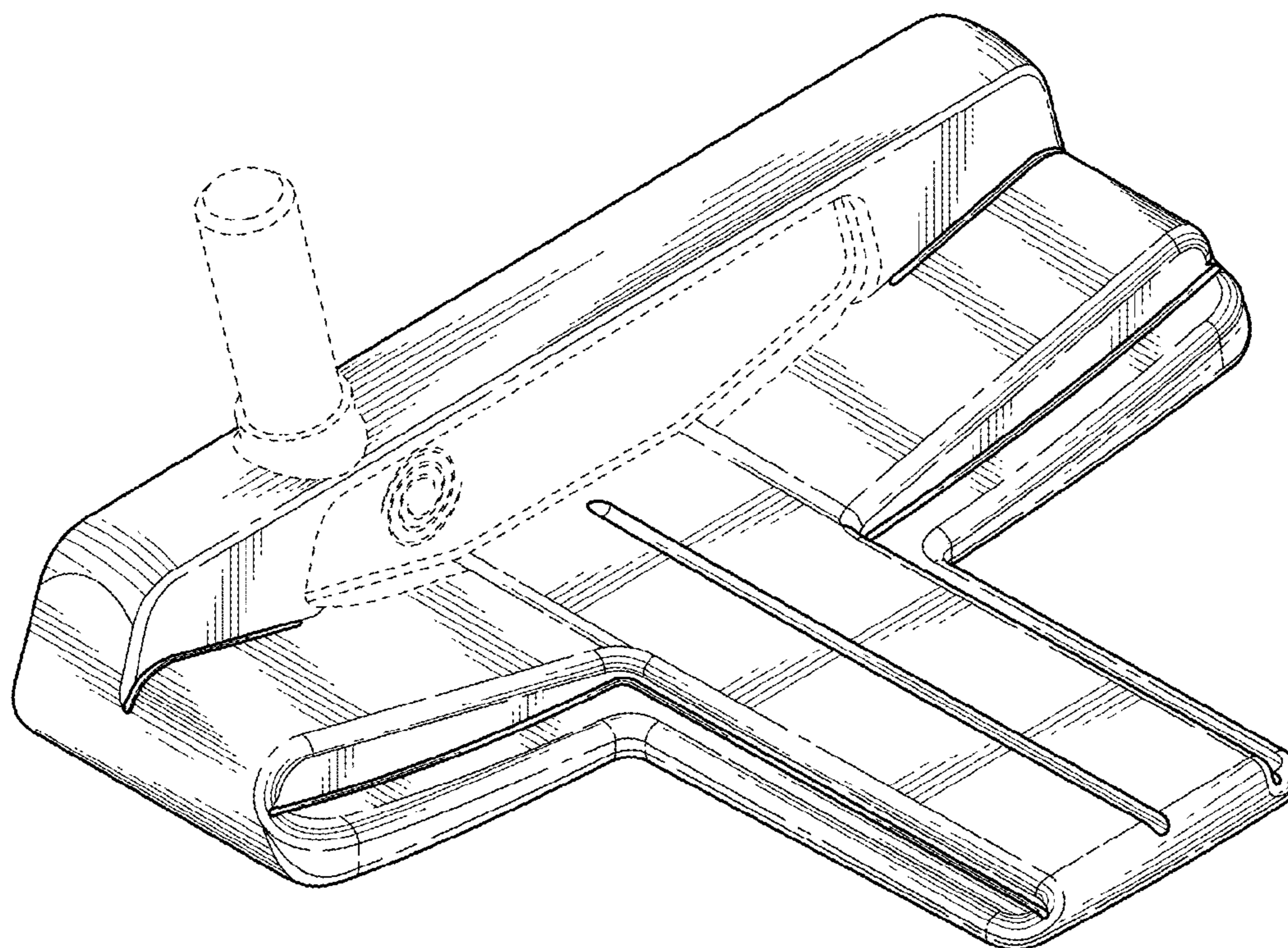
(57) **CLAIM**

The ornamental design for a putter head, as shown and described.

DESCRIPTION

FIG. 1 is a rear perspective view of a the putter head as claimed herein;
FIG. 2 is a front elevational view thereof;
FIG. 3 is a rear elevational view thereof;
FIG. 4 is a right side perspective view thereof;
FIG. 5 is a left side perspective view thereof;
FIG. 6 is a top plan view thereof; and,
FIG. 7 is a bottom plan view thereof.
The broken lines are included for the purpose of illustration and form no part of the claimed design.

1 Claim, 4 Drawing Sheets



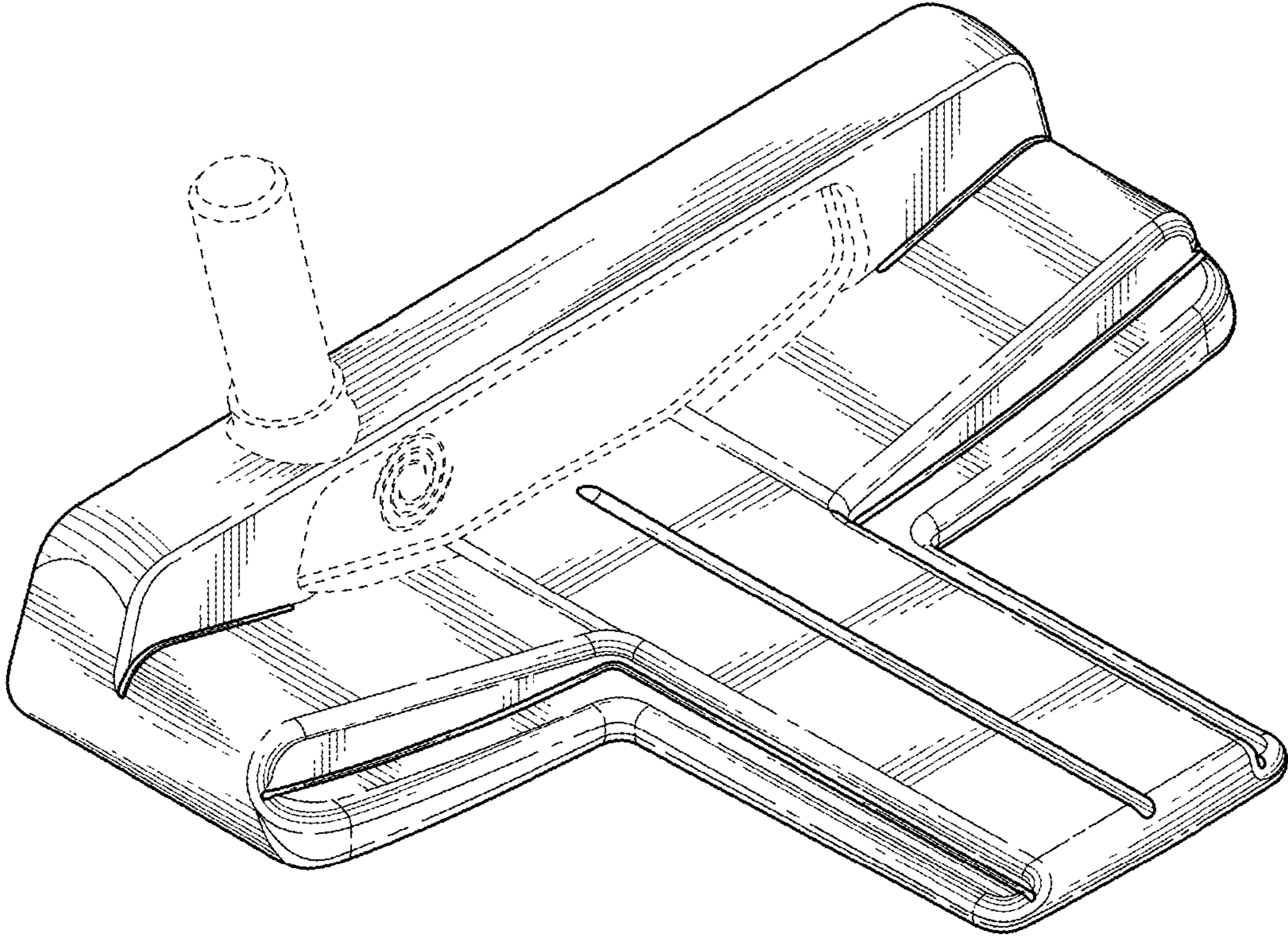


FIG. 1

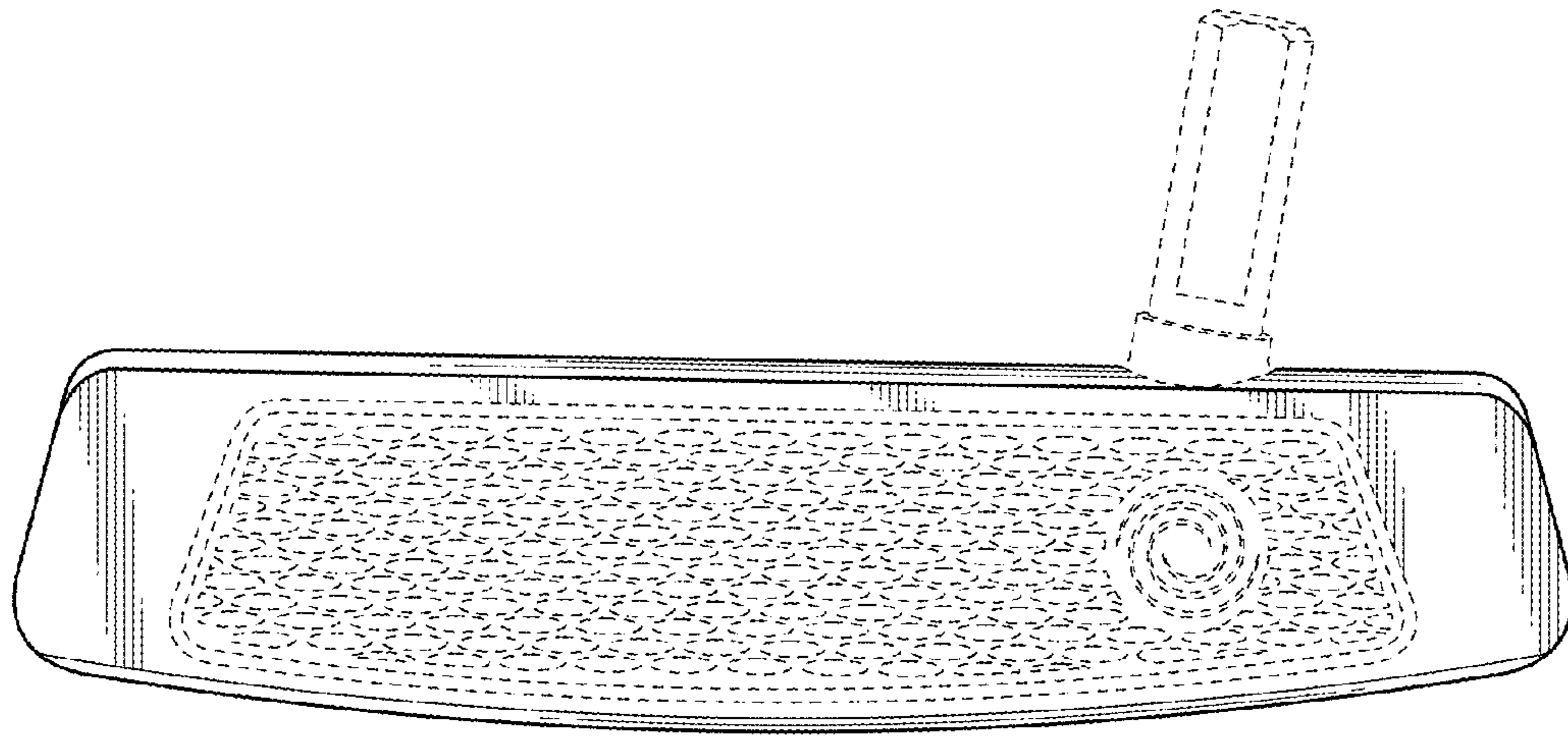


FIG. 2

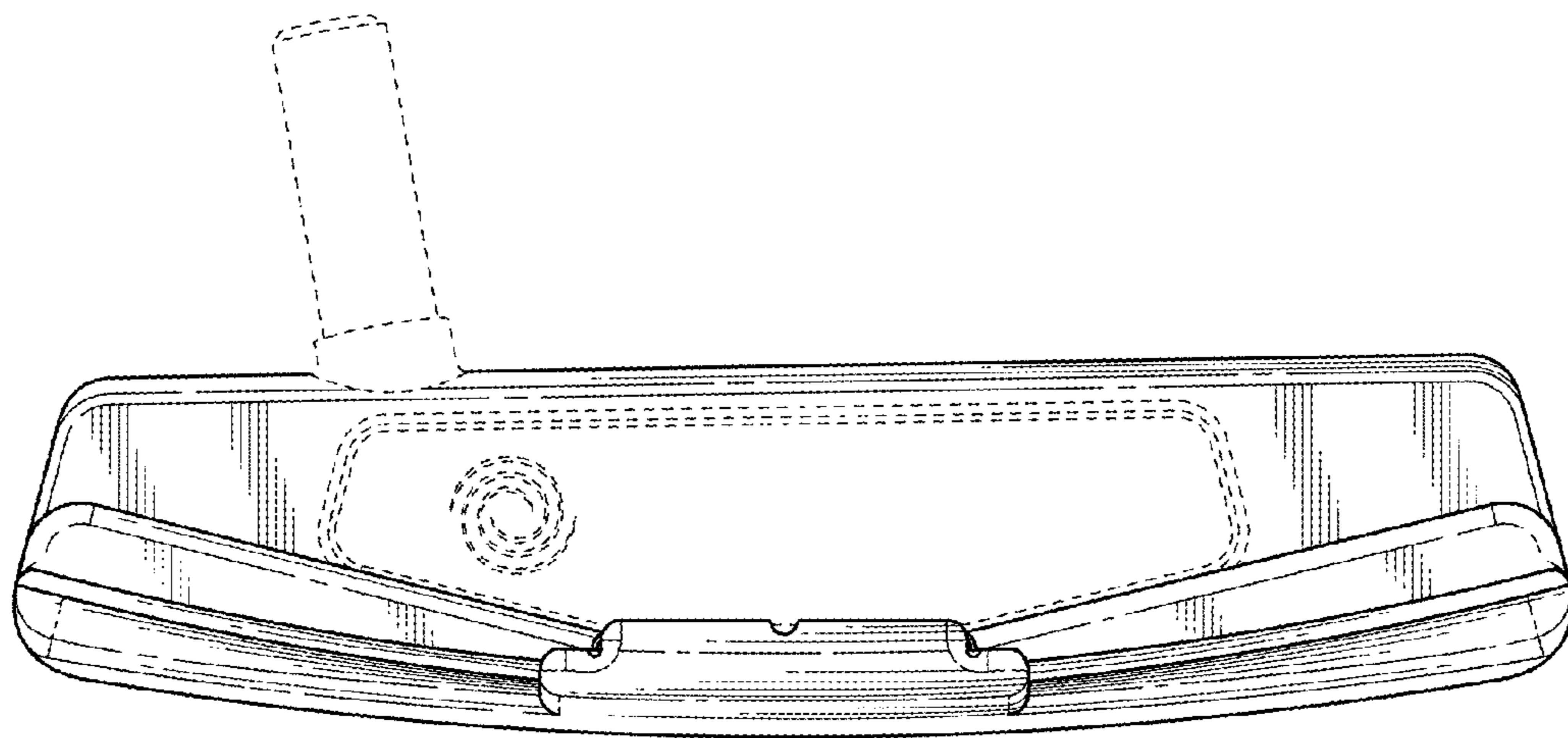


FIG. 3

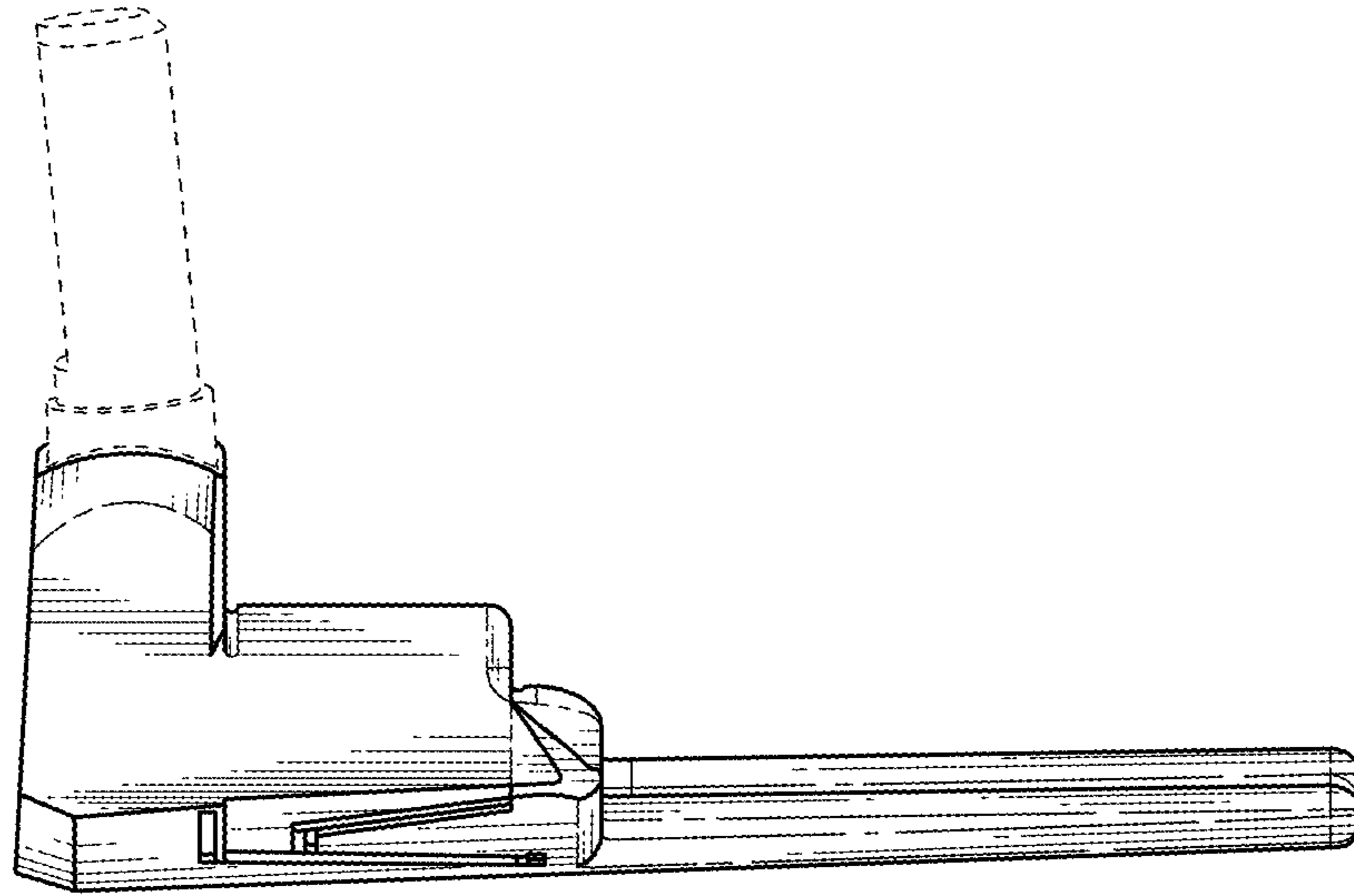


FIG. 4

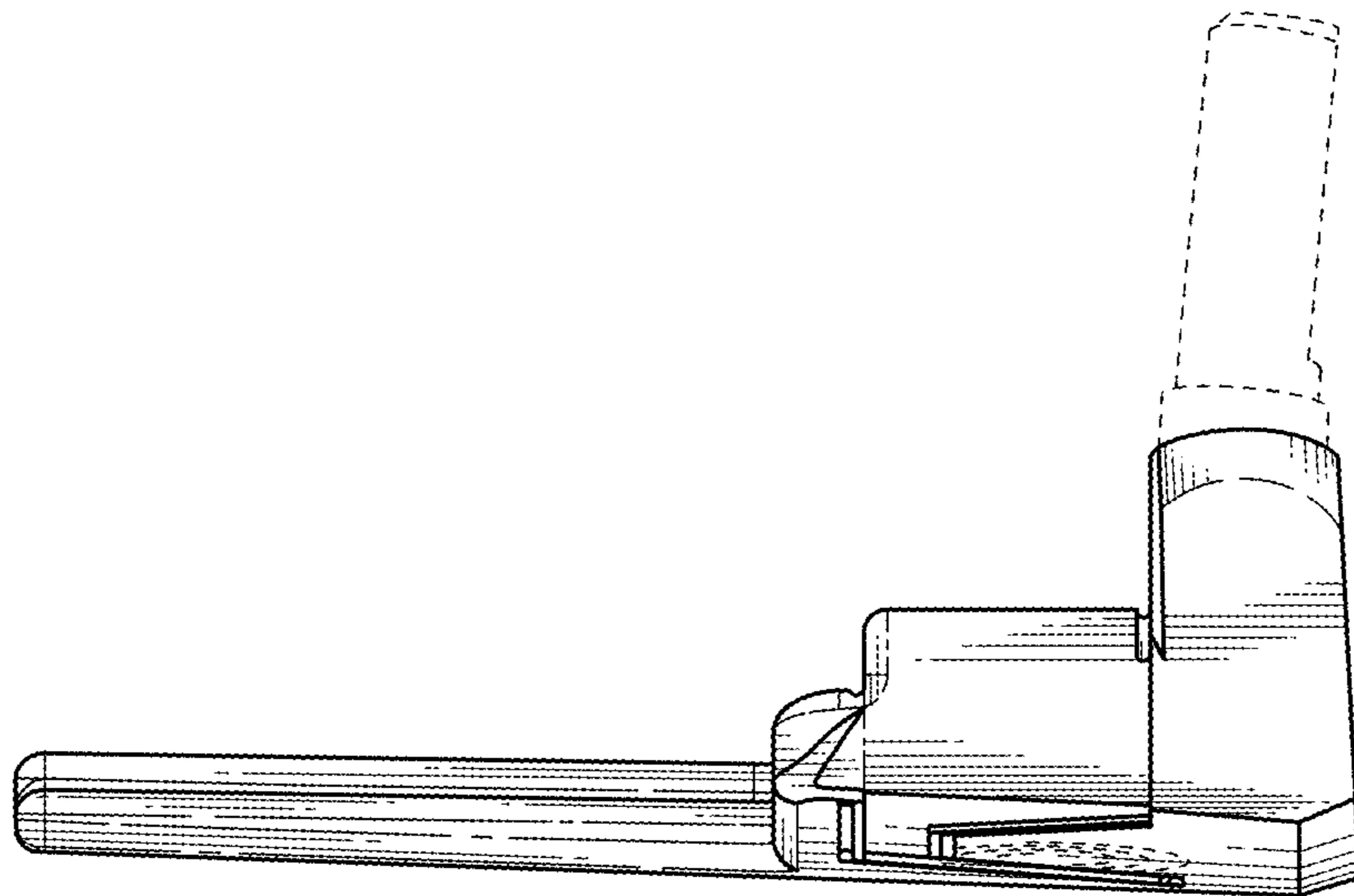


FIG. 5

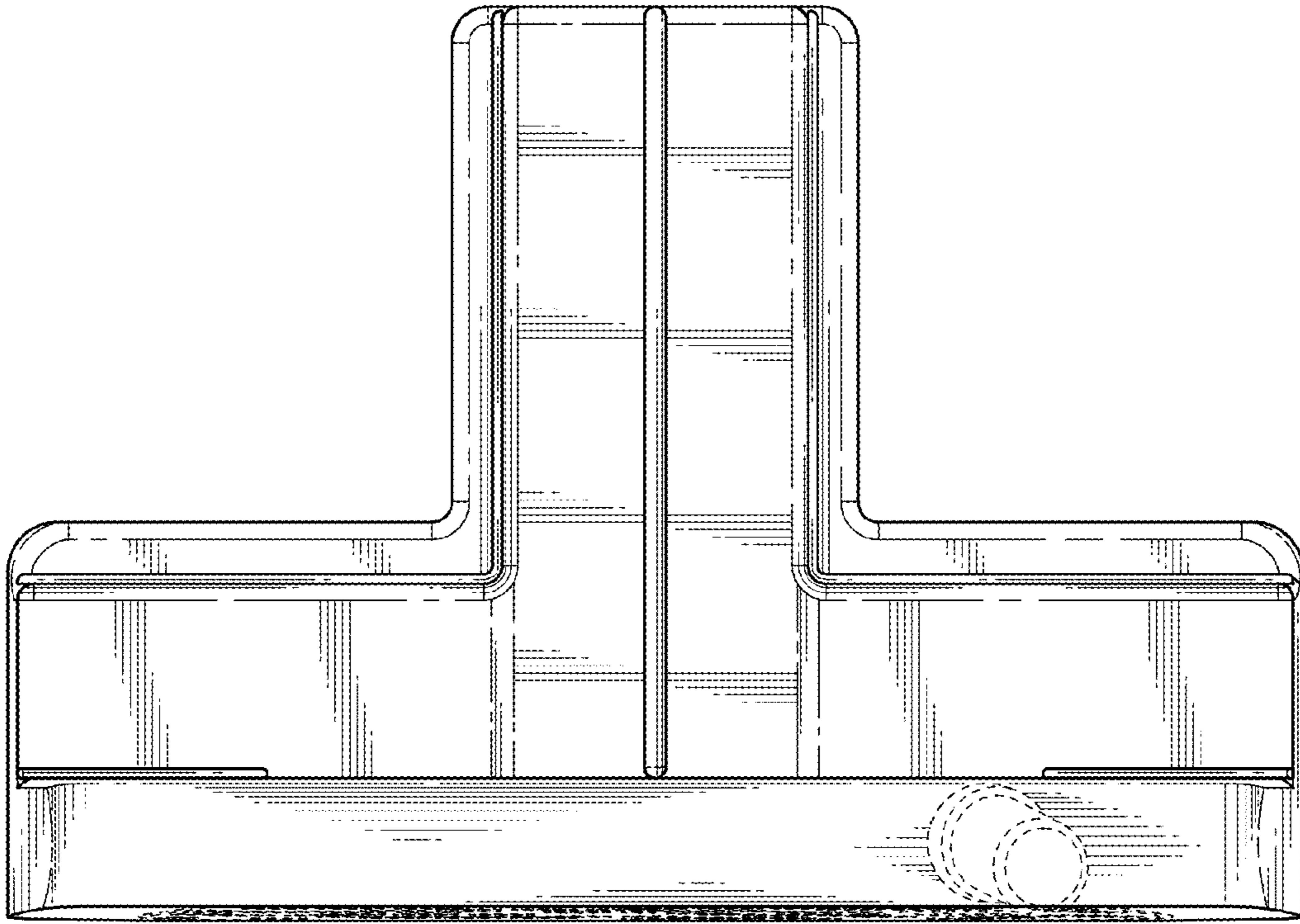


FIG. 6

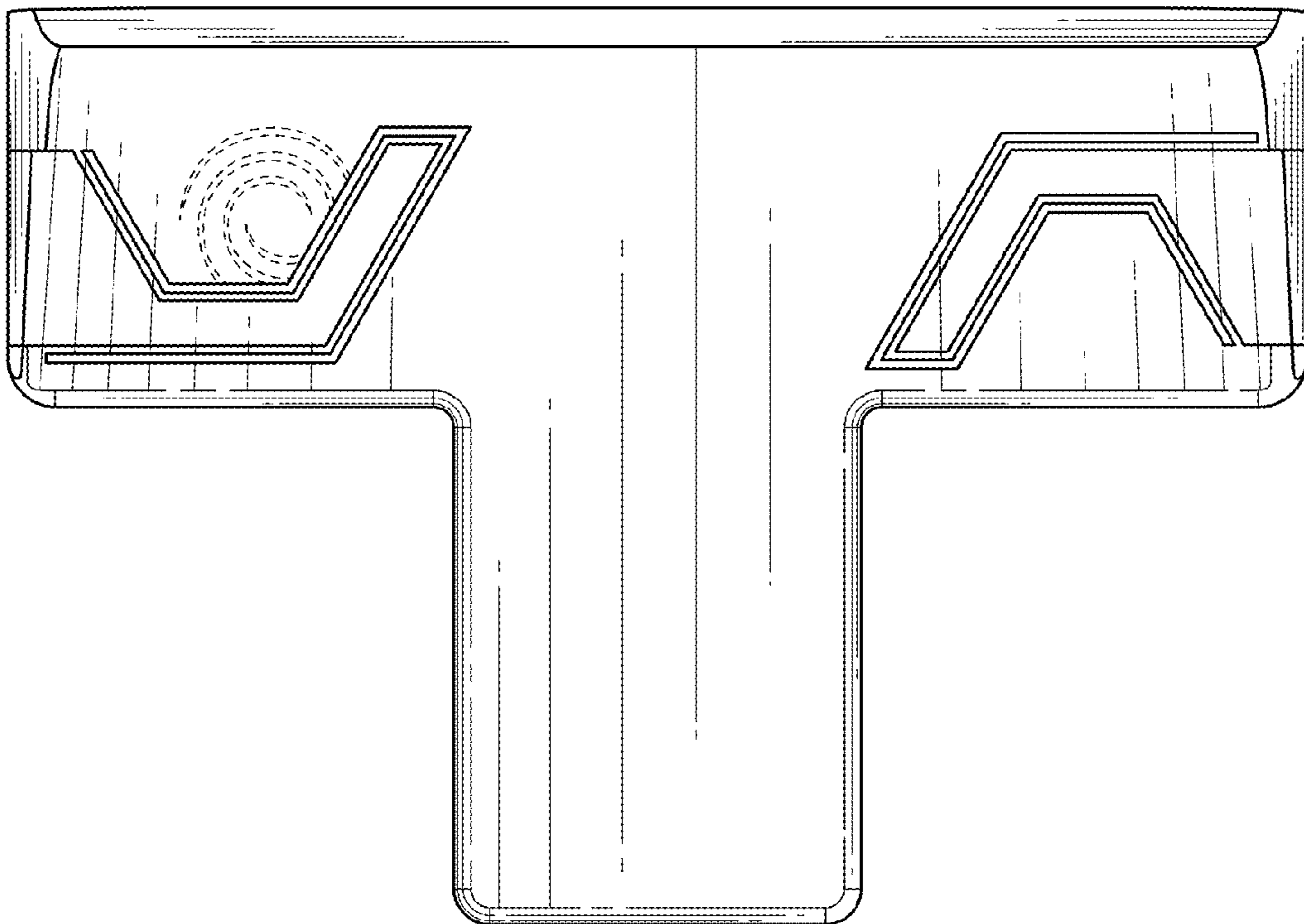


FIG. 7