



US00D759170S

(12) **United States Design Patent**
Louis

(10) **Patent No.:** **US D759,170 S**
(45) **Date of Patent:** **** Jun. 14, 2016**

(54) **REBOUND TRAINING DEVICE FRAME**

(71) Applicant: **John G Louis**, Northfield, IL (US)

(72) Inventor: **John G Louis**, Northfield, IL (US)

(**) Term: **15 Years**

(21) Appl. No.: **29/528,001**

(22) Filed: **May 23, 2015**

(51) **LOC (10) Cl.** **21-02**

(52) **U.S. Cl.**
USPC **D21/686**

(58) **Field of Classification Search**
USPC D21/686, 690, 676, 662, 691, 673, 697,
D21/797, 826, 694, 671, 685, 688, 689;
482/129, 92, 104, 142, 57, 63, 138, 94,
482/106, 108, 908, 130, 146, 147, 34, 135,
482/101, 97, 139, 62, 51, 37, 121, 126, 148,
482/113, 137; D6/708, 552, 675, 675.5,
D6/349, 301; D3/307, 273, 276, 298, 277,
D3/294, 350; D7/510, 511; D12/114, 411,
D12/414.1; D25/1, 33, 126
CPC A63B 22/0605; A63B 21/4029; A63B
23/0211; A63B 21/225; A63B 21/4035;
A63B 21/078

See application file for complete search history.

(56) **References Cited**

U.S. PATENT DOCUMENTS

3,047,294	A	7/1962	Maxwell	
4,477,070	A	10/1984	Appelbaum	
D290,281	S *	6/1987	Ringel	D21/691
4,787,630	A	11/1988	Watson et al.	
4,836,530	A	6/1989	Stanley, Jr.	
4,861,023	A	8/1989	Wedman	
D304,850	S	11/1989	Chambers	
D325,609	S *	4/1992	Cheng	D21/689
D337,007	S *	7/1993	Hanson	D6/675.5
5,499,949	A	3/1996	Heubl	
D368,747	S *	4/1996	Gifford	D21/690

5,518,476	A	5/1996	McLeon	
5,599,262	A	2/1997	Shih	
5,674,157	A	10/1997	Wilkinson	
5,690,383	A	11/1997	Meeker	
5,788,606	A	8/1998	Rich	
5,816,983	A	10/1998	Dawes et al.	
D401,985	S *	12/1998	Wheeler	D21/686
5,876,311	A	3/1999	Coates et al.	
5,888,182	A	3/1999	Shih	
D408,480	S *	4/1999	Haugo	D21/691
D422,325	S *	4/2000	Broudy	D21/689

(Continued)

Primary Examiner — Robert M Spear

Assistant Examiner — Ryan Harvey

(74) *Attorney, Agent, or Firm* — John C. Shepard

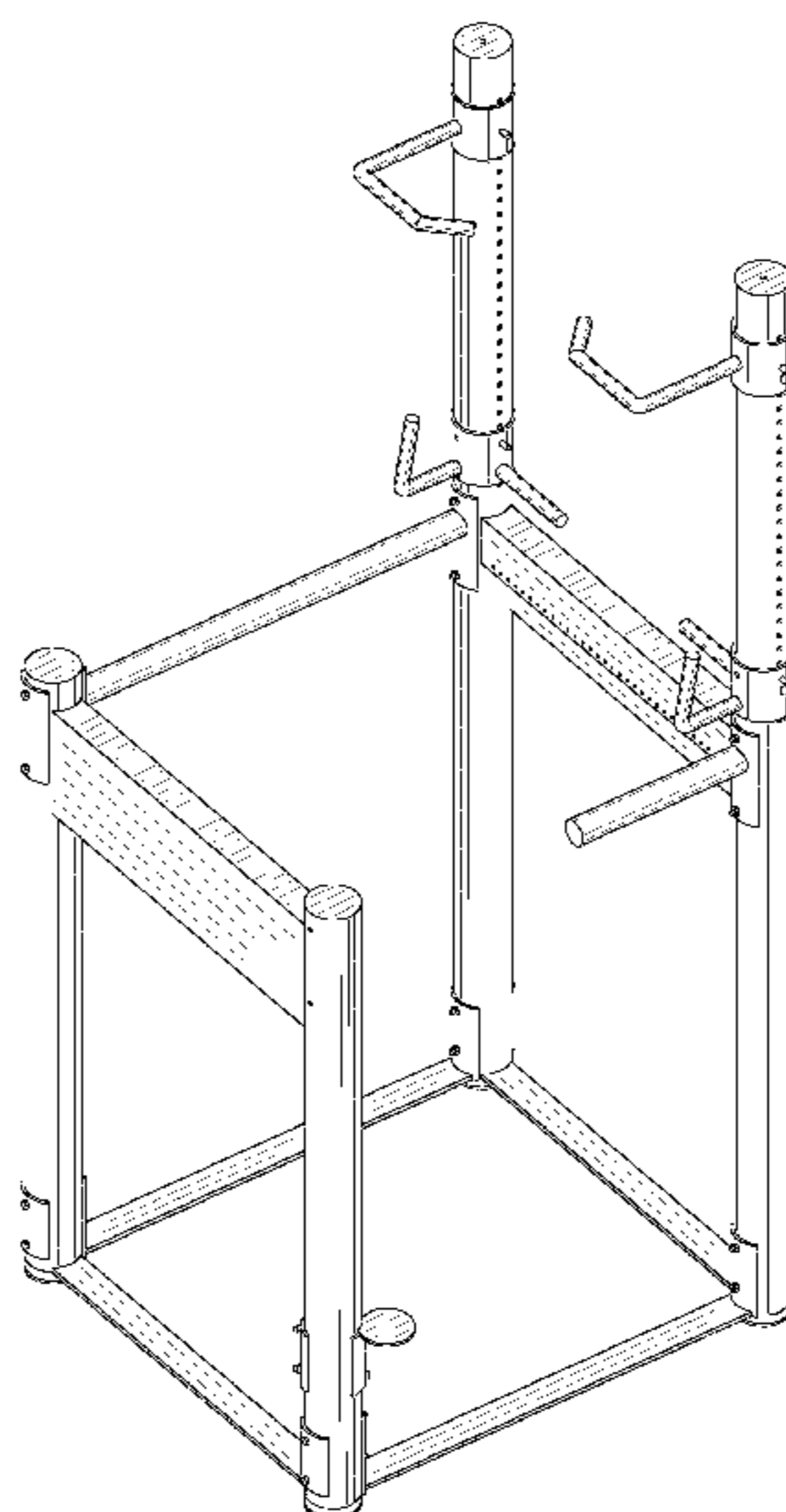
(57) **CLAIM**

The ornamental design for a rebound training device frame, as shown and described.

DESCRIPTION

FIG. 1 is a top, back, left side perspective view of a rebound training device frame showing my new design;
 FIG. 2 is a front elevational view of the rebound training device frame shown in FIG. 1;
 FIG. 3 is a right side elevational view of the rebound training device frame shown in FIG. 1;
 FIG. 4 is a back elevational view of the rebound training device frame shown in FIG. 1;
 FIG. 5 is a left side elevational view of the rebound training device frame shown in FIG. 1;
 FIG. 6 is a top plan view of the rebound training device frame shown in FIG. 1;
 FIG. 7 is a bottom plan view of the rebound training device frame shown in FIG. 1;
 FIG. 8 is a bottom, front, right side perspective view of a rebound training device frame showing my new design; and,
 FIG. 9 is a top, back, left side perspective view of the rebound training device frame shown in FIG. 1 with the hand holds repositioned to illustrate a position of use.

1 Claim, 9 Drawing Sheets



(56)

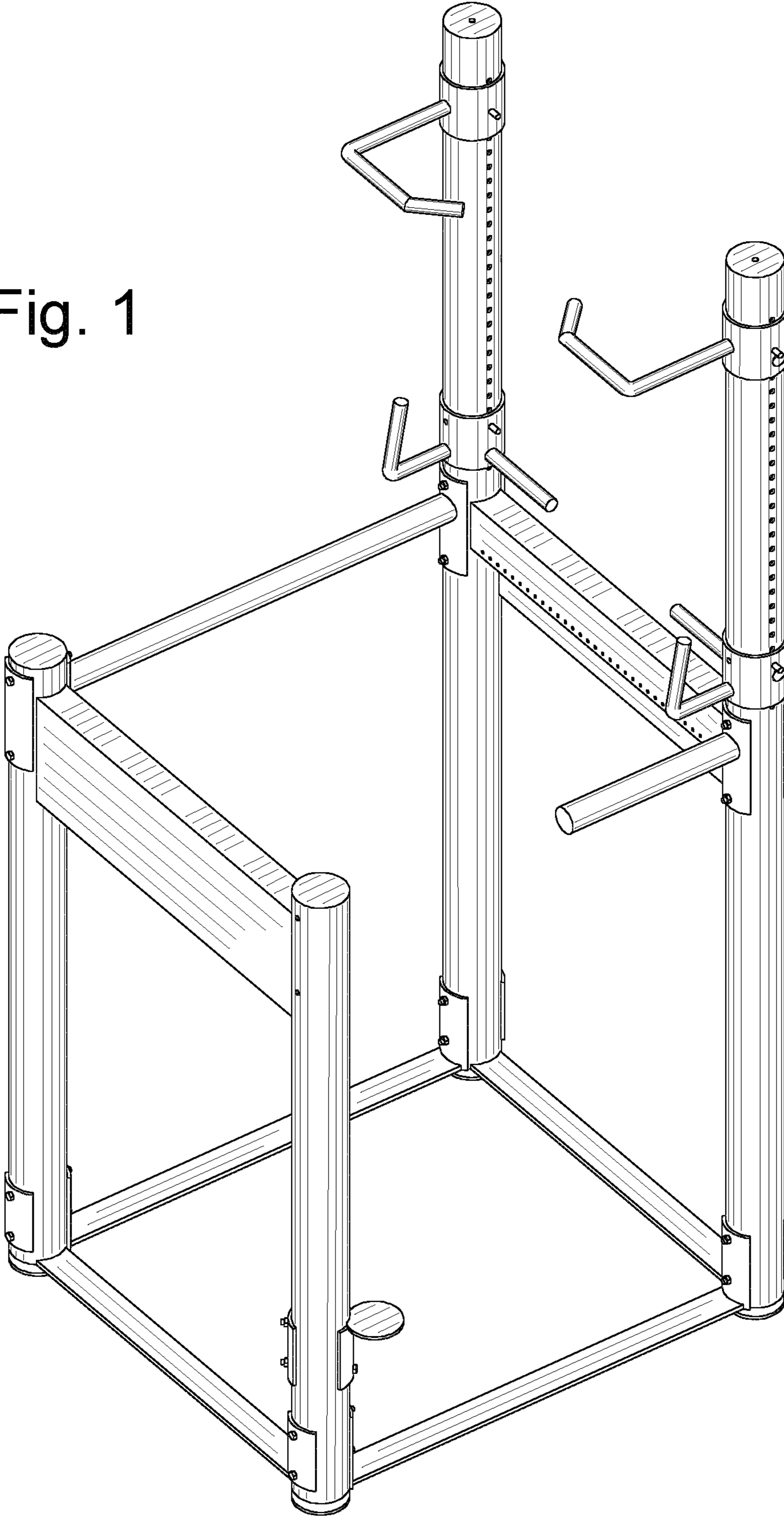
References Cited

U.S. PATENT DOCUMENTS

6,176,817 B1	1/2001	Carey et al.	7,645,221 B1	1/2010	Curry
6,416,447 B1	7/2002	Harmon	7,666,126 B2	2/2010	Rempe
6,500,097 B1	12/2002	Hall	D635,623 S *	4/2011	Wright D21/686
6,599,198 B2	7/2003	Ettenhofer	D640,334 S *	6/2011	Aboody D21/662
D482,748 S	11/2003	Flynt	8,221,295 B2 *	7/2012	Wilkins A63B 5/00 482/130
D495,015 S *	8/2004	Tudico D21/662	D694,349 S	11/2013	Chen
6,942,487 B2	9/2005	Corbalis	8,814,766 B2	8/2014	Scimone
D520,083 S *	5/2006	Lu D21/685	D731,601 S *	6/2015	Bradley D21/686
7,094,181 B2	8/2006	Hall	D735,819 S *	8/2015	Louis D21/686
D538,358 S *	3/2007	Glier D21/662	2004/0229738 A1	11/2004	Hobson
D548,291 S *	8/2007	Chiang D21/662	2005/0043142 A1	2/2005	Rieber
7,374,522 B2 *	5/2008	Arnold A63B 21/005 482/146	2008/0076638 A1	3/2008	Publicover
D585,505 S *	1/2009	Wu D21/662	2009/0318267 A1	12/2009	Park et al.
D597,614 S *	8/2009	Goddard D21/686	2013/0316885 A1	11/2013	Harwin
			2014/0018218 A1	1/2014	Chen
			2014/0179492 A1	6/2014	Wilkins

* cited by examiner

Fig. 1



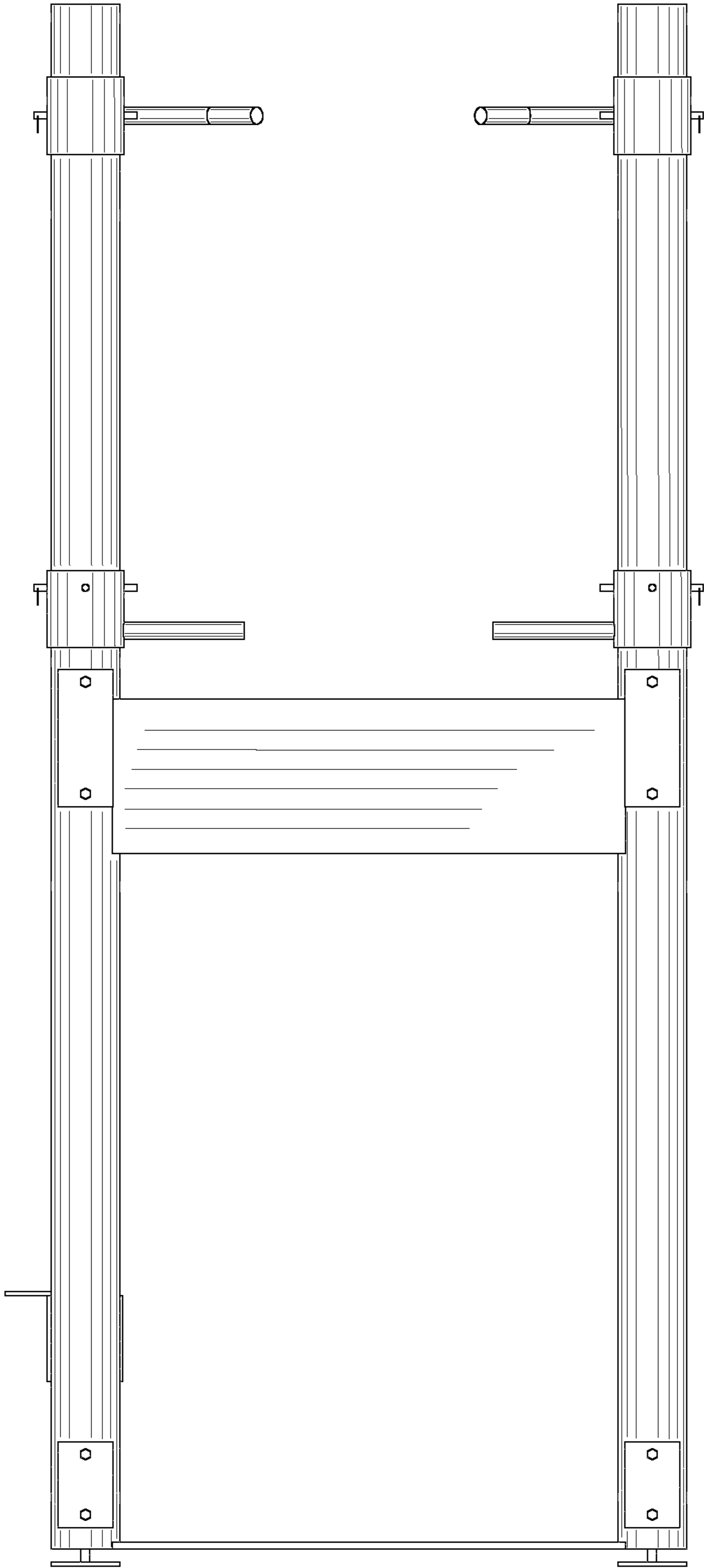


Fig. 2

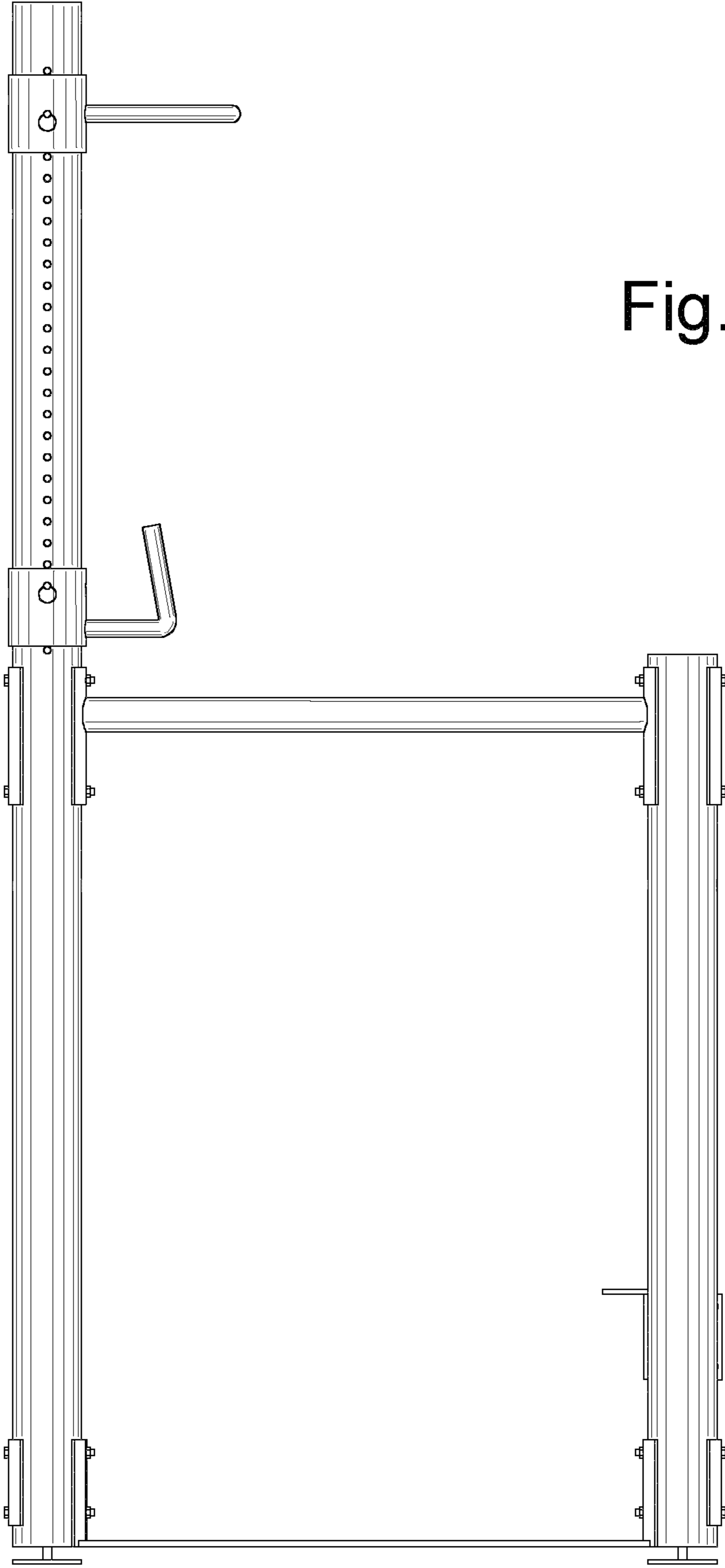


Fig. 3

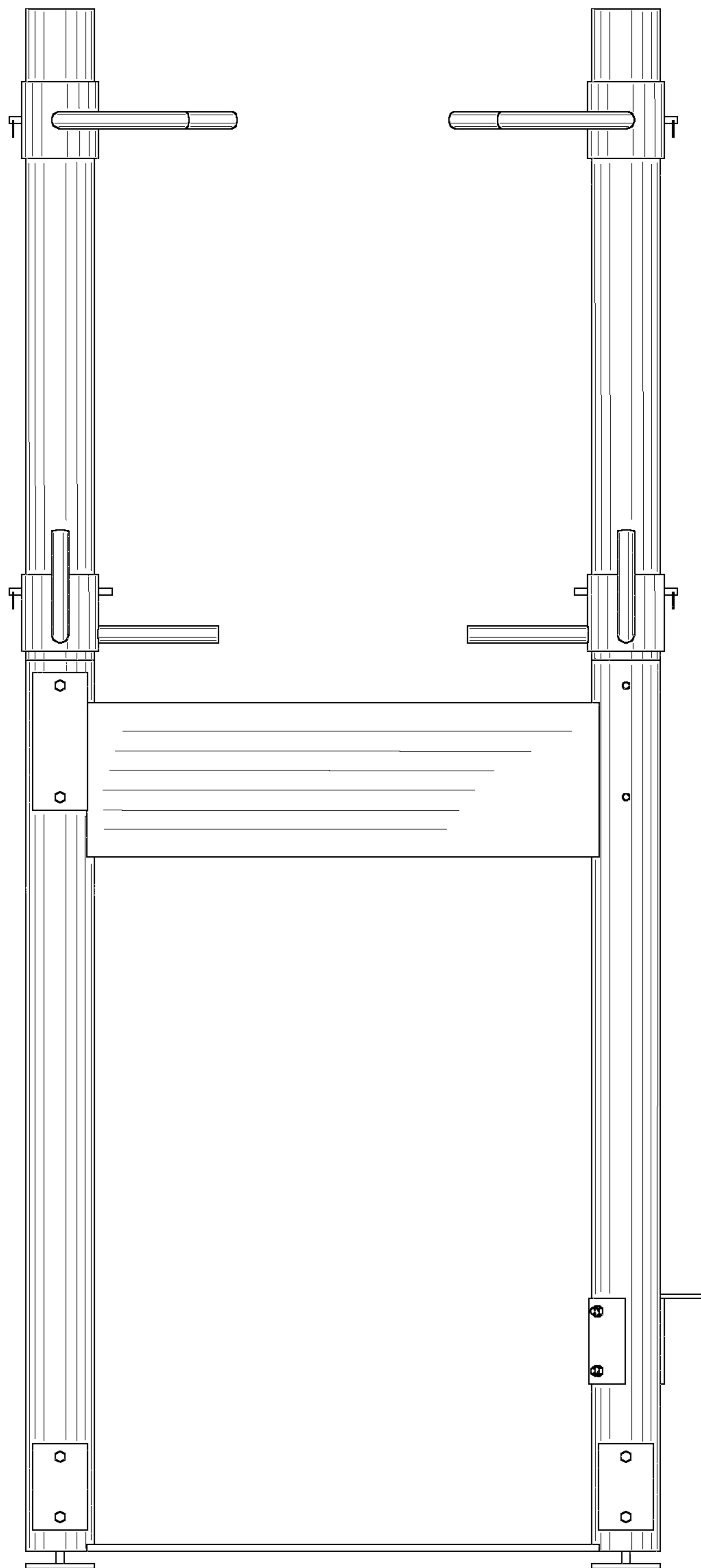
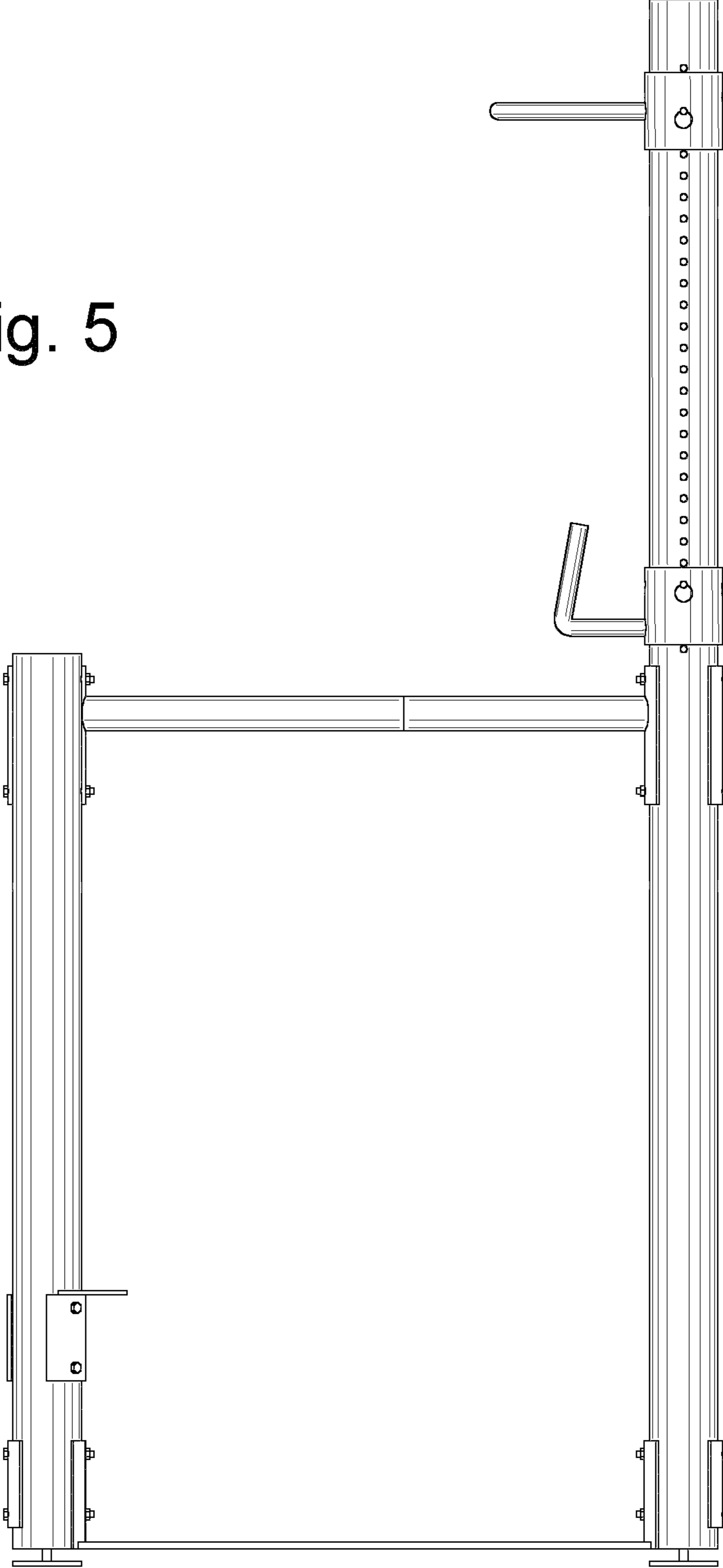


Fig. 4

Fig. 5



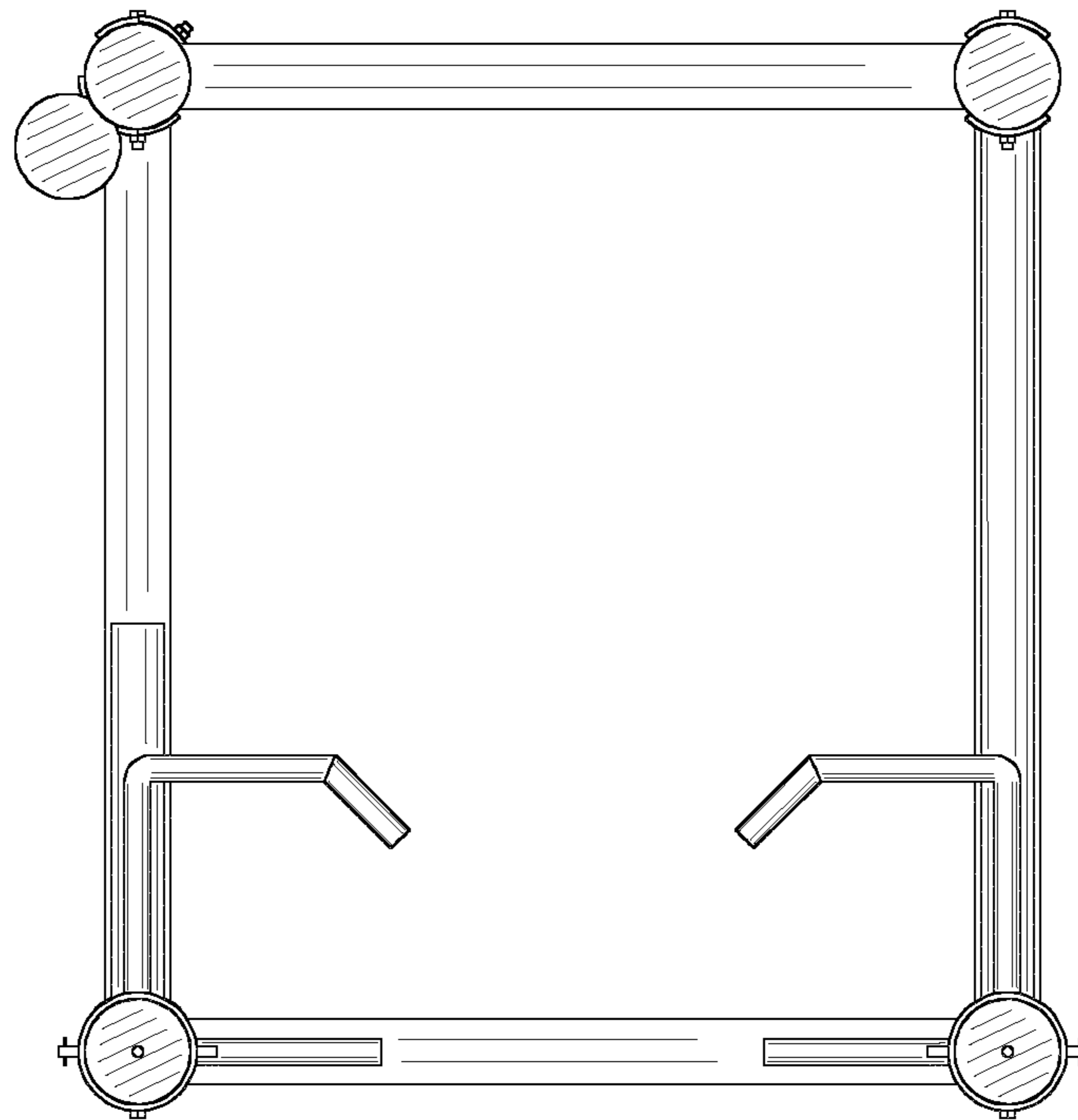


Fig. 6

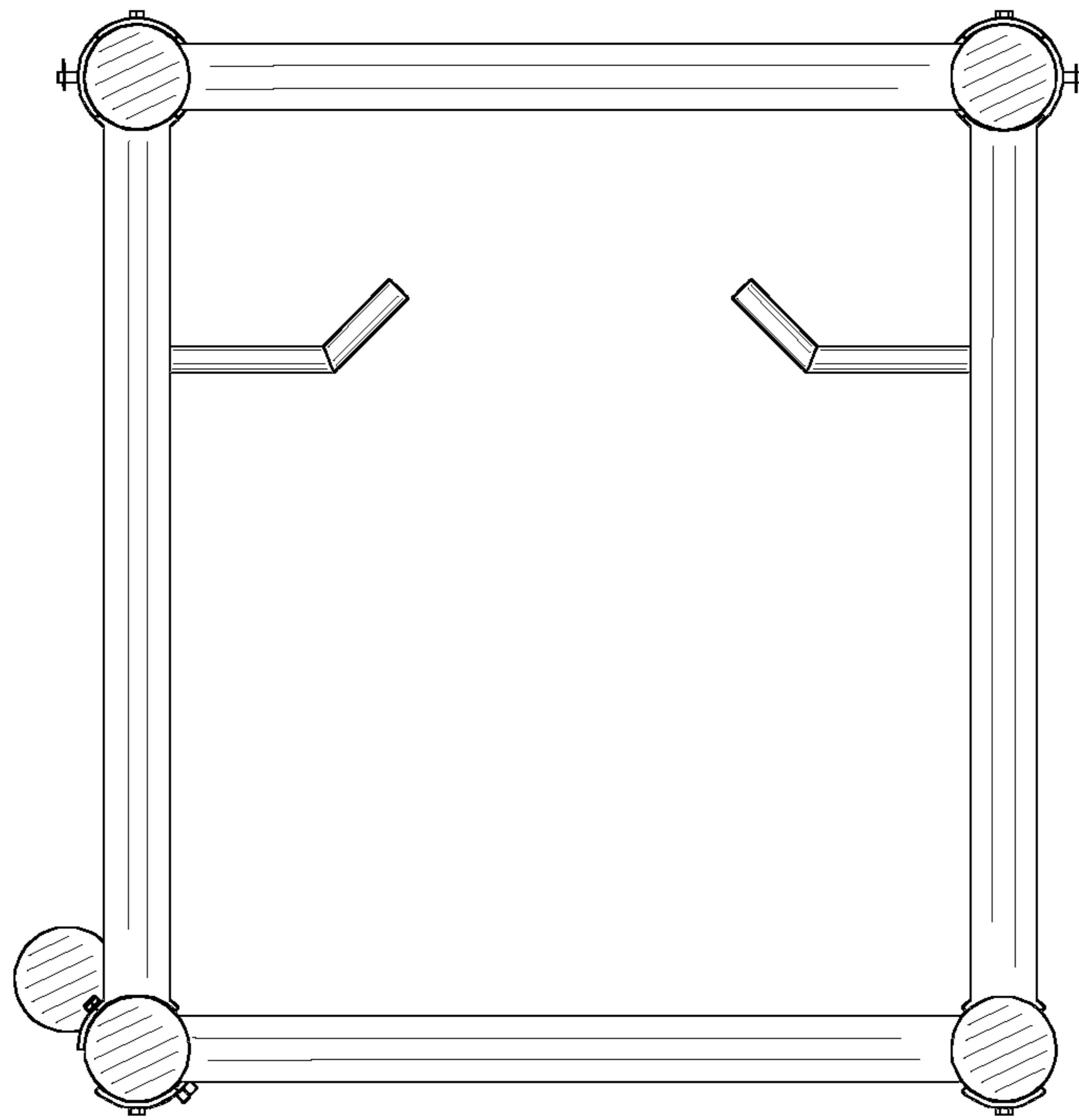


Fig. 7

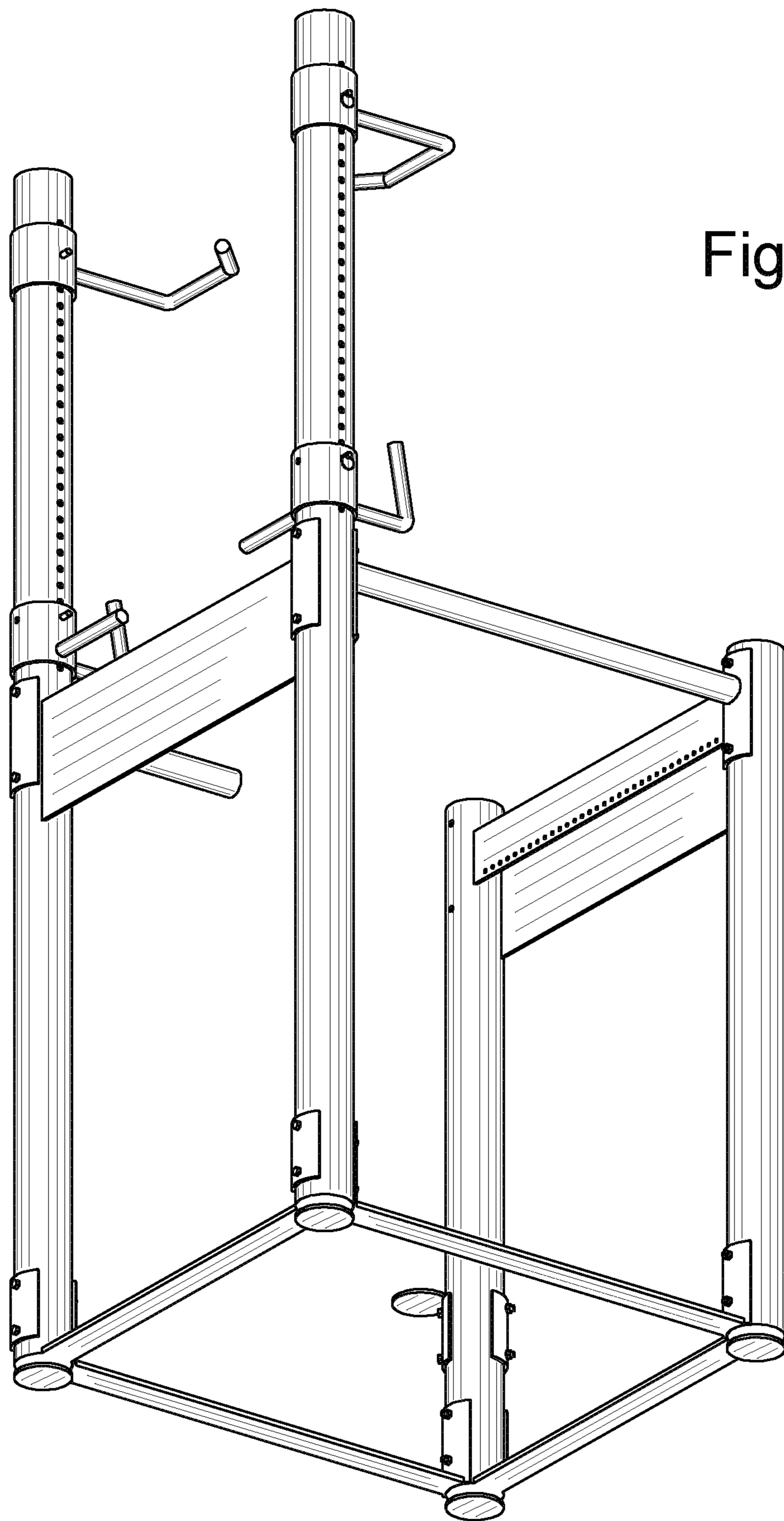


Fig. 8

Fig. 9

