



US00D759169S

(12) **United States Design Patent**  
**Humberto Mercenari Uribe**

(10) **Patent No.:** **US D759,169 S**  
(45) **Date of Patent:** **\*\* Jun. 14, 2016**

(54) **VERTICAL INTEGRAL CLIMBER**

(71) Applicant: **Fernando Humberto Mercenari Uribe**,  
Mexico City (MX)

(72) Inventor: **Fernando Humberto Mercenari Uribe**,  
Mexico City (MX)

(\*\*) Term: **14 Years**

(21) Appl. No.: **29/466,763**

(22) Filed: **Sep. 11, 2013**

(30) **Foreign Application Priority Data**

Mar. 11, 2013 (MX) ..... MX/f/2013/00692

(51) **LOC (10) Cl.** ..... **12-15**

(52) **U.S. Cl.**  
USPC ..... **D21/670**

(58) **Field of Classification Search**  
USPC ..... D21/662-671, 694, 697; 482/52, 54,  
482/56, 57, 59-61, 63-66, 70, 71, 74-76,  
482/80, 140-145

CPC ..... A63B 22/0056; A63B 2208/0204;  
A63B 22/001; A63B 21/0083; A63B 22/205;  
A63B 21/00069; A63B 2022/0038

See application file for complete search history.

(56) **References Cited**

**U.S. PATENT DOCUMENTS**

5,007,631 A \* 4/1991 Wang ..... 482/52  
D323,008 S \* 1/1992 Wang ..... D21/670

(Continued)

*Primary Examiner* — George D Kirschbaum

*Assistant Examiner* — Jennifer Watkins

(74) *Attorney, Agent, or Firm* — Baker & Hostetler LLP

(57) **CLAIM**

The ornamental design for a vertical integral climber, as shown and described.

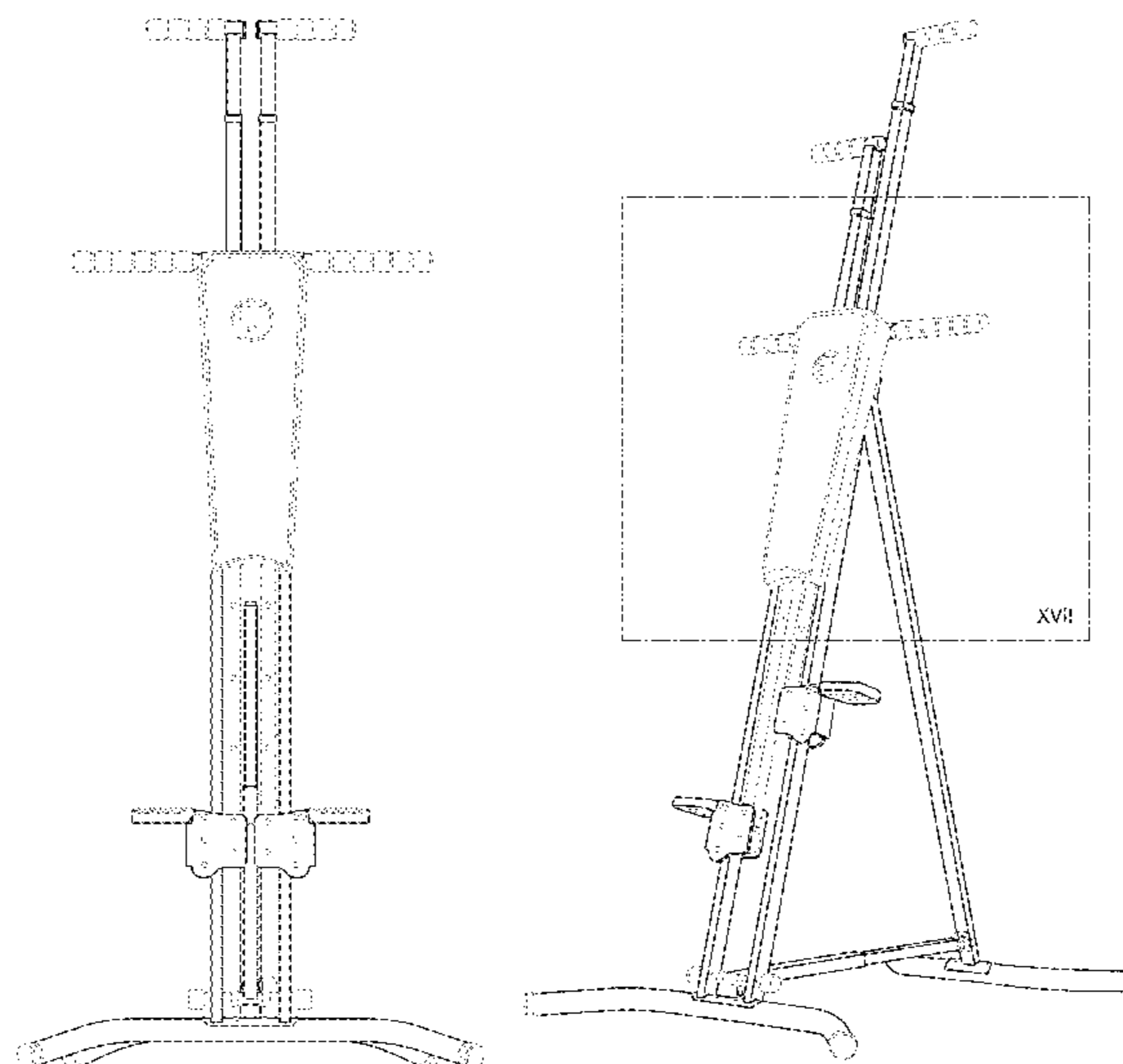
**DESCRIPTION**

FIG. 1 shows a front view of the vertical integral climber. FIG. 2 shows a right side view of the vertical integral climber. FIG. 3 shows a left side view of the vertical integral climber. FIG. 4 shows a rear view of the vertical integral climber. FIG. 5 shows a bottom view of the vertical integral climber. FIG. 6 shows a top view of the vertical integral climber. FIG. 7 shows a perspective view of the rear face of the vertical integral climber. FIG. 8 shows a perspective view of the front face of the vertical integral climber. FIG. 9 shows a front view of the vertical integral climber of the FIG. 1, in an operational configuration. FIG. 10 shows a right side view of the vertical integral climber of the FIG. 2, in an operational configuration. FIG. 11 shows a left side view of the vertical integral climber of the FIG. 3, in an operational configuration. FIG. 12 shows a rear view of the vertical integral climber of the FIG. 4, in an operational configuration. FIG. 13 shows a bottom view of the vertical integral climber of the FIG. 5 in an operational configuration. FIG. 14 shows a top view of the vertical integral climber of the FIG. 6, in an operational configuration. FIG. 15 shows a perspective view of the rear face of the vertical integral climber of the FIG. 7, in an operational configuration. FIG. 16 shows a perspective view of the front face of the vertical integral climber of the FIG. 8, in an operational configuration; and, FIG. 17 shows a perspective partial view of the vertical integral climber.

The broken lines in the drawings are for the purpose of illustrating portions of the vertical integral climber that form no part of the claim.

This industrial design relates to a vertical integral climber to be used in fitness exercises and characterized by a proper and particular design with a practical and ornamental aspect.

**1 Claim, 16 Drawing Sheets**



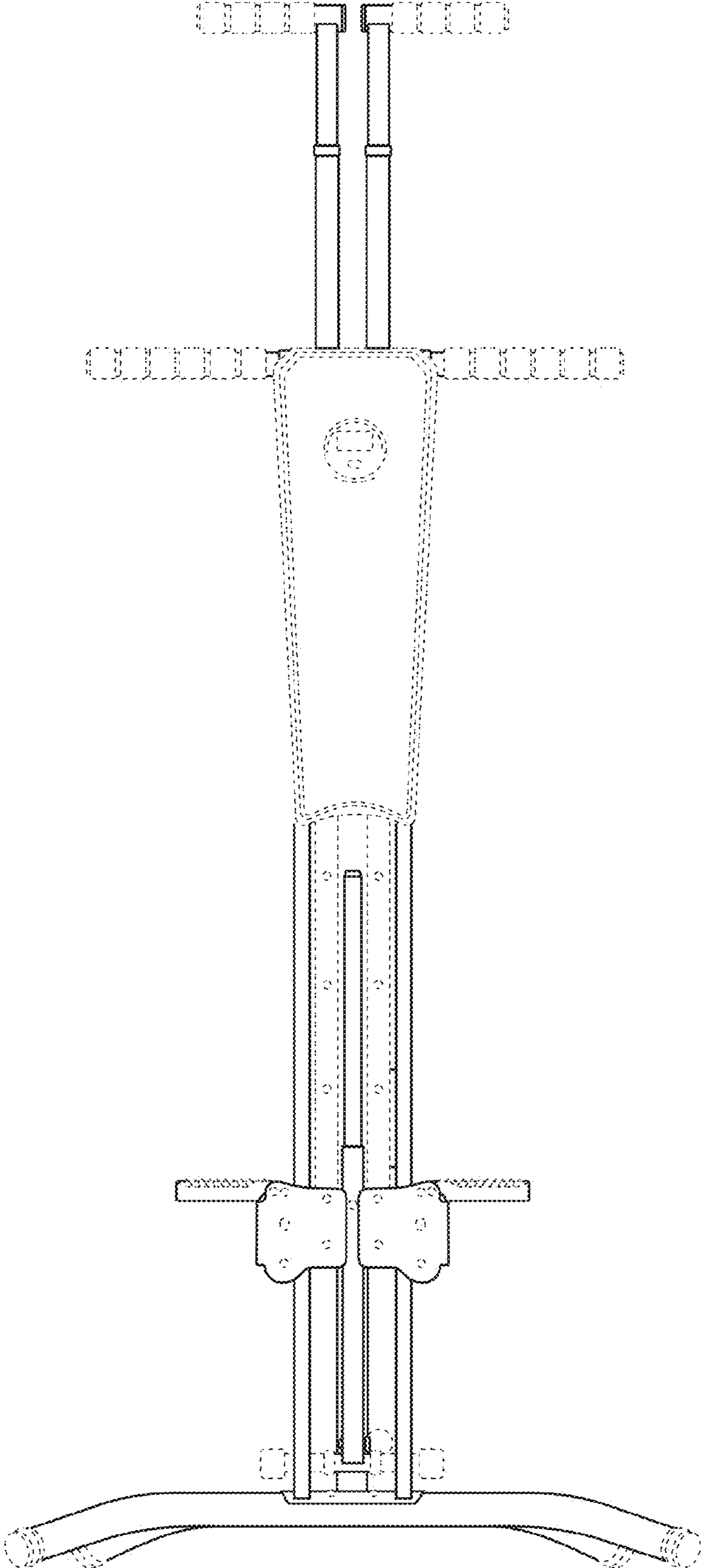
(56)

**References Cited**

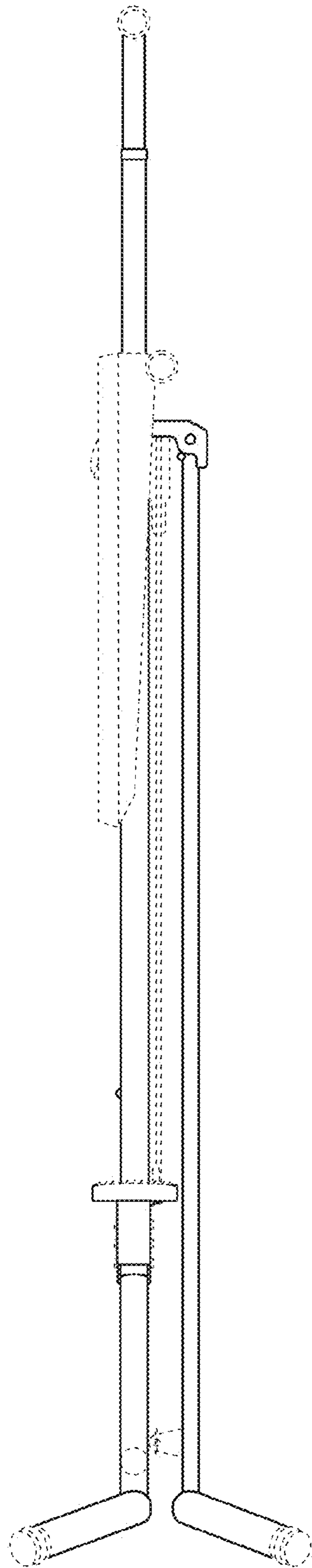
U.S. PATENT DOCUMENTS

5,090,690	A *	2/1992	Huang	.....	482/52	5,222,927	A *	6/1993	Chang	.....	482/53
D326,491	S *	5/1992	Dalebout	.....	D21/670	5,370,592	A *	12/1994	Wu	.....	482/53
D326,695	S *	6/1992	Evans	.....	D21/670	5,490,818	A *	2/1996	Haber et al.	.....	482/52
D329,478	S *	9/1992	Wang	.....	D21/670	5,492,515	A *	2/1996	Charnitski	.....	482/51
5,199,932	A *	4/1993	Liao	.....	482/53	5,679,100	A *	10/1997	Charnitski	.....	482/51
						5,803,880	A *	9/1998	Allen	.....	482/113
						7,288,052	B1 *	10/2007	Guillaume	.....	482/142
						7,648,444	B2 *	1/2010	Johnson	.....	482/52

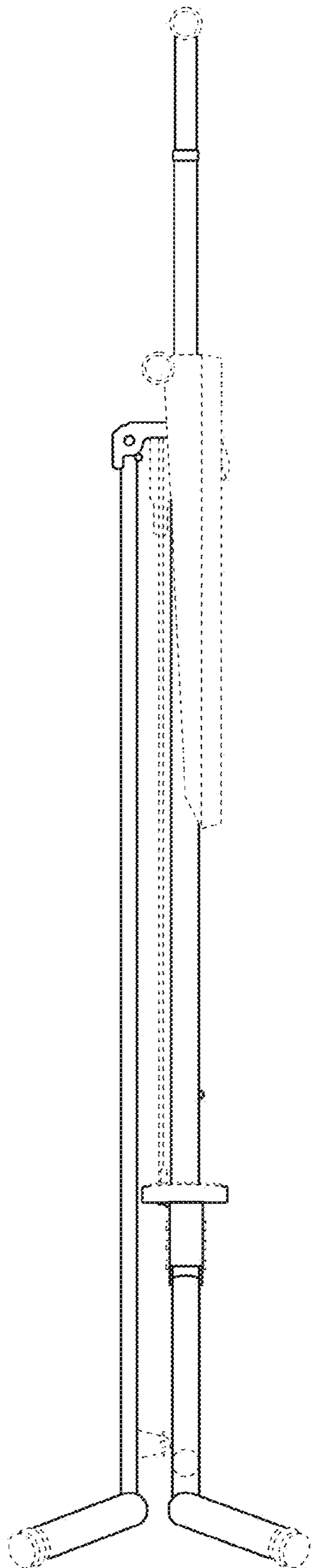
\* cited by examiner



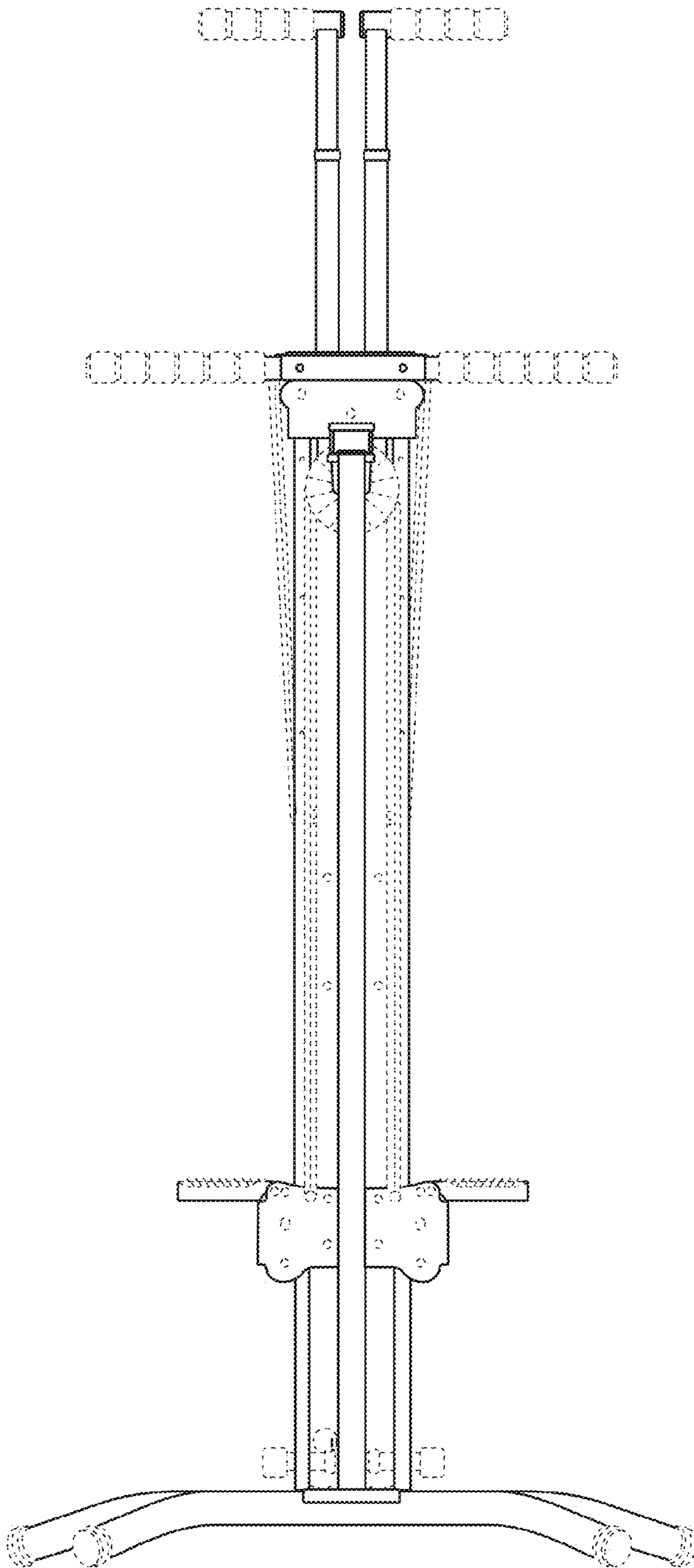
**FIG. 1**



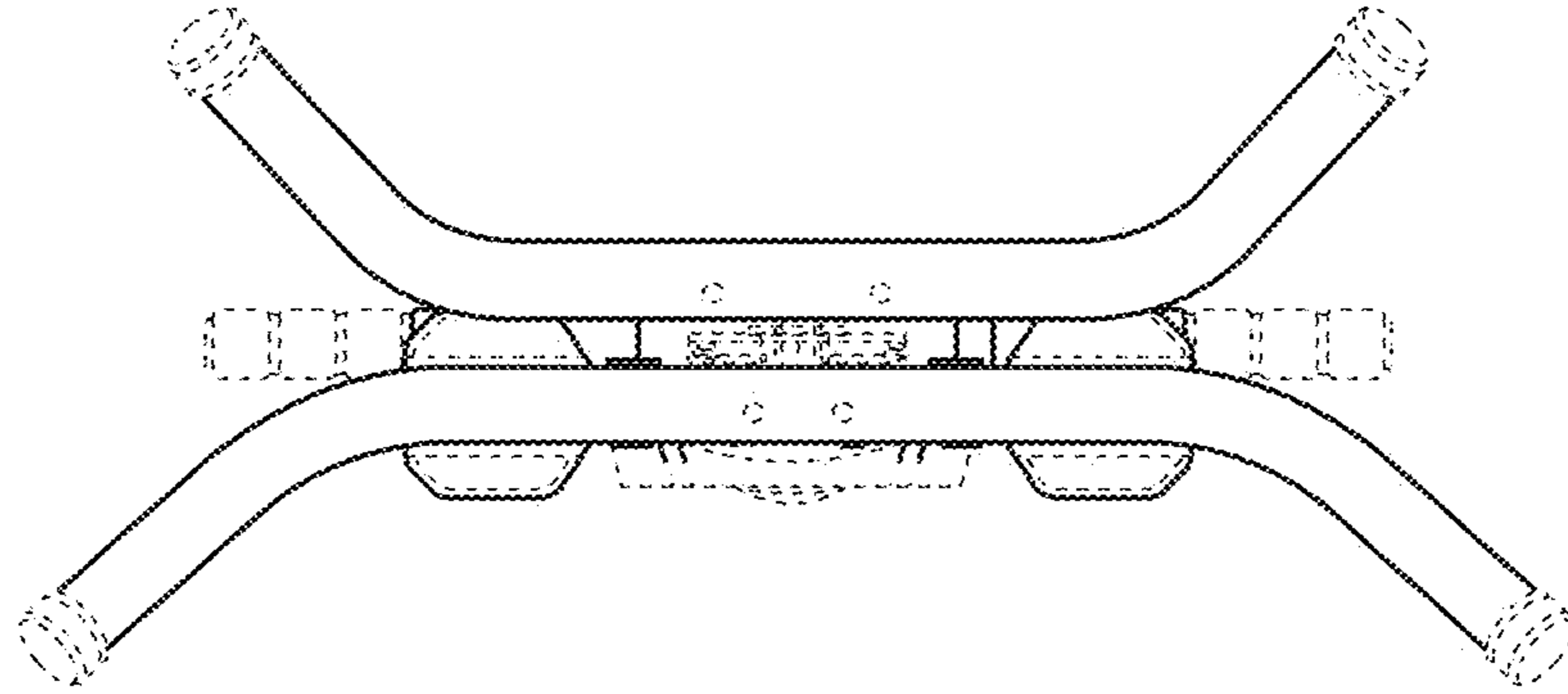
**FIG. 2**



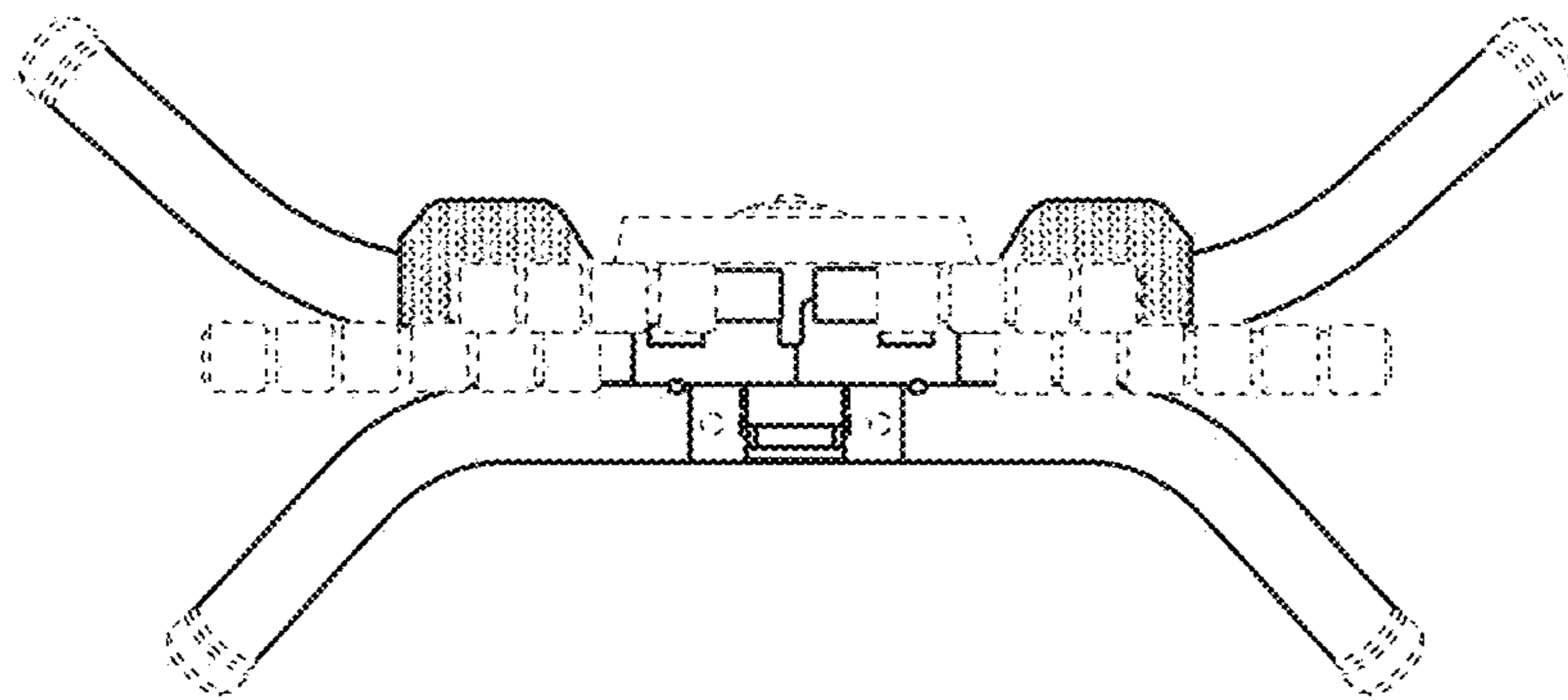
**FIG. 3**



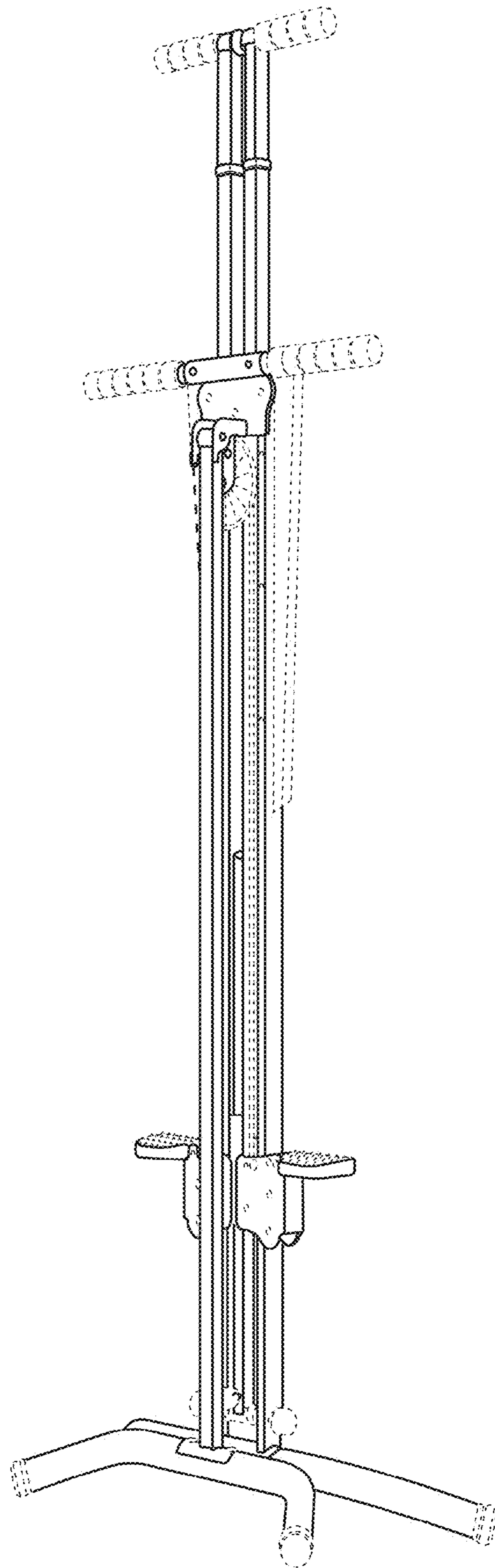
**FIG. 4**



**FIG. 5**

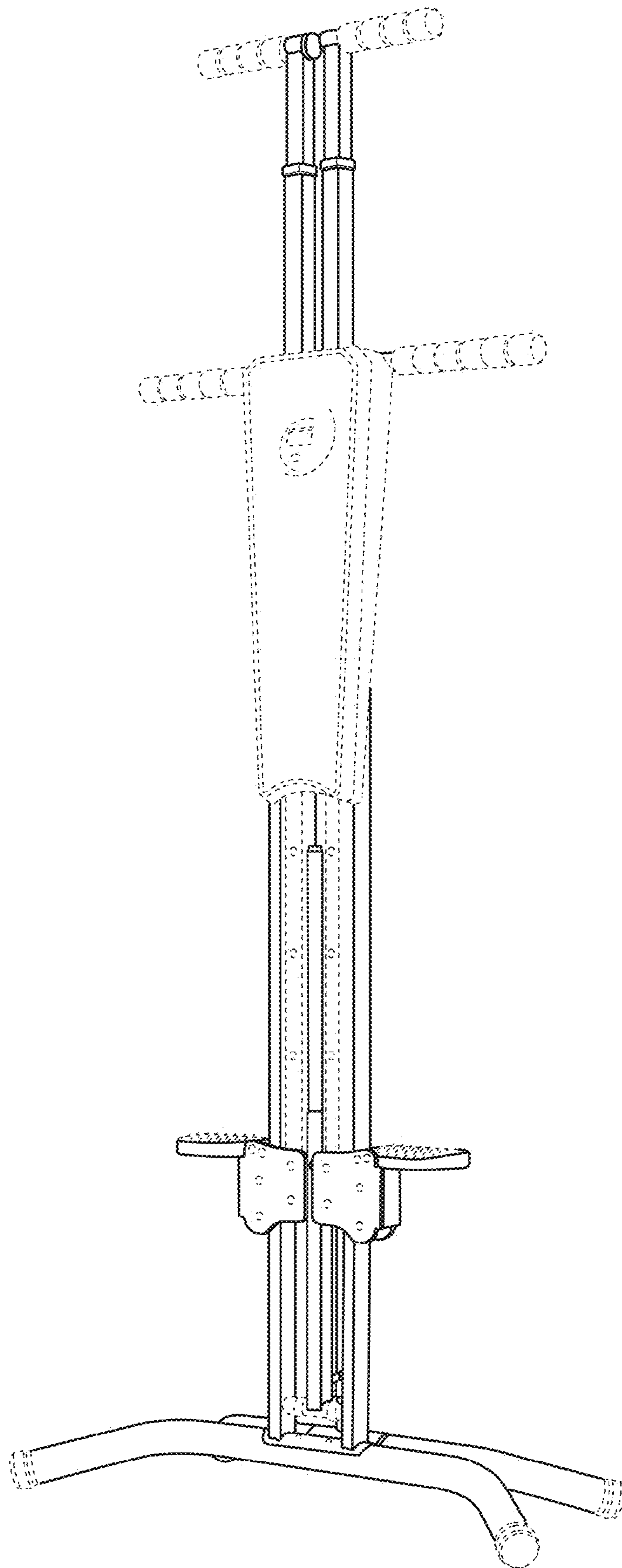


**FIG. 6**

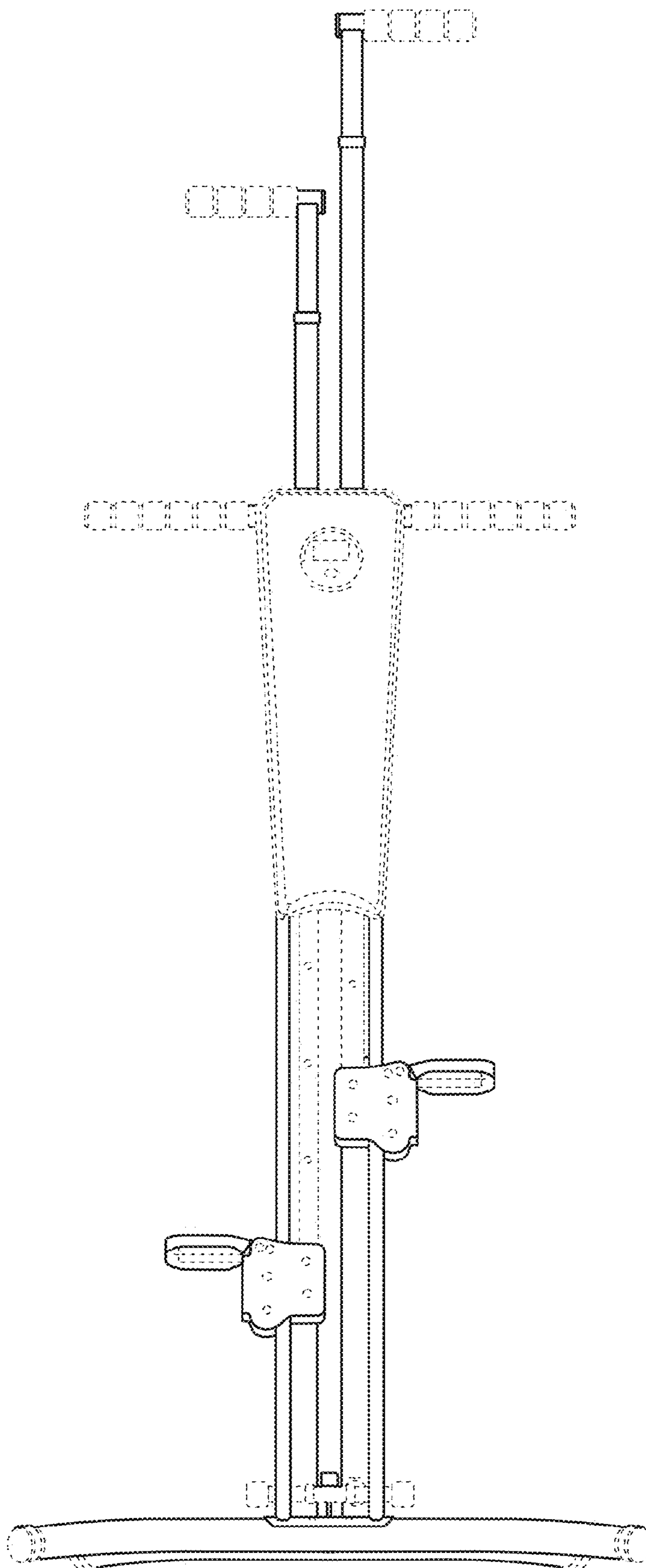


**FIG. 7**

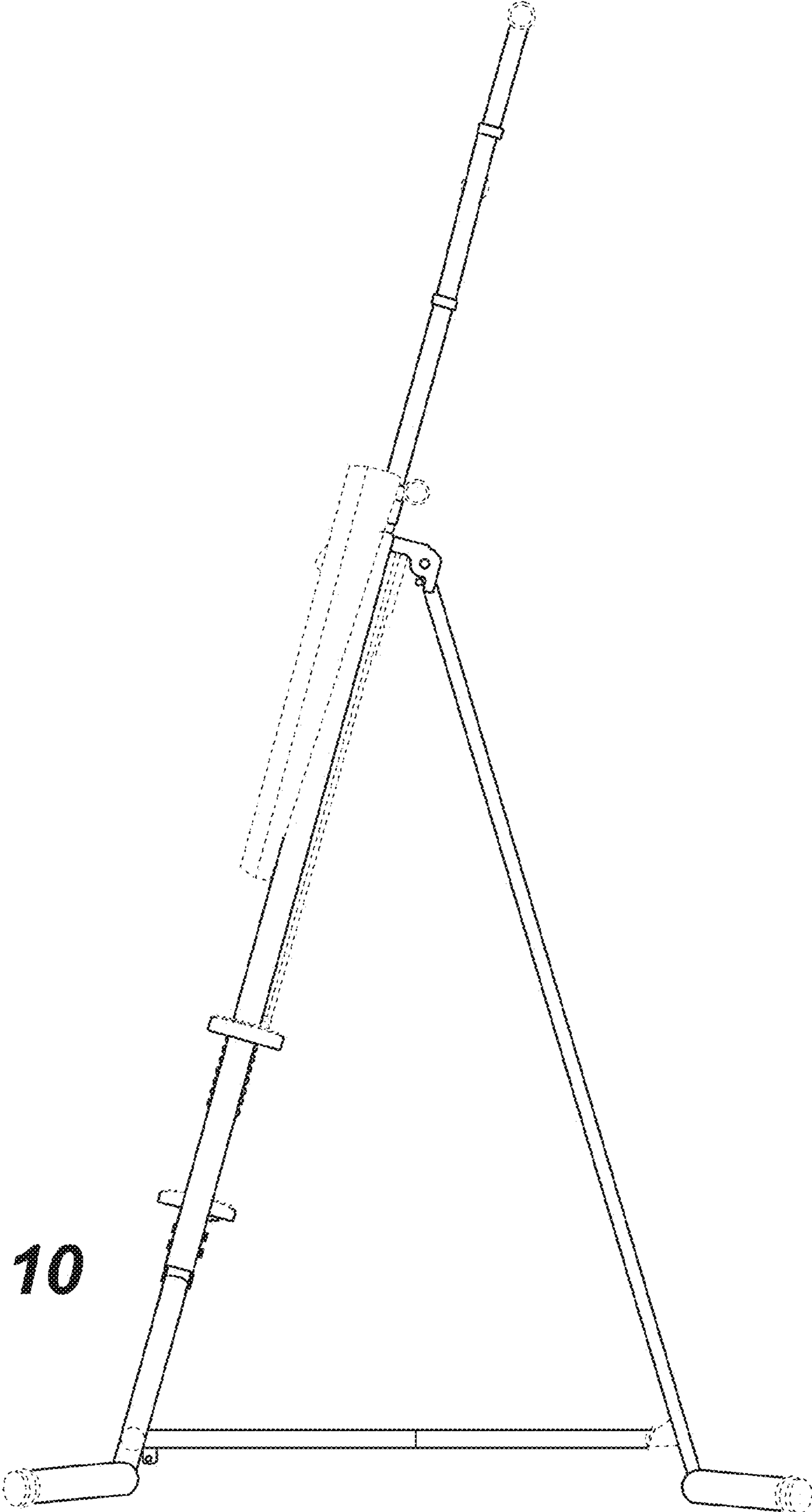




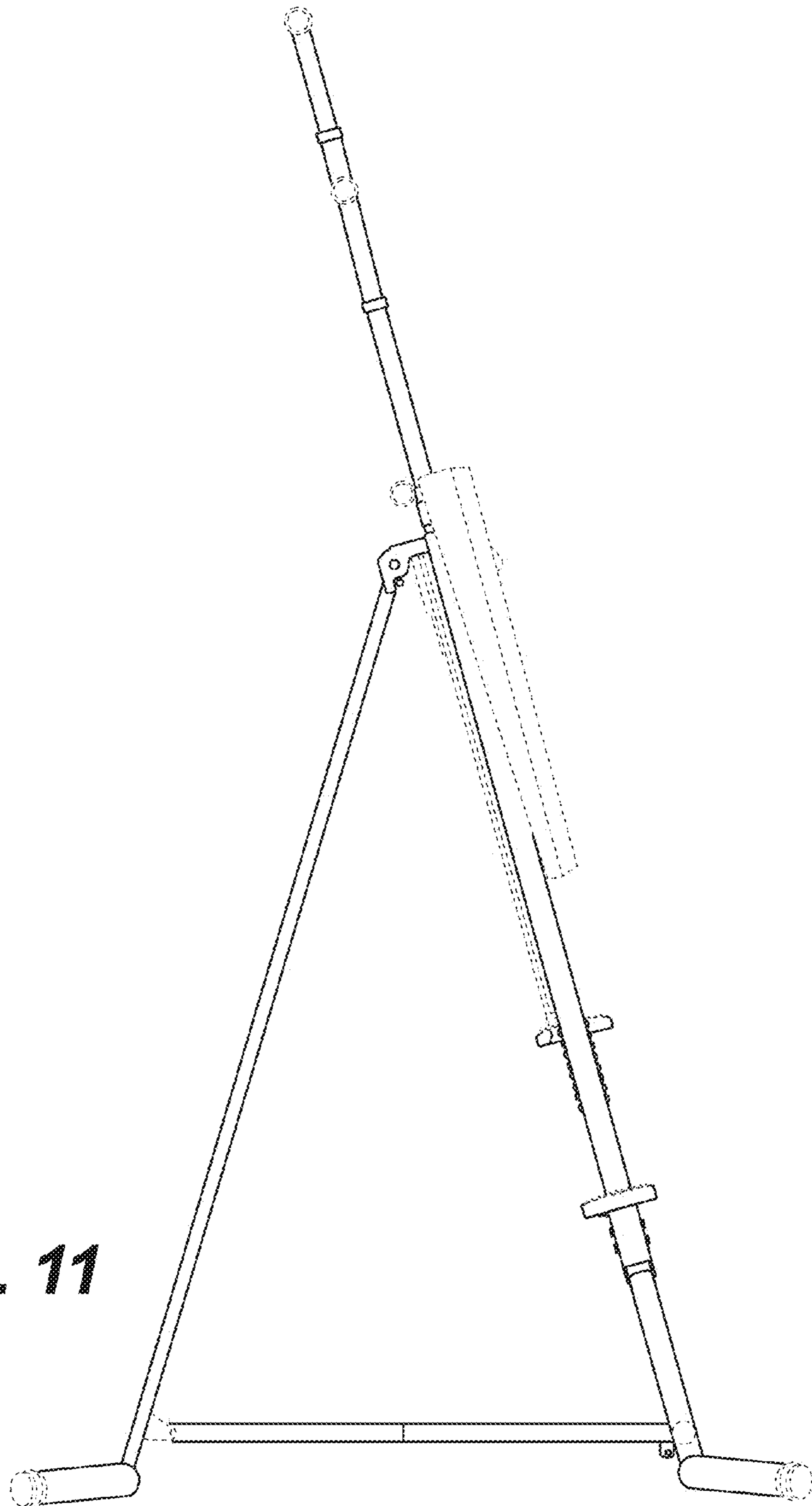
**FIG. 8**



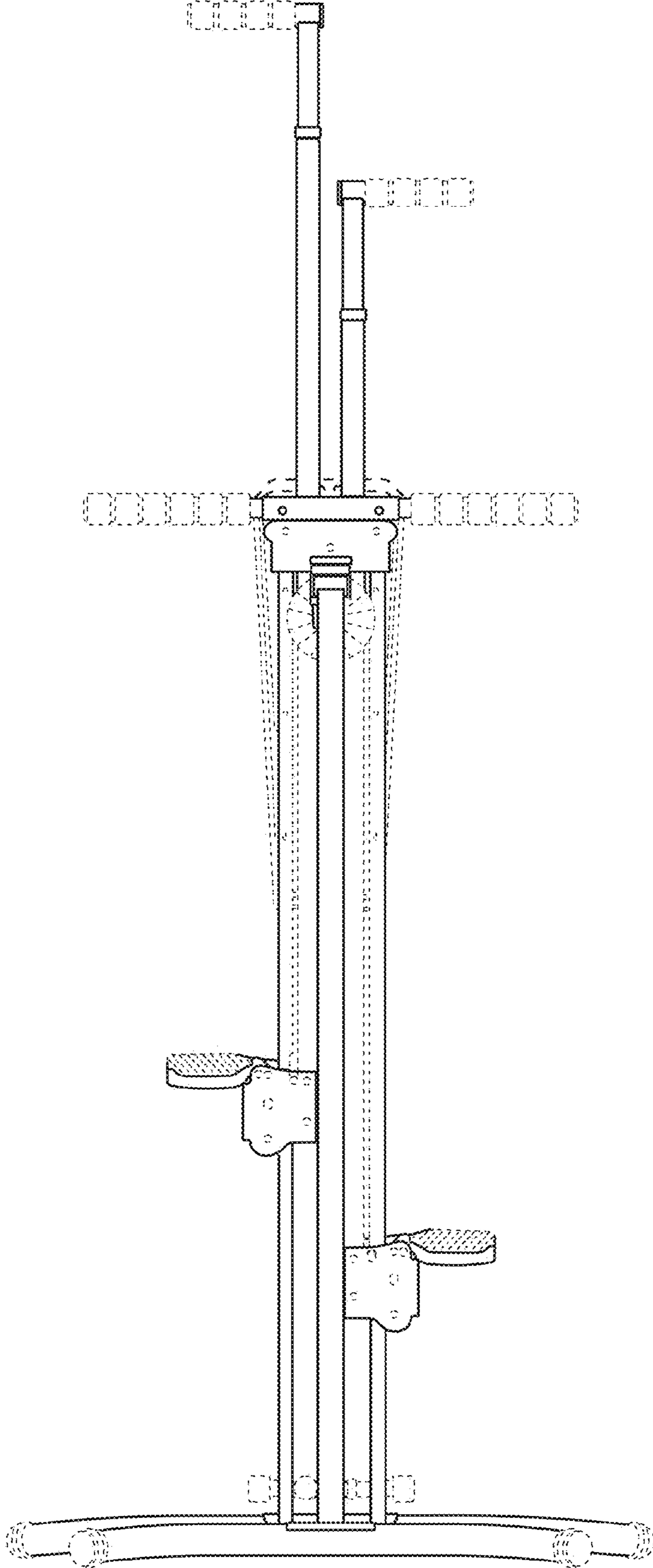
**FIG. 9**



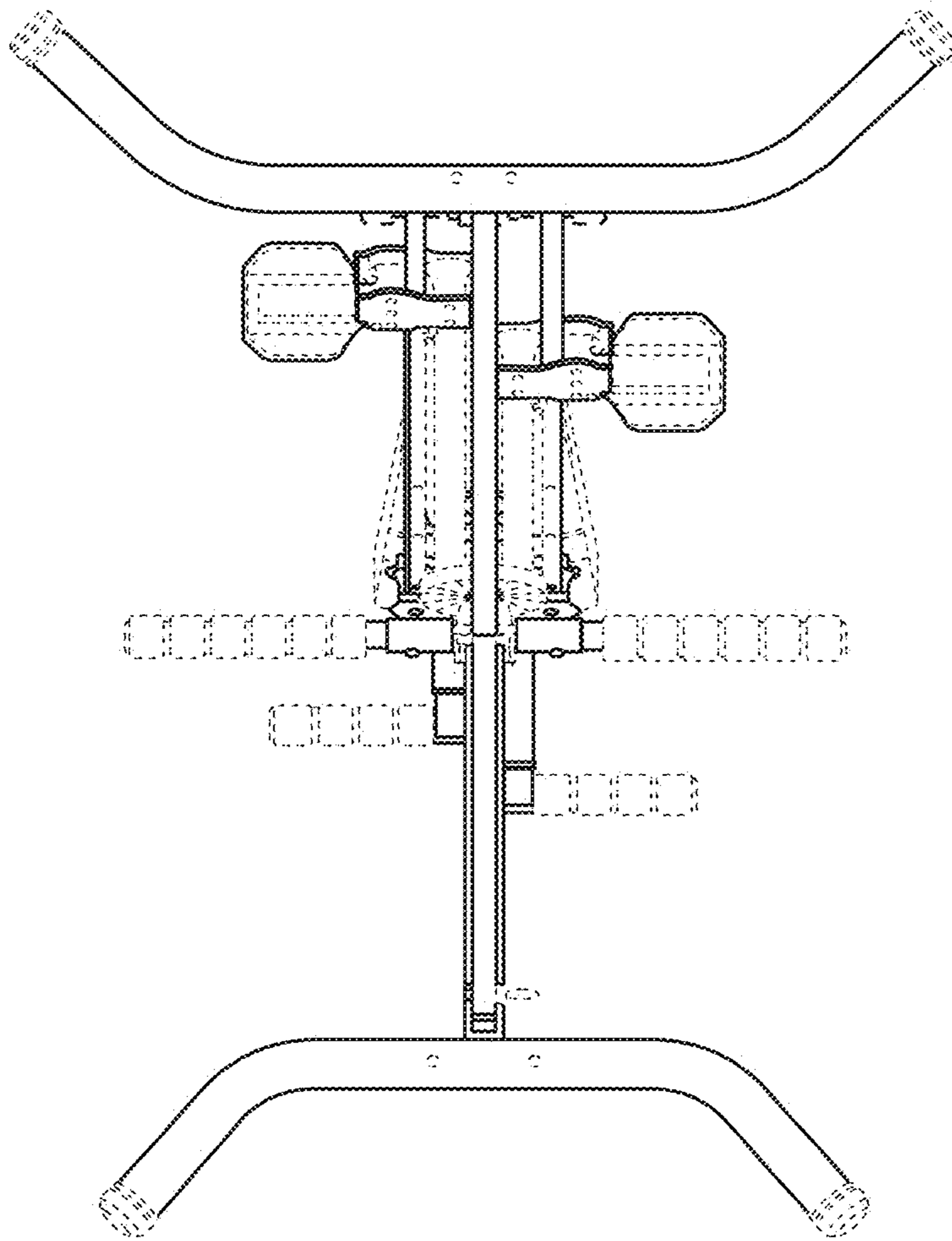
**FIG. 10**



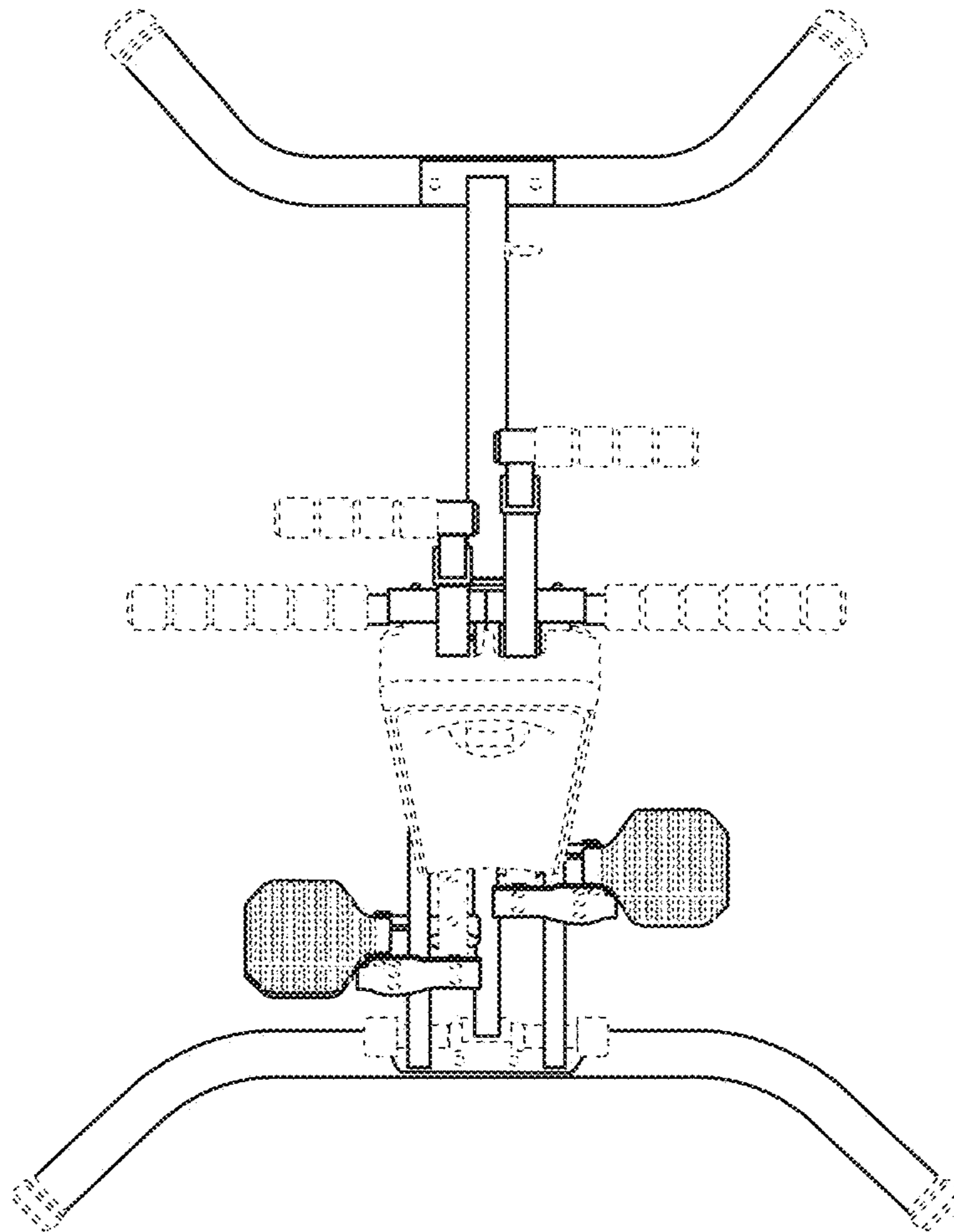
**FIG. 11**



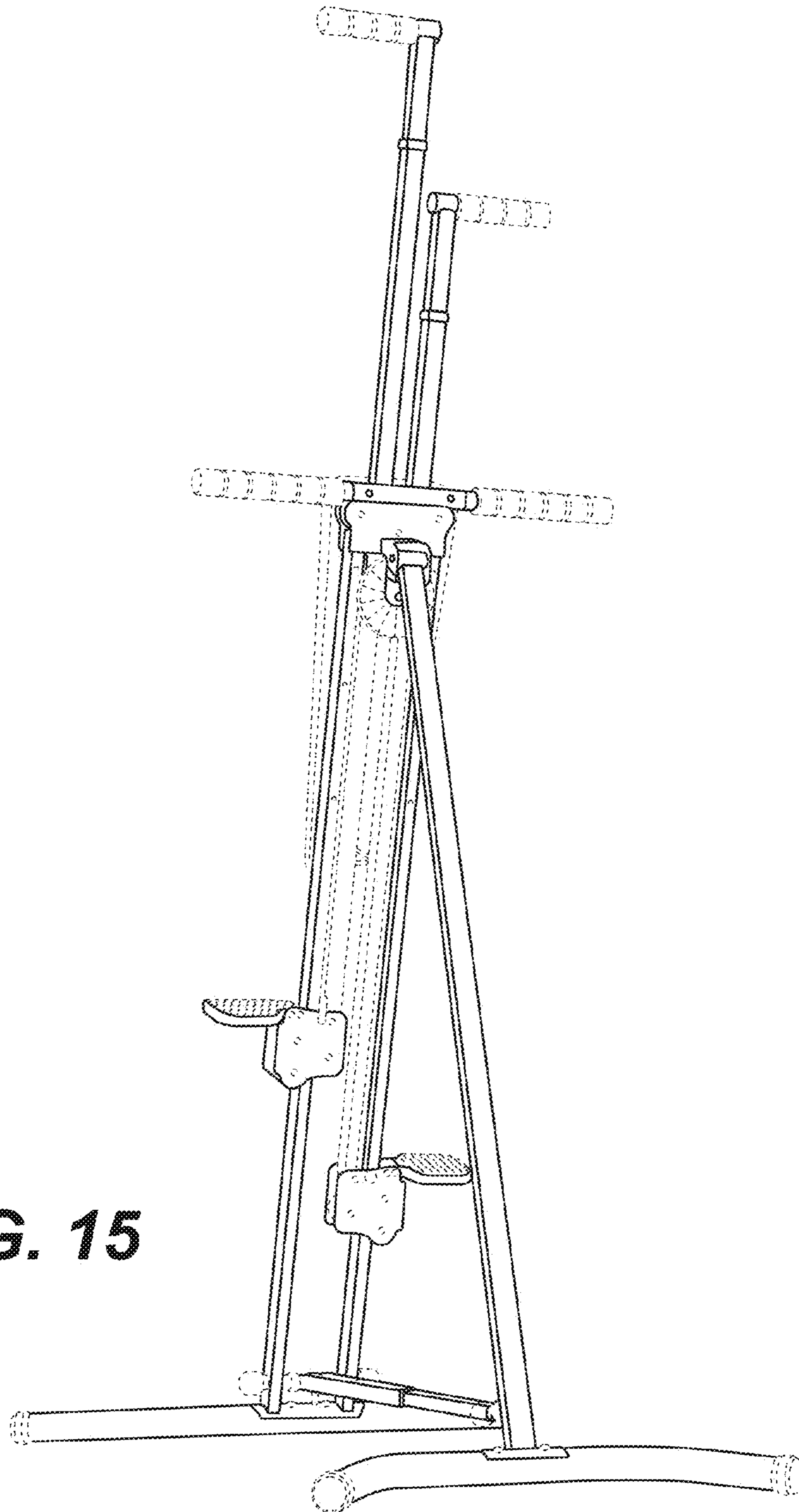
**FIG. 12**



**FIG. 13**

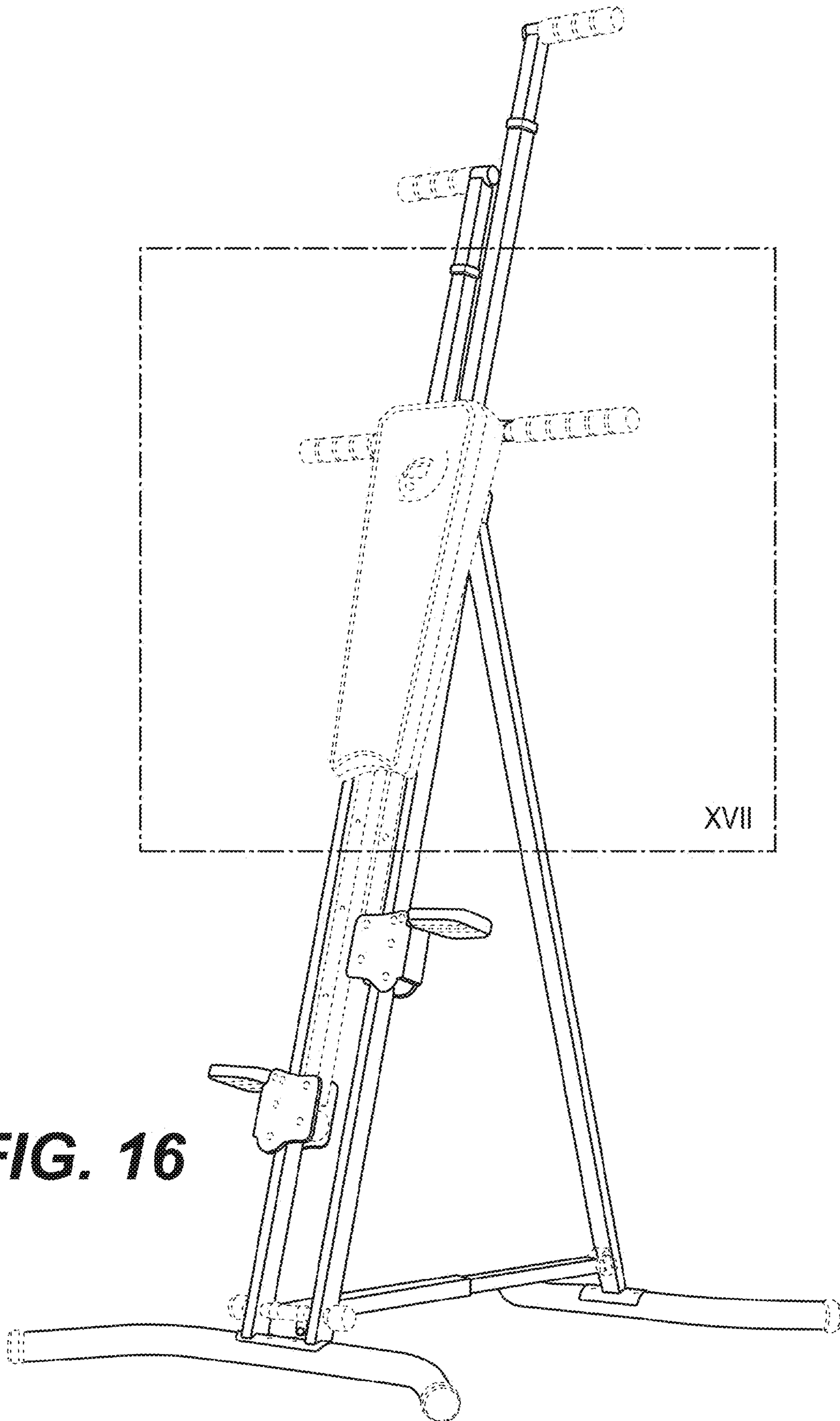


**FIG. 14**

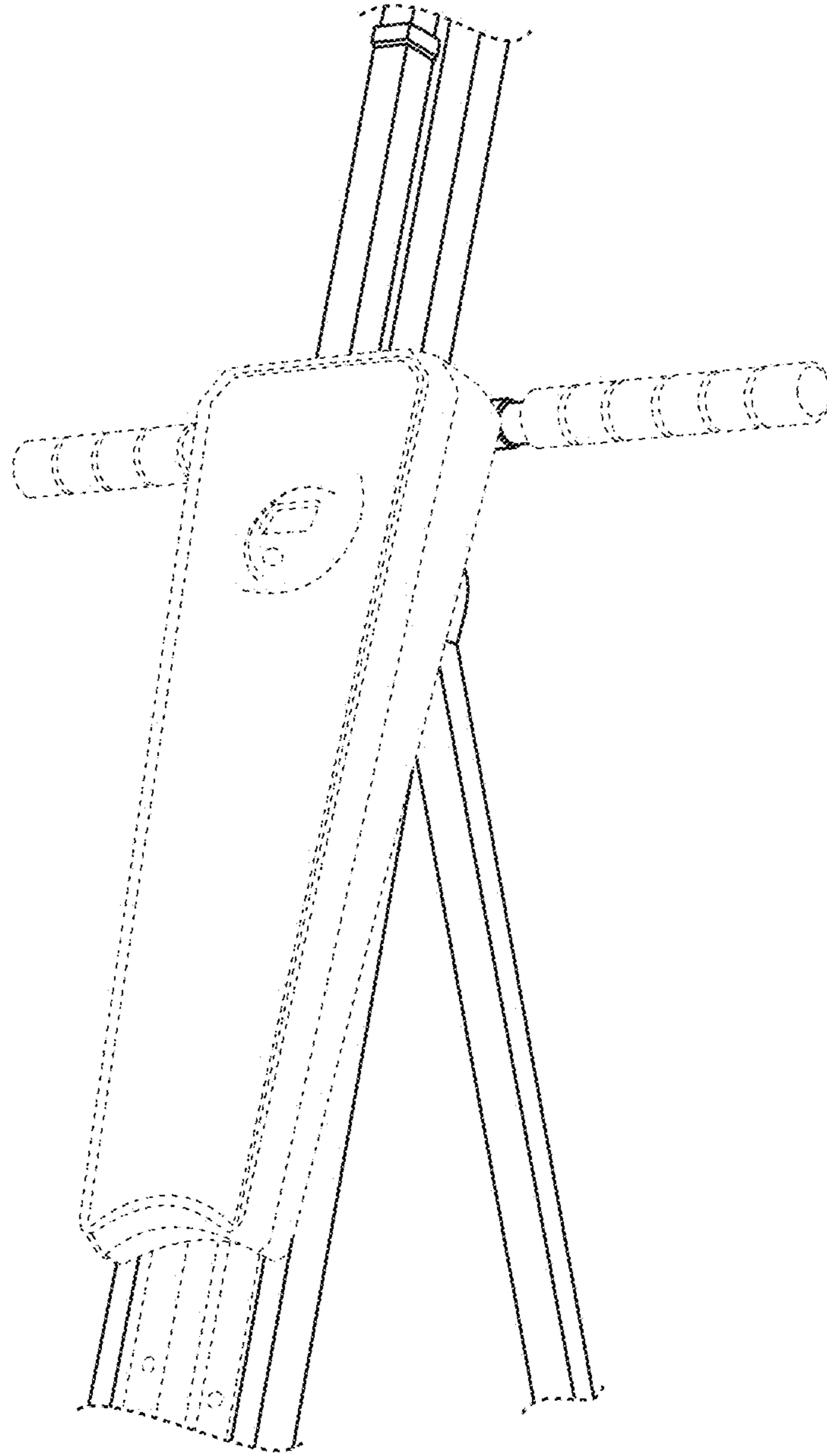


**FIG. 15**





**FIG. 16**



**FIG. 17**