



US00D759168S

(12) **United States Design Patent Stack**

(10) **Patent No.:** **US D759,168 S**  
(45) **Date of Patent:** **\*\* Jun. 14, 2016**

- (54) **ELASTIC BAND LAUNCHER**
- (71) Applicant: **Super Impulse USA, LLC**, Bristol, PA (US)
- (72) Inventor: **Benjamin A. Stack**, Broomall, PA (US)
- (73) Assignee: **Super Impulse USA, LLC**, Bristol, PA (US)
- (\*\*) Term: **15 Years**
- (21) Appl. No.: **29/541,298**
- (22) Filed: **Oct. 2, 2015**

- 3,297,012 A \* 1/1967 Kirkland ..... F41B 7/025 124/18
- 3,468,296 A \* 9/1969 Duval ..... F41B 7/025 124/19
- 3,536,055 A \* 10/1970 Endo ..... F41B 7/025 124/18
- D247,986 S \* 5/1978 Clyde ..... D21/574
- D274,922 S \* 7/1984 Smith ..... D21/574
- 4,554,904 A \* 11/1985 Endo ..... F41B 7/025 124/18
- D698,873 S \* 2/2014 Overlie ..... D21/574

\* cited by examiner

*Primary Examiner* — Cynthia M Chin

(74) *Attorney, Agent, or Firm* — Michael G. Crilly, Esquire

**Related U.S. Application Data**

- (63) Continuation-in-part of application No. 29/525,567, filed on Apr. 30, 2015.
- (51) **LOC (10) Cl.** ..... **21-01**
- (52) **U.S. Cl.**  
USPC ..... **D21/570**
- (58) **Field of Classification Search**  
USPC ..... D21/567, 570, 573, 574; D22/100, D22/104–106; 124/18, 19, 21, 22  
CPC ..... F41B 7/02; F41B 7/025; F41B 7/08  
See application file for complete search history.

**References Cited**

**U.S. PATENT DOCUMENTS**

- 2,535,891 A \* 12/1950 Bozarth ..... F41B 7/025 124/18
- 2,741,238 A \* 4/1956 Arnold ..... F41B 7/025 124/19

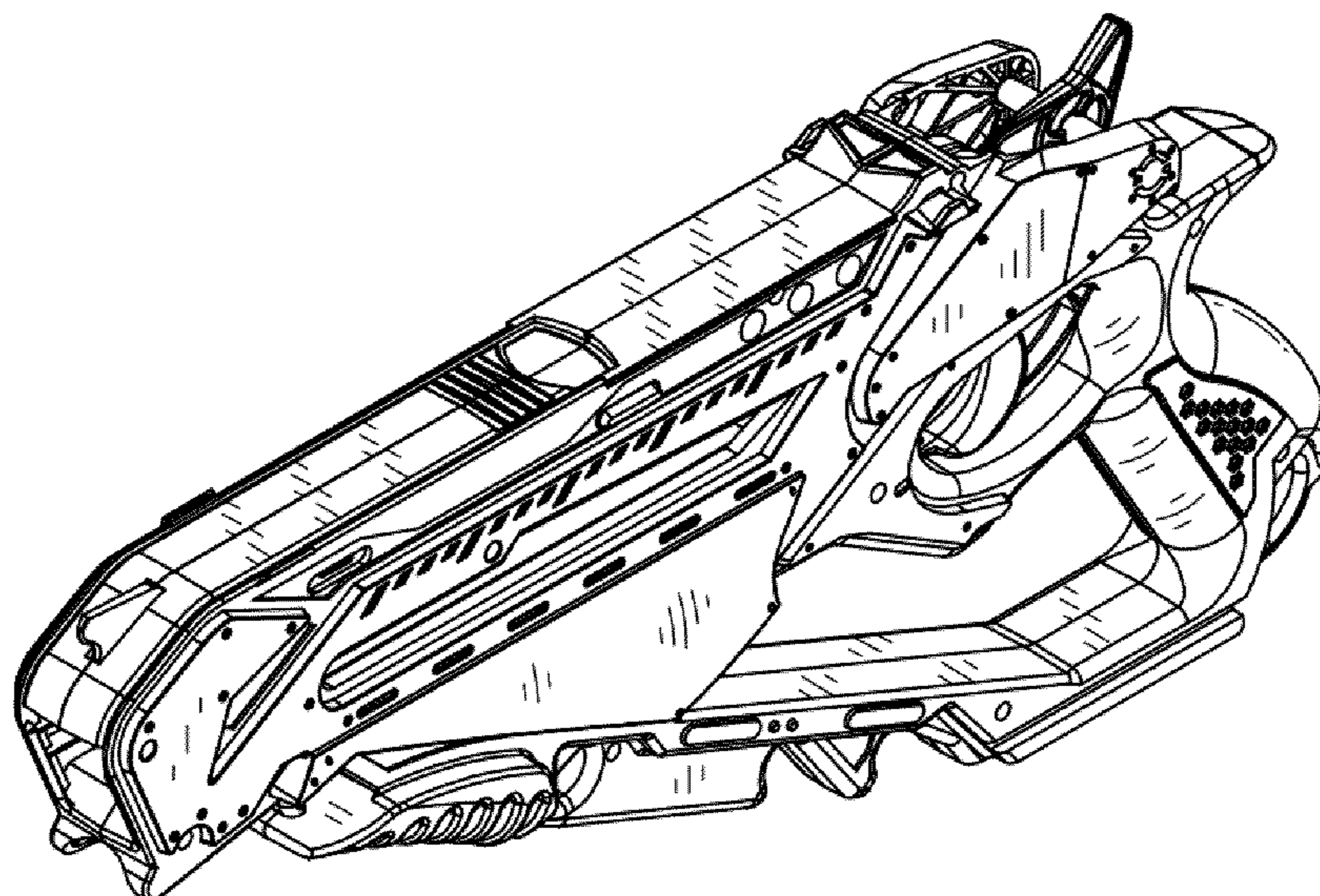
(57) **CLAIM**

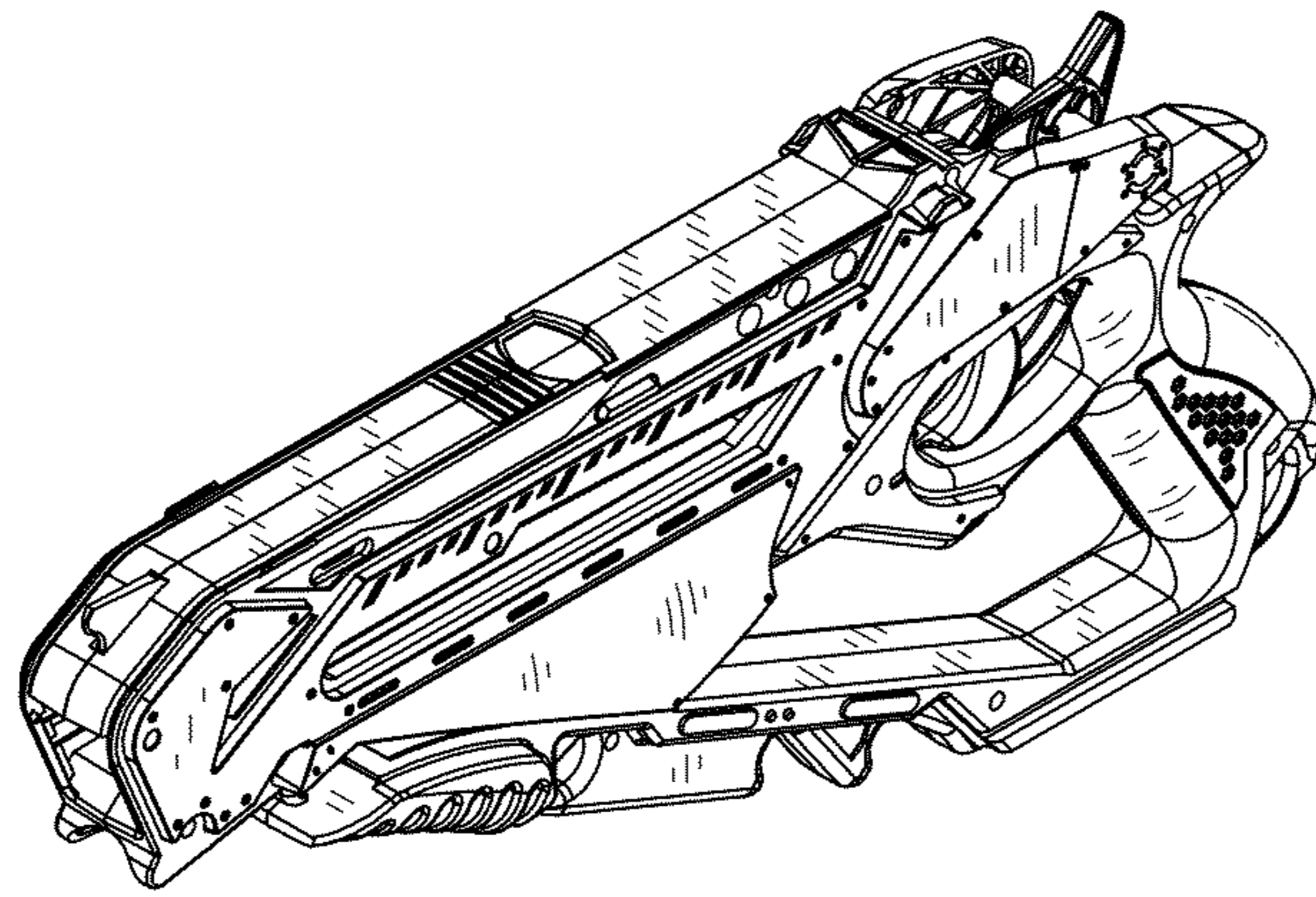
The ornamental design for an elastic band launcher, as shown and described.

**DESCRIPTION**

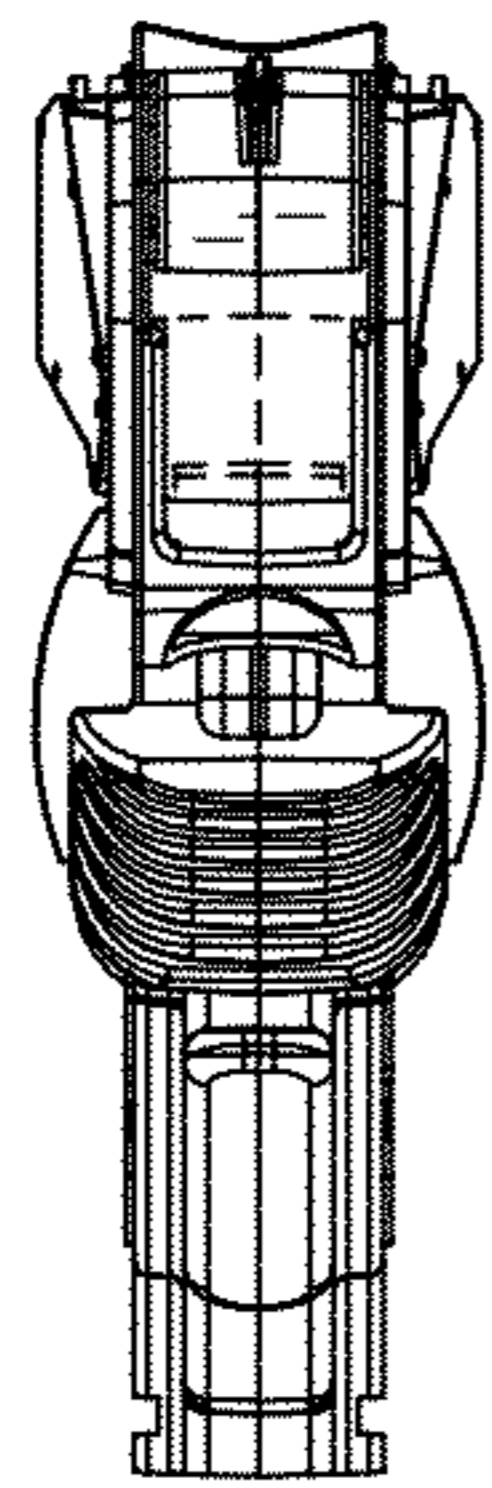
FIG. 1 is a perspective view of an elastic band launcher showing my new design;  
 FIG. 2 is a front view of the elastic band launcher of FIG. 1;  
 FIG. 3 is a rear view of the elastic band launcher of FIG. 1;  
 FIG. 4 is a side view of the elastic band launcher of FIG. 1, the opposite side being a mirror image;  
 FIG. 5 is a top view of the elastic band launcher of FIG. 1; and,  
 FIG. 6 is a bottom view of the elastic band launcher of FIG. 1.  
 The broken lines represent portions of the article that form no part of the claim.

**1 Claim, 2 Drawing Sheets**

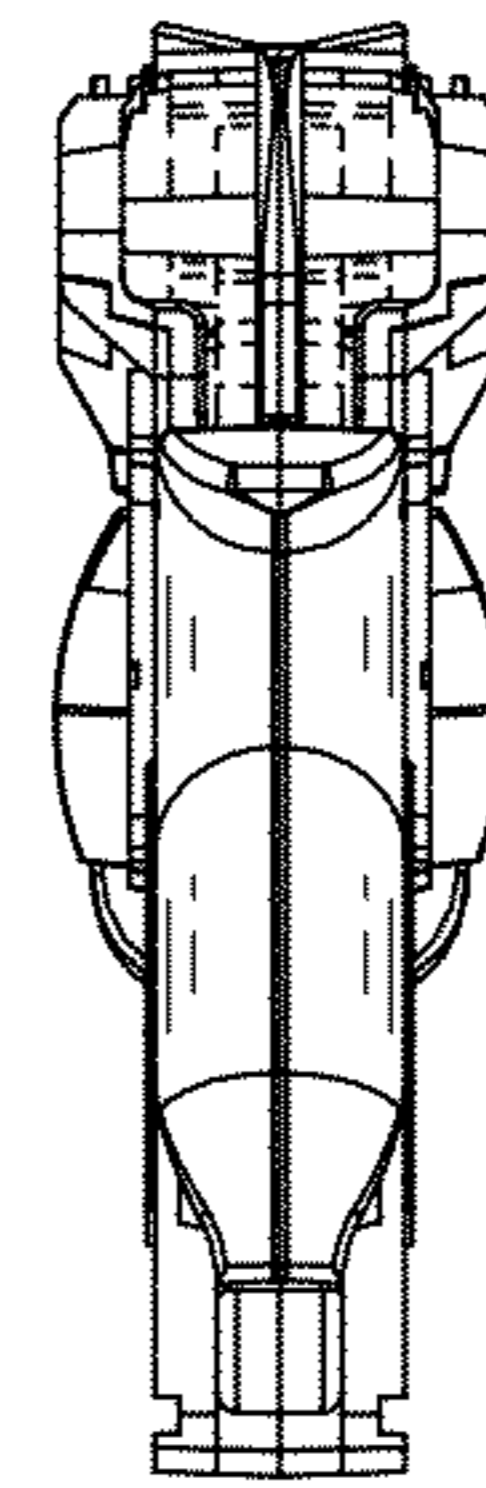




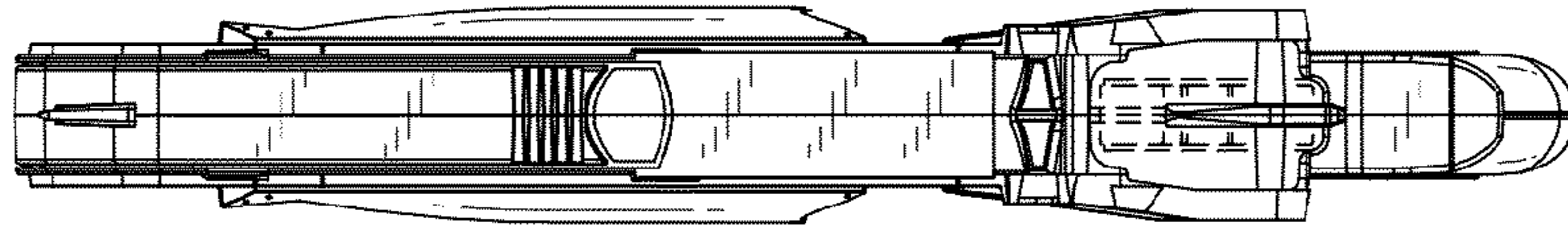
*Fig. 1*



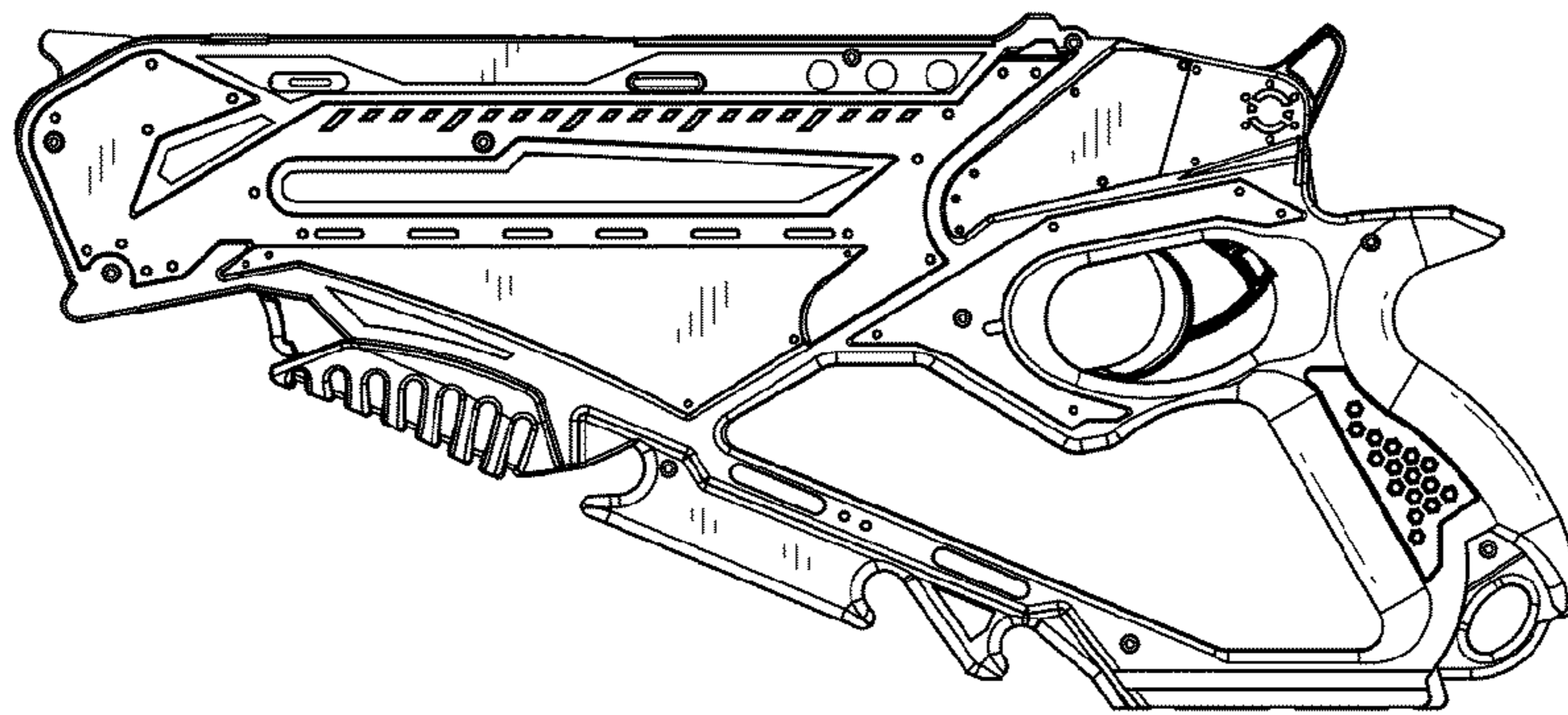
*Fig. 2*



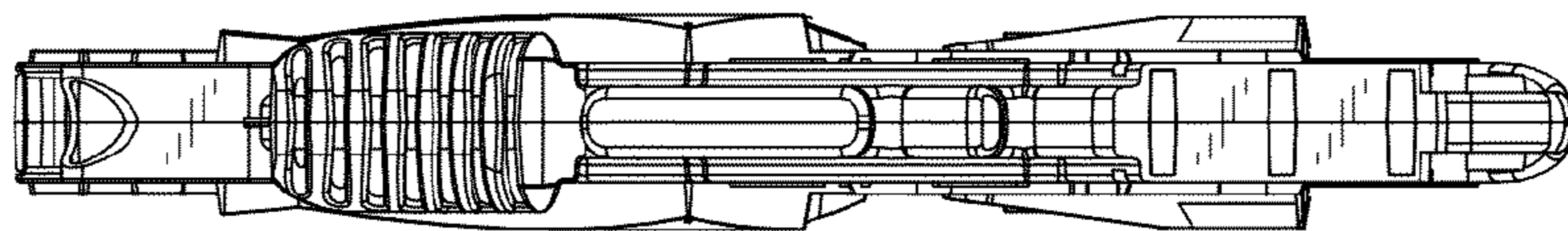
*Fig. 3*



*Fig. 5*



*Fig. 4*



*Fig. 6*