



US00D759165S

(12) **United States Design Patent**
St. Louis et al.

(10) **Patent No.:** **US D759,165 S**
(45) **Date of Patent:** **** Jun. 14, 2016**

- (54) **STRING AND DISC TOY**
- (71) Applicants: **Genetta St. Louis**, Burlington, NJ (US);
Duane Truskolaski, Burlington, NJ (US)
- (72) Inventors: **Genetta St. Louis**, Burlington, NJ (US);
Duane Truskolaski, Burlington, NJ (US)
- (**) Term: **14 Years**
- (21) Appl. No.: **29/515,277**
- (22) Filed: **Jan. 21, 2015**

Related U.S. Application Data

- (63) Continuation-in-part of application No. 13/452,187,
filed on Apr. 20, 2012, now abandoned.
- (51) **LOC (10) Cl.** **21-01**
- (52) **U.S. Cl.**
USPC **D21/463**
- (58) **Field of Classification Search**
USPC D21/455-464, 662, 679, 687, 692
CPC A63H 1/00; A63H 1/02; A63H 1/04;
A63H 1/06; A63H 1/10; A63H 1/20; A63H
1/22; A63H 1/24; A63H 1/26; A63H 1/28;
A63H 1/32; A63H 33/00; A63H 33/02;
A63B 21/22; A63B 21/222; A63B 21/225;
A63B 21/227
See application file for complete search history.

References Cited

U.S. PATENT DOCUMENTS

- 676,125 A * 6/1901 Falardeau A63H 1/32
446/214
- 922,775 A * 5/1909 King A63H 1/32
446/254
- 1,866,226 A 7/1932 Sargent
- 2,039,609 A 5/1936 Savich
- 2,117,133 A * 5/1938 Bell A63H 1/32
446/214
- 2,397,674 A 4/1946 Loomis
- 2,857,163 A 10/1958 Lykes
- 2,992,510 A 7/1961 Grangood
- D200,421 S * 2/1965 Ruf 446/253

- 3,246,424 A 4/1966 Gregory
- 3,501,860 A 3/1970 Bandy
- 3,516,195 A 6/1970 Batley
- D219,464 S * 12/1970 Pearce D21/463
- 3,737,162 A * 6/1973 Wood A63H 1/32
446/253
- 4,189,862 A 2/1980 Lopez
- 4,232,475 A * 11/1980 Bauer A63H 5/00
446/214
- 4,911,447 A * 3/1990 Pickard A63F 5/04
273/141 R
- 4,953,854 A * 9/1990 Pizur, Sr. A63B 21/227
482/110
- 4,986,790 A 1/1991 Boury
- D333,849 S * 3/1993 Gardner D21/463
- 5,512,028 A * 4/1996 Sparks, III A63B 21/0004
446/253
- 6,120,342 A 9/2000 Chan
- 6,482,137 B2 11/2002 Walker
- 6,776,680 B2 8/2004 Chow
- 6,802,758 B2 10/2004 Somers

* cited by examiner

Primary Examiner — Catherine Tuttle

(74) *Attorney, Agent, or Firm* — Robert C. Montgomery;
Montgomery Patent & Design

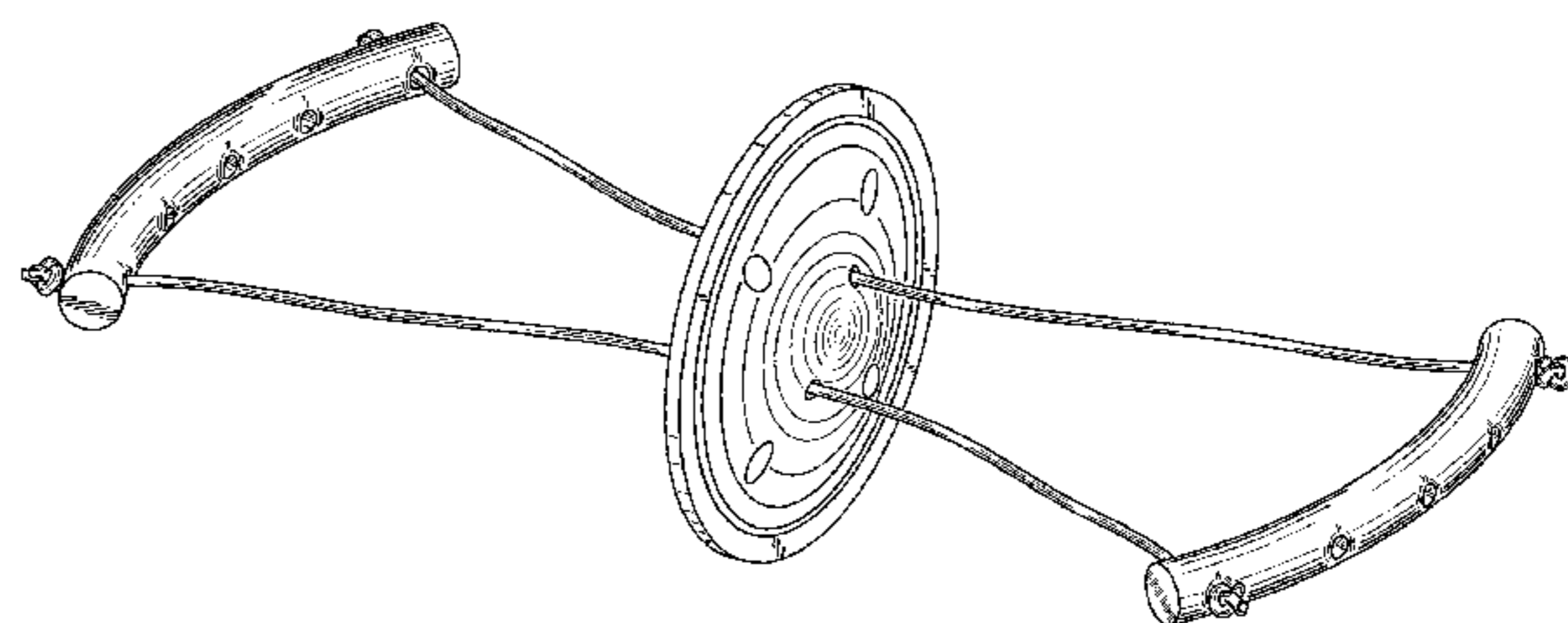
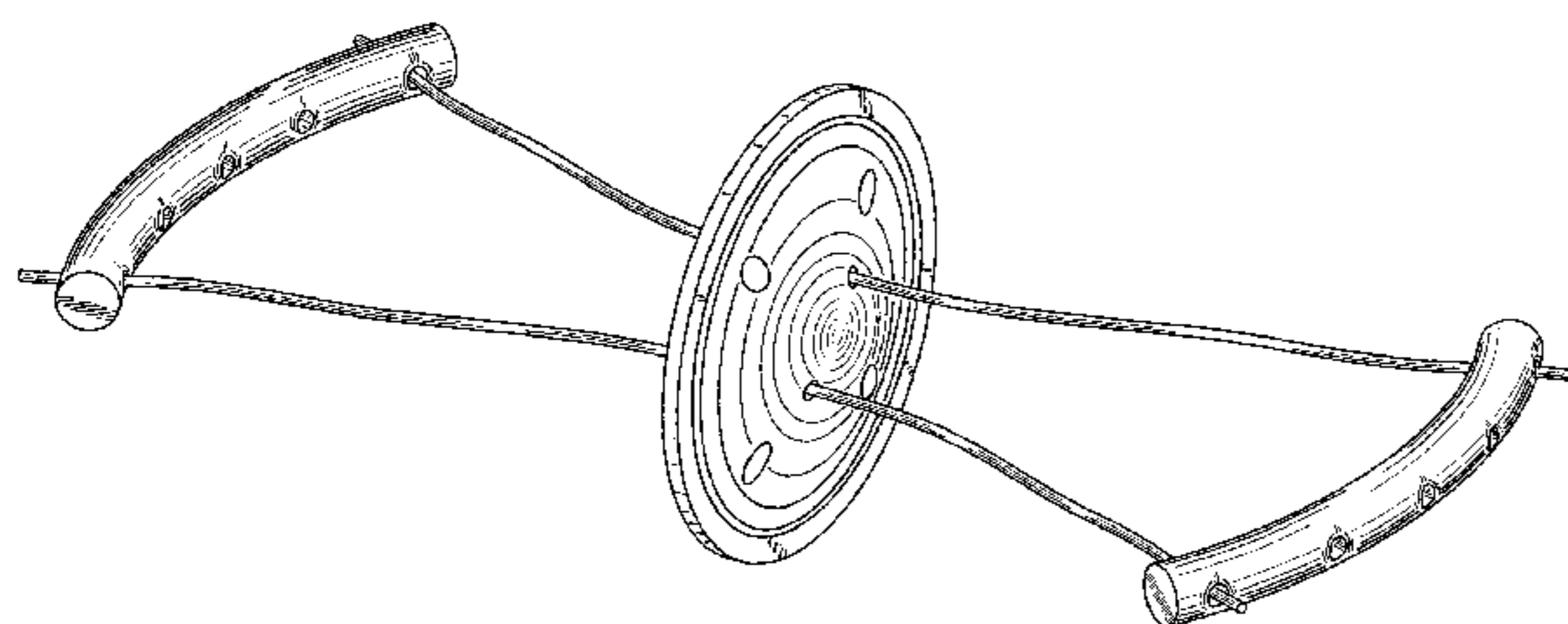
(57) **CLAIM**

The ornamental design for a string and disc toy, as shown and described.

DESCRIPTION

FIG. 1 is a perspective front view of the string and disc toy, showing our new design;
 FIG. 2 is a perspective back view thereof;
 FIG. 3 is a front view with the back view being a mirror image thereof;
 FIG. 4 is a right side view thereof;
 FIG. 5 is a left side view thereof;
 FIG. 6 is a top view thereof;
 FIG. 7 is a bottom view thereof; and,
 FIG. 8 is a perspective front view showing an alternate embodiment of the design wherein knots are included.
 The dashed lines are intended to show boundary areas and form no part of the claimed design.
 The appearance within the unshaded oval areas forms no part of the claimed design.

1 Claim, 7 Drawing Sheets



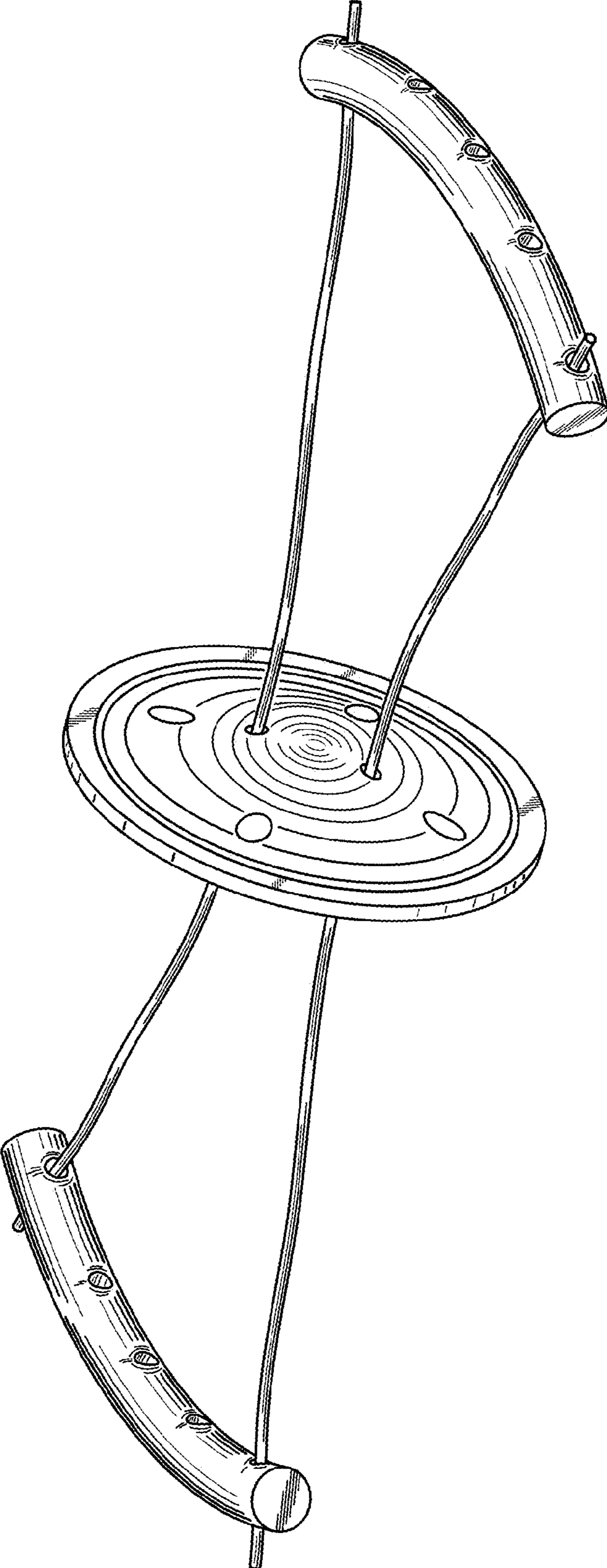


Fig. 1

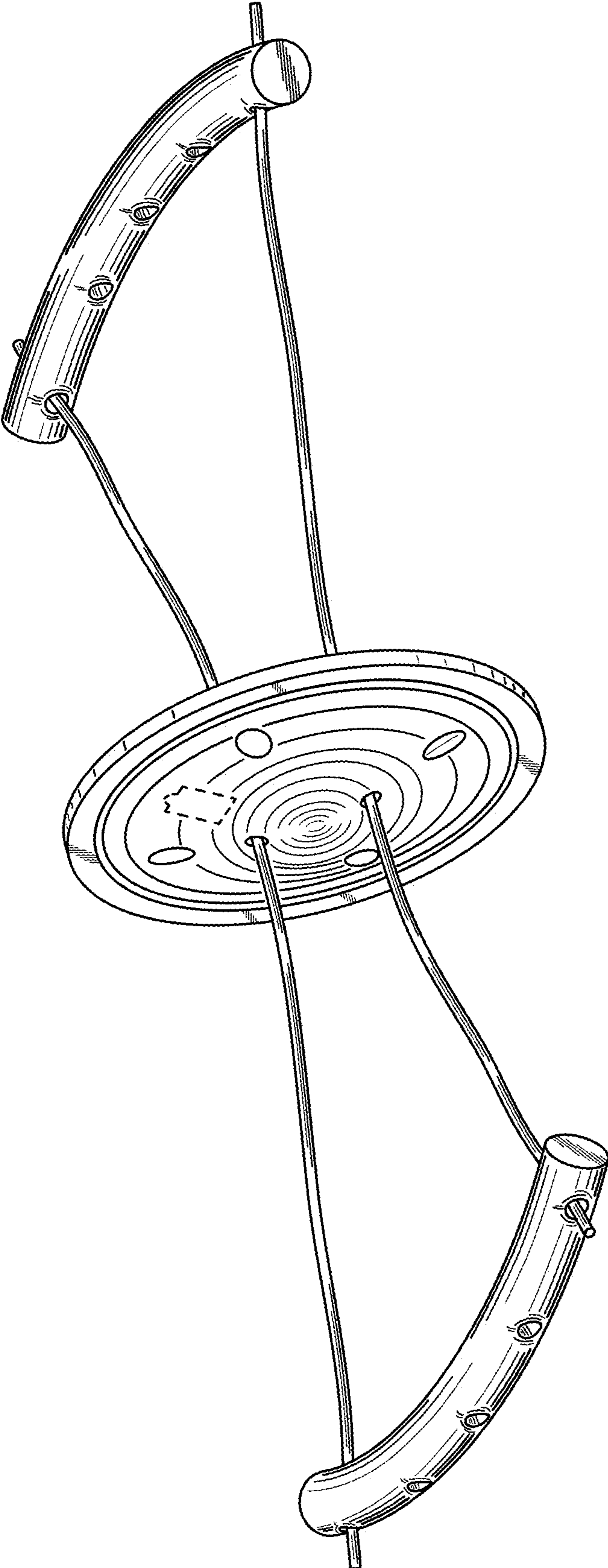


Fig. 2

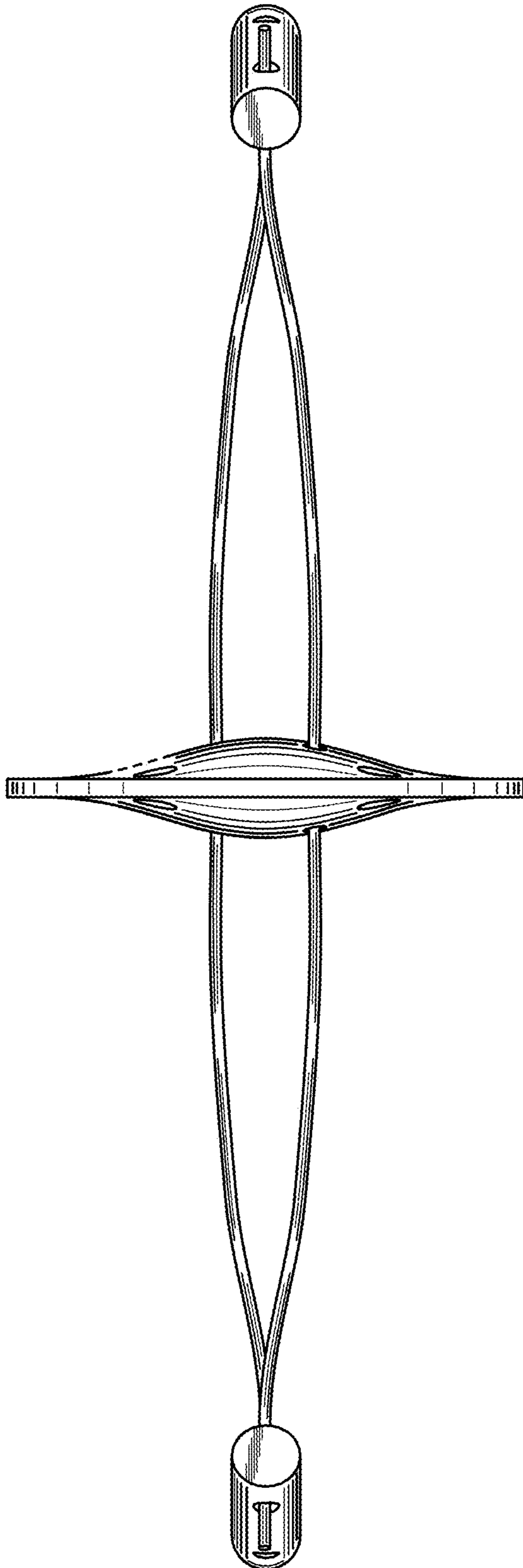


Fig. 3

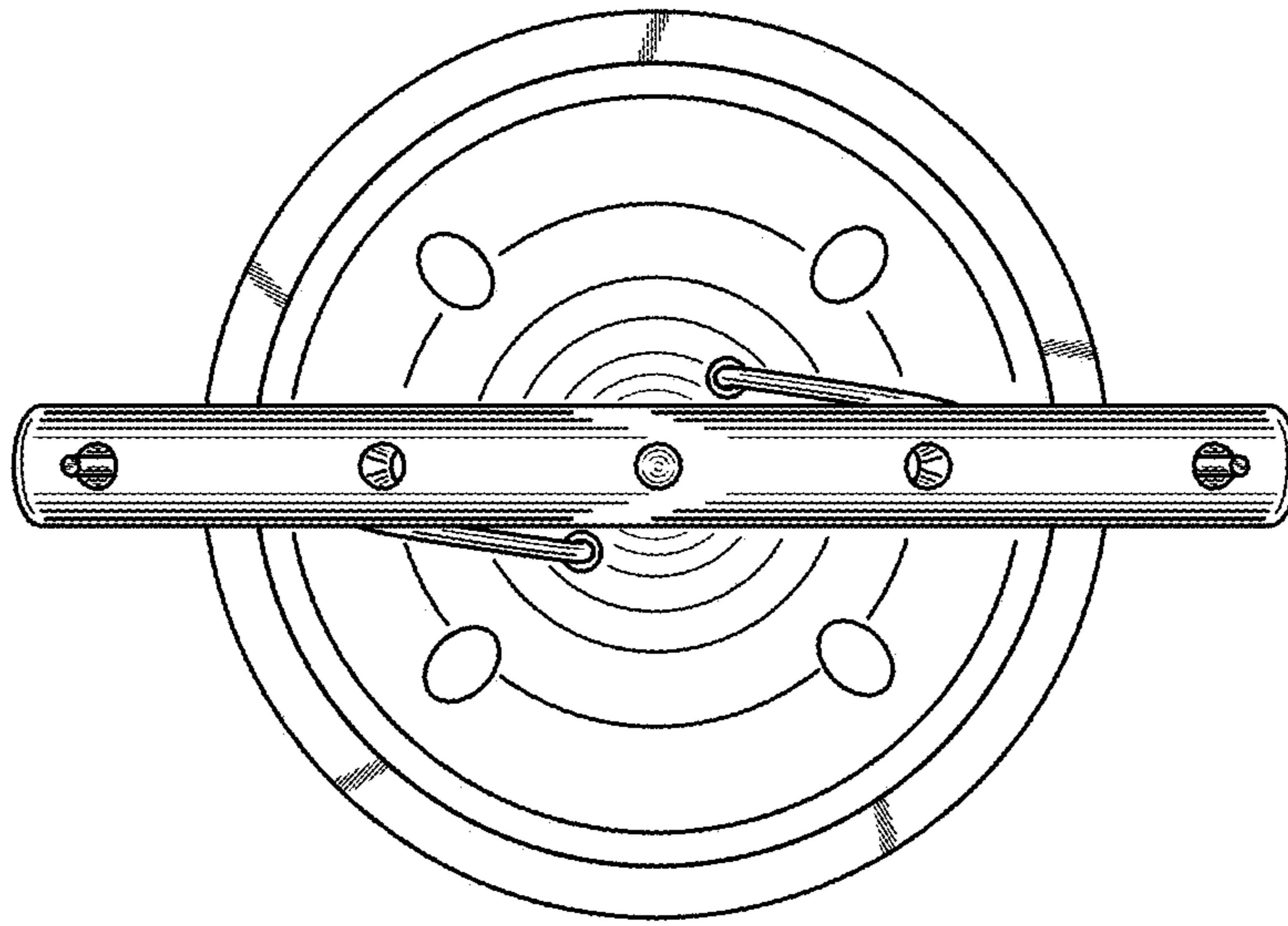


Fig. 4

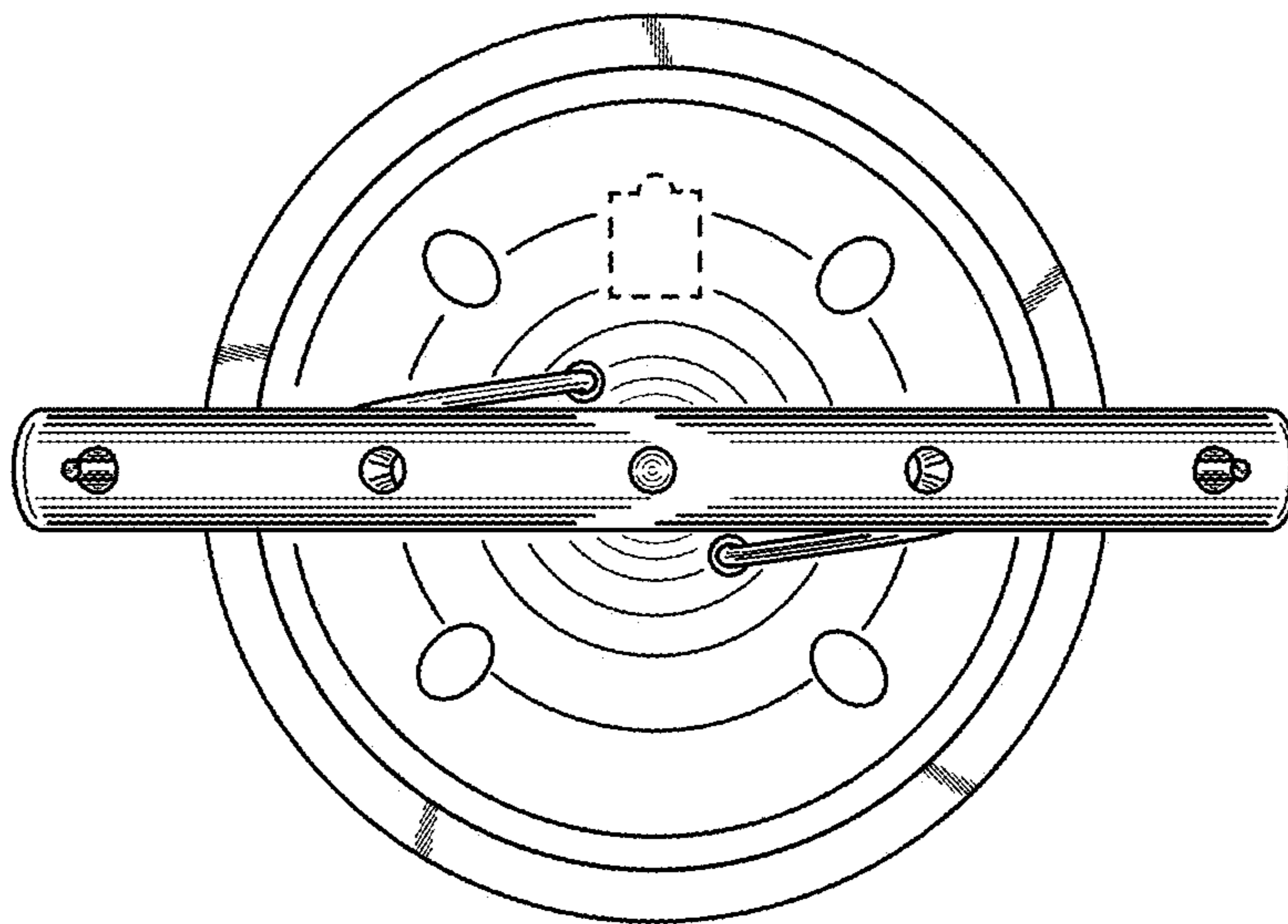


Fig. 5

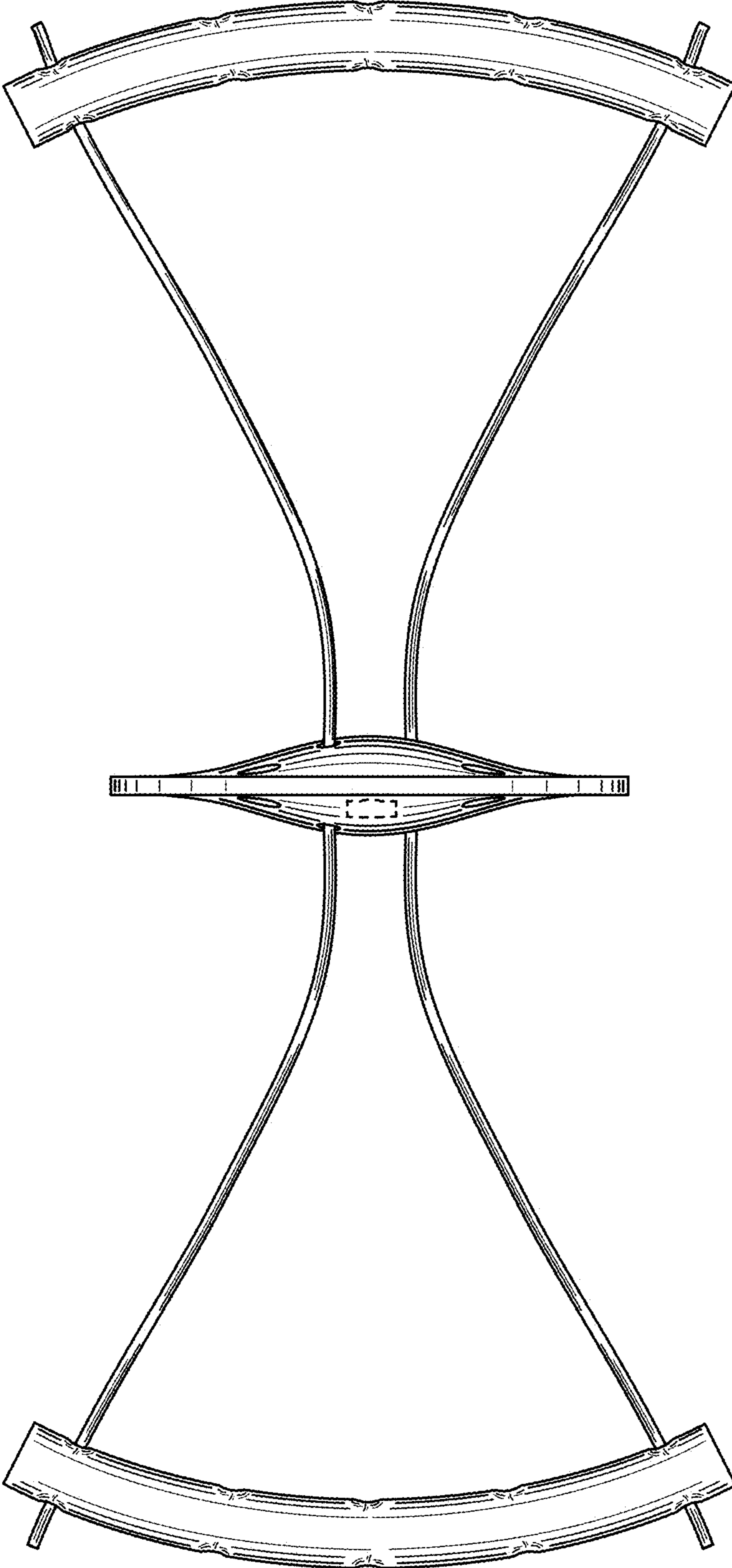


Fig. 6

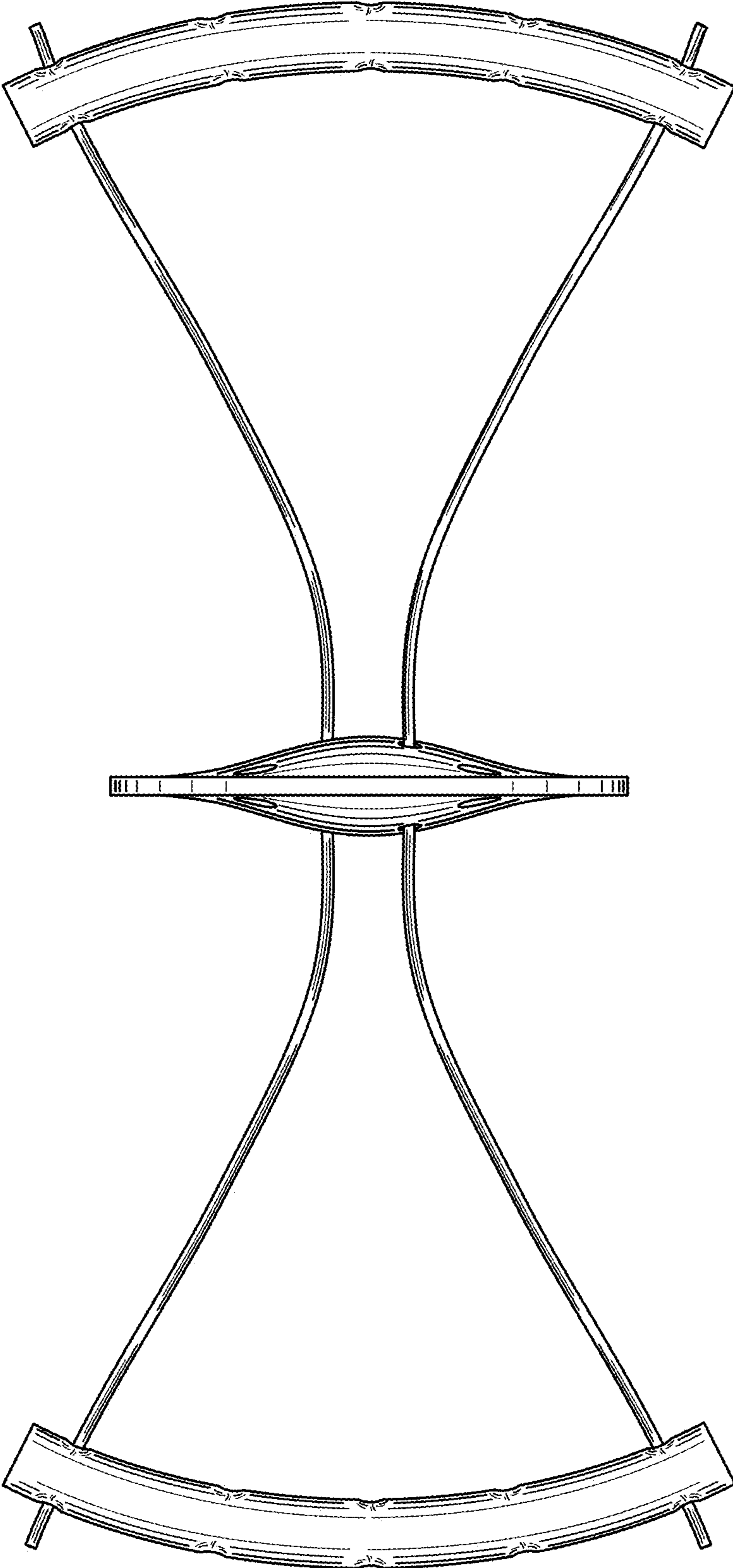


Fig. 7

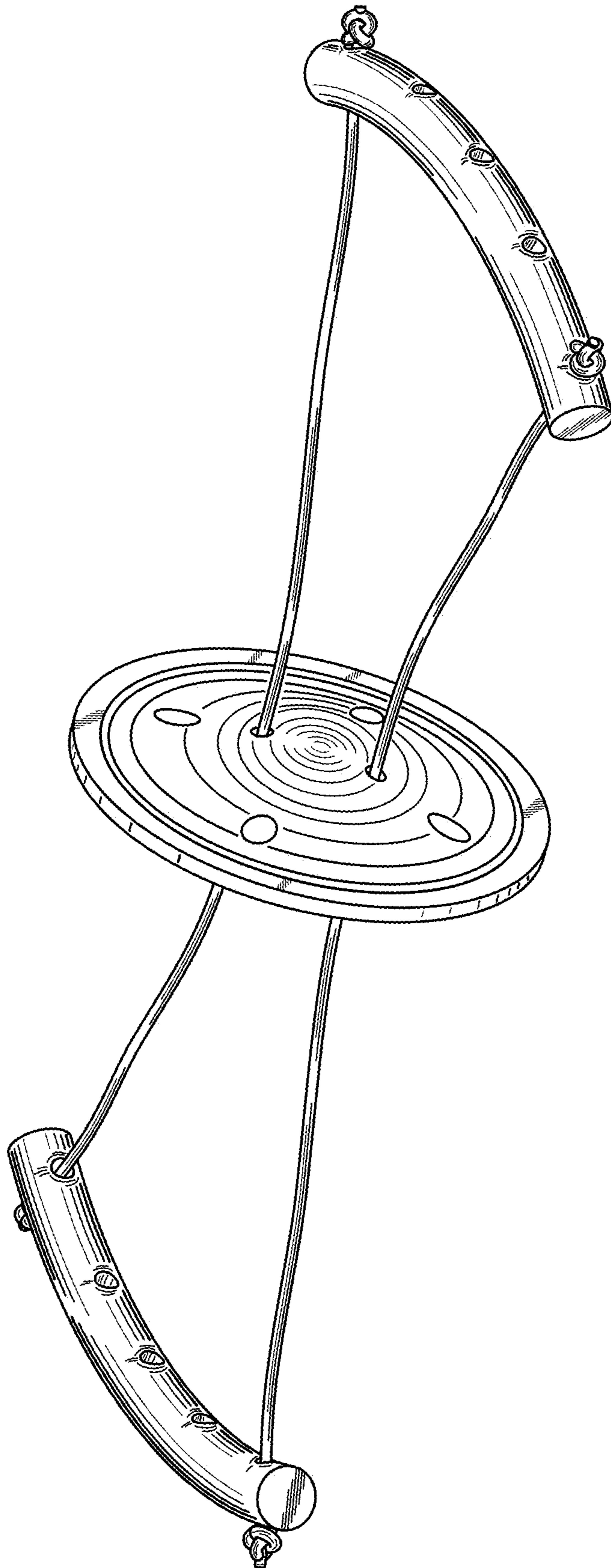


Fig. 8