



US00D759164S

(12) **United States Design Patent**
Bei

(10) **Patent No.:** **US D759,164 S**
(45) **Date of Patent:** **** Jun. 14, 2016**

(54) **LAUNCHER FOR TOY AERIAL PROJECTILES**

(71) Applicant: **SZ DJI TECHNOLOGY CO., LTD.**,
Shenzhen (CN)

(72) Inventor: **Shi-Meng Bei**, Shenzhen (CN)

(73) Assignee: **SZ DJI TECHNOLOGY CO., LTD.**,
Shenzhen (CN)

(**) Term: **14 Years**

(21) Appl. No.: **29/524,870**

(22) Filed: **Apr. 24, 2015**

(51) **LOC (10) Cl.** **21-01**

(52) **U.S. Cl.**
USPC **D21/454**

(58) **Field of Classification Search**
USPC D12/16.1, 319, 325, 326, 327, 328, 329,
D12/330, 333, 344, 345; D21/301, 437,
D21/441, 443, 446, 447, 448, 453, 454, 461
CPC B64C 2201/146; B64C 2201/141;
B64C 2201/126; B64C 2201/021; B64C 29/00
See application file for complete search history.

(56) **References Cited**

U.S. PATENT DOCUMENTS

D248,988 S * 8/1978 Goldfarb D21/454
D363,092 S * 10/1995 Hung D14/412
D390,284 S * 2/1998 Mak D21/454
D550,781 S * 9/2007 Laurienzo D21/454
D554,201 S * 10/2007 Vetuskey D21/454
8,671,926 B1 * 3/2014 Mahlstedt F41B 11/89
124/65

D738,962 S * 9/2015 Handy D21/454
2002/0098768 A1 * 7/2002 Kuo A63H 27/12
446/39
2015/0204634 A1 * 7/2015 Cummings F41B 7/08
124/20.1

* cited by examiner

Primary Examiner — Robert M Spear

Assistant Examiner — Marissa J Cash

(74) *Attorney, Agent, or Firm* — Novak Druce Connolly
Bove + Quigg LLP

(57) **CLAIM**

The ornamental design of a launcher for toy aerial projectiles,
as shown and described.

DESCRIPTION

FIG. 1 is a perspective view of a launcher for toy aerial
projectiles showing our design.

FIG. 2 is perspective view of the launcher for toy aerial
projectiles of FIG. 1, viewed form a second perspective.

FIG. 3 is a front elevational view of the launcher for toy aerial
projectiles of FIG. 1.

FIG. 4 is a rear elevational view of the launcher for toy aerial
projectiles of FIG. 1.

FIG. 5 is a left-side elevational view of the launcher for toy
aerial projectiles of FIG. 1.

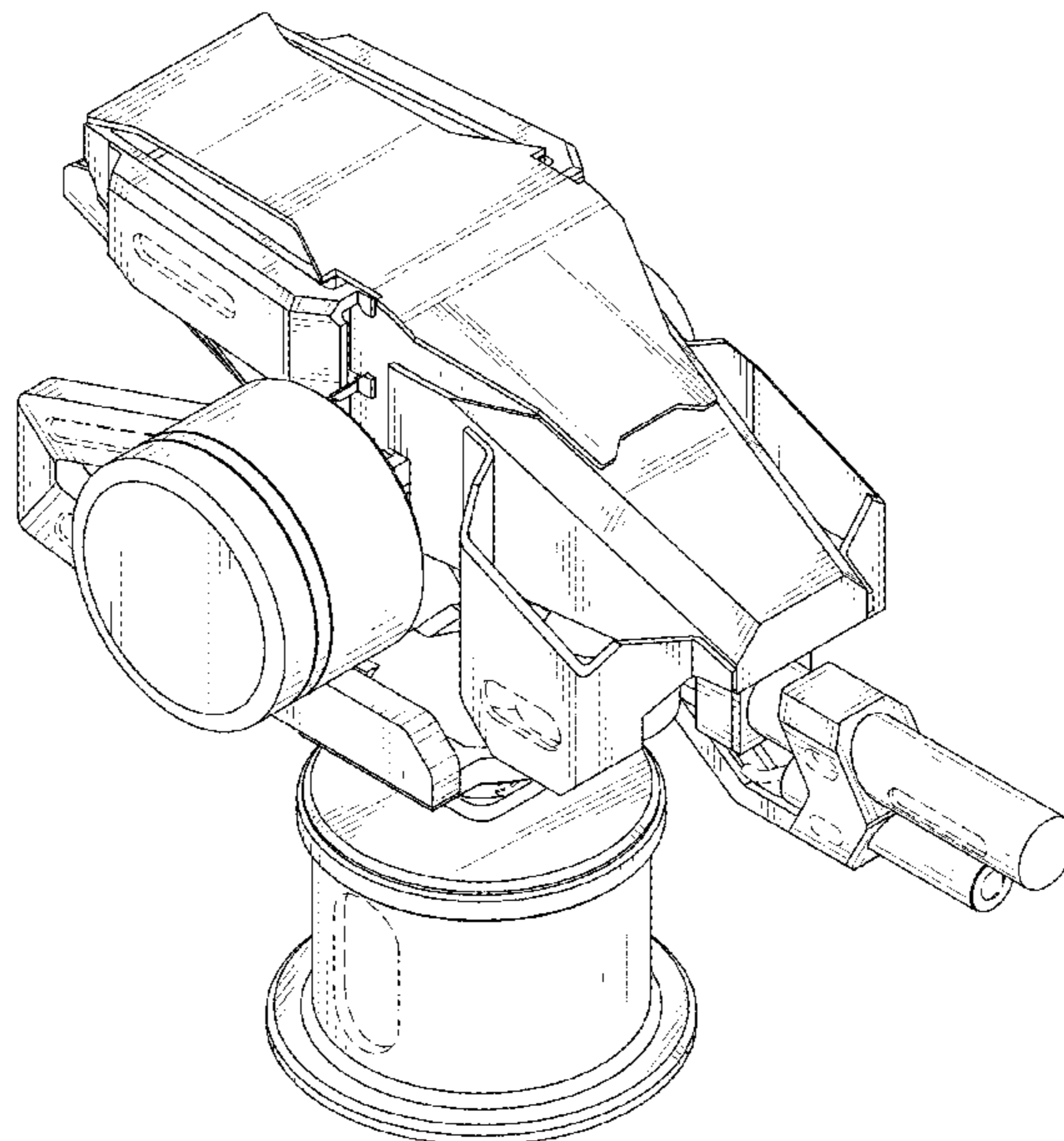
FIG. 6 is a right-side elevational view of the launcher for toy
aerial projectiles of FIG. 1.

FIG. 7 is a top plan view of the launcher for toy aerial pro-
jectiles of FIG. 1; and,

FIG. 8 is a bottom plan view of the launcher for toy aerial
projectiles of FIG. 1.

The broken lines in the drawings represent unclaimed envi-
ronmental subject matter and form no part of the claim.

1 Claim, 8 Drawing Sheets



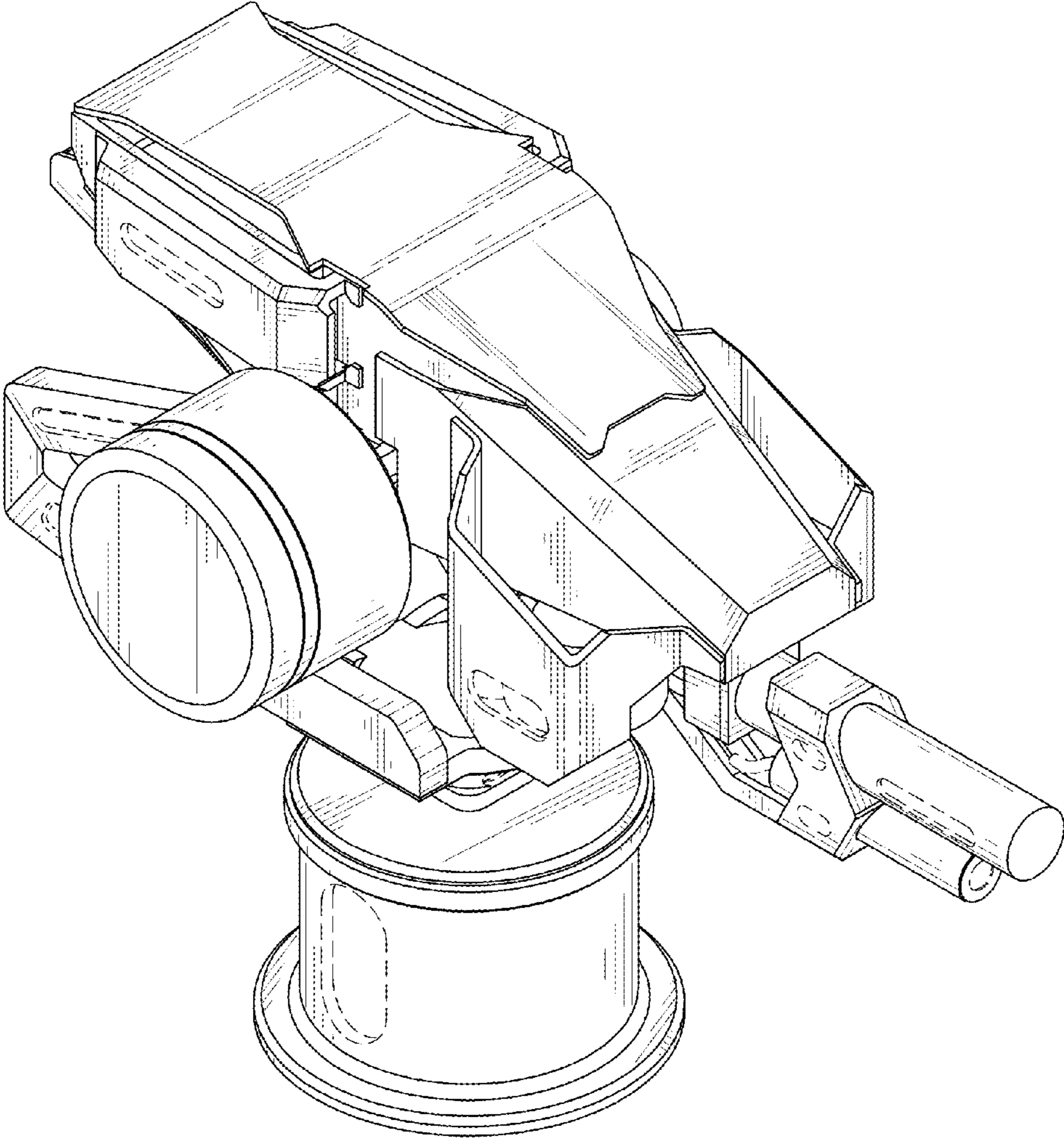


FIG. 1

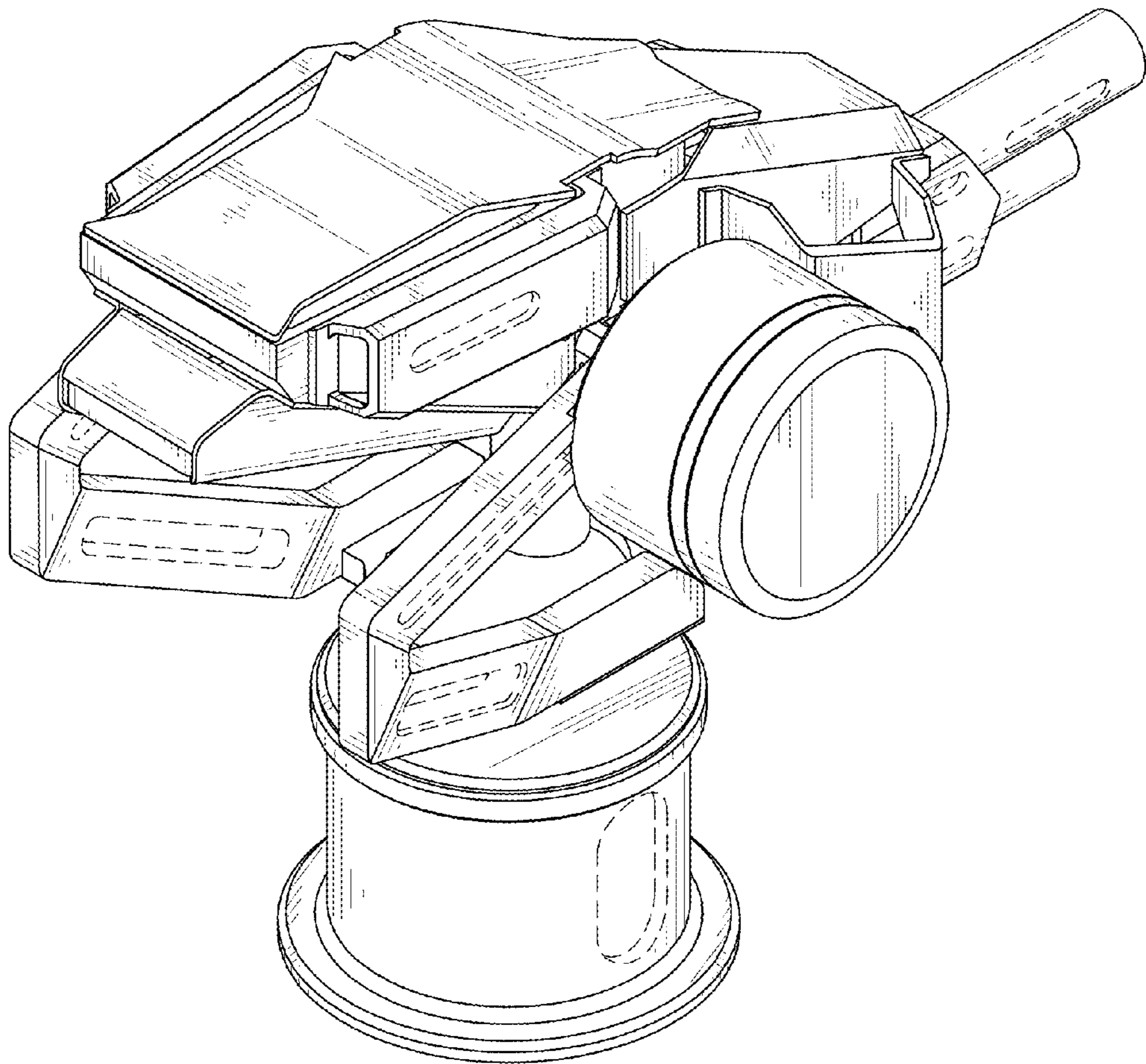


FIG. 2

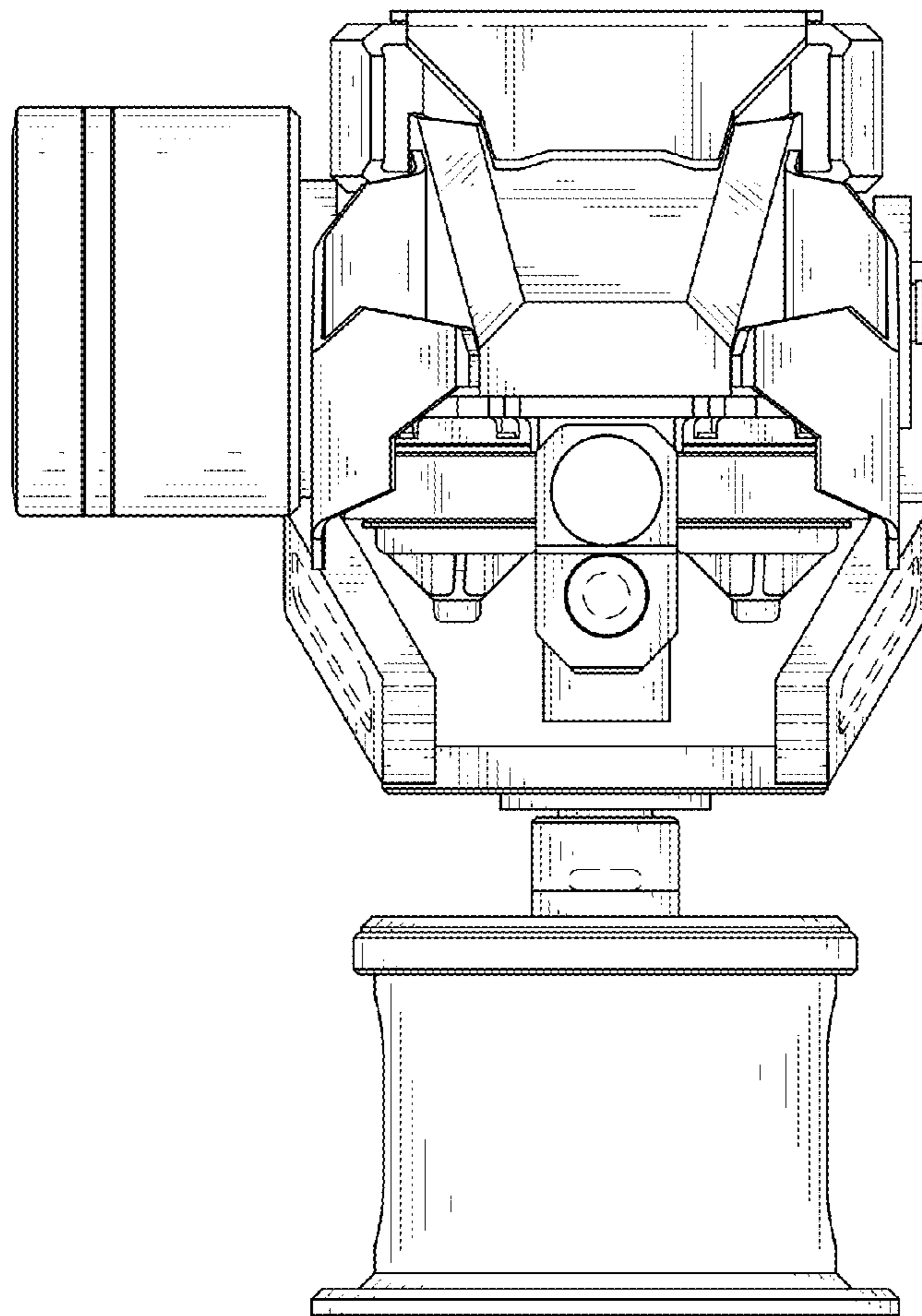


FIG. 3

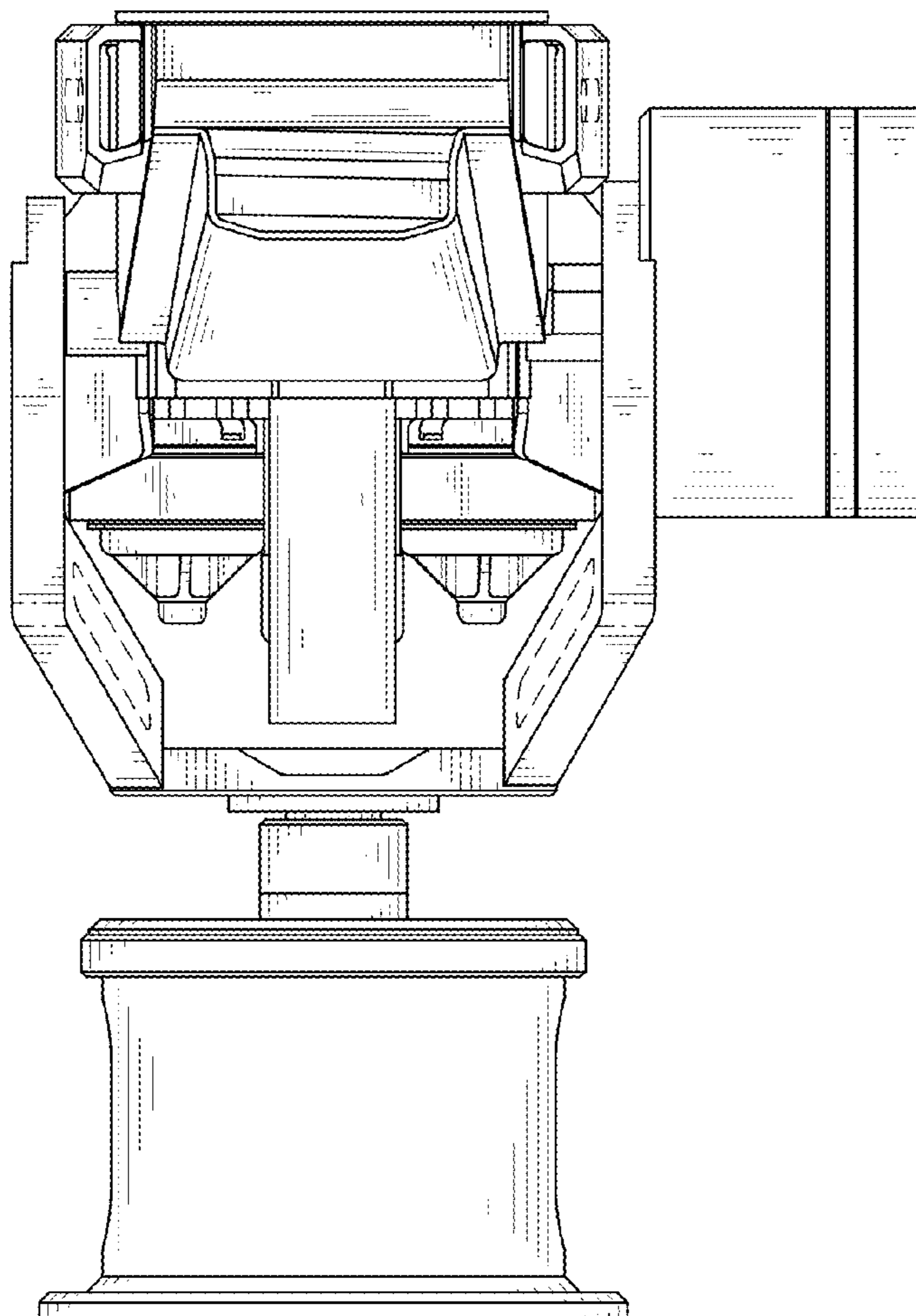


FIG. 4

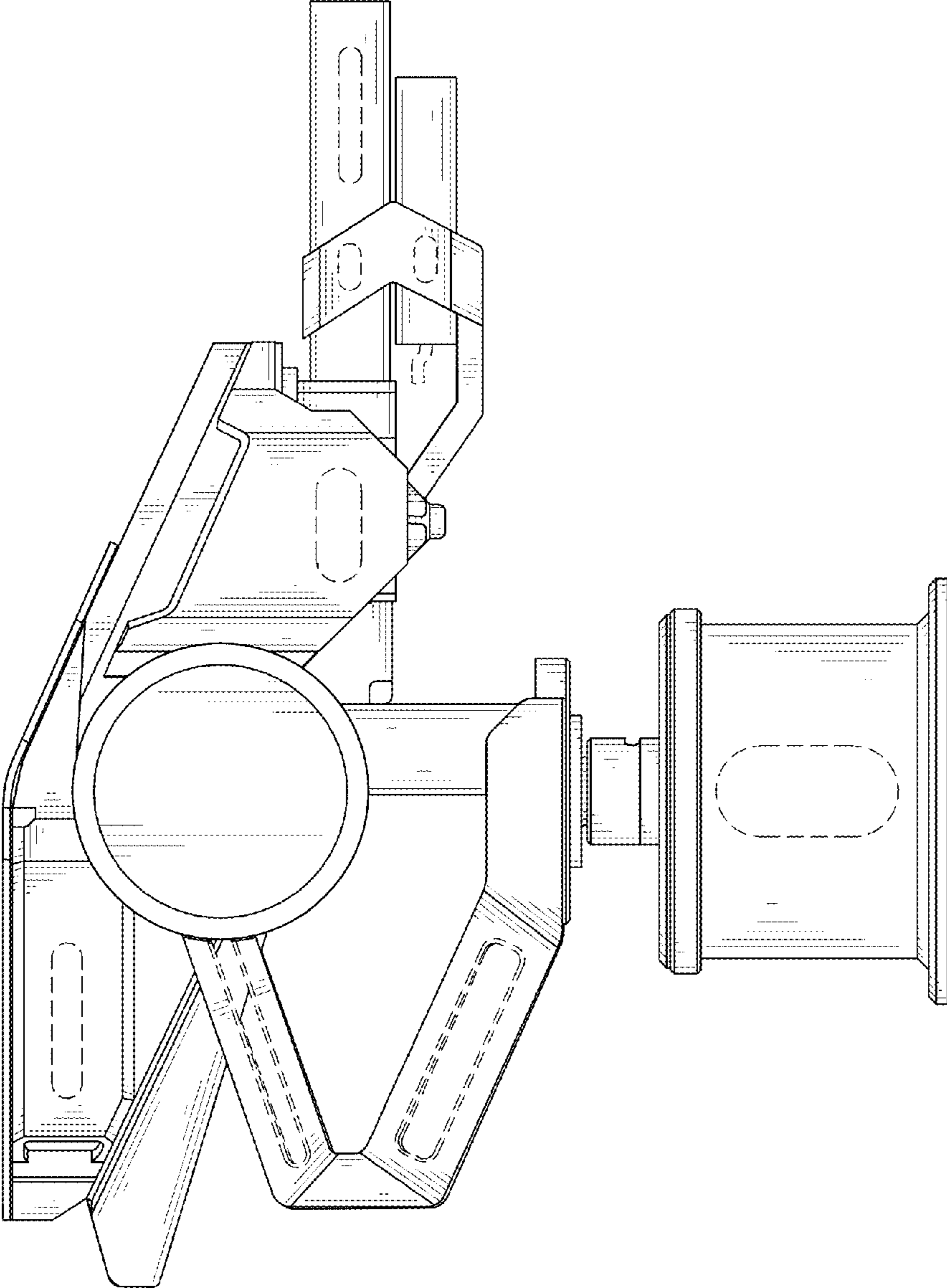


FIG. 5

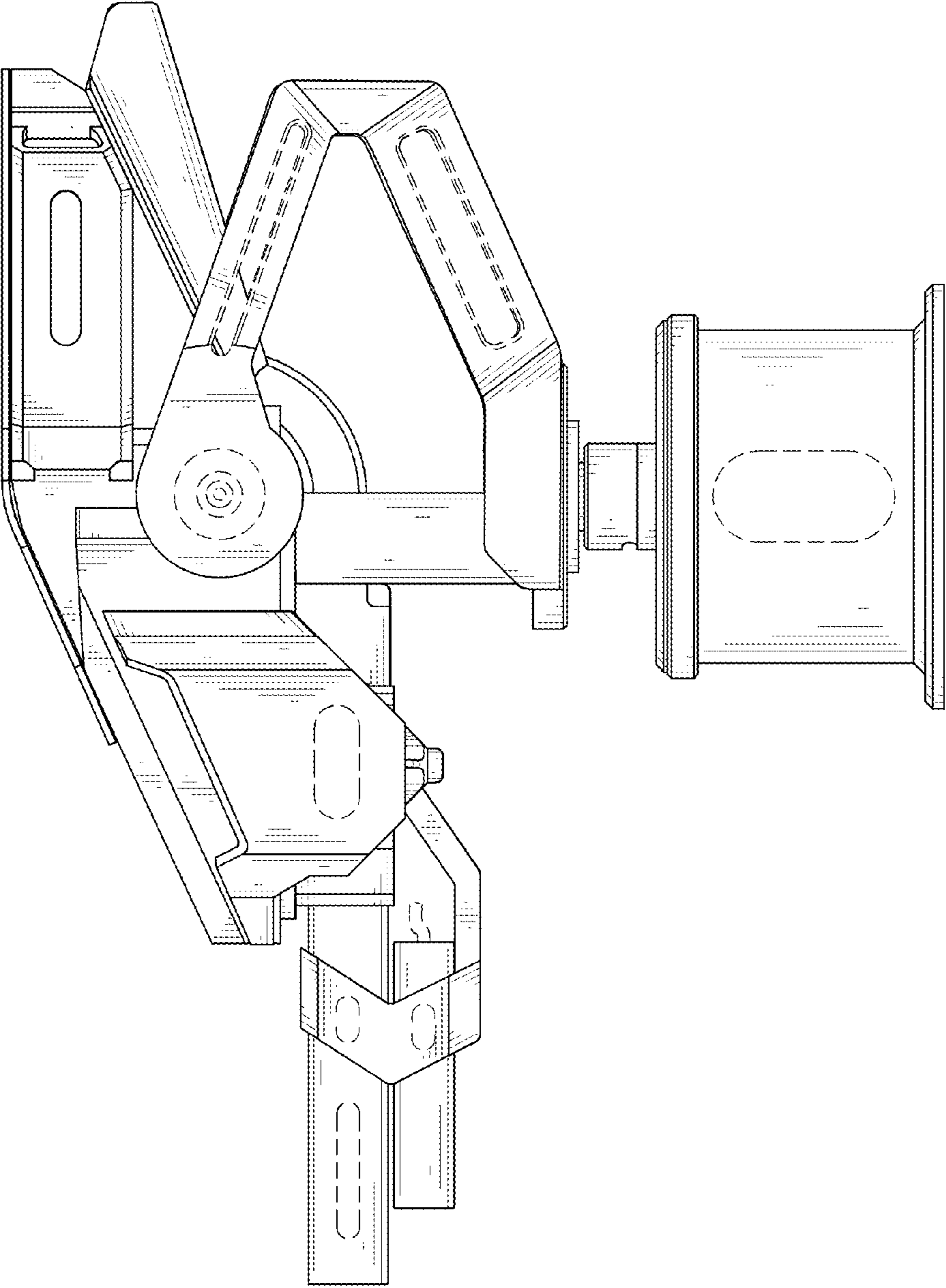


FIG. 6

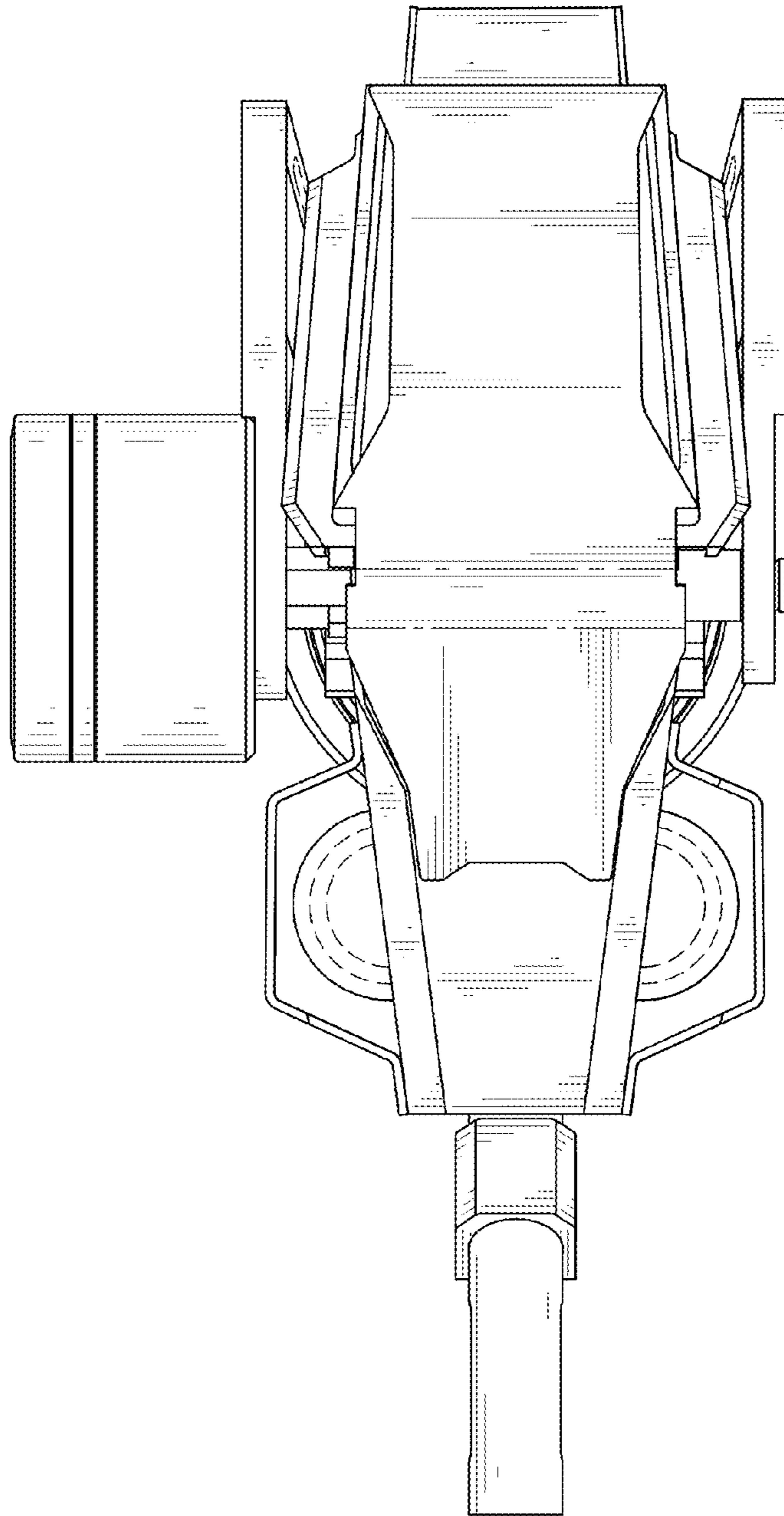


FIG. 7

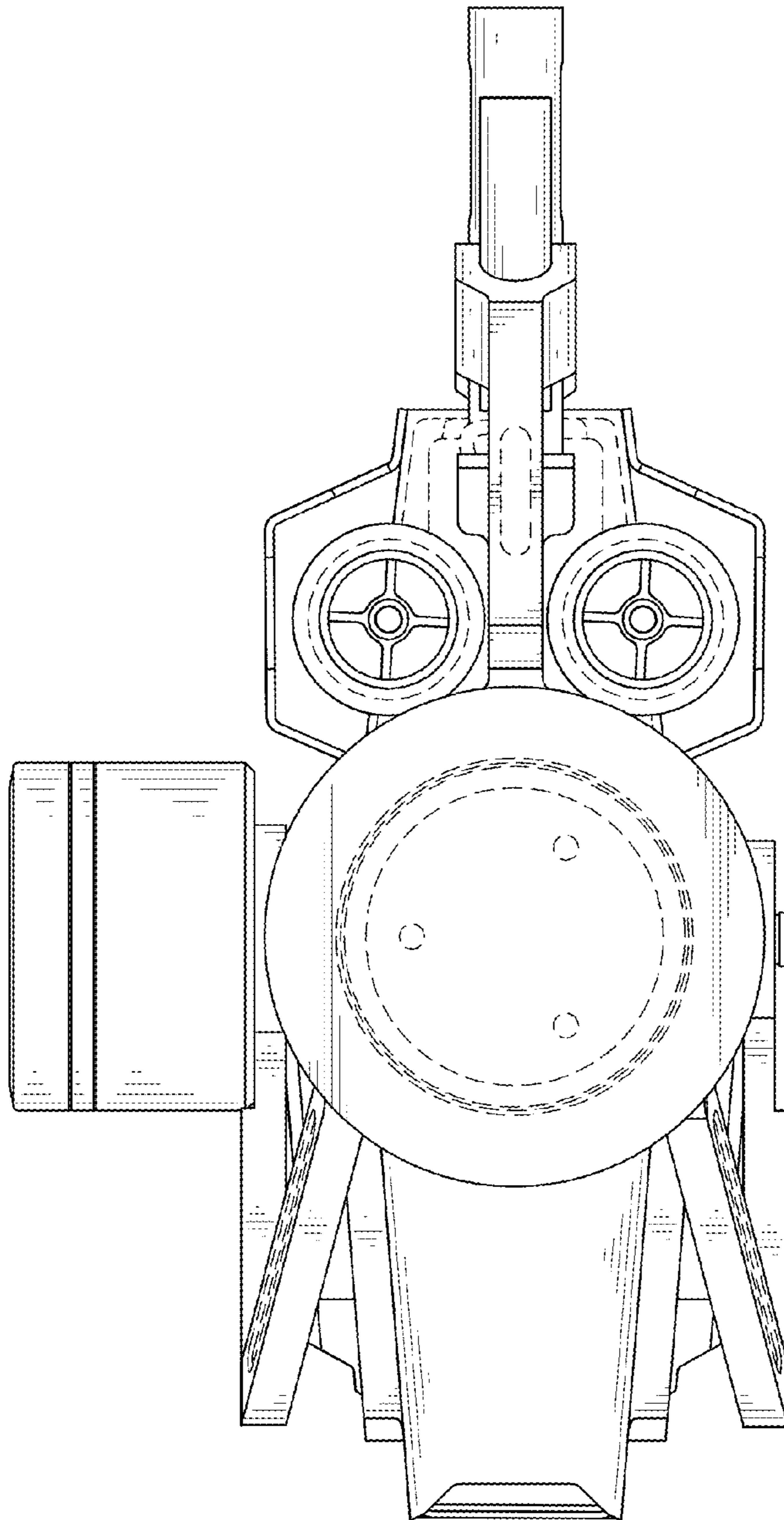


FIG. 8

UNITED STATES PATENT AND TRADEMARK OFFICE
CERTIFICATE OF CORRECTION

PATENT NO. : D759,164 S
APPLICATION NO. : 29/524870
DATED : June 14, 2016
INVENTOR(S) : Shi-Meng Bei

Page 1 of 10

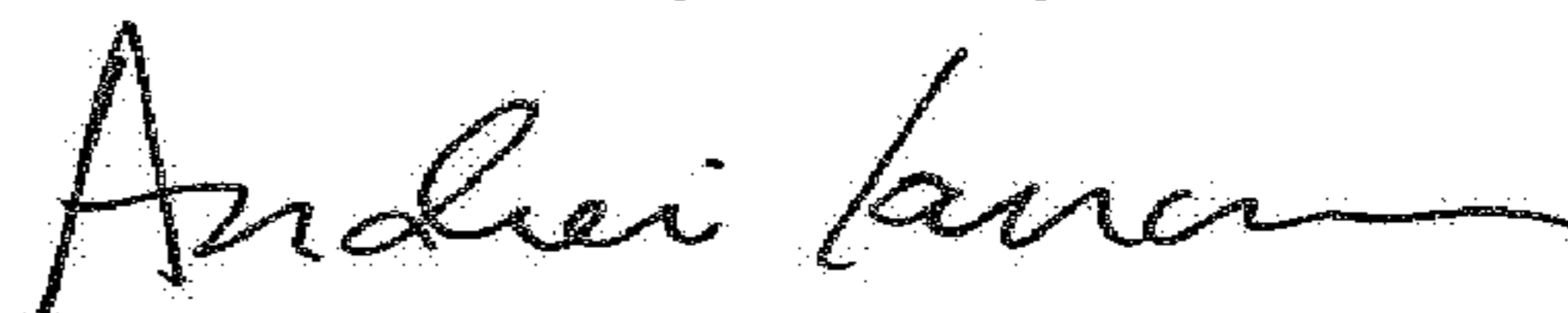
It is certified that error appears in the above-identified patent and that said Letters Patent is hereby corrected as shown below:

Delete the Title Page and substitute therefore with the attached Title Page consisting of the corrected illustrative figure(s).

In the Drawings

Please replace FIGS. 1-8 with FIGS. 1-8 as shown on the attached pages.

Signed and Sealed this
Third Day of July, 2018



Andrei Iancu
Director of the United States Patent and Trademark Office

(12) **United States Design Patent**
Bei

(10) **Patent No.:** **US D759,164 S**
 (45) **Date of Patent:** **Jun. 14, 2016**

(54) **LAUNCHER FOR TOY AERIAL PROJECTILES**

(71) Applicant: **SZ DJI TECHNOLOGY CO., LTD.**,
 Shenzhen (CN)

(72) Inventor: **Shi-Meng Bei**, Shenzhen (CN)

(73) Assignee: **SZ DJI TECHNOLOGY CO., LTD.**,
 Shenzhen (CN)

(**) Term: **14 Years**

(21) Appl. No.: **29/524,870**

(22) Filed: **Apr. 24, 2015**

(51) **LOC (10) CL** **21-01**

(52) **U.S. CL**
 USPC **D21/454**

(58) **Field of Classification Search**
 USPC D12/16.1, 319, 325, 326, 327, 328, 329,
 D12/330, 333, 344, 345; D21/301, 437,
 D21/441, 443, 446, 447, 448, 453, 454, 461
 CPC B64C 2201/146; B64C 2201/141;
 B64C 2201/126; B64C 2201/021; B64C 29/00
 See application file for complete search history.

(56) **References Cited**

U.S. PATENT DOCUMENTS

D248,988 S *	8/1978	Goldfarb	D21/454
D363,092 S *	10/1995	Hung	D14/412
D390,284 S *	2/1998	Mak	D21/454
D550,781 S *	9/2007	Laurenzo	D21/454
D554,261 S *	10/2007	Vetuskey	D21/454
8,671,926 B1 *	3/2014	Mahlstedt	F41B 11/39 124/65

D738,962 S *	9/2015	Handy	D21/454
2002/0098768 A1 *	7/2002	Kuo	A63H 27/12 446/39
2015/0204634 A1 *	7/2015	Cummings	F41B 7/08 134/30.1

* cited by examiner

Primary Examiner --- Robert M Spear

Assistant Examiner --- Marissa J Cash

(74) *Attorney, Agent, or Firm* --- Novak Druce Connolly
 Bove + Quigg LLP

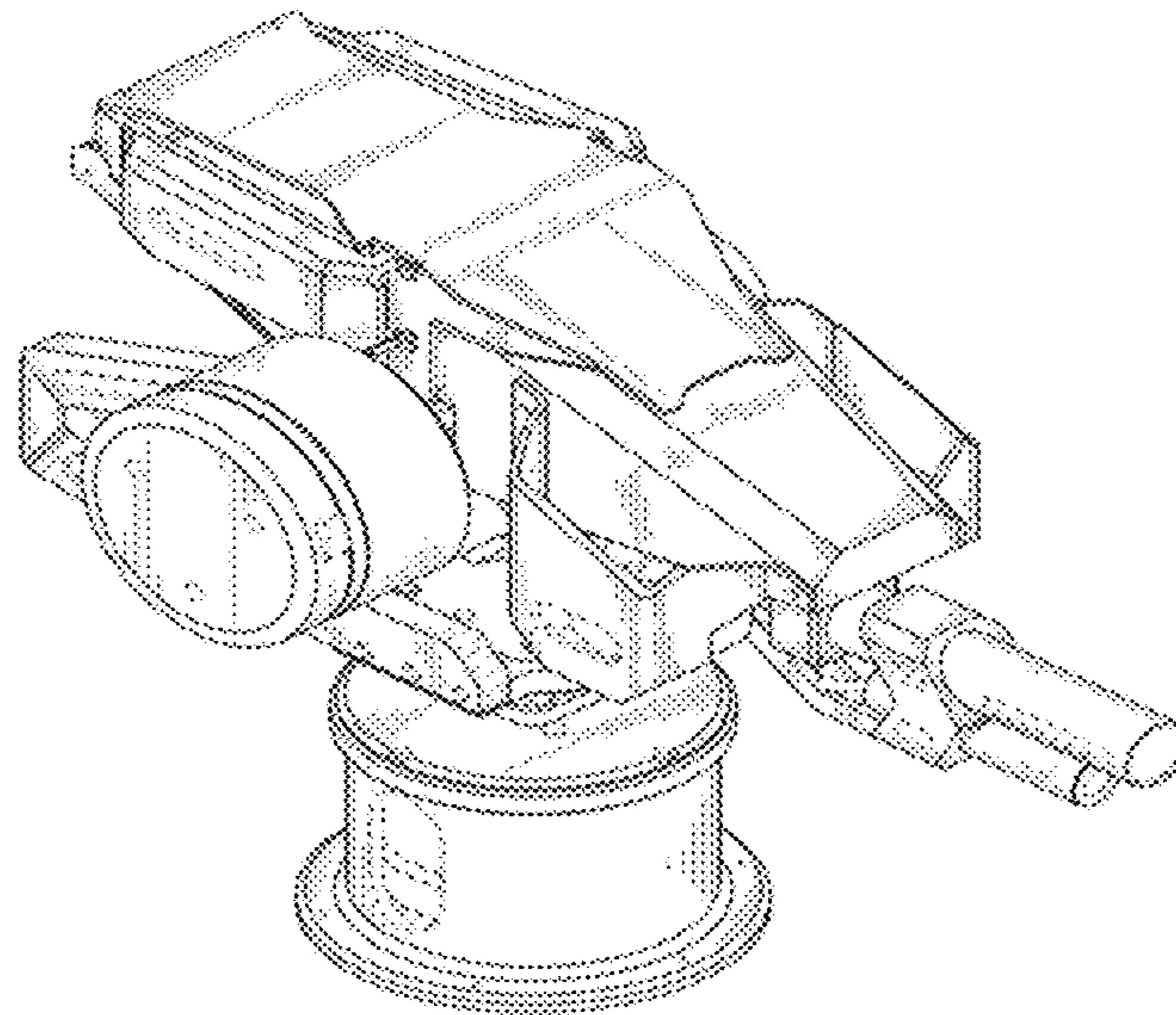
(57) **CLAIM**

The ornamental design of a launcher for toy aerial projectiles,
 as shown and described.

DESCRIPTION

FIG. 1 is a perspective view of a launcher for toy aerial projectiles showing our design.
 FIG. 2 is perspective view of the launcher for toy aerial projectiles of FIG. 1, viewed from a second perspective.
 FIG. 3 is a front elevational view of the launcher for toy aerial projectiles of FIG. 1.
 FIG. 4 is a rear elevational view of the launcher for toy aerial projectiles of FIG. 1.
 FIG. 5 is a left-side elevational view of the launcher for toy aerial projectiles of FIG. 1.
 FIG. 6 is a right-side elevational view of the launcher for toy aerial projectiles of FIG. 1.
 FIG. 7 is a top plan view of the launcher for toy aerial projectiles of FIG. 1; and,
 FIG. 8 is a bottom plan view of the launcher for toy aerial projectiles of FIG. 1.
 The broken lines in the drawings represent unclaimed environmental subject matter and form no part of the claim.

1 Claim, 8 Drawing Sheets



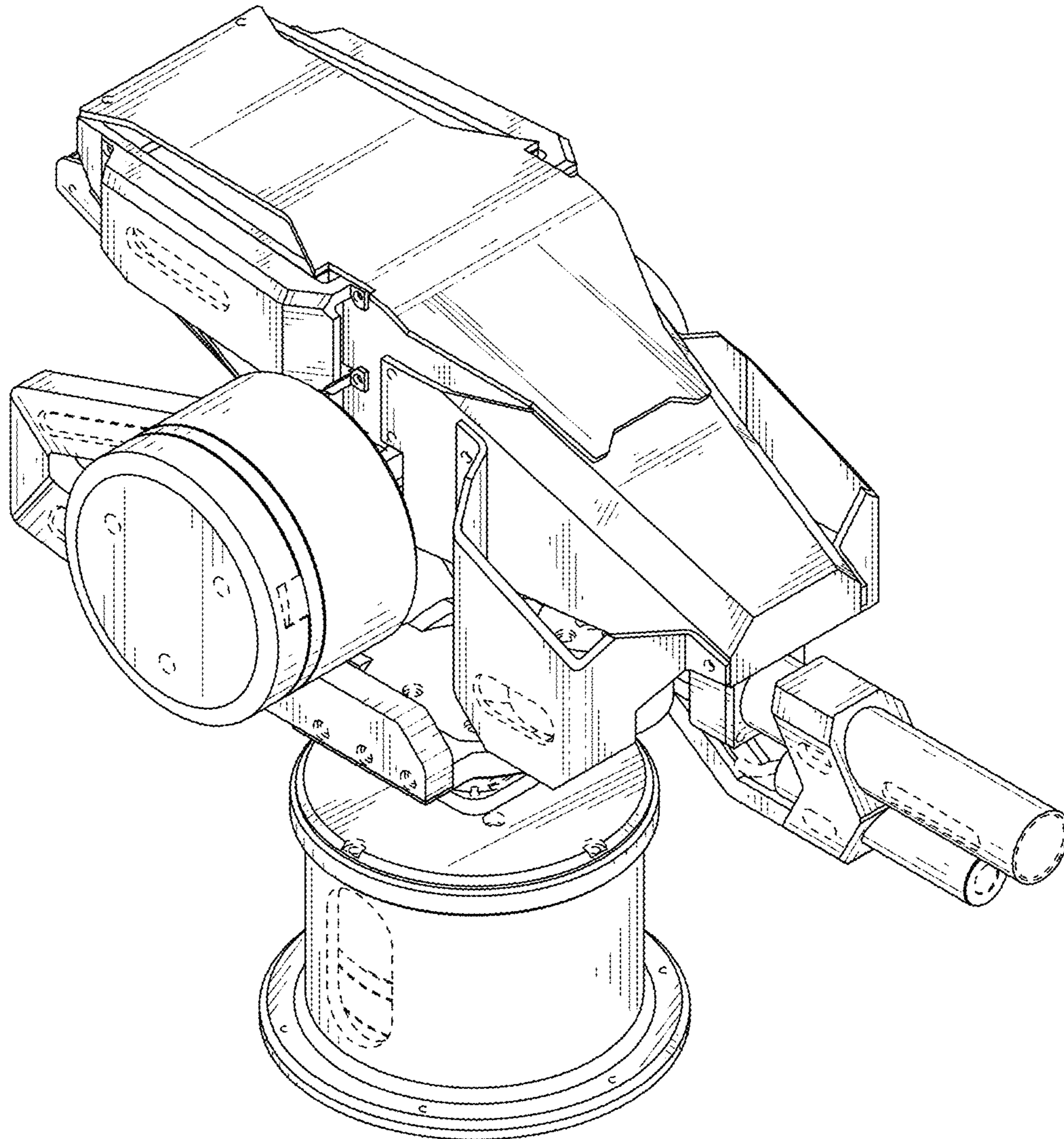


FIG. 1

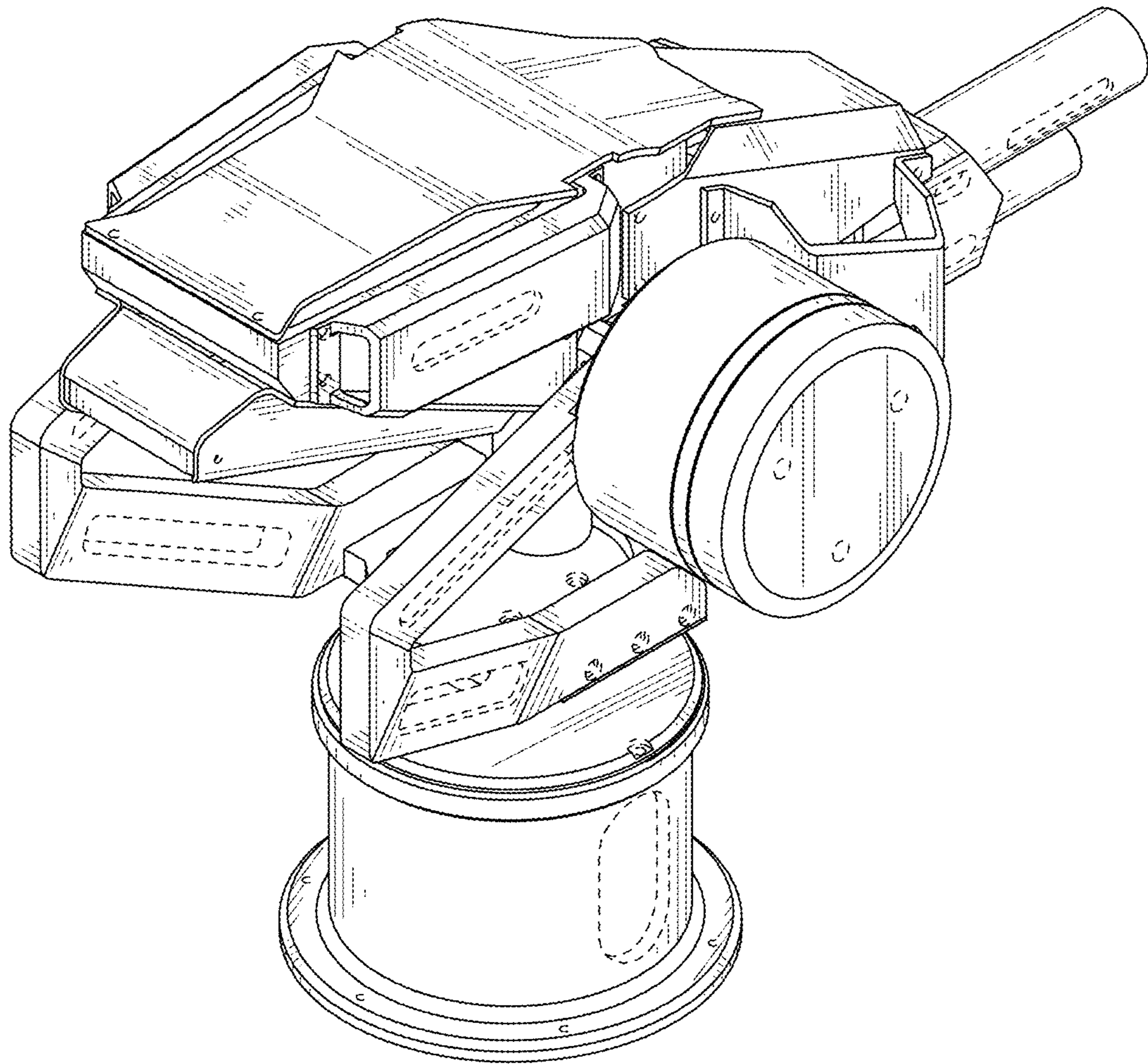


FIG. 2

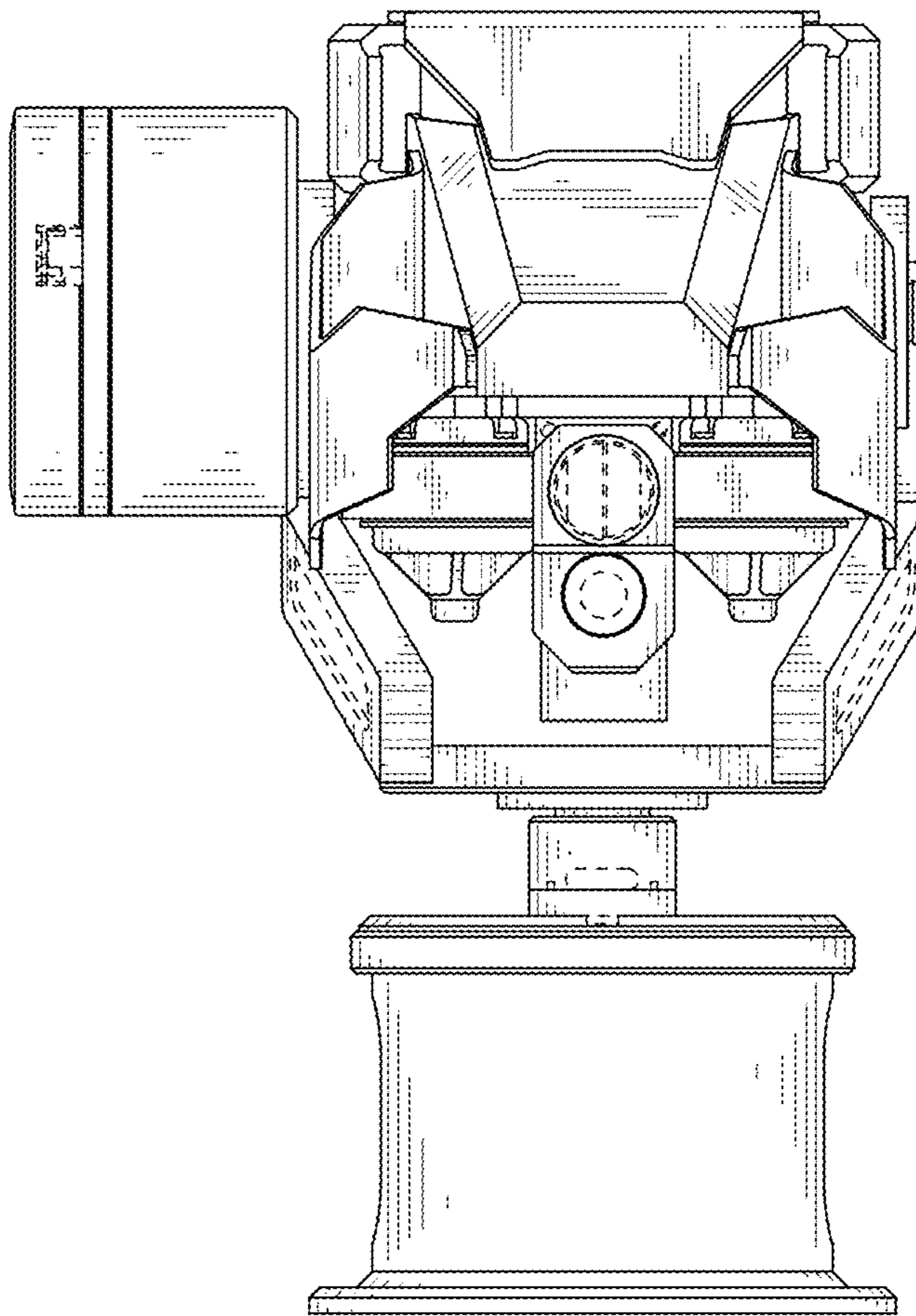


FIG. 3

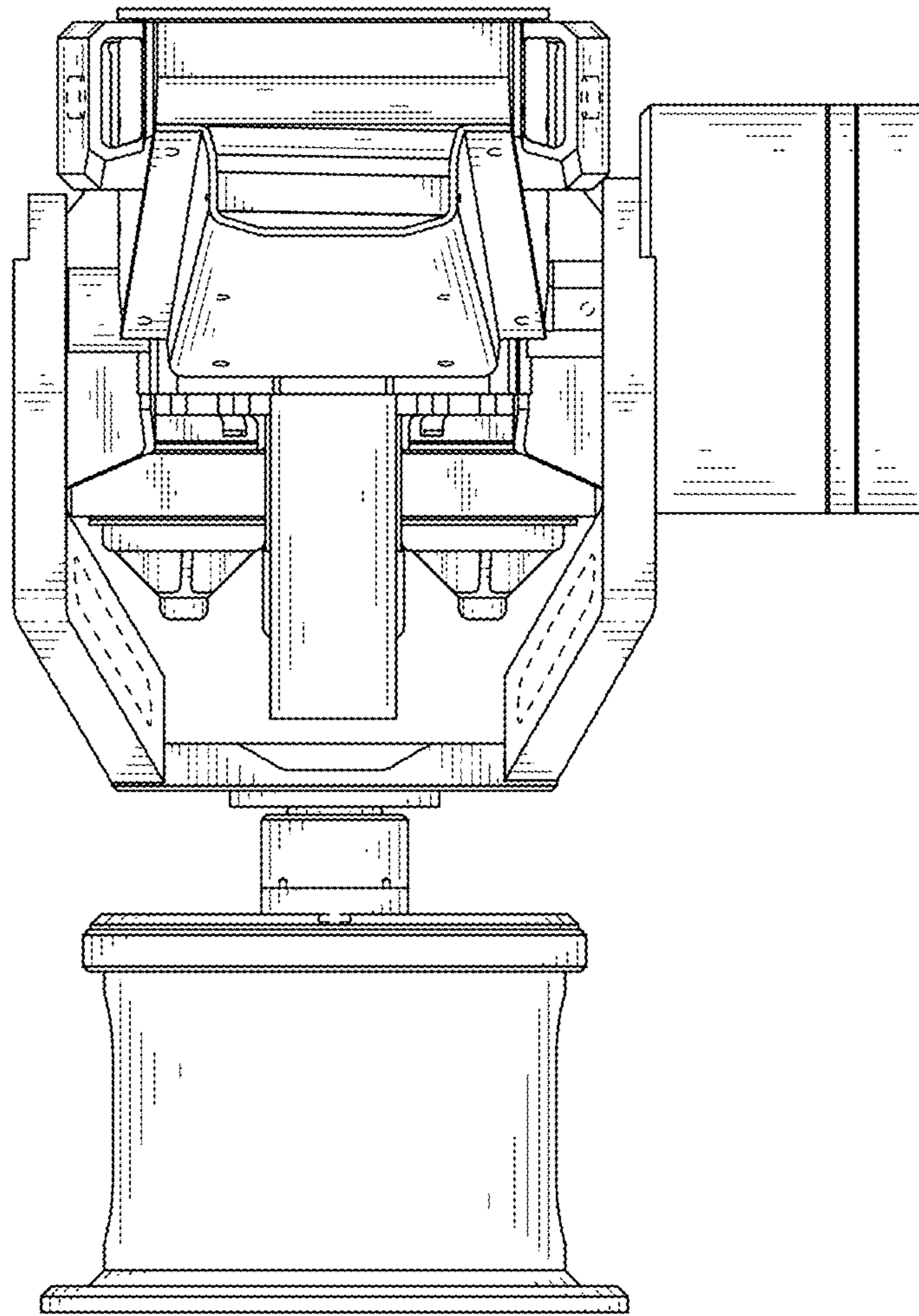


FIG. 4

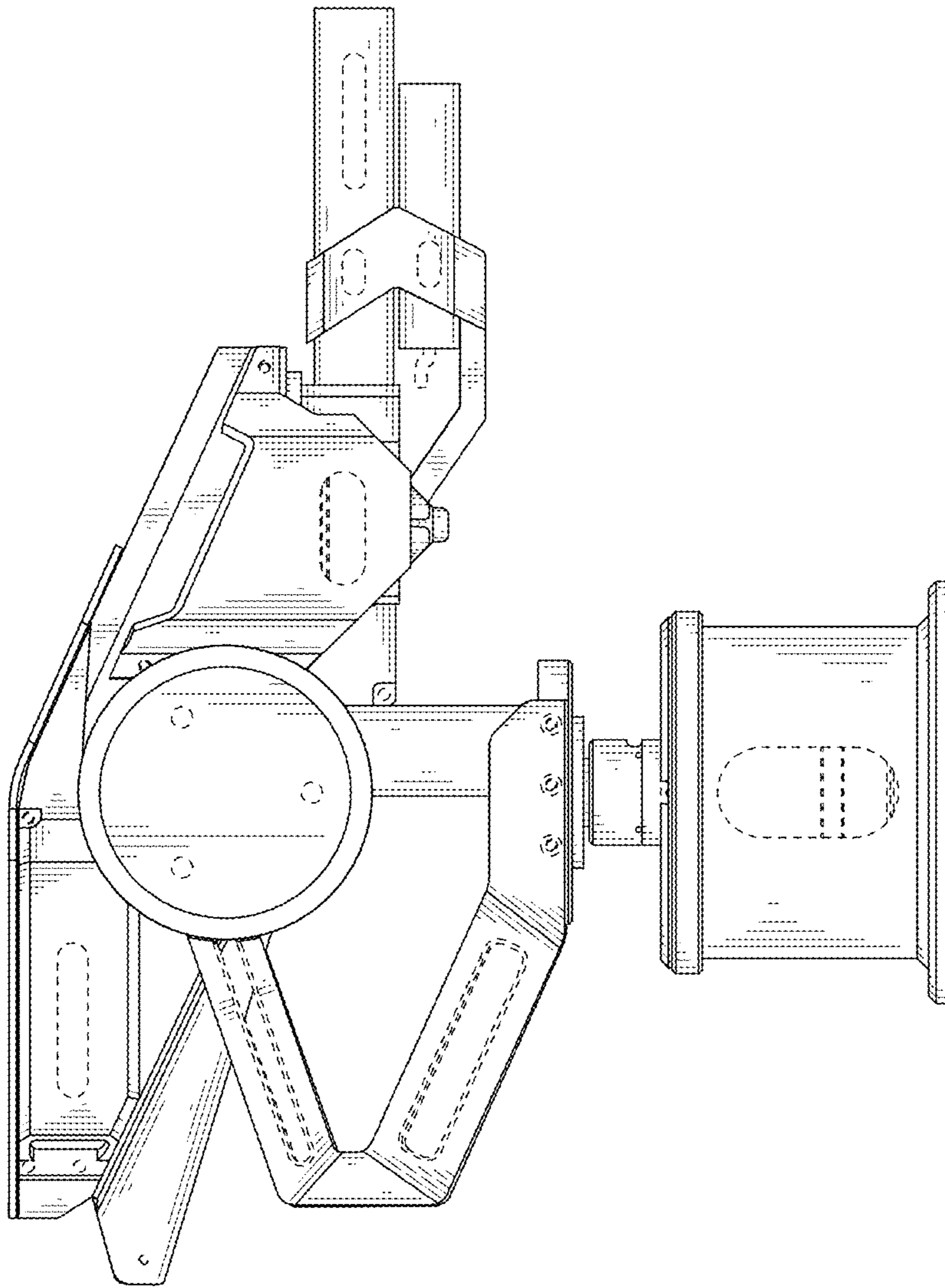


FIG. 5

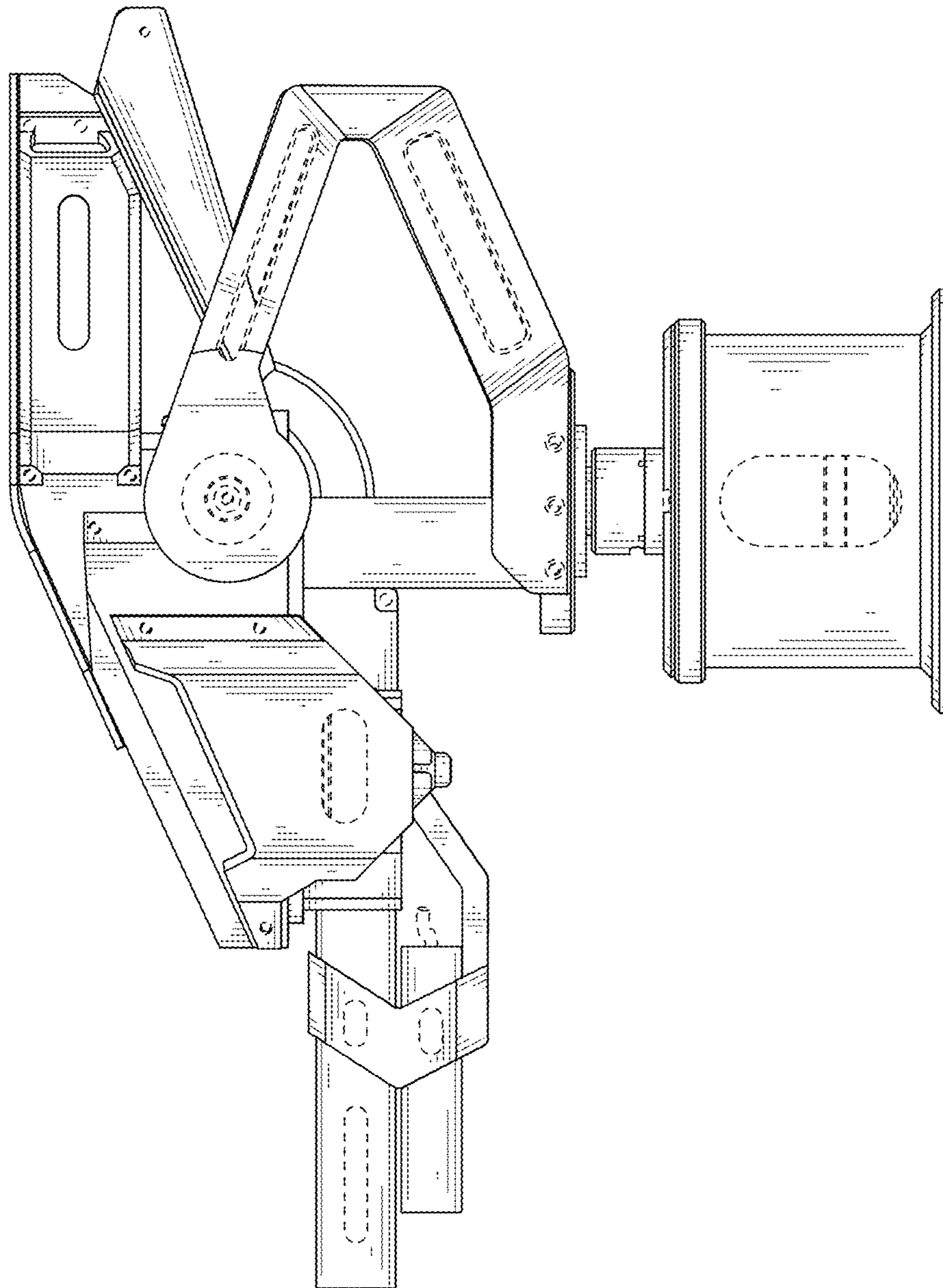


FIG. 6

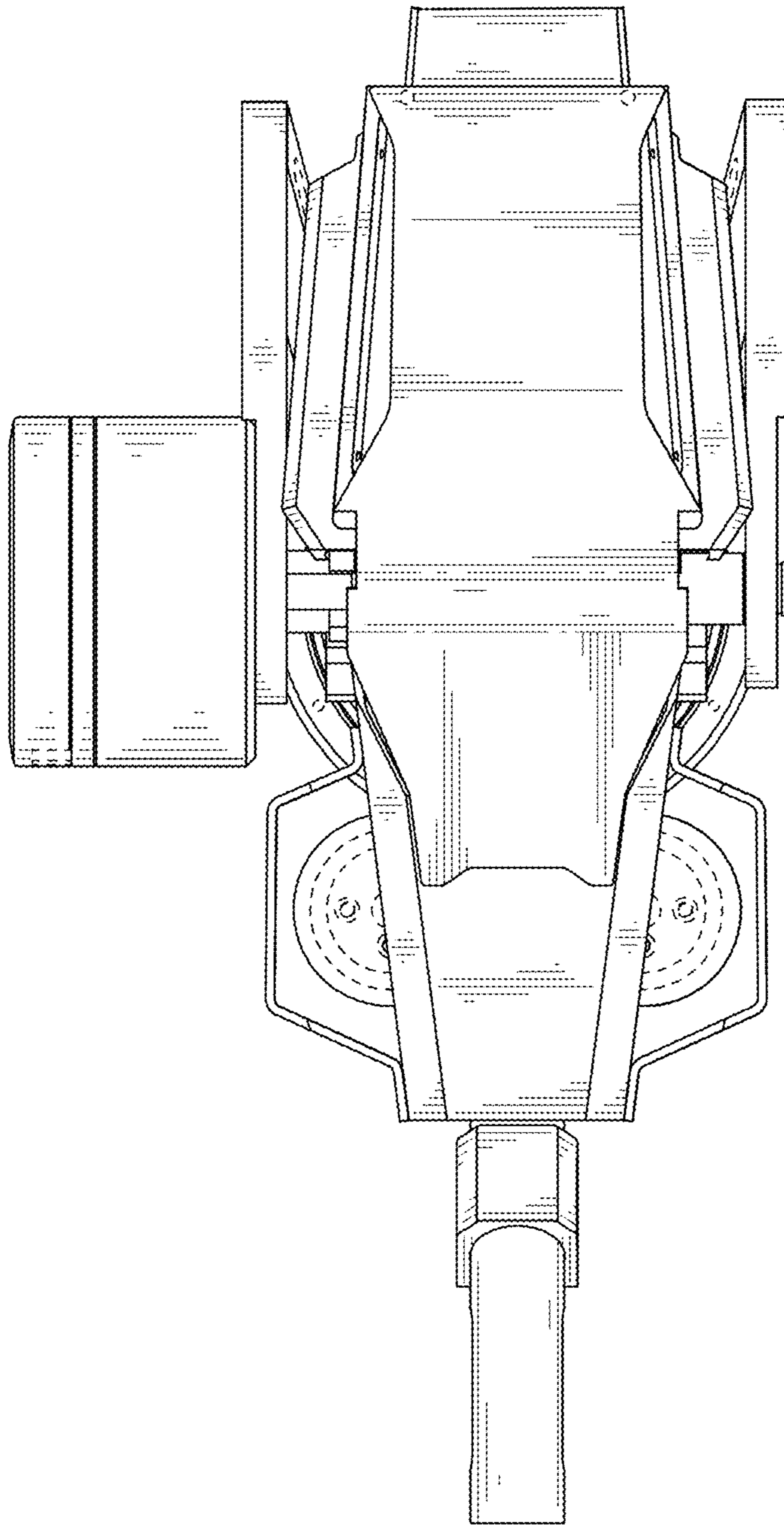


FIG. 7

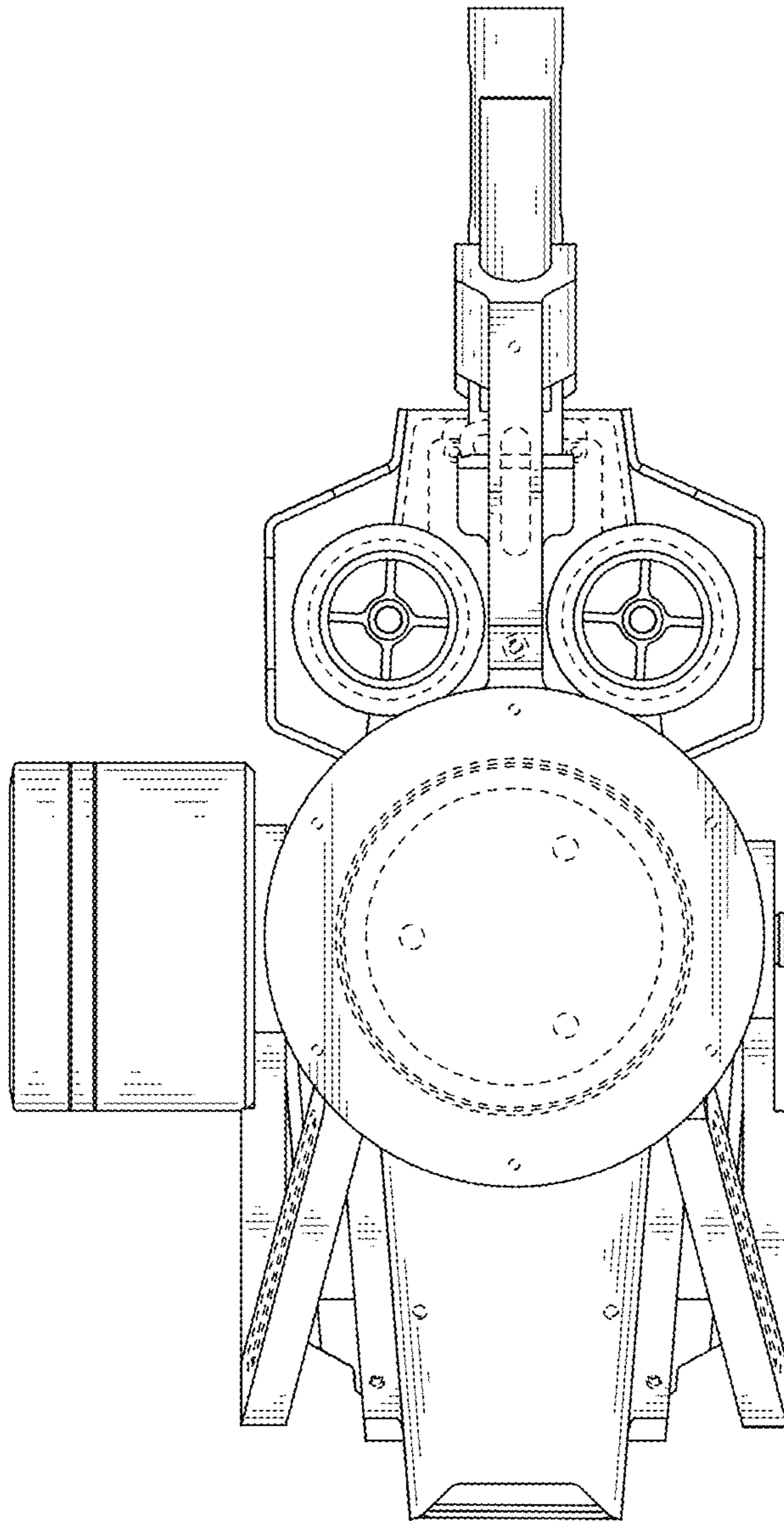


FIG. 8