

US00D759162S

(12) **United States Design Patent**  
Menzies et al.

(10) **Patent No.:** US D759,162 S

(45) **Date of Patent:** \*\* Jun. 14, 2016

(54) **PROMOTIONAL DISPLAY**

(71) Applicant: **Applied Underwriters, Inc.**, Omaha, NE (US)

(72) Inventors: **Steven M. Menzies**, Omaha, NE (US);  
**Nathan Franklin Wells**, Lafayette, CA (US)

(73) Assignee: **Applied Underwriters, Inc.**, Omaha, NE (US)

(\*\*) Term: **14 Years**

(21) Appl. No.: **29/495,591**

(22) Filed: **Jul. 2, 2014**

(51) **LOC (10) Cl.** ..... **20-02**

(52) **U.S. Cl.**  
USPC ..... **D20/19**

(58) **Field of Classification Search**

USPC ..... D20/10, 18, 19, 22–28, 40, 99;  
D10/109.1, 109.2, 113.4; D21/791

CPC ..... G09F 1/00; G09F 1/02; G09F 1/04;  
G09F 1/08; G09F 1/10; G09F 1/14; G09F  
7/00; G09F 7/02; G09F 7/06; G09F 7/08;  
G09F 7/18; G09F 9/00; G09F 13/00; G09F  
13/02; G09F 13/04; G09F 13/06; G09F 13/16;  
G09F 15/00; G09F 15/02; G09F 15/0062;  
G09F 15/0068; G09F 15/0006; G09F 23/00;  
B42D 15/00; B42D 15/042; B31D 5/04;  
B65D 5/4266; A63B 57/00; A63B 57/357

See application file for complete search history.

(56) **References Cited**

U.S. PATENT DOCUMENTS

1,076,722 A 10/1913 Treadwell  
1,743,191 A 1/1930 Charlton

(Continued)

FOREIGN PATENT DOCUMENTS

GB 291535 6/1928  
GB 794880 5/1958

OTHER PUBLICATIONS

Kristin Guyer, golf pop-up, craftsUprint, Mar. 31, 2014, <http://www.craftsuprint.com/card-making/pop-ups/folded-pop-ups/7819>.

(Continued)

Primary Examiner — Mary Ann Calabrese

(74) Attorney, Agent, or Firm — Mark Nowotarski

(57) **CLAIM**

The ornamental design for a promotional display, as shown and described.

**DESCRIPTION**

FIG. 1 is a front view of promotional display in a closed configuration.

FIG. 2 is a rear view of promotional display in a closed configuration.

FIG. 3 is a top view of promotional display in a closed configuration.

FIG. 4 is a bottom view of promotional display in a closed configuration.

FIG. 5 is a right side view of promotional display in a closed configuration.

FIG. 6 is a left side view of promotional display in a closed configuration.

FIG. 7 is a front perspective view of promotional display in a closed configuration.

FIG. 8 is a rear perspective view of promotional display in a closed configuration.

FIG. 9 is a bottom view of promotional display in an open configuration.

FIG. 10 is a top view of promotional display in an open configuration.

FIG. 11 is a right side view of promotional display in an open configuration.

FIG. 12 is a left side view of promotional display in an open configuration.

FIG. 13 is a front view of promotional display in an open configuration.

FIG. 14 is a rear view of promotional display in an open configuration.

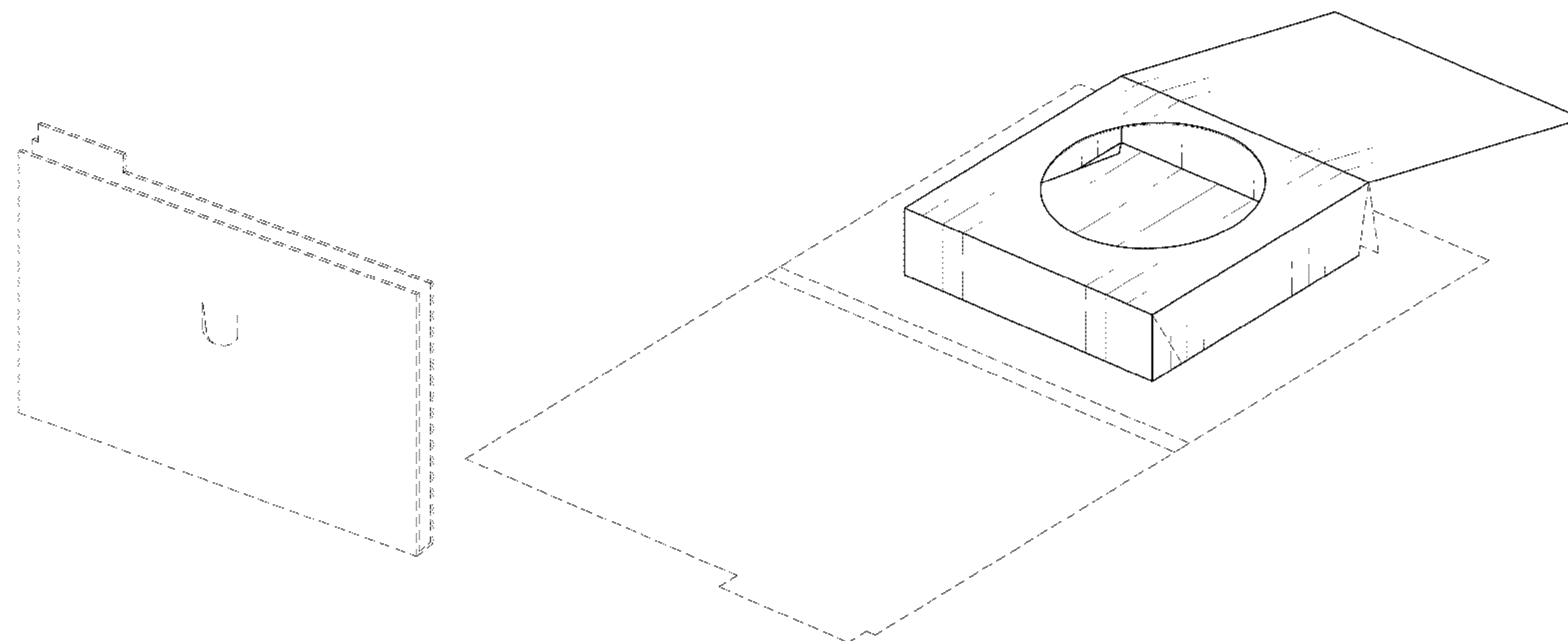
FIG. 15 is a rear perspective view of promotional display in an open configuration.

FIG. 16 is a front perspective view of promotional display in an open configuration; and,

FIG. 17 is a right side perspective view of promotional display in an open configuration.

The broken lines inside and outside of the claim represent portions of the promotional display that form no part of the claimed design.

**1 Claim, 10 Drawing Sheets**



(56)

References Cited

U.S. PATENT DOCUMENTS

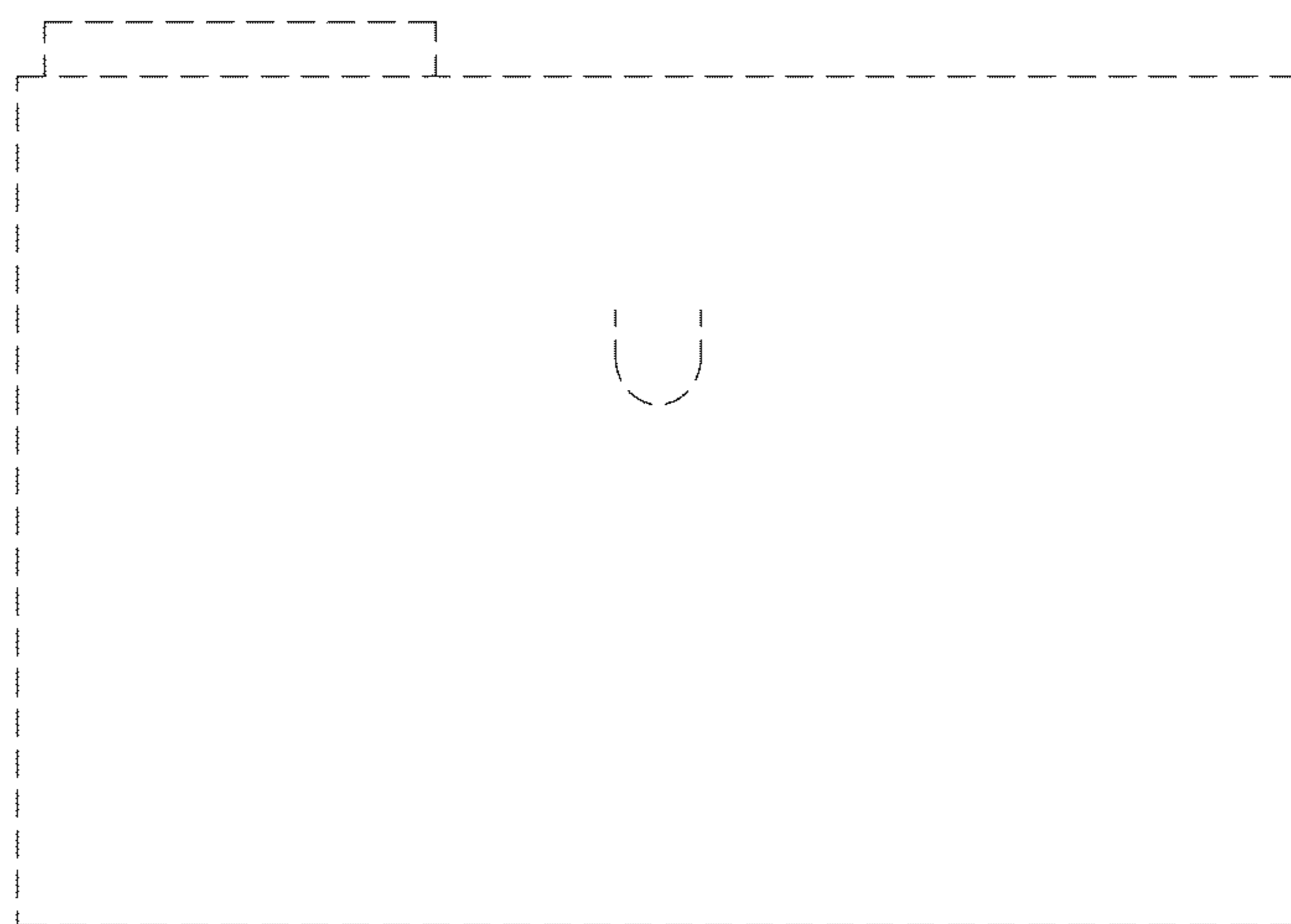
2,152,299 A \* 3/1939 Arndt ..... G09F 23/00  
206/102  
2,156,815 A \* 5/1939 Levy ..... G09F 1/04  
281/15.1  
3,606,339 A 9/1971 Marshall  
3,700,243 A 10/1972 Kenney  
3,817,535 A 6/1974 Doughty  
4,313,270 A \* 2/1982 Volkert ..... B42D 15/00  
40/124.08  
4,349,973 A \* 9/1982 Penick ..... G09F 1/06  
40/124.08  
4,774,780 A 10/1988 Crowell  
4,833,802 A 5/1989 Volkert  
5,293,706 A 3/1994 Wood  
5,620,375 A 4/1997 Frotten  
5,809,673 A 9/1998 Johnson et al.  
5,887,366 A \* 3/1999 Volkert ..... B31D 5/04  
40/124.08  
5,933,989 A 8/1999 Volkert et al.  
6,283,873 B1 9/2001 Nunes  
D481,092 S 10/2003 Ray  
6,939,240 B2 9/2005 Daley  
7,255,648 B1 8/2007 Romeo  
D611,994 S \* 3/2010 Lanman ..... D20/18

8,235,880 B2 8/2012 Guier  
8,864,596 B1 \* 10/2014 Maranian, Jr. .... A63B 69/3661  
473/162  
2007/0227943 A1 10/2007 Foushee  
2008/0000118 A1 \* 1/2008 Suzuki ..... G09F 1/06  
40/312  
2012/0266504 A1 10/2012 Michlin  
2013/0139420 A1 6/2013 Rubar  
2014/0319021 A1 \* 10/2014 Skarin ..... B42D 15/008  
206/755  
2015/0135566 A1 \* 5/2015 Simmons ..... B42D 15/042  
40/124.08  
2015/0262513 A1 \* 9/2015 DeSanto ..... B31D 5/04  
40/124.08

OTHER PUBLICATIONS

Structural Graphics, Solution of the Week—1-800-Dentist Golf Box, You Tube, Dec. 15, 2010, <https://www.youtube.com/watch?v=NLvqDelSjBw>.  
Structural Graphics, Solution of the Week—Dealer Track Pop-Up Mailer, You Tube, Oct. 5, 2011, <https://www.youtube.com/watch?v=J3sBMwrGPHU>.  
Structural Graphics, Solution of the Week—Tamba Bay Forum Pop-Up Mailer, You Tub, Jun. 6, 2012, <https://www.youtube.com/watch?v=k0X4d0NQHBI>.

\* cited by examiner



*FIG. 1*



*FIG. 2*



*FIG. 3*



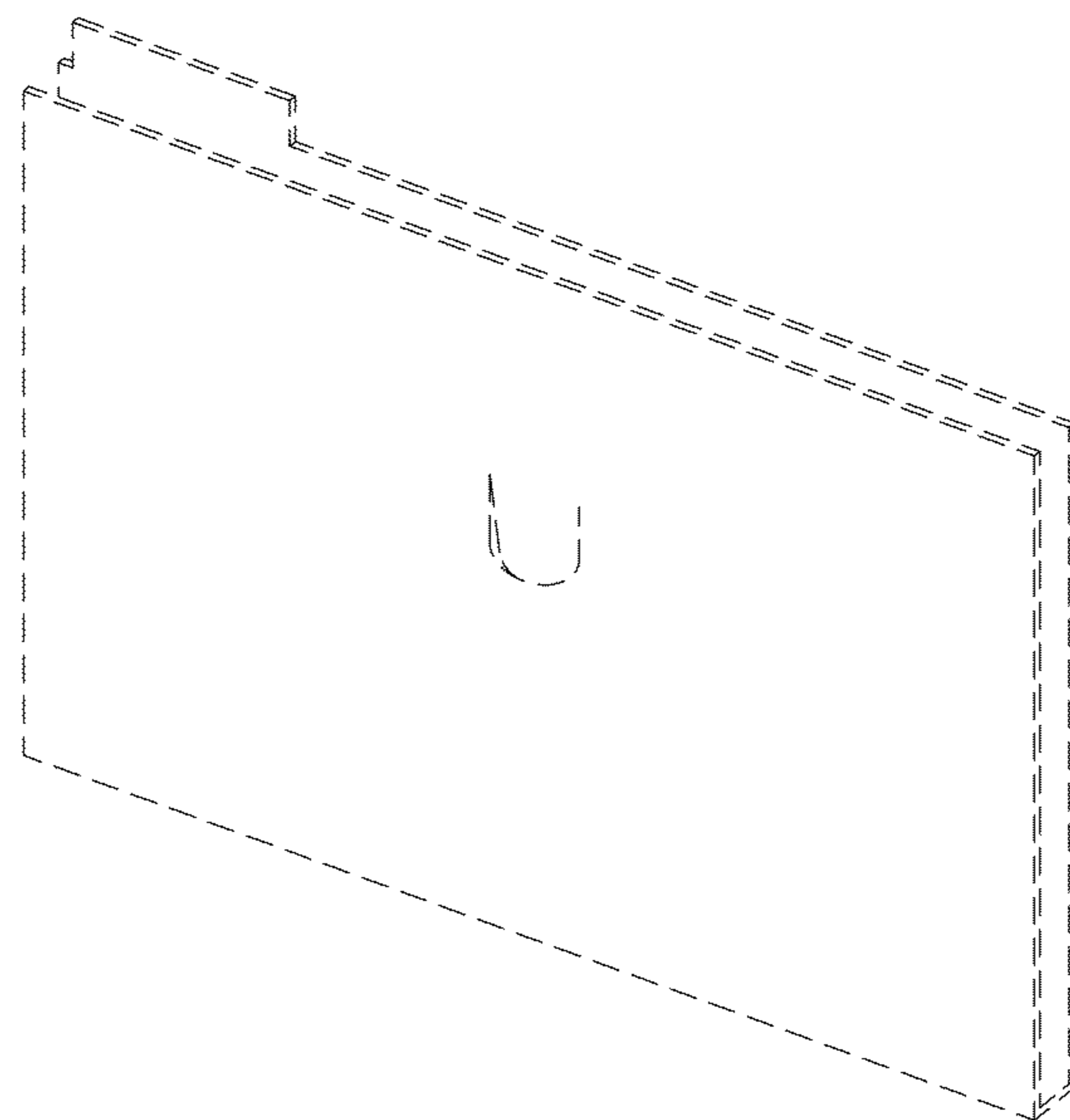
*FIG. 4*



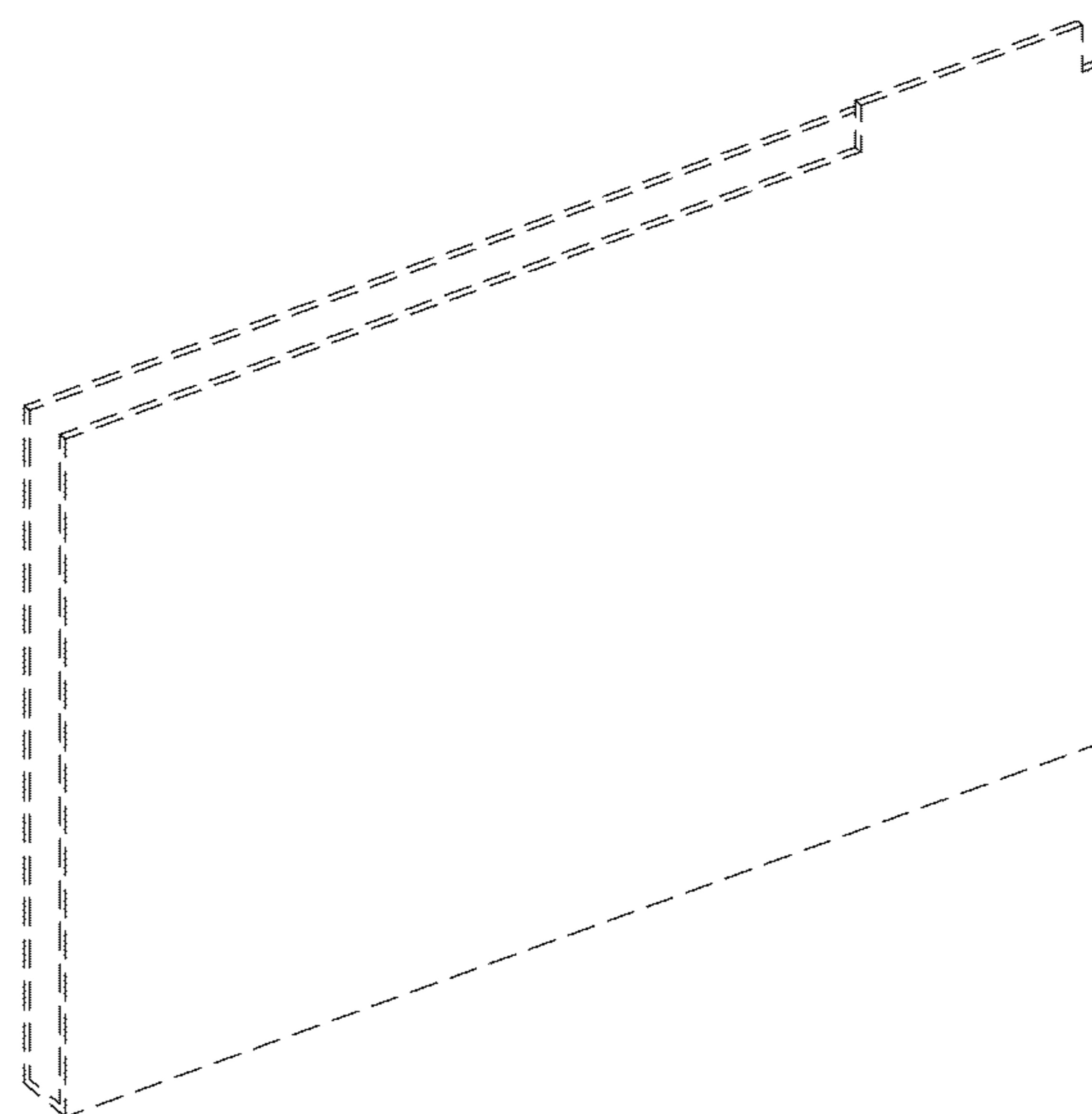
*FIG. 5*



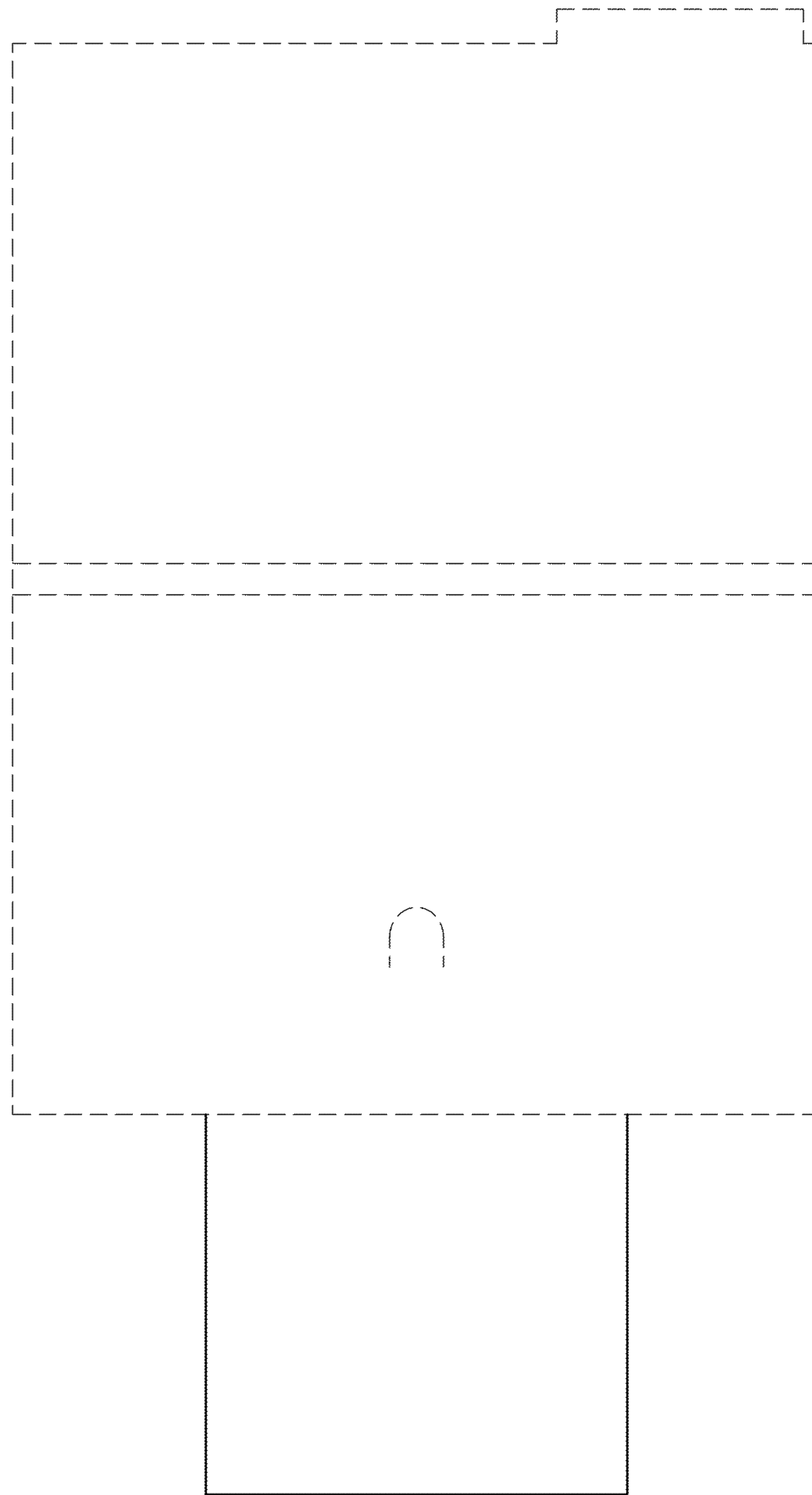
*FIG. 6*



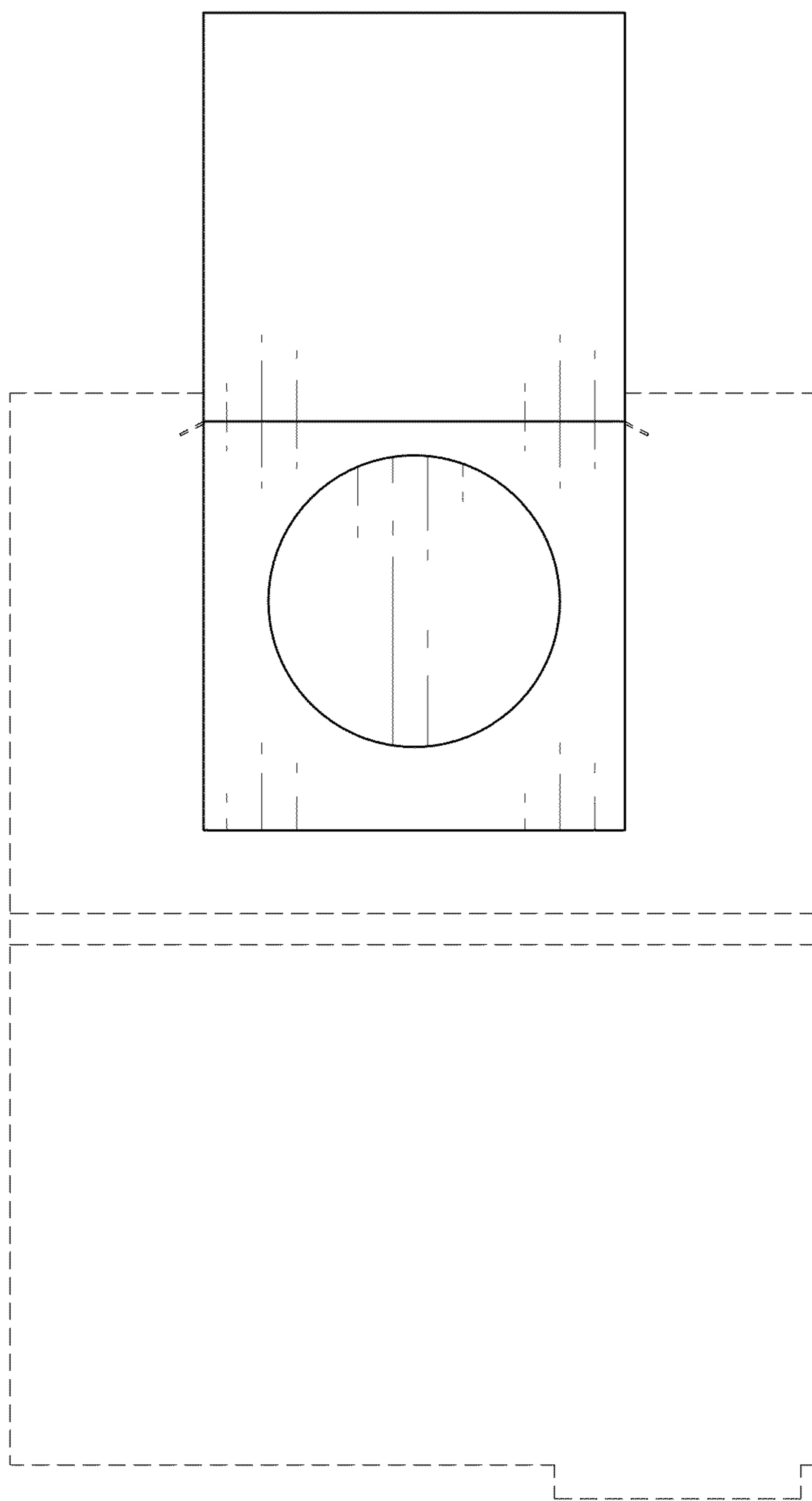
*FIG. 7*



*FIG. 8*



*FIG. 9*



*FIG. 10*

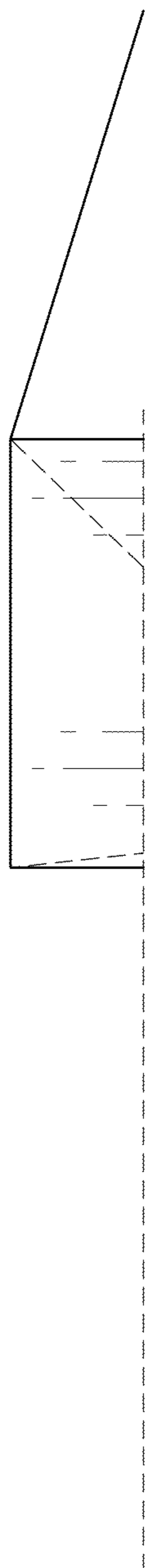


FIG. 11

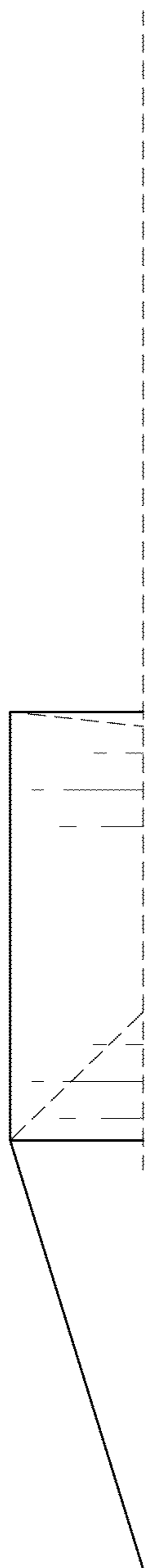
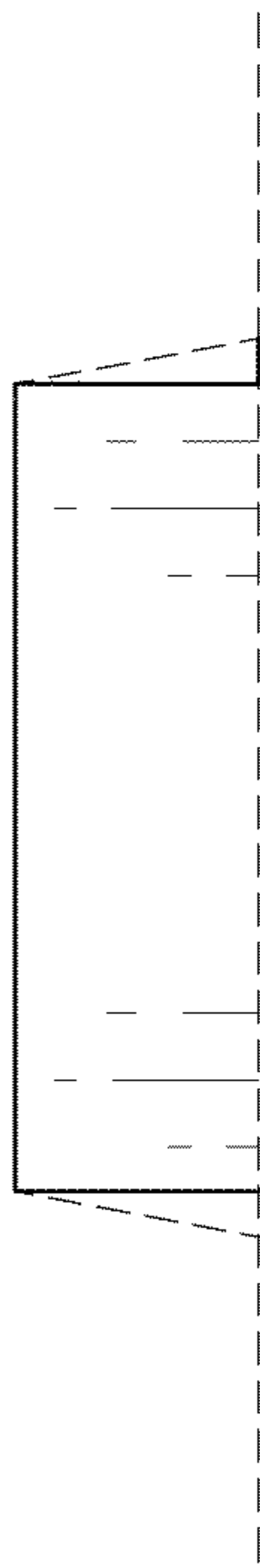


FIG. 12





*FIG. 13*



*FIG. 14*

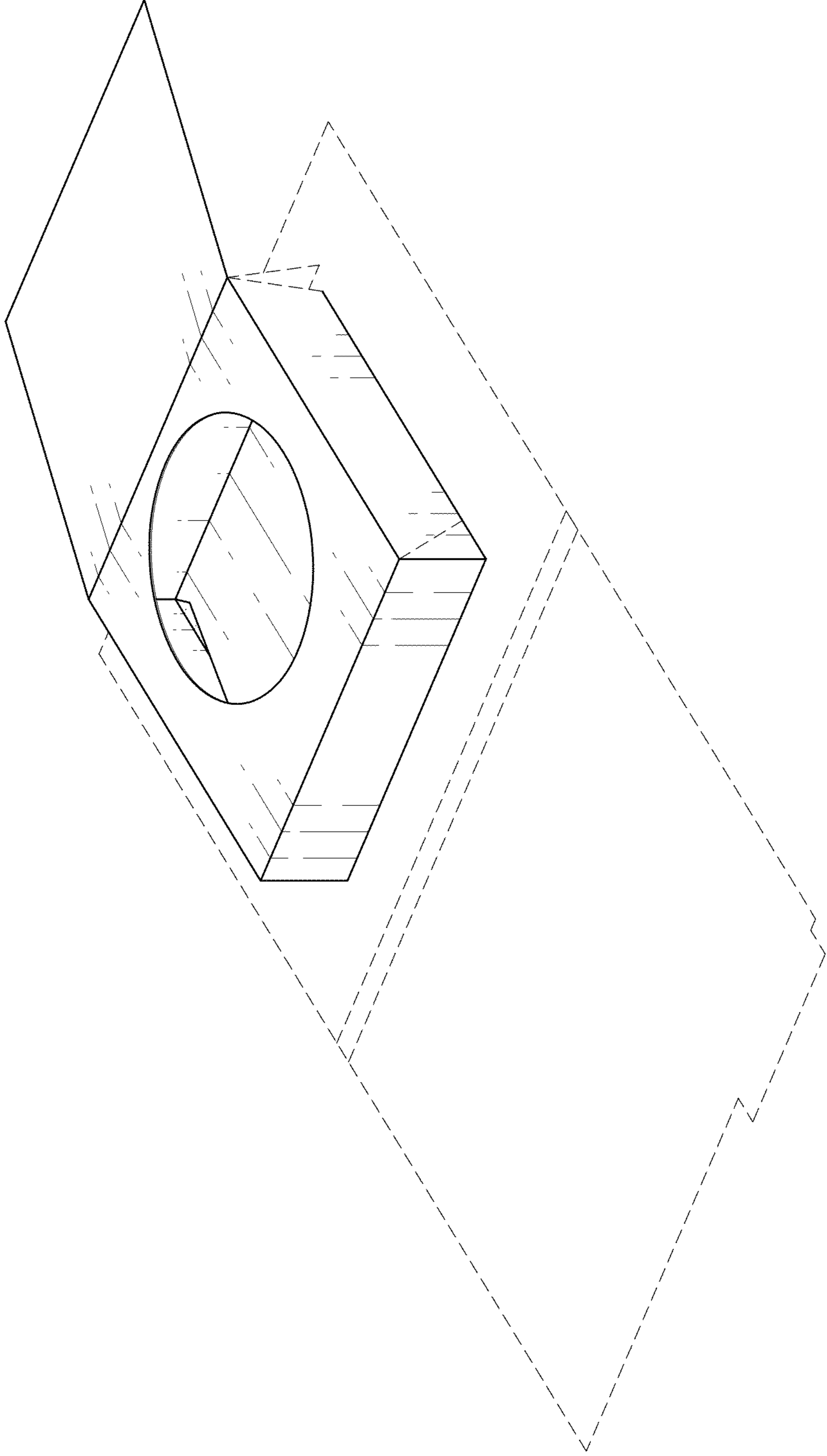


FIG. 15

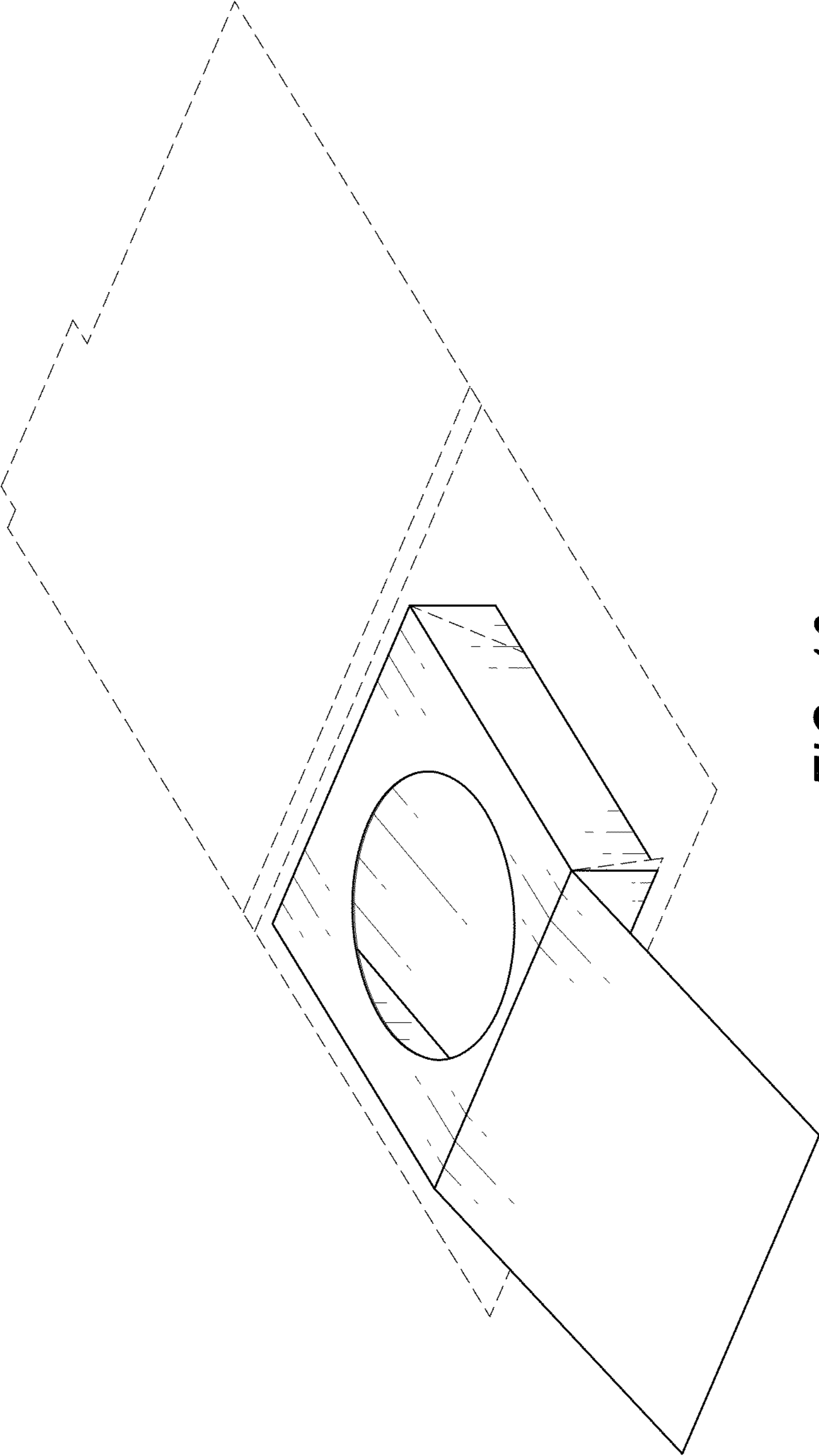


FIG. 16

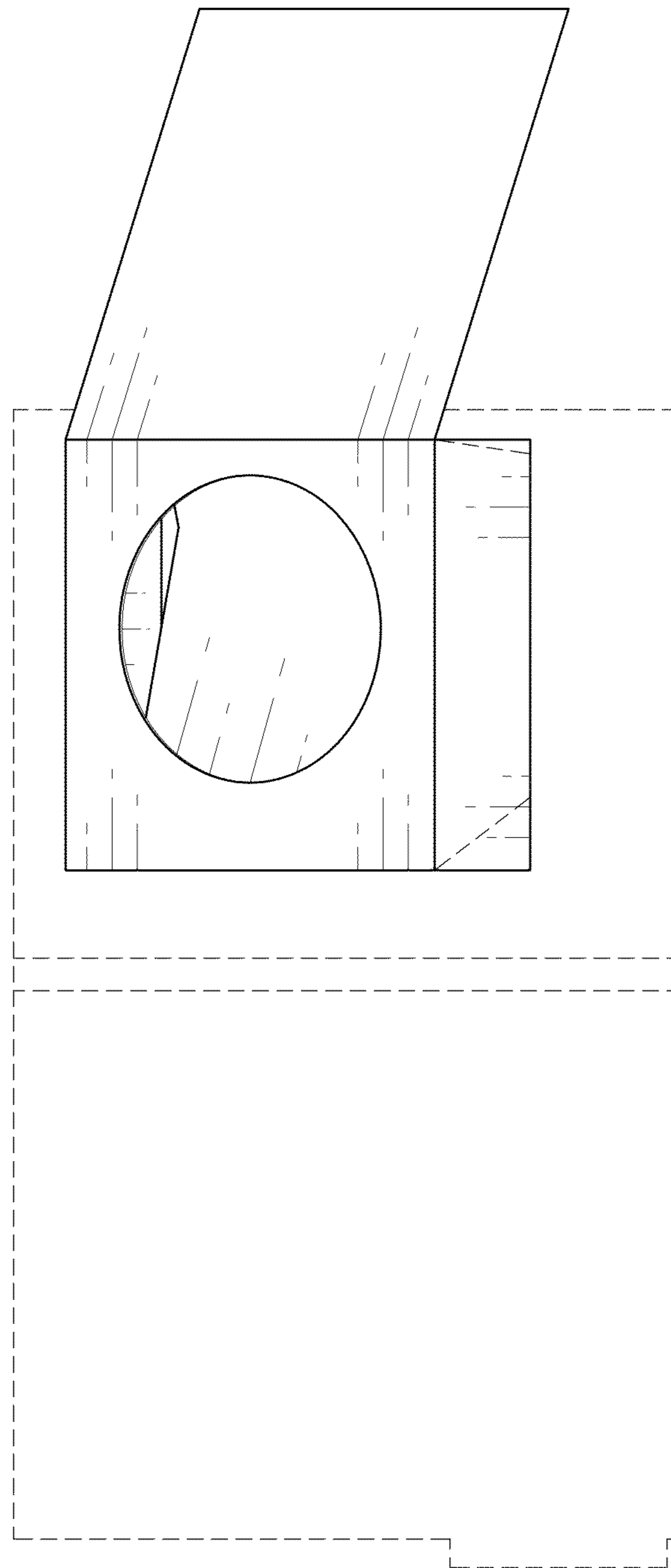


FIG. 17