



US00D759158S

(12) **United States Design Patent**
Lee et al.

(10) **Patent No.:** **US D759,158 S**
(45) **Date of Patent:** **** Jun. 14, 2016**

(54) **PRINTER**

(71) Applicant: **Samsung Electronics Co., Ltd.**,
Suwon-si (KR)

(72) Inventors: **Sang-In Lee**, Seongnam-si (KR);
Seung-Wook Jeong, Seoul (KR)

(73) Assignee: **Samsung Electronics Co., Ltd.**,
Suwon-si (KR)

(**) Term: **14 Years**

(21) Appl. No.: **29/506,268**

(22) Filed: **Oct. 14, 2014**

(30) **Foreign Application Priority Data**

Apr. 17, 2014 (KR) 30-2014-0019481

(51) **LOC (10) Cl.** **14-02**

(52) **U.S. Cl.**
USPC **D18/50**

(58) **Field of Classification Search**
USPC D18/4.4, 4.5, 4.6, 14, 19, 36-39, 50, 54,
D18/54.1, 55
CPC B41J 3/4075; B41J 11/58; B41J 15/12;
B41J 15/042; B41J 17/00; B41J 29/02;
B41J 29/08

See application file for complete search history.

(56) **References Cited**

U.S. PATENT DOCUMENTS

D207,059	S	*	2/1967	Regal	D14/469
D218,538	S	*	8/1970	Bixler et al.	D18/54
D221,594	S	*	8/1971	Jamieson	D18/39
D239,719	S	*	4/1976	Tooke	D18/54
D301,485	S	*	6/1989	Kato	D18/55
D394,452	S	*	5/1998	Iwamoto	D18/54
D467,963	S	*	12/2002	Miyahara	D18/54
D478,618	S	*	8/2003	Obara	D18/54
D563,397	S	*	3/2008	Oliver	D14/230
D650,387	S	*	12/2011	Iwatsu	D14/422
D703,735	S	*	4/2014	Best	D18/50
D703,736	S	*	4/2014	Best	D18/50
D713,845	S	*	9/2014	Taniho	D14/422
D723,562	S	*	3/2015	Inada	D14/422

* cited by examiner

Primary Examiner — Cathy Anne MacCormac

(74) *Attorney, Agent, or Firm* — NSIP Law

(57) **CLAIM**

We claim the ornamental design for a printer, as shown and described.

DESCRIPTION

FIG. 1 is a front perspective view of a printer showing our new design;
FIG. 2 is a front view thereof;
FIG. 3 is a rear view thereof;
FIG. 4 is a left-side view thereof;
FIG. 5 is a right-side view thereof;
FIG. 6 is a top view thereof; and,
FIG. 7 is a bottom view thereof.
The broken lines in the figures depict environmental subject matter which form no part of the claimed design.

1 Claim, 7 Drawing Sheets

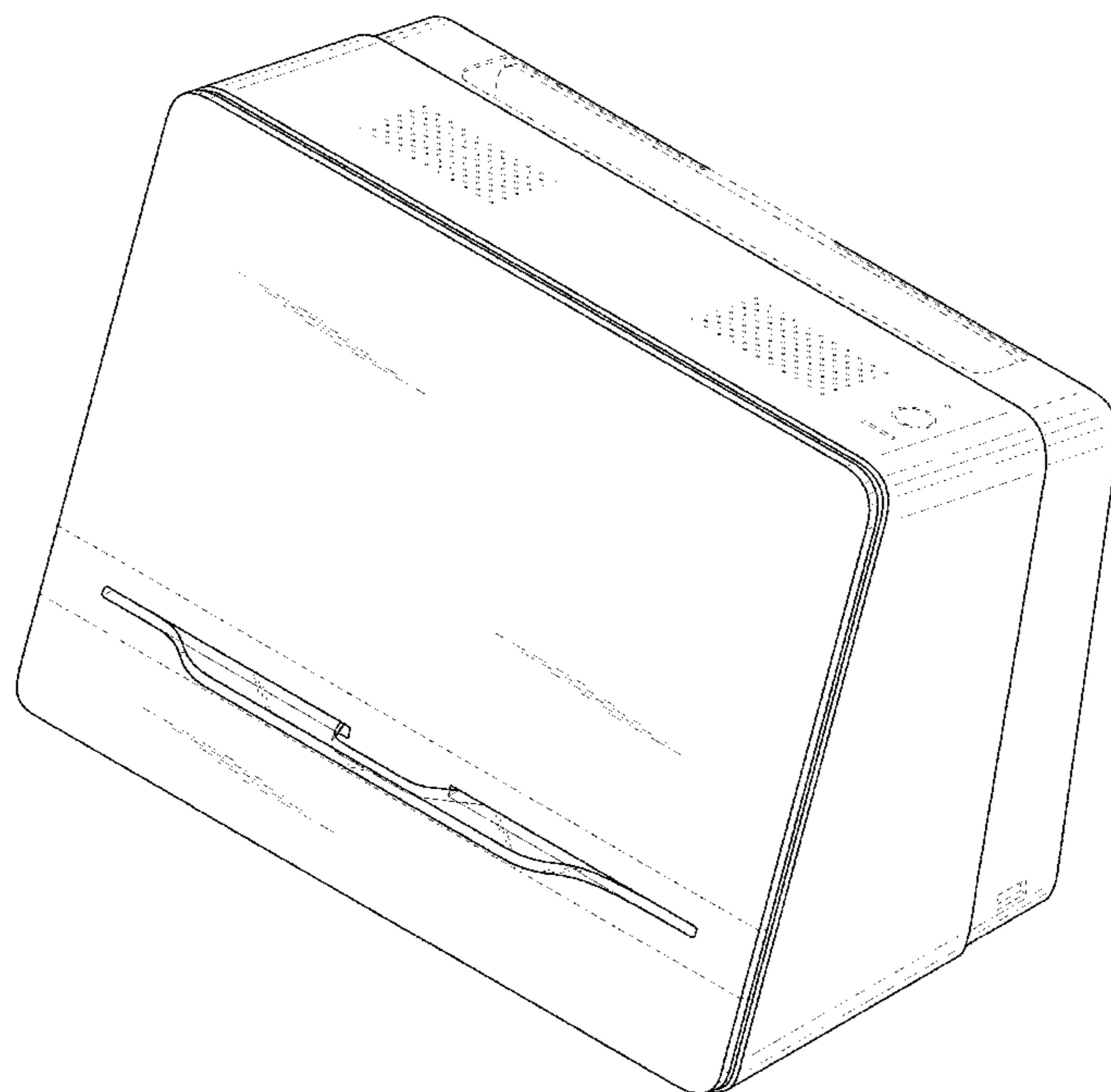


FIG.1

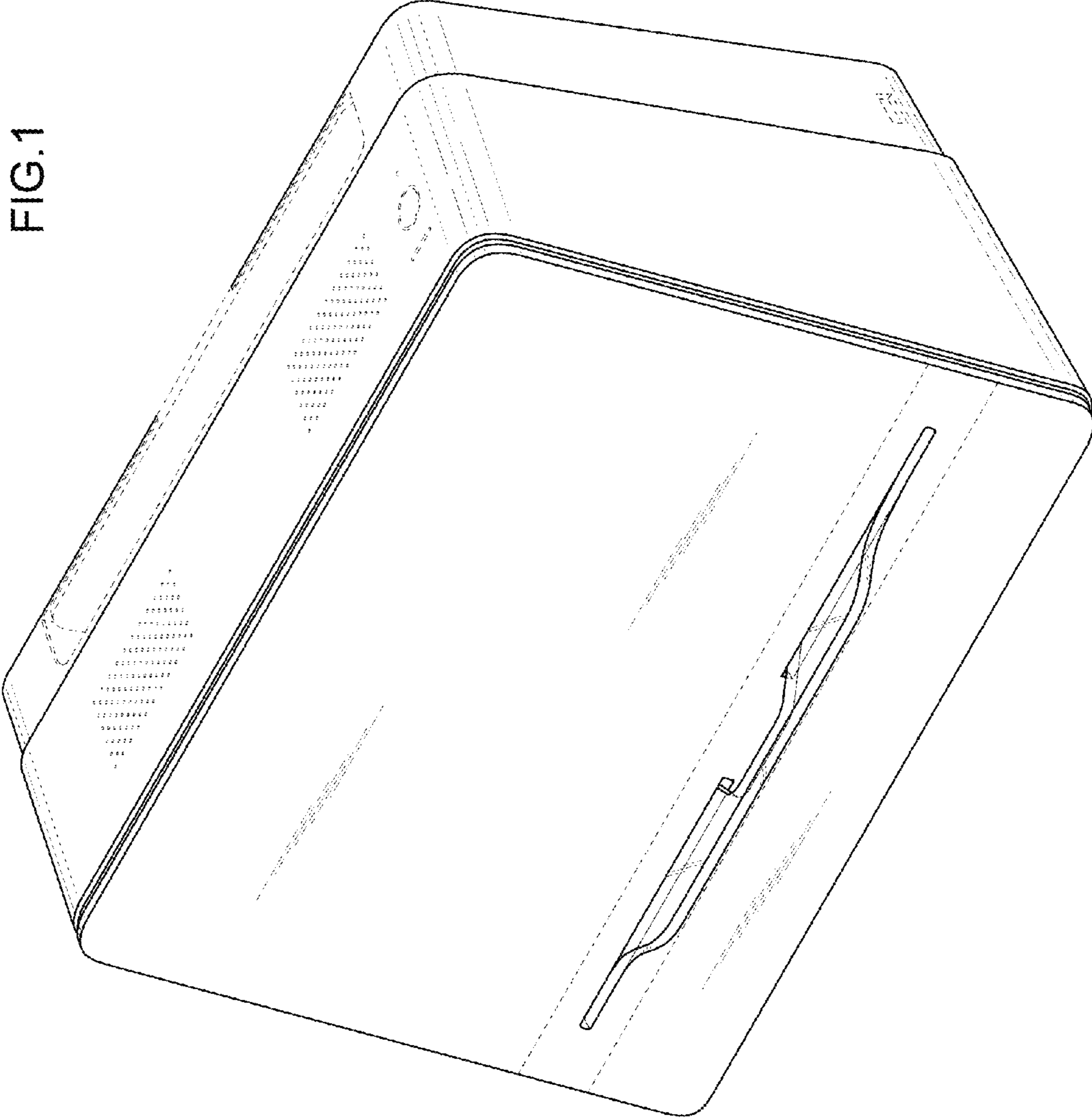


FIG.2

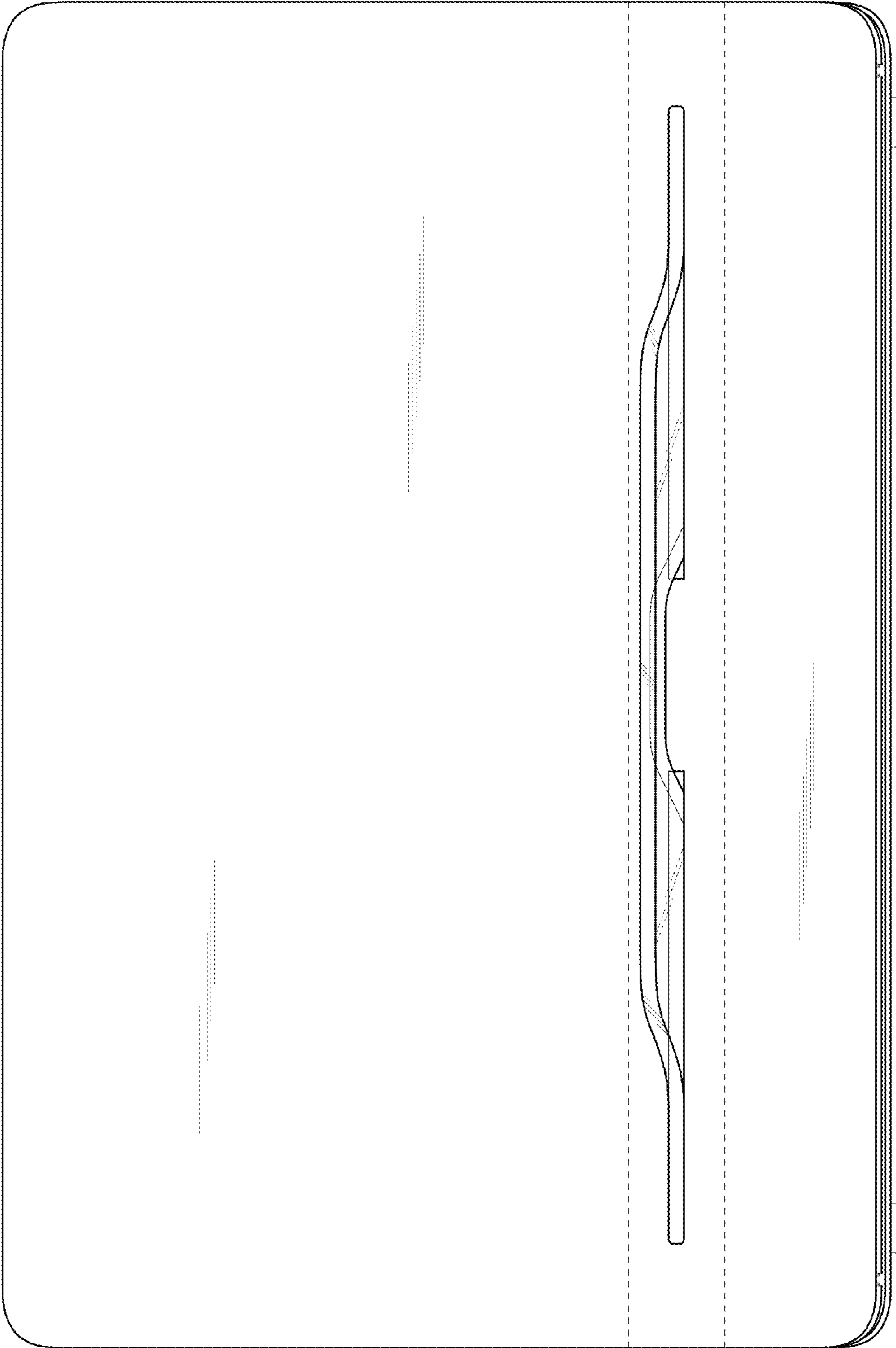


FIG.3

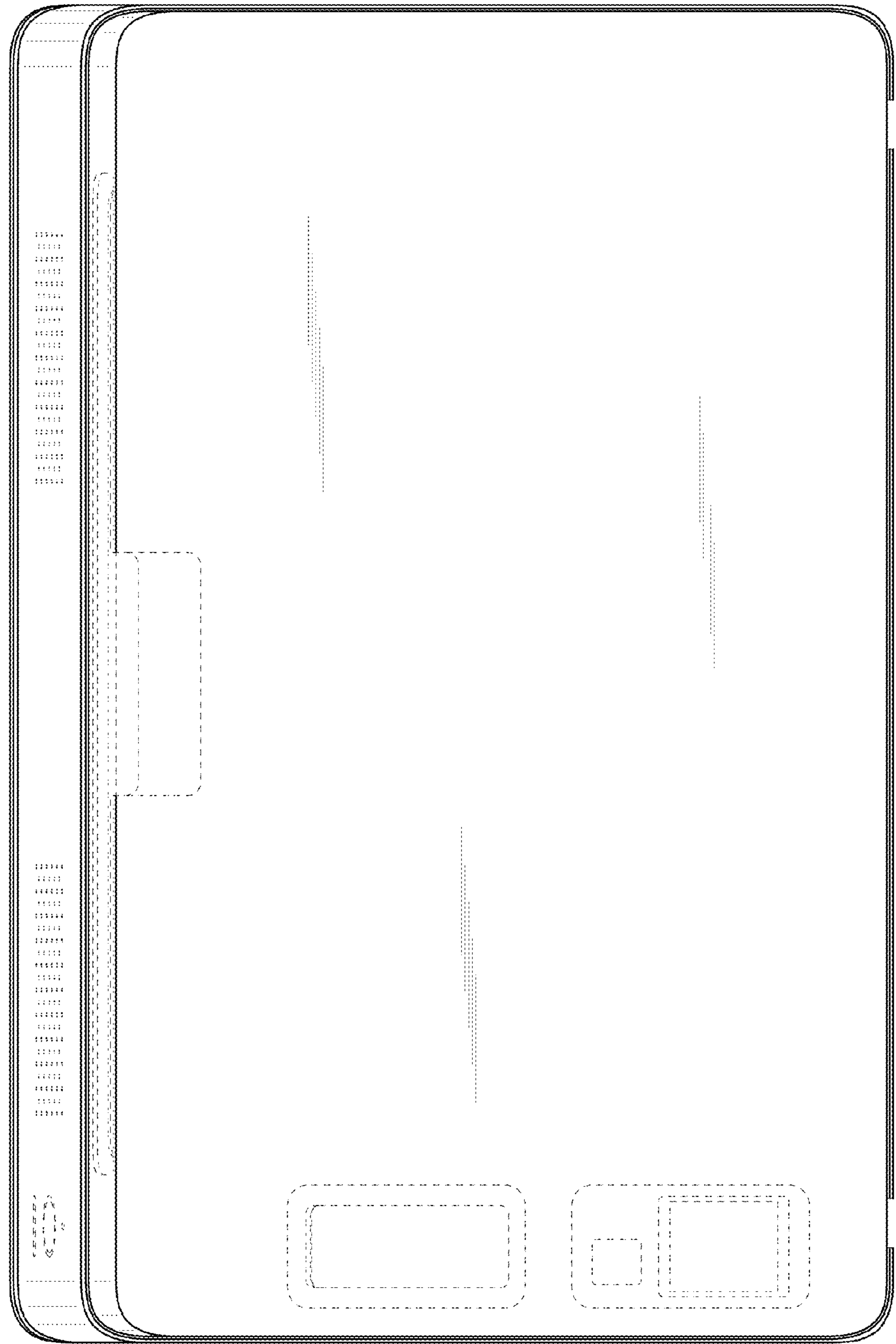


FIG.4

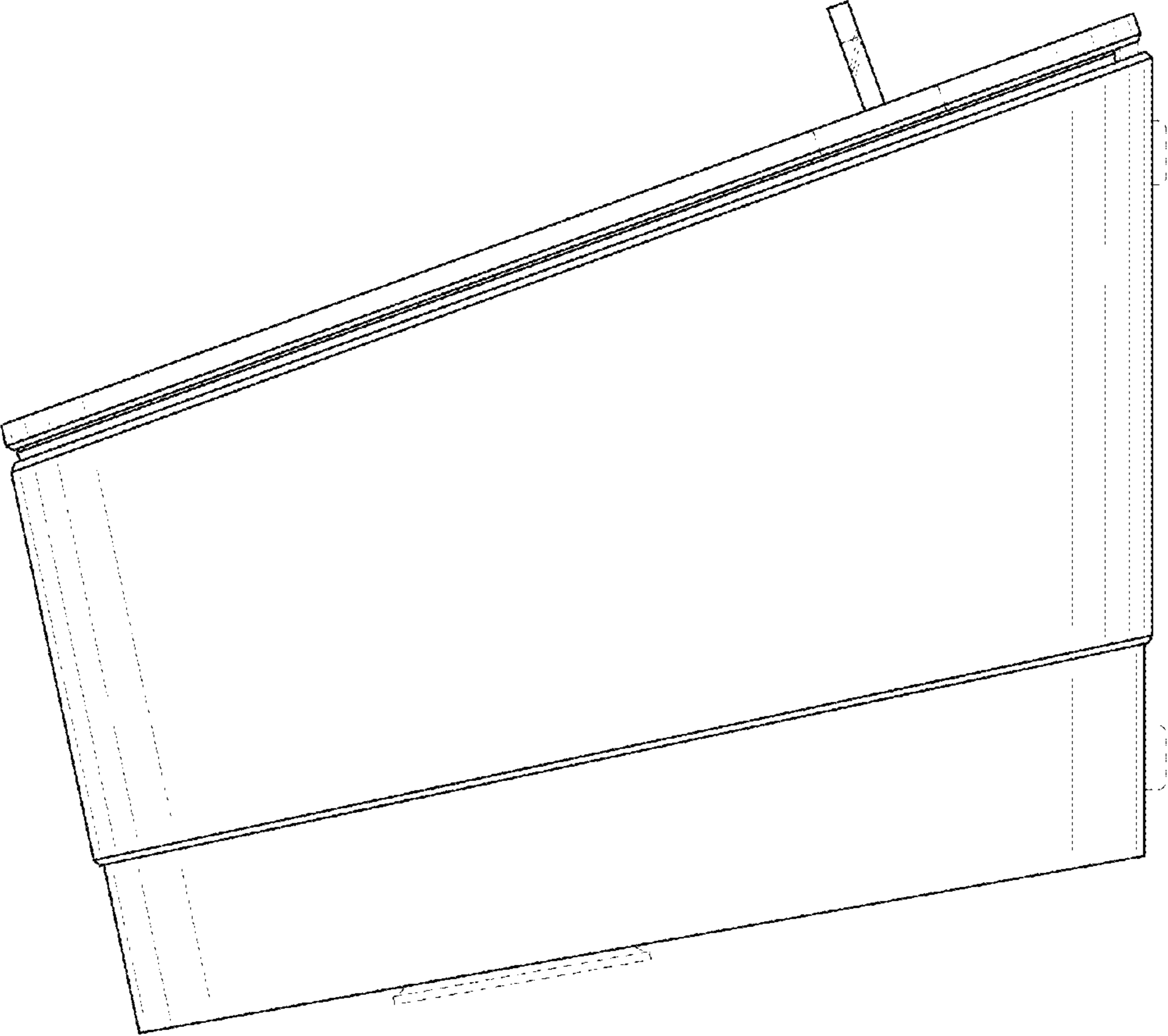


FIG.5

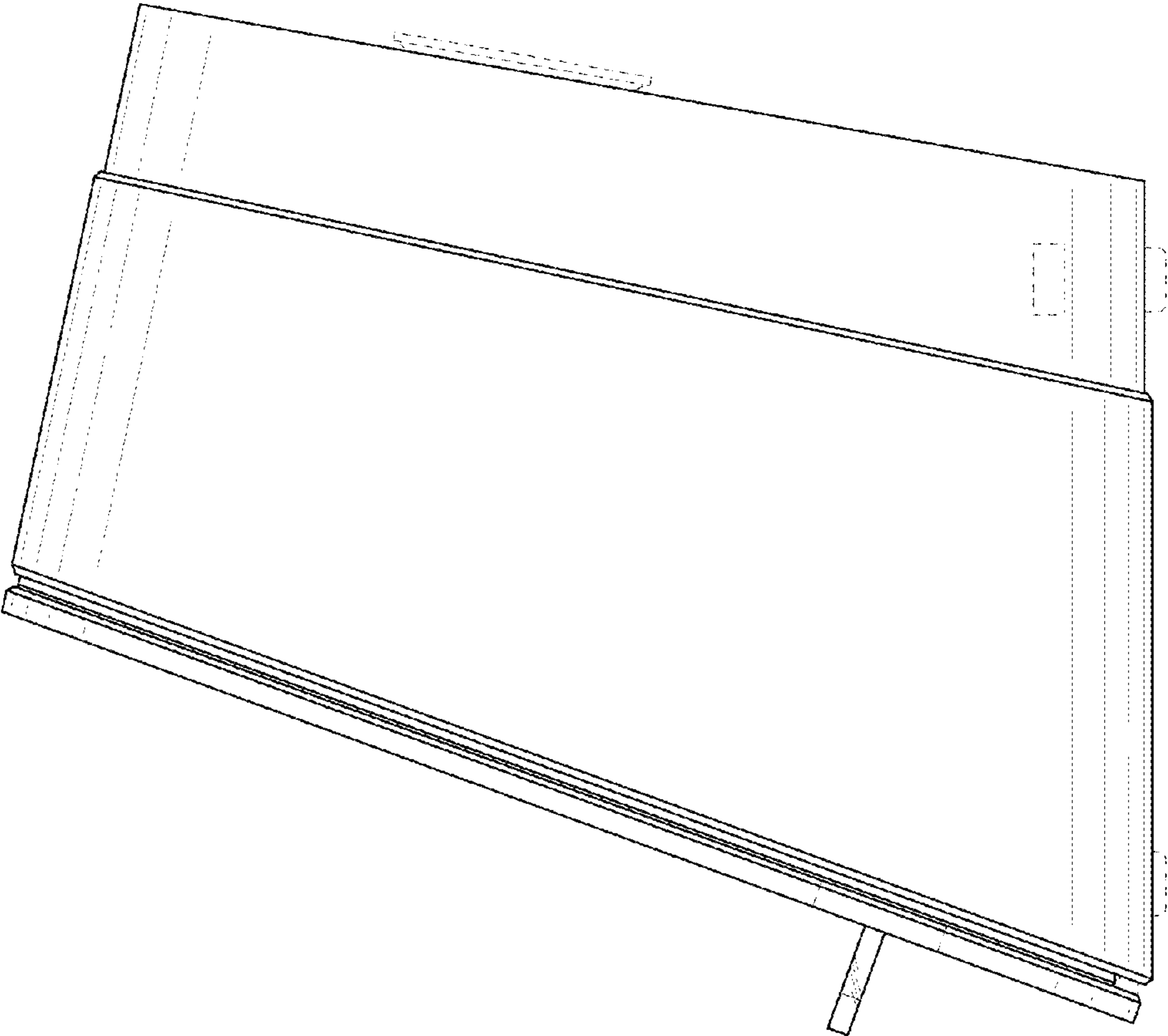


FIG.6

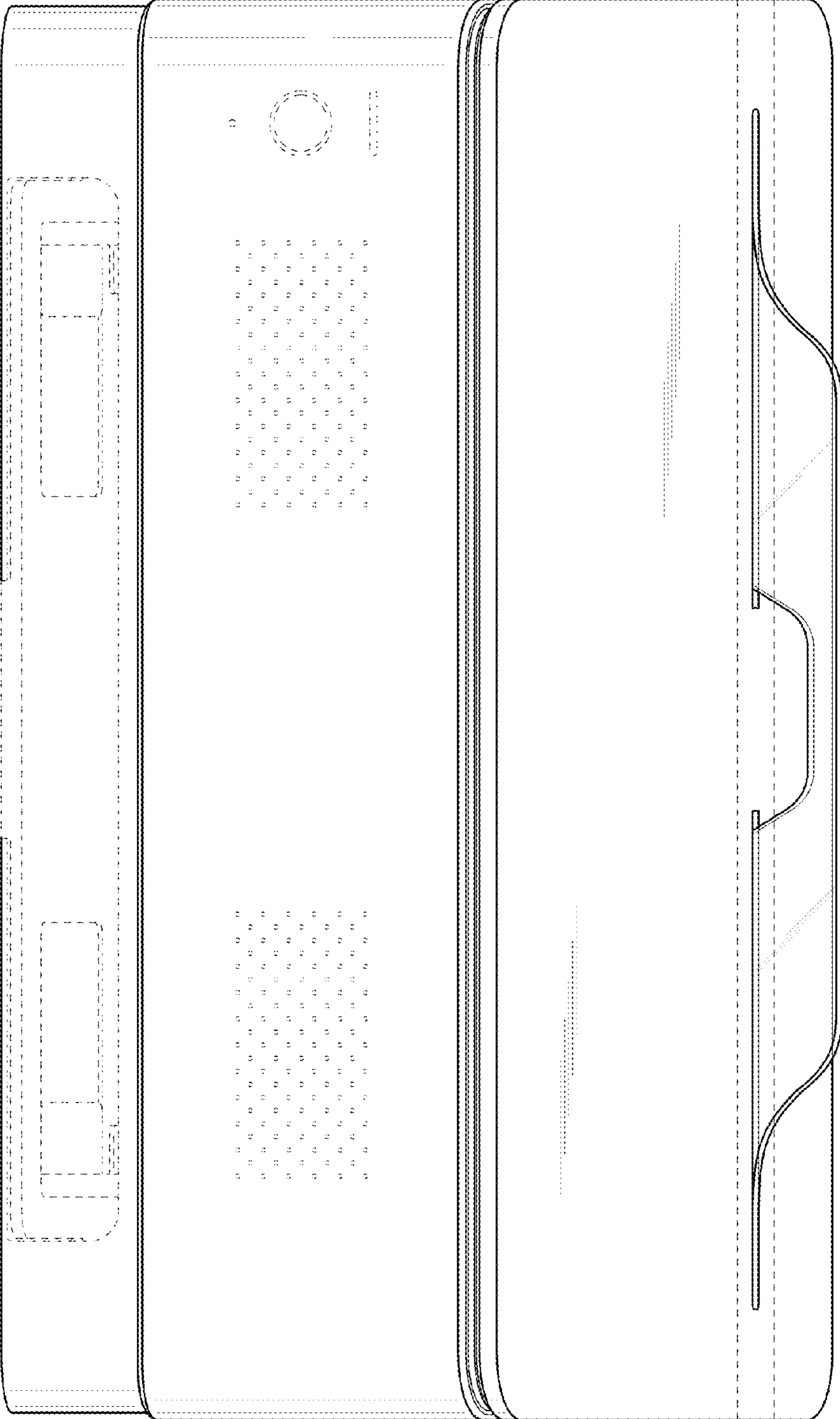


FIG. 7

