



US00D759156S

(12) **United States Design Patent**  
**Williamson et al.**

(10) **Patent No.:** **US D759,156 S**  
(45) **Date of Patent:** **\*\* Jun. 14, 2016**

(54) **LASER PRINTER TONER CARTRIDGE**

(71) Applicant: **Lexmark International, Inc.**,  
Lexington, KY (US)

(72) Inventors: **Randal Scott Williamson**, Georgetown,  
KY (US); **John Andrew Buchanan**,  
Charlotte, NC (US)

(73) Assignee: **Lexmark International, Inc.**,  
Lexington, KY (US)

(\*\*) Term: **14 Years**

(21) Appl. No.: **29/506,042**

(22) Filed: **Oct. 13, 2014**

(51) **LOC (10) Cl.** ..... **16-03**

(52) **U.S. Cl.**  
USPC ..... **D18/43**

(58) **Field of Classification Search**  
USPC ..... D18/18, 40, 43, 56, 99  
CPC ..... G03G 15/0832; G03G 15/0834; G03G  
15/0836; G03G 15/0837; G03G 15/0867;  
G03G 15/0868; G03G 15/0872; G03G  
15/0877; G03G 15/0898; G03G 15/50;  
G03G 15/5016; G03G 15/60; G03G 15/65  
See application file for complete search history.

(56) **References Cited**

**U.S. PATENT DOCUMENTS**

D410,247	S *	5/1999	Nomura	.....	D18/40
D529,948	S *	10/2006	Jimba	.....	D18/43
7,258,558	B1	8/2007	Dawson et al.		
7,272,336	B1	9/2007	Dawson et al.		
7,321,739	B1	1/2008	Dawson et al.		
7,548,710	B2	6/2009	Gayne et al.		
7,606,520	B2	10/2009	Dawson		
7,672,624	B2	3/2010	Dawson et al.		
7,813,656	B2	10/2010	Dawson		
7,831,168	B2	11/2010	Allen et al.		

8,200,126	B2	6/2012	Chaudhuri et al.		
8,238,799	B2	8/2012	Dawson et al.		
D698,388	S *	1/2014	Nodera	.....	D18/43
D698,857	S *	2/2014	Nodera	.....	D18/43
D698,858	S *	2/2014	Nodera	.....	D18/43
2013/0287448	A1	10/2013	Baker et al.		

**OTHER PUBLICATIONS**

Design U.S. Appl. No. 29/506,038, filed Oct. 13, 2014.  
Design U.S. Appl. No. 29/506,039, filed Oct. 13, 2014.  
Design U.S. Appl. No. 29/506,043, filed Oct. 13, 2014.  
Lexmark C540 Black Toner Cartridge publicly sold in 2008 (9 photographs attached).  
Lexmark C540 Yellow Toner Cartridge publicly sold in 2008 (9 photographs attached).

(Continued)

*Primary Examiner* — Daniel Bui

*Assistant Examiner* — Khawaja Anwar

(74) *Attorney, Agent, or Firm* — Justin M Tromp

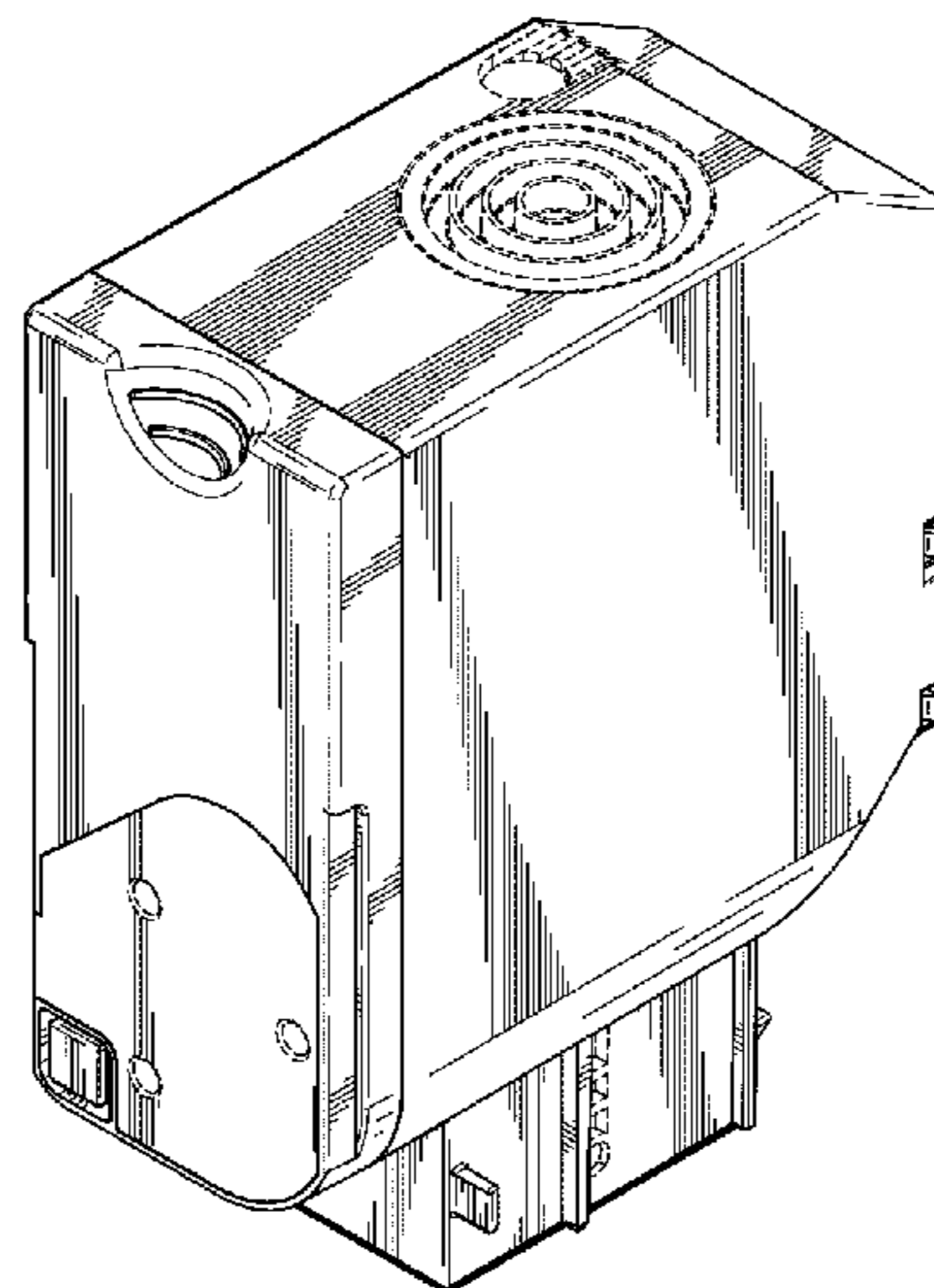
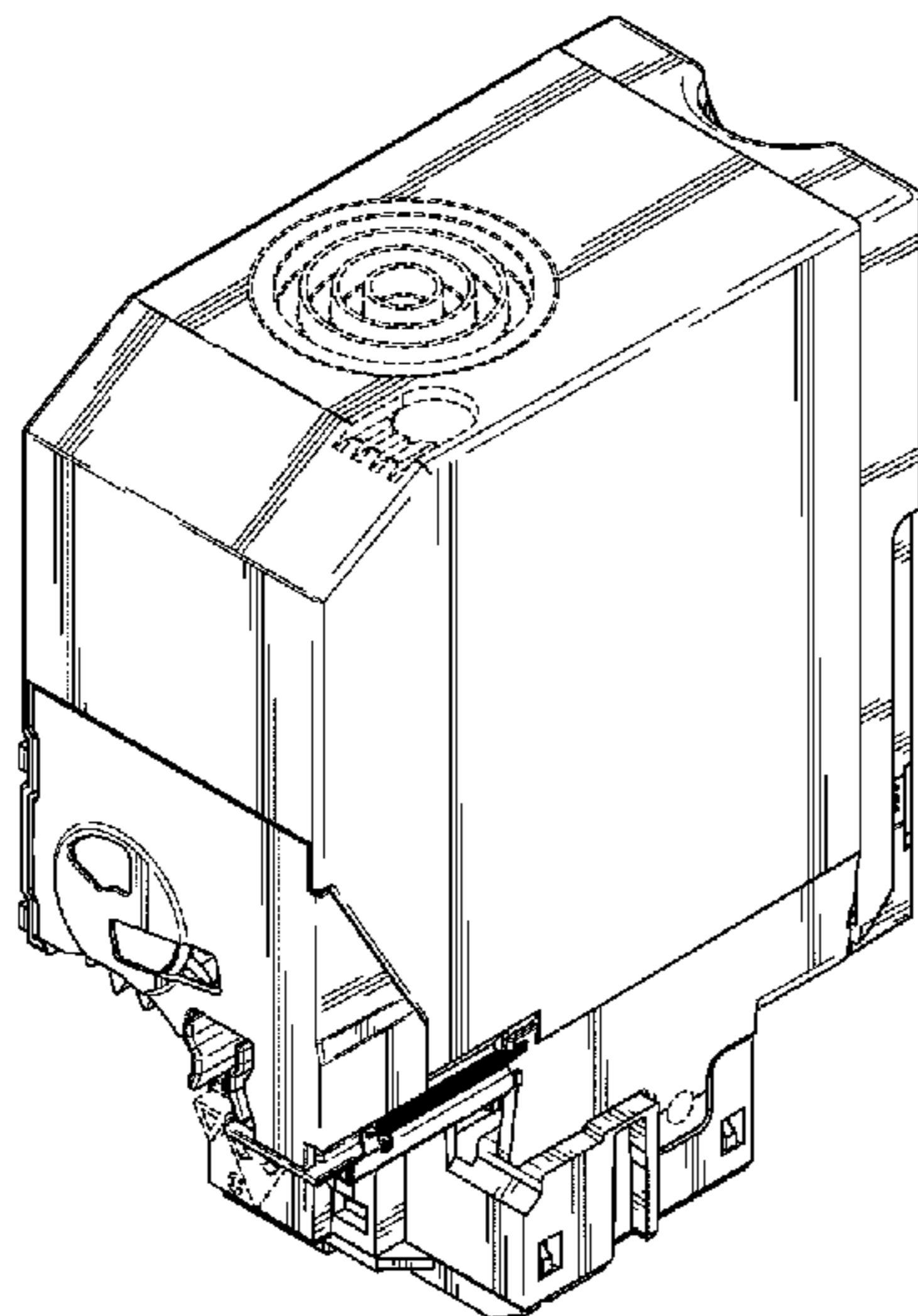
(57) **CLAIM**

The ornamental design for a laser printer toner cartridge, as shown and described.

**DESCRIPTION**

FIG. 1 is a front, right side perspective view of a laser printer toner cartridge, showing our new design;  
FIG. 2 is a rear, left side perspective view thereof;  
FIG. 3 is a front, right side perspective view thereof;  
FIG. 4 is a front elevation view thereof;  
FIG. 5 is a right side elevation view thereof;  
FIG. 6 is a rear elevation view thereof;  
FIG. 7 is a left side elevation view thereof;  
FIG. 8 is a top plan view thereof; and,  
FIG. 9 is a bottom plan view thereof.  
The features shown in broken lines depict environmental subject matter only and form no part of the claimed design.

**1 Claim, 9 Drawing Sheets**



(56)

**References Cited**

OTHER PUBLICATIONS

Lexmark CS510 Black Toner Cartridge publicly sold in 2012 (9 photographs attached).

Lexmark C540 Cyan Toner Cartridge publicly sold in 2012 (9 photographs attached).

\* cited by examiner

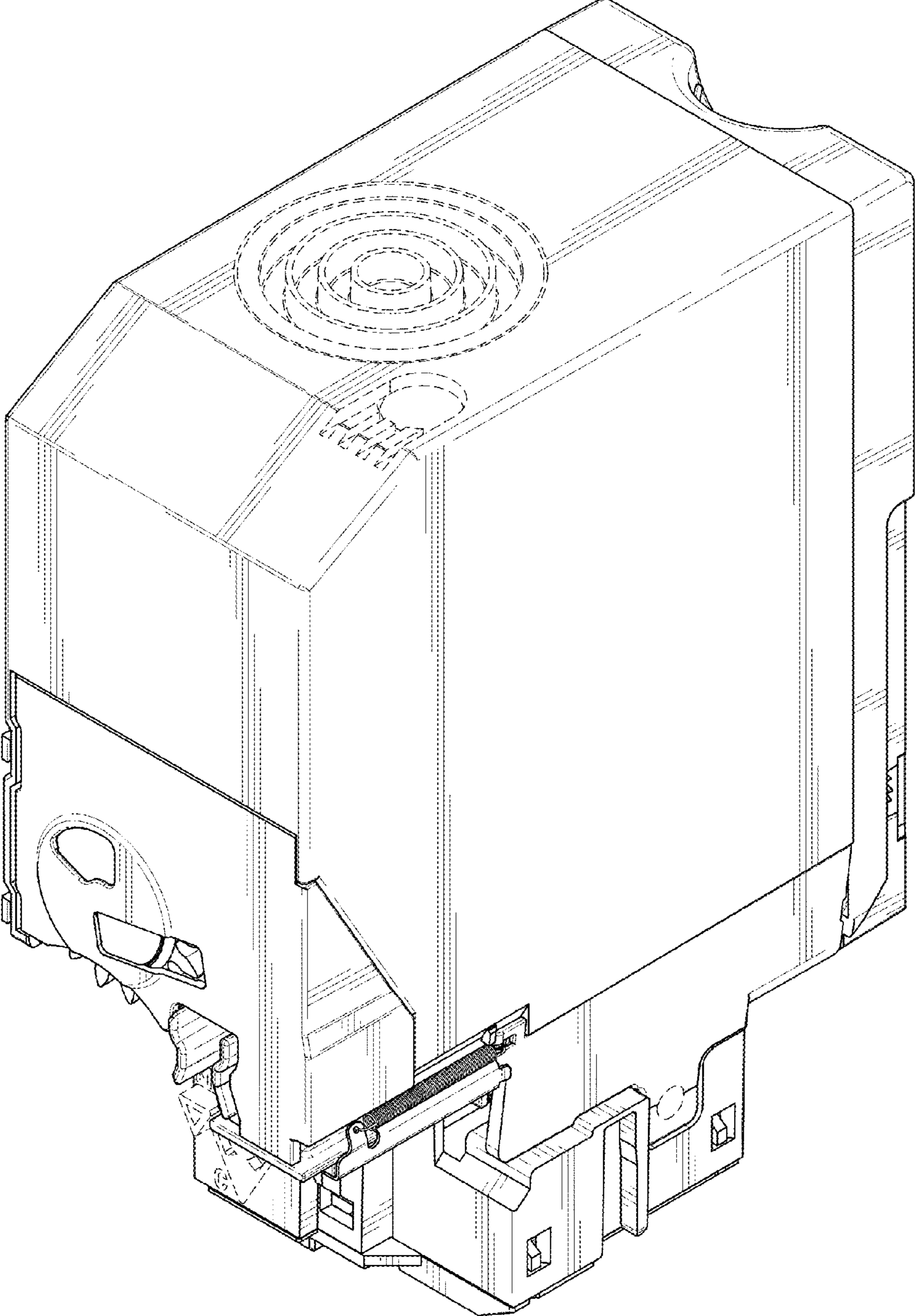


FIG. 1

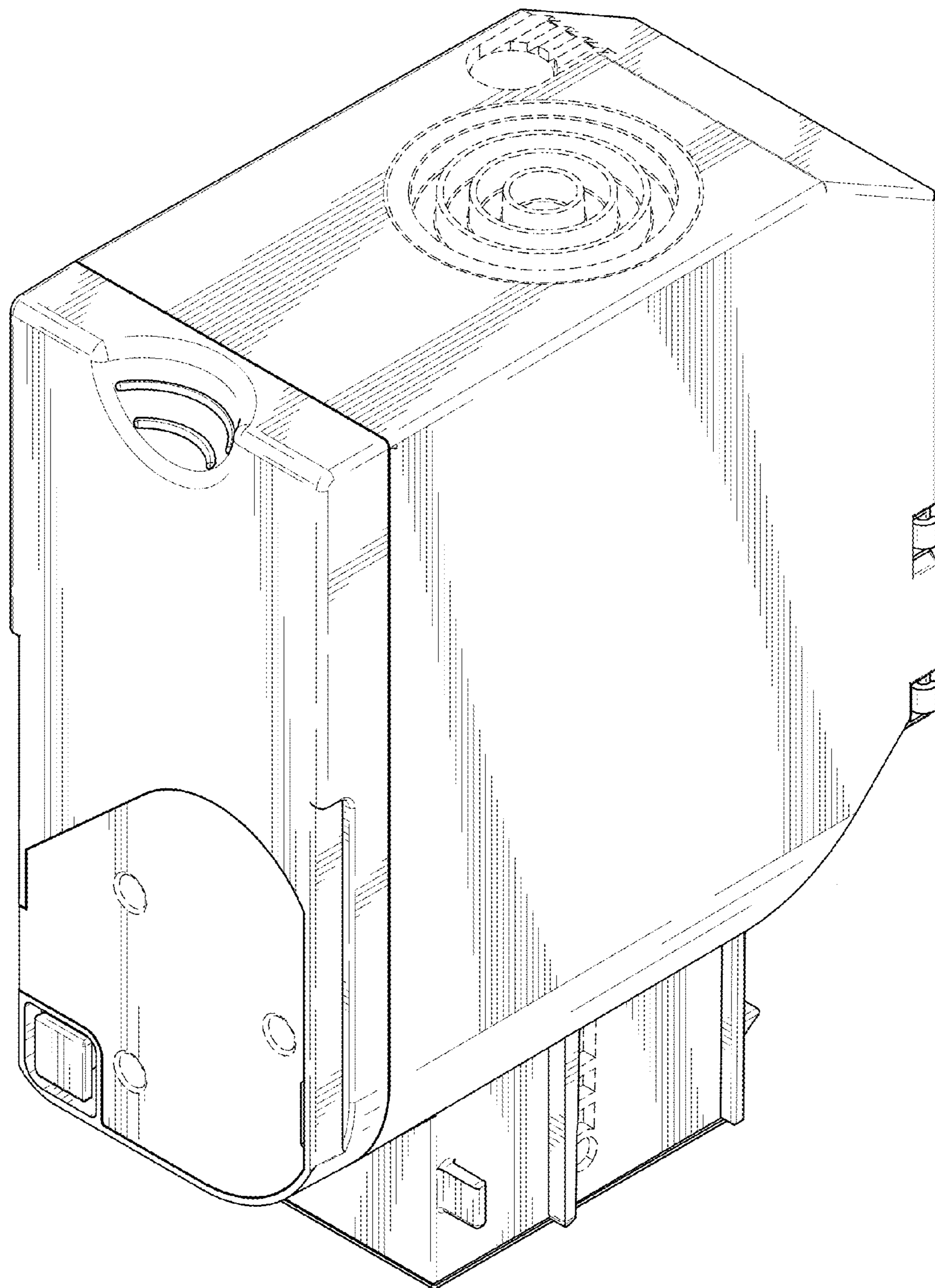


FIG. 2

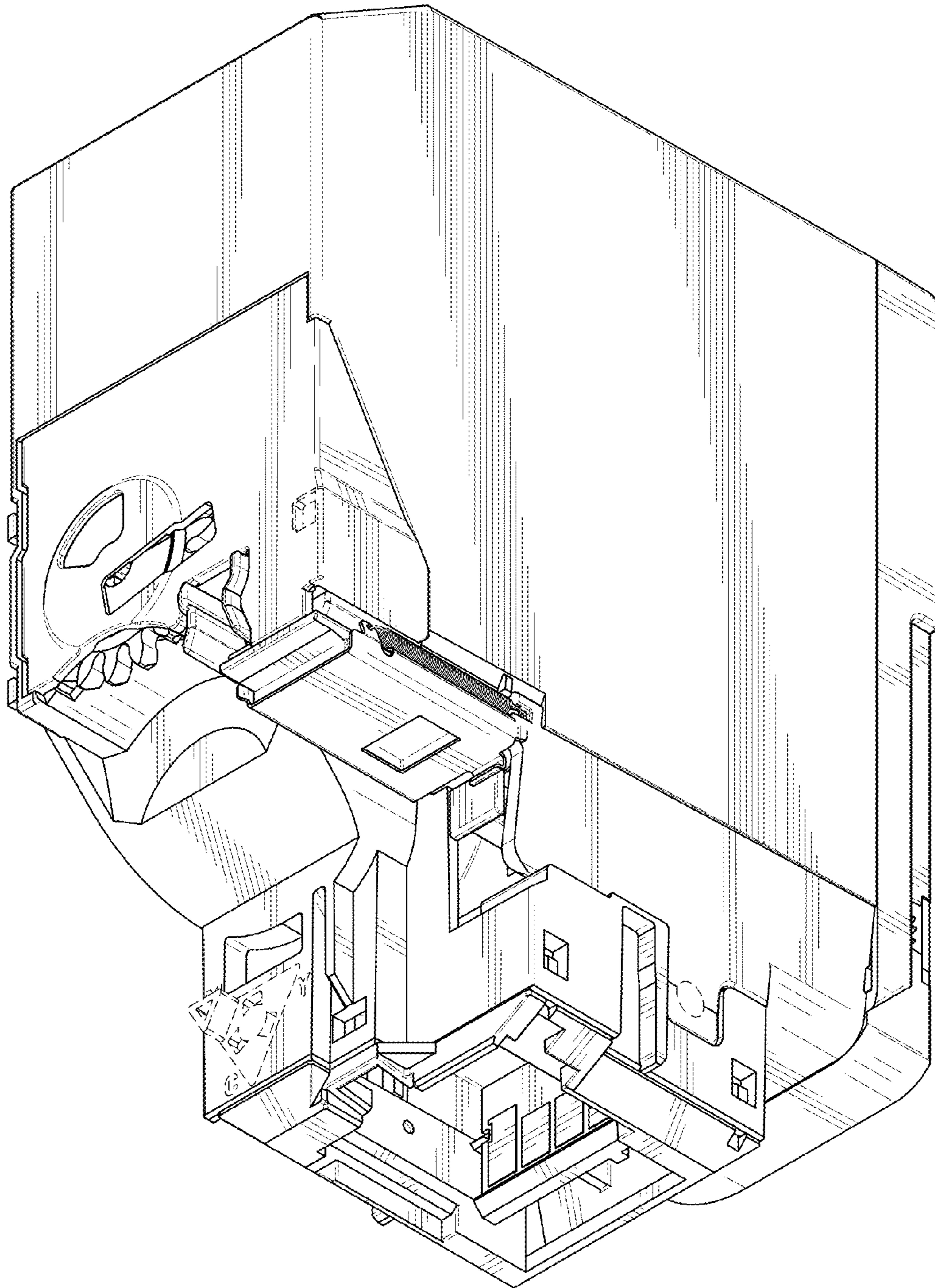


FIG. 3

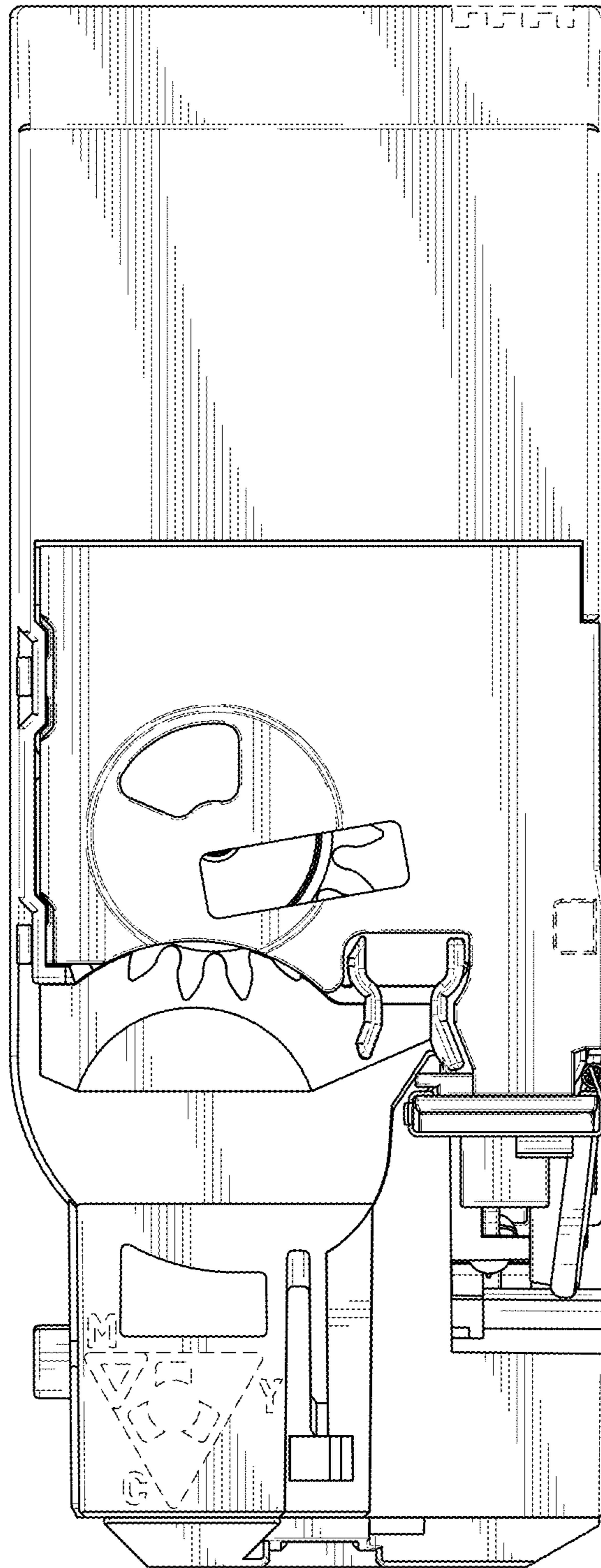


FIG. 4

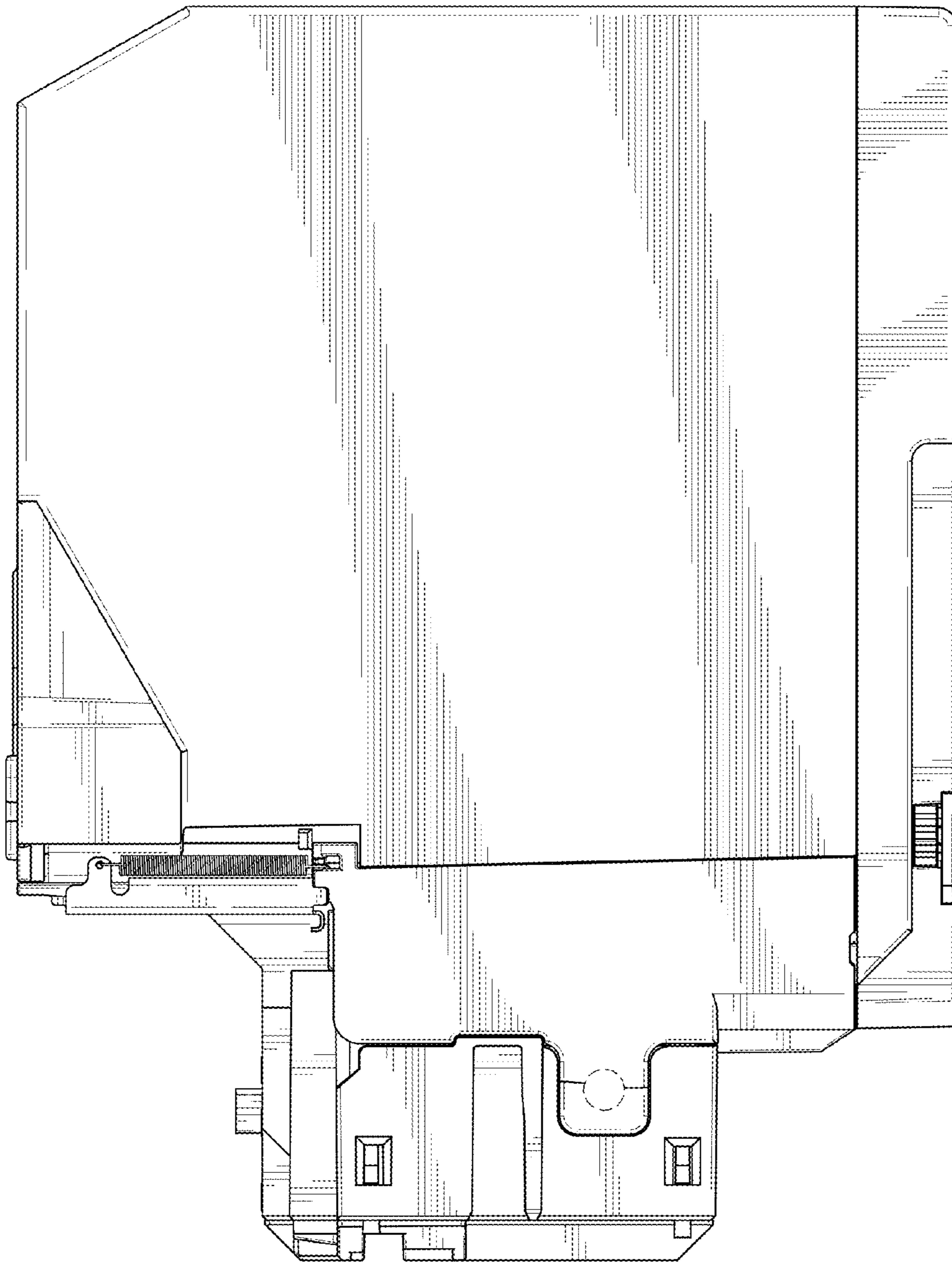


FIG. 5

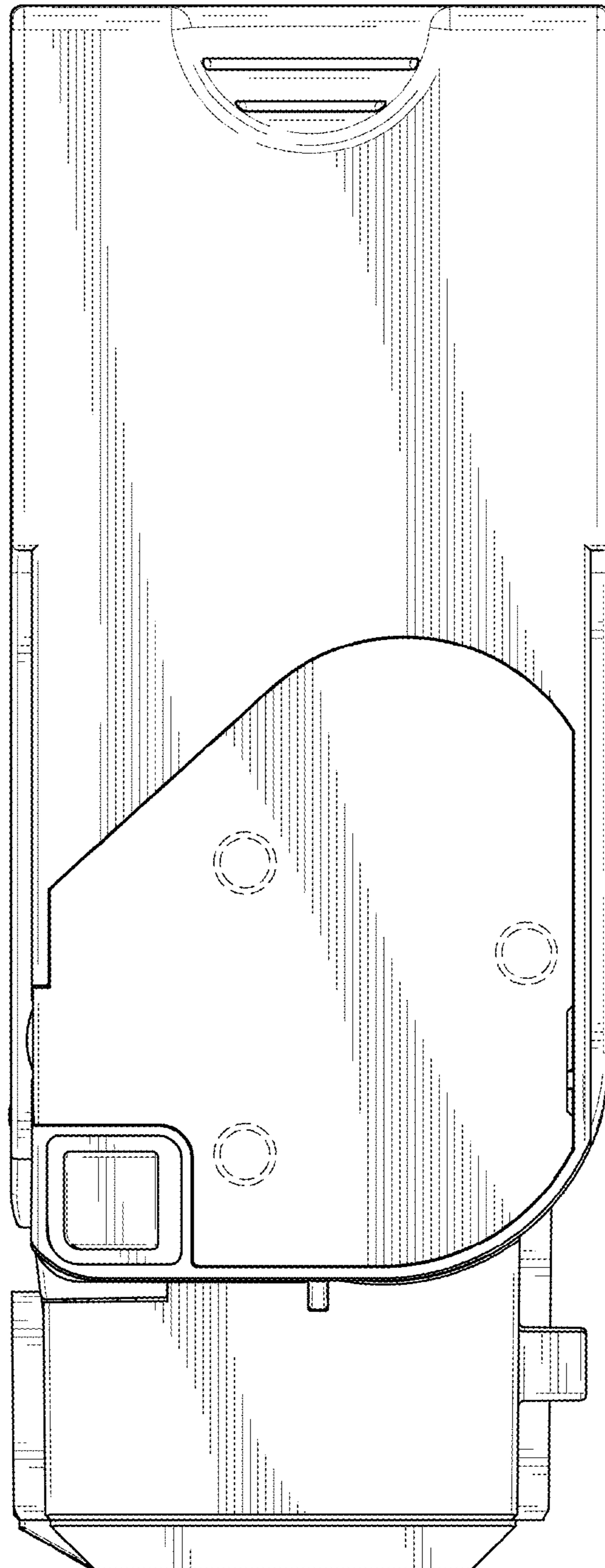


FIG. 6



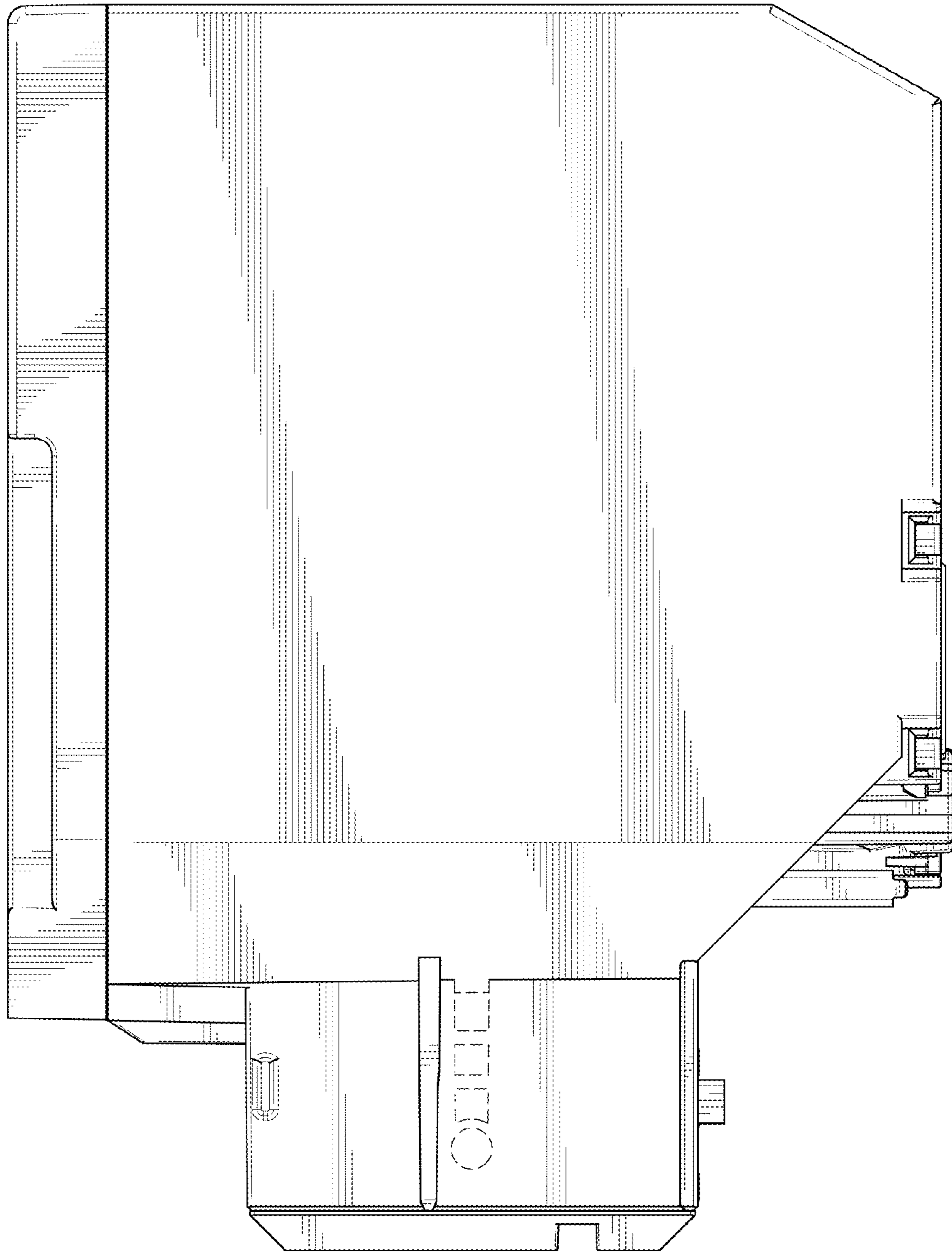


FIG. 7

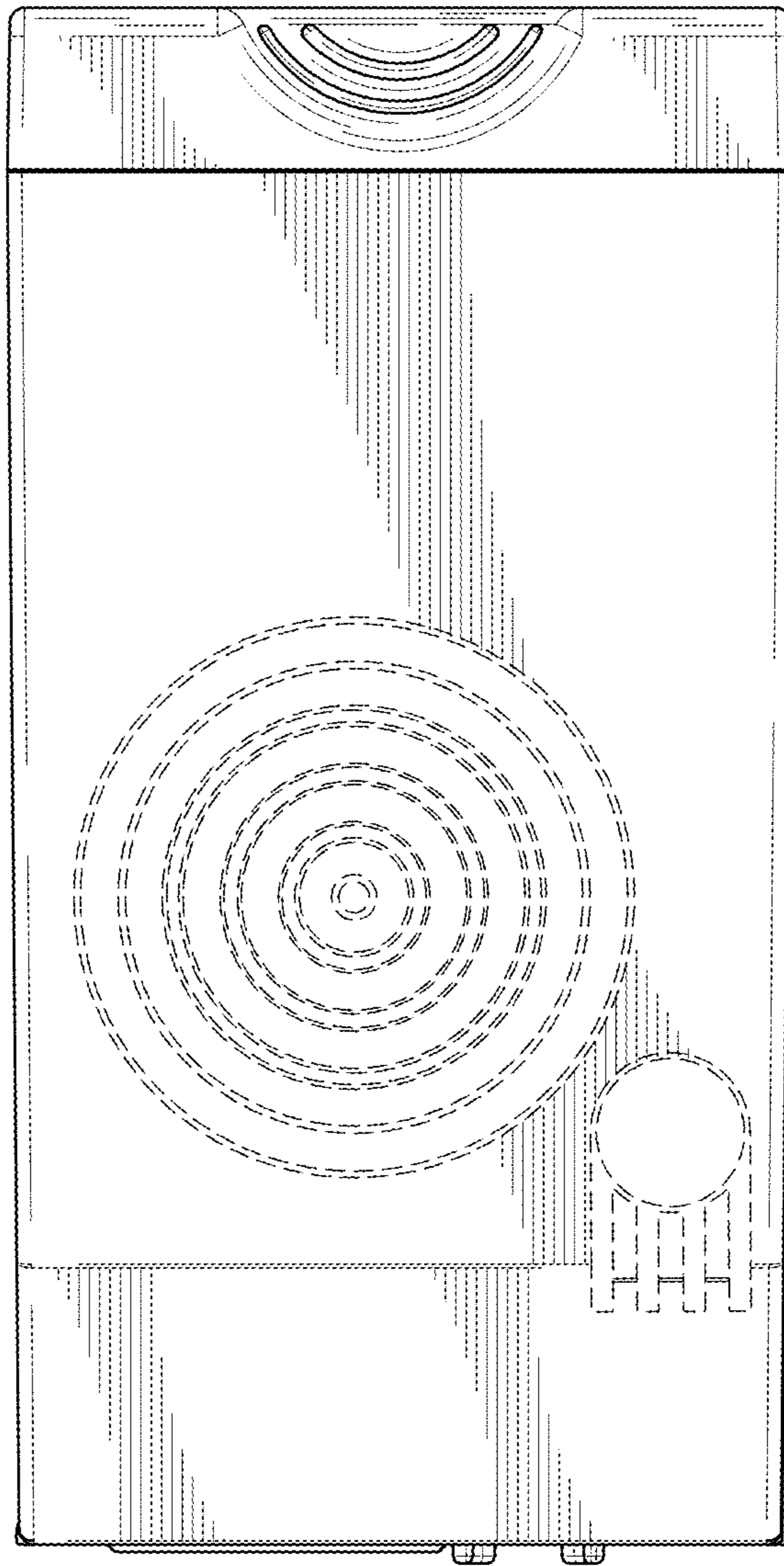


FIG. 8

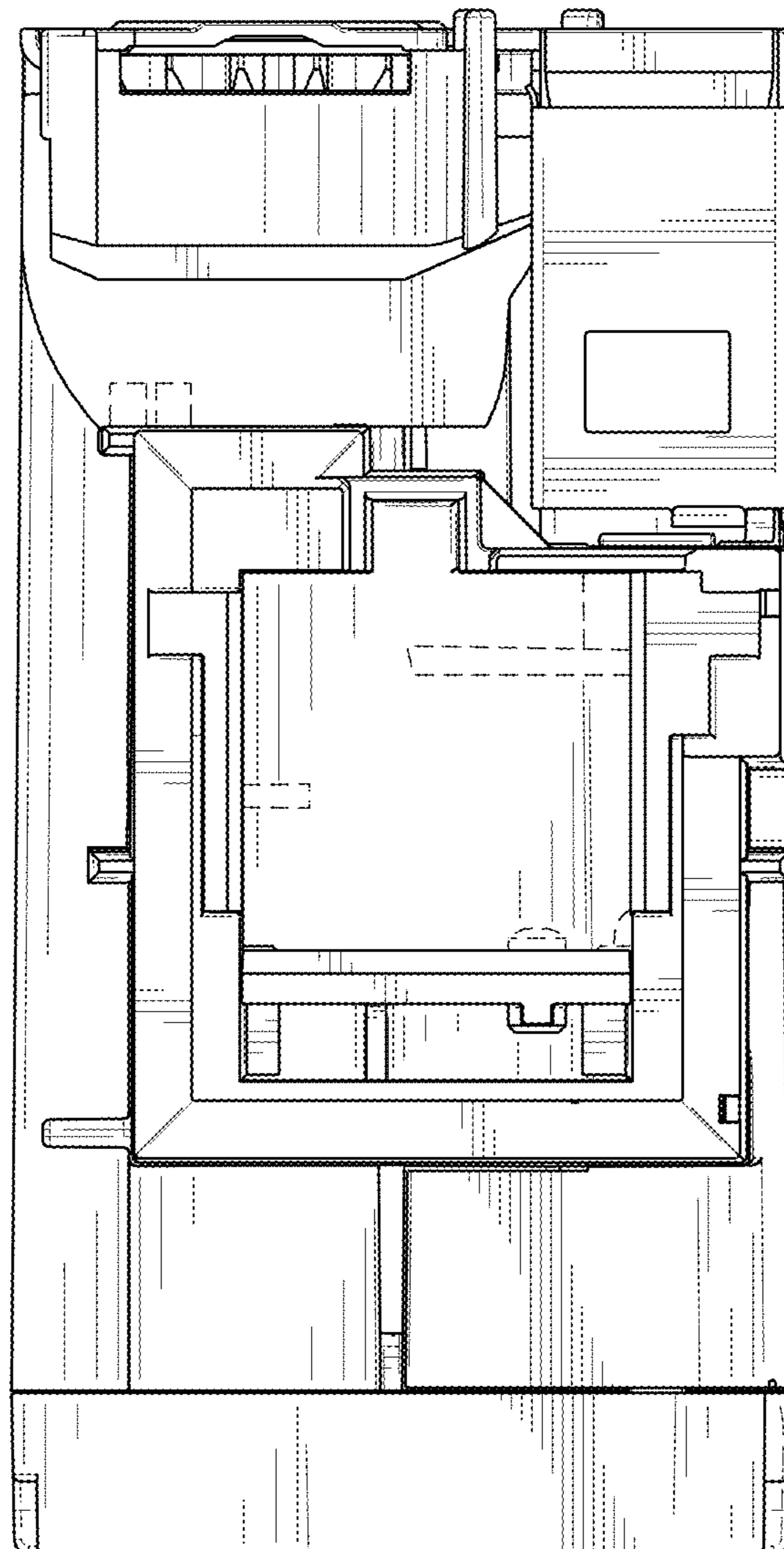


FIG. 9