



US00D759154S

(12) **United States Design Patent**
Williamson et al.

(10) **Patent No.:** **US D759,154 S**
(45) **Date of Patent:** **** Jun. 14, 2016**

(54) **LASER PRINTER TONER CARTRIDGE**

(71) Applicant: **Lexmark International, Inc.**,
Lexington, KY (US)

(72) Inventors: **Randal Scott Williamson**, Georgetown,
KY (US); **John Andrew Buchanan**,
Charlotte, NC (US)

(73) Assignee: **Lexmark International, Inc.**,
Lexington, KY (US)

(**) Term: **14 Years**

(21) Appl. No.: **29/506,038**

(22) Filed: **Oct. 13, 2014**

(51) **LOC (10) Cl.** **16-03**

(52) **U.S. Cl.**
USPC **D18/43**

(58) **Field of Classification Search**
USPC D18/18, 40, 43, 56, 99
CPC G03G 15/0832; G03G 15/0834; G03G
15/0836; G03G 15/0837; G03G 15/0867;
G03G 15/0868; G03G 15/0872; G03G
15/0877; G03G 15/0898; G03G 15/50;
G03G 15/5016; G03G 15/60; G03G 15/65
See application file for complete search history.

(56) **References Cited**

U.S. PATENT DOCUMENTS

D410,247	S *	5/1999	Nomura	D18/40
D529,948	S *	10/2006	Jimba	D18/43
7,258,558	B1	8/2007	Dawson et al.		
7,272,336	B1	9/2007	Dawson et al.		
7,321,739	B1	1/2008	Dawson et al.		
7,548,710	B2	6/2009	Gayne et al.		
7,606,520	B2	10/2009	Dawson		
7,672,624	B2	3/2010	Dawson et al.		
7,813,656	B2	10/2010	Dawson		
7,831,168	B2	11/2010	Allen et al.		

8,200,126	B2	6/2012	Chaudhuri et al.		
8,238,799	B2	8/2012	Dawson et al.		
D698,388	S *	1/2014	Nodera	D18/43
D698,857	S *	2/2014	Nodera	D18/43
D698,858	S *	2/2014	Nodera	D18/43
2013/0287448	A1	10/2013	Baker et al.		

OTHER PUBLICATIONS

Design U.S. Appl. No. 29/506,039, filed Oct. 13, 2014.
Design U.S. Appl. No. 29/506,042, filed Oct. 13, 2014.
Design U.S. Appl. No. 29/506,043, filed Oct. 13, 2014.
Lexmark C540 Black Toner Cartridge publicly sold in 2008 (9 photographs attached).
Lexmark C540 Yellow Toner Cartridge publicly sold in 2008 (9 photographs attached).

(Continued)

Primary Examiner — Daniel Bui

Assistant Examiner — Khawaja Anwar

(74) *Attorney, Agent, or Firm* — Justin M Tromp

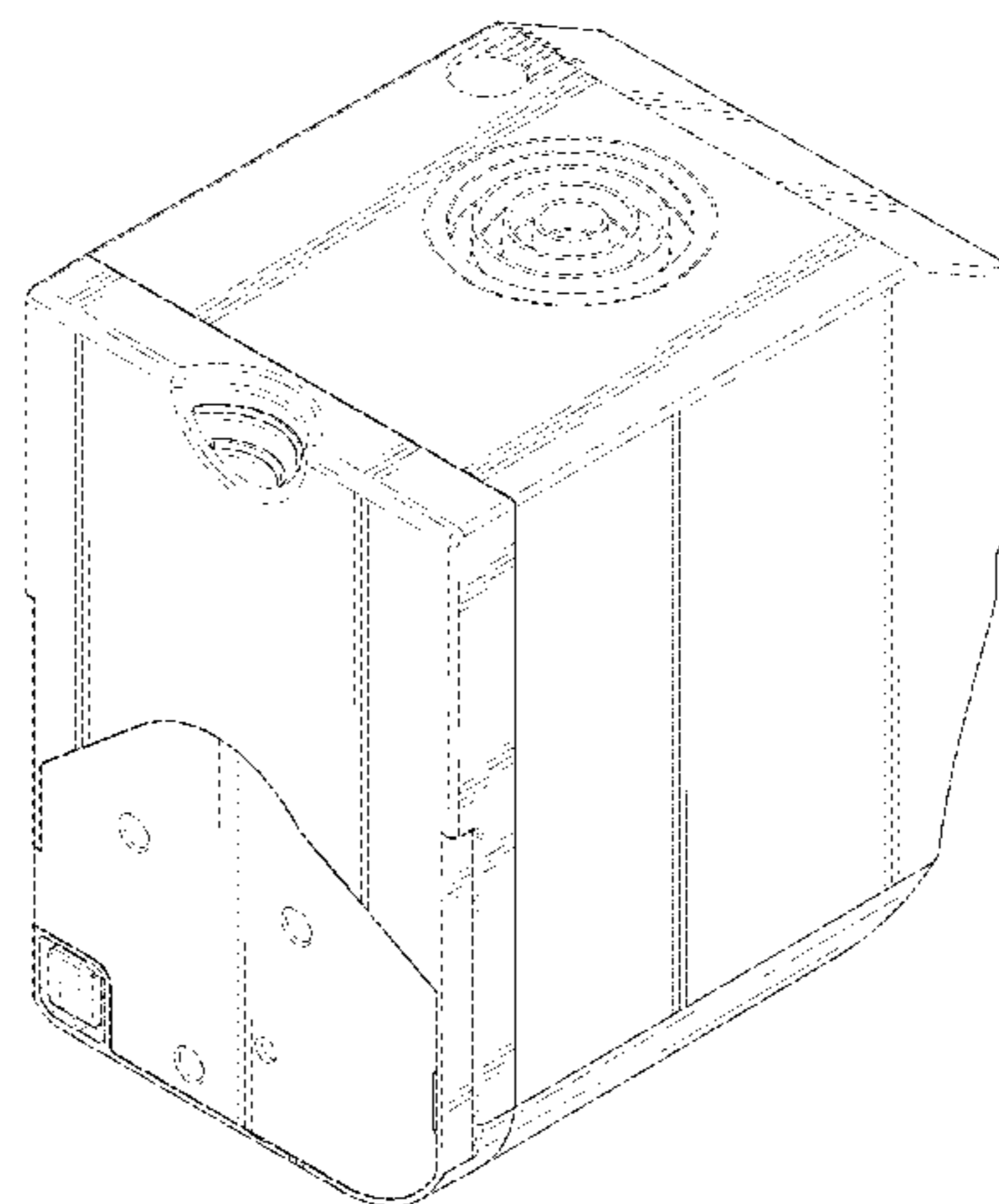
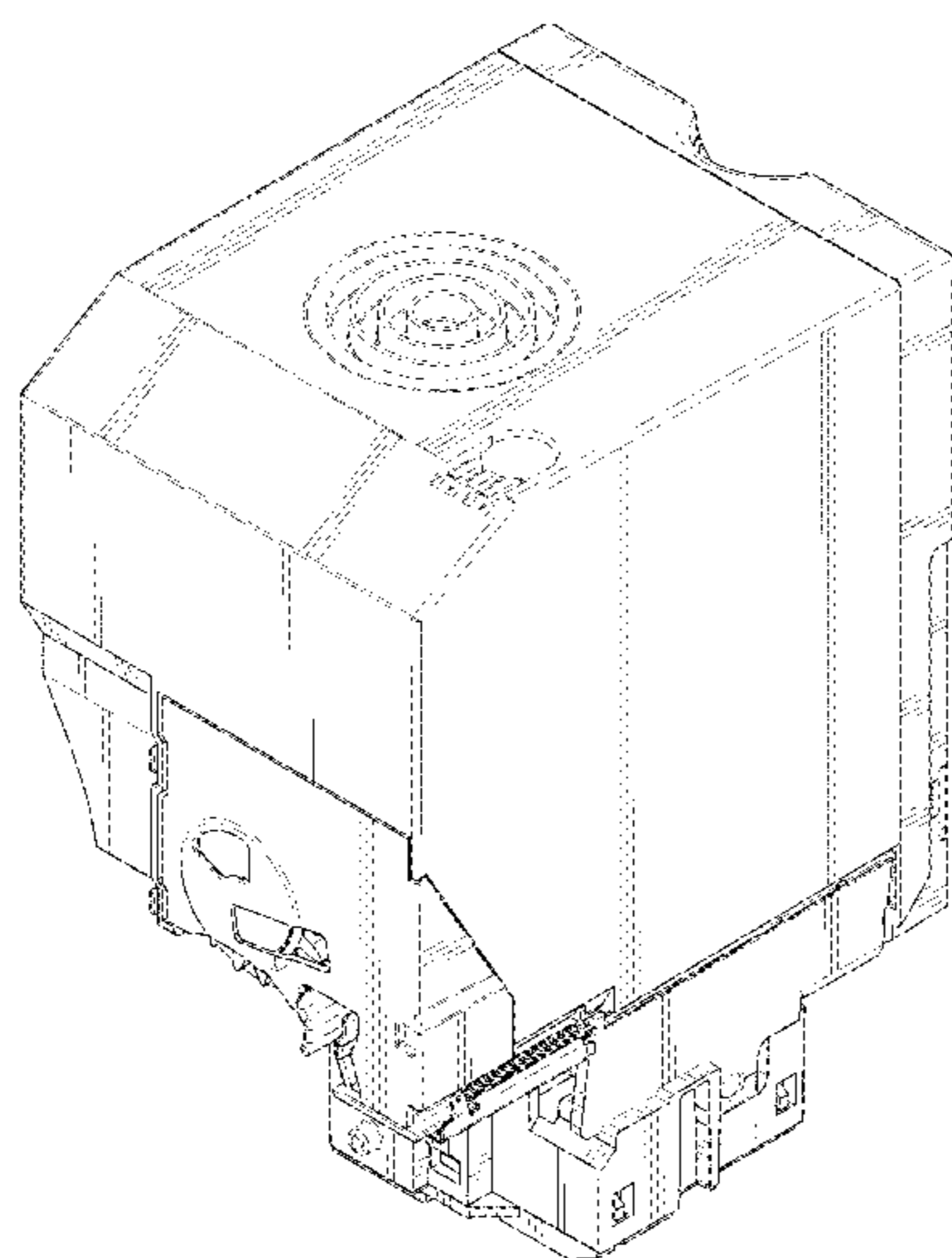
(57) **CLAIM**

The ornamental design for a laser printer toner cartridge, as shown and described.

DESCRIPTION

FIG. 1 is a front, right side perspective view of a laser printer toner cartridge, showing our new design;
FIG. 2 is a rear, left side perspective view thereof;
FIG. 3 is a front, right side perspective view thereof;
FIG. 4 is a front elevation view thereof;
FIG. 5 is a right side elevation view thereof;
FIG. 6 is a rear elevation view thereof;
FIG. 7 is a left side elevation view thereof;
FIG. 8 is a top plan view thereof; and,
FIG. 9 is a bottom plan view thereof.
The features shown in broken lines depict environmental subject matter only and form no part of the claimed design.

1 Claim, 9 Drawing Sheets



(56)

References Cited

OTHER PUBLICATIONS

Lexmark CS510 Black Toner Cartridge publicly sold in 2012 (9 photographs attached).

Lexmark C540 Cyan Toner Cartridge publicly sold in 2012 (9 photographs attached).

* cited by examiner

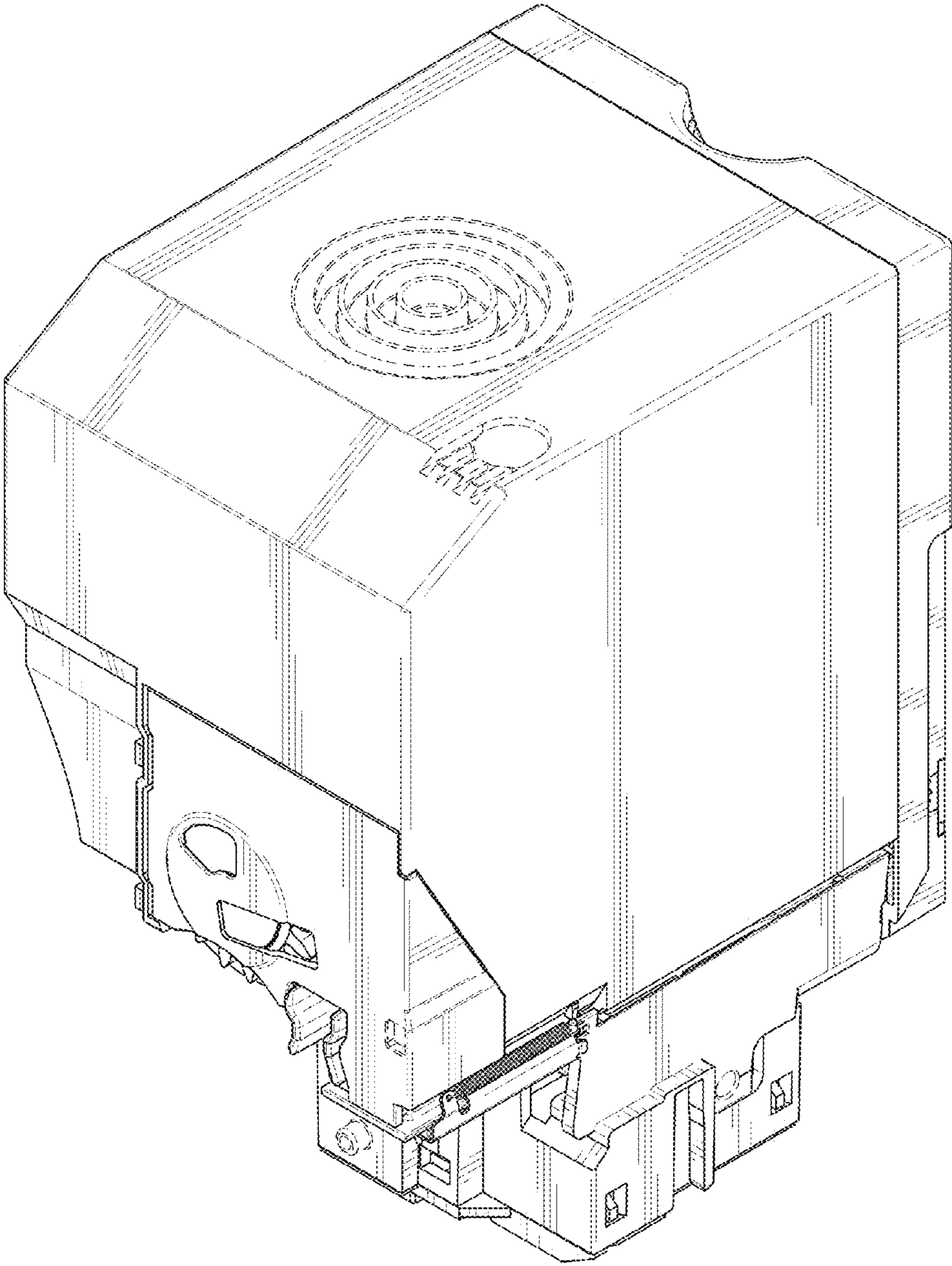


FIG. 1

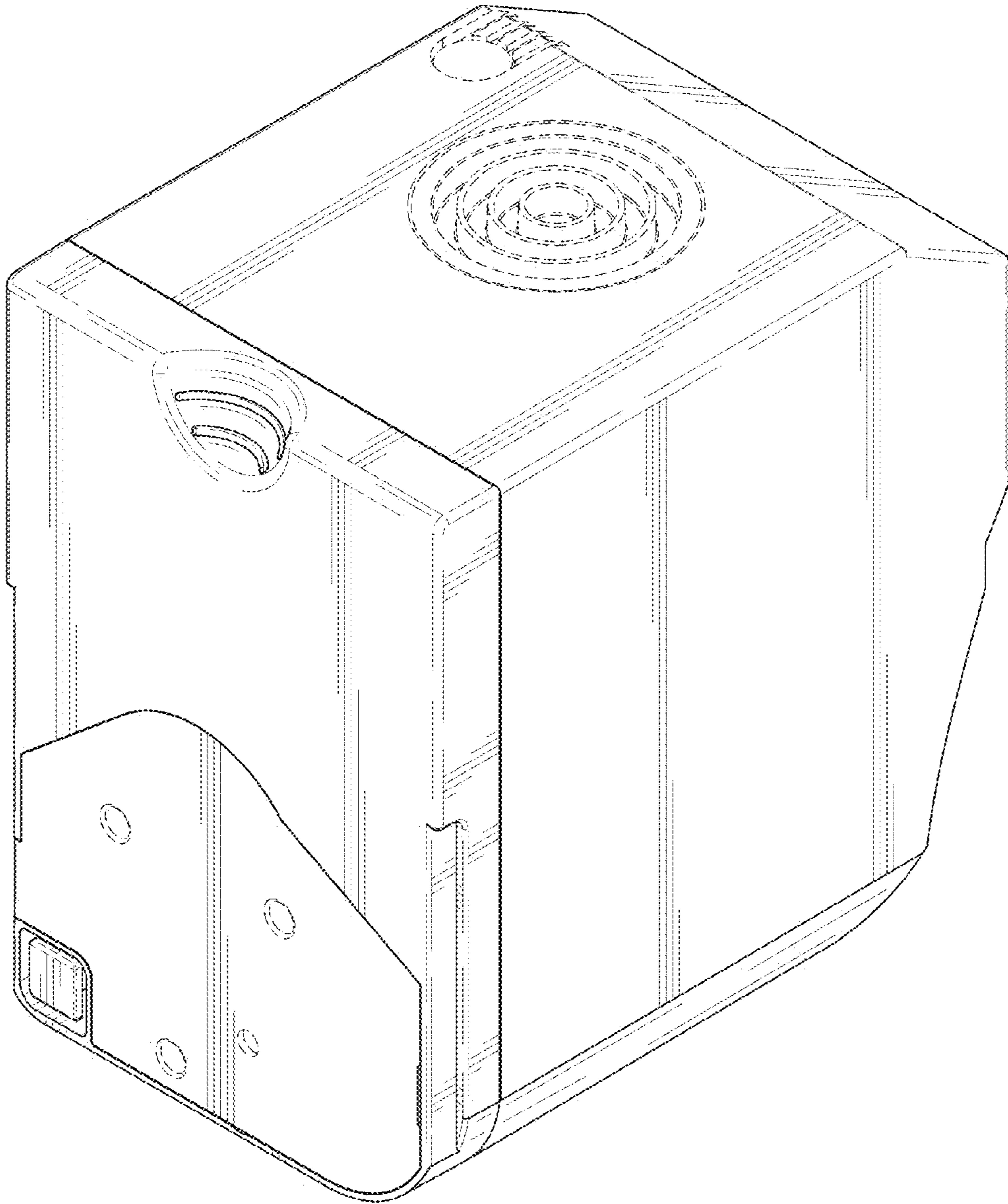


FIG. 2

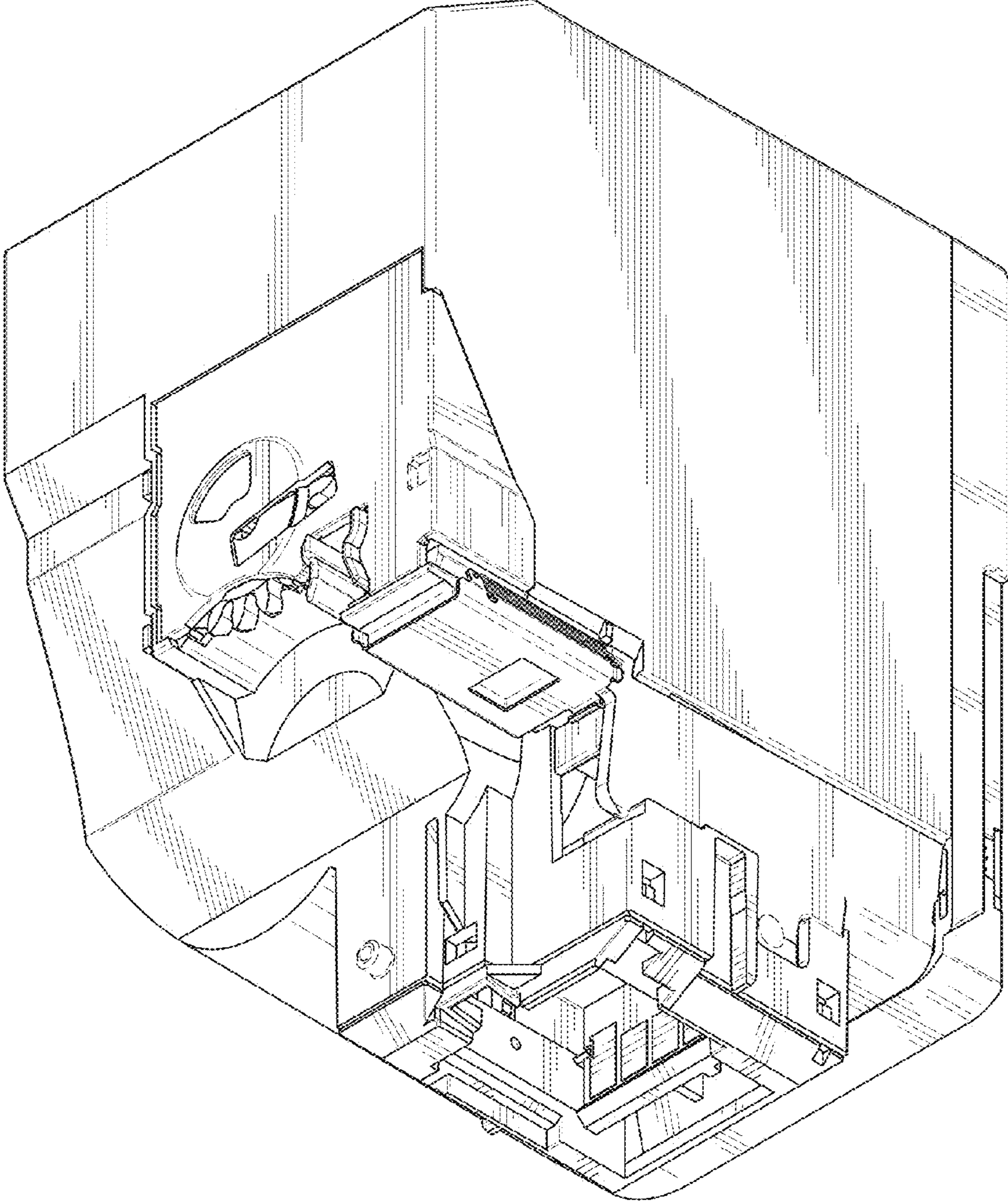


FIG. 3

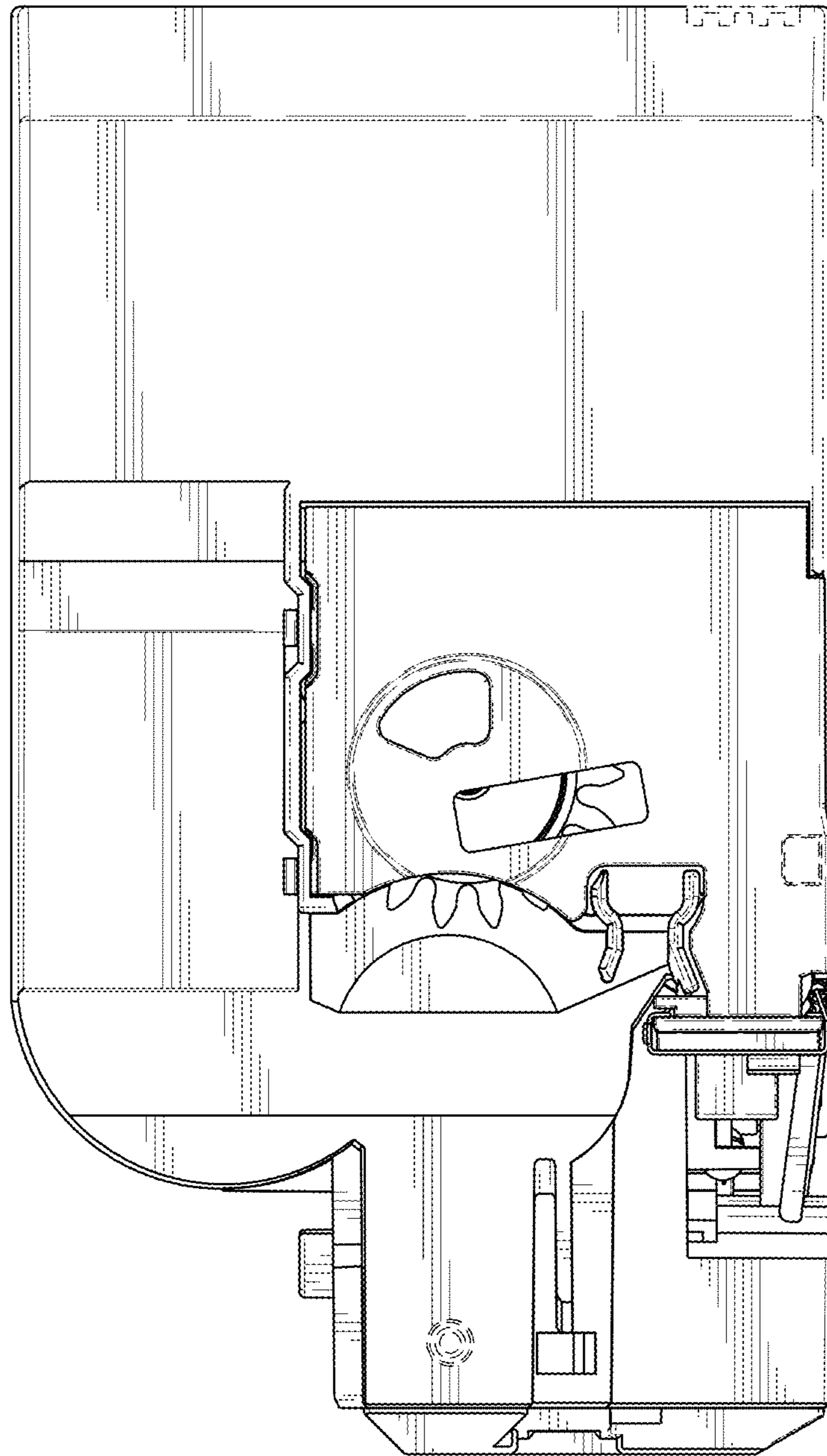


FIG. 4

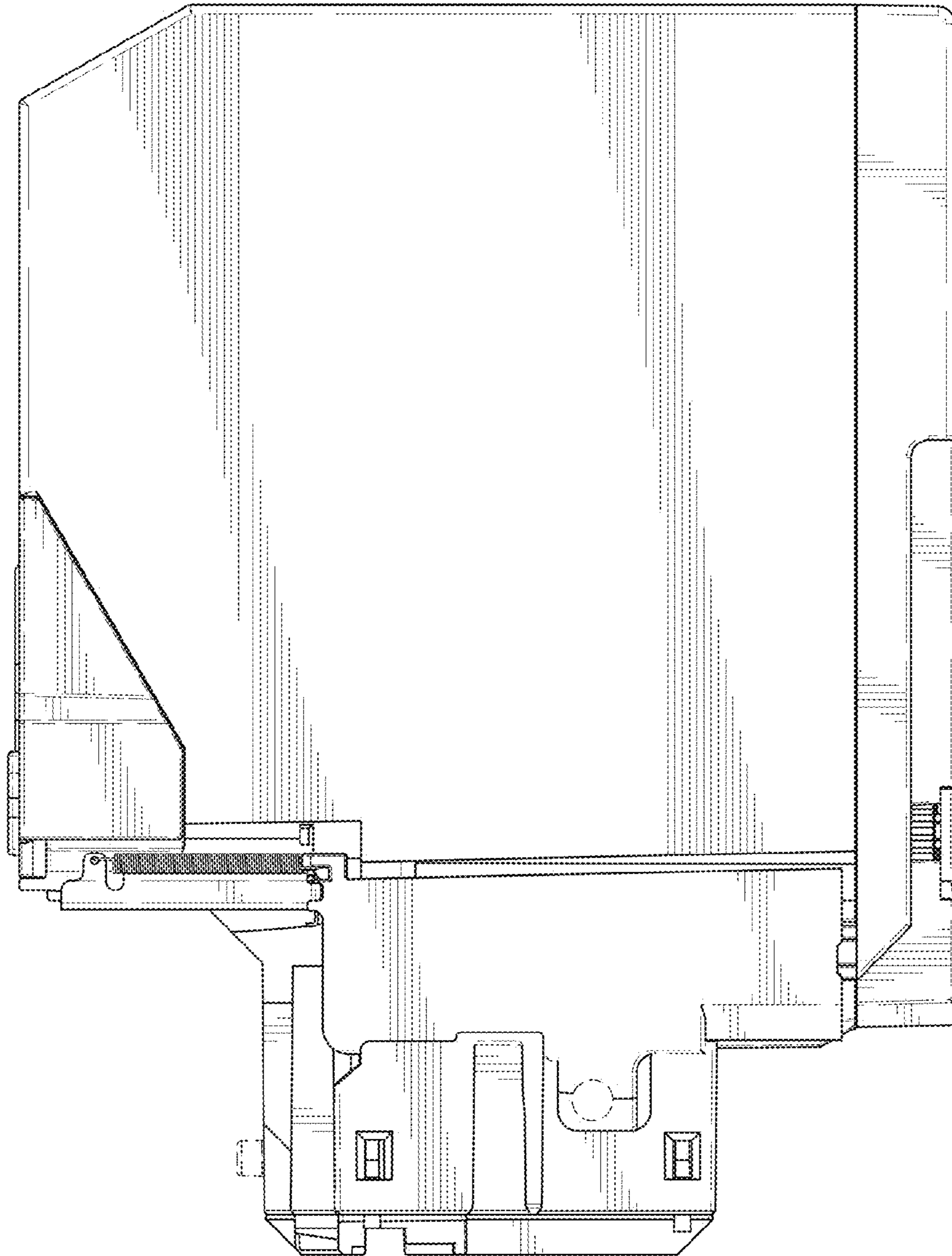


FIG. 5

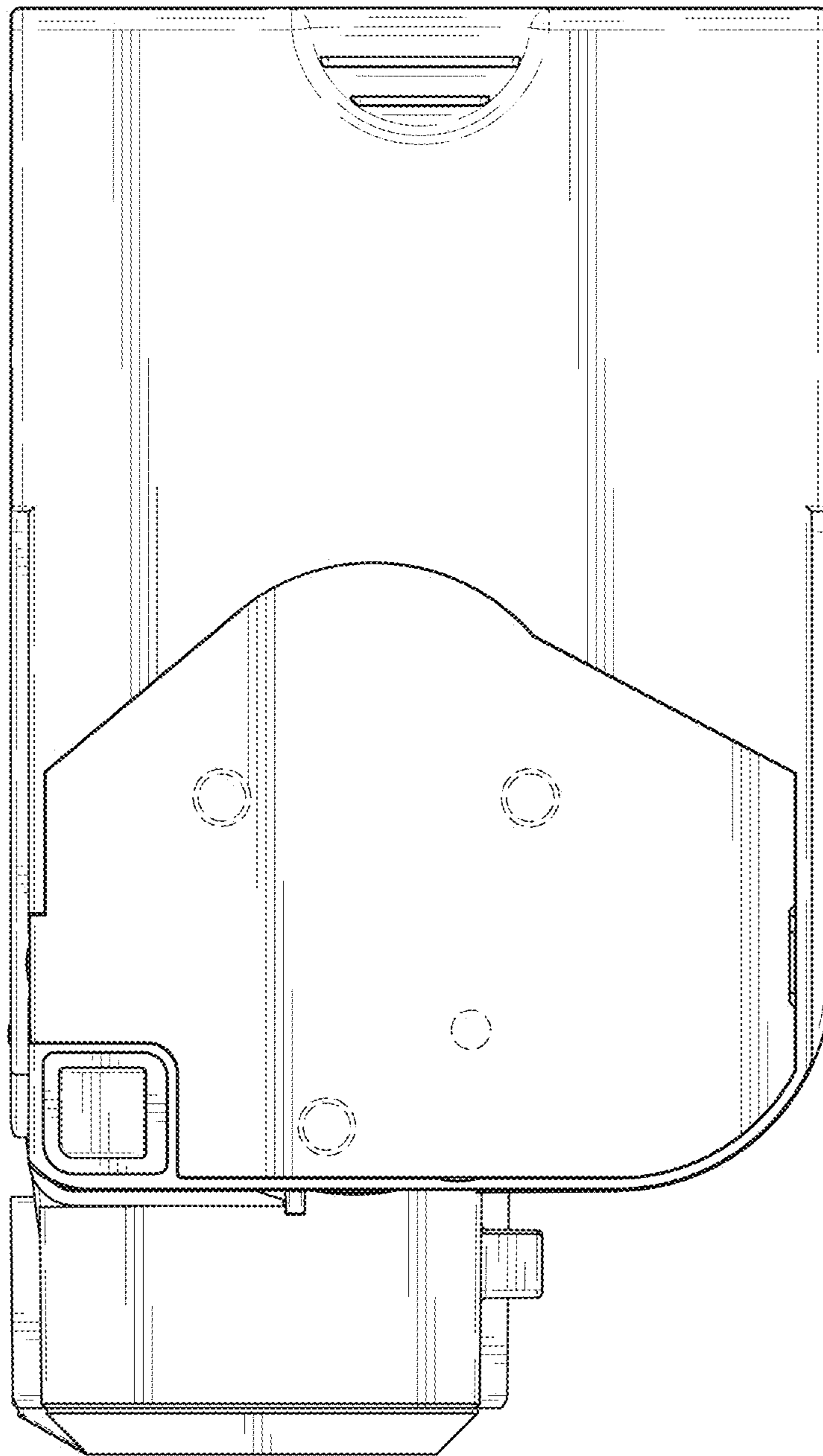


FIG. 6

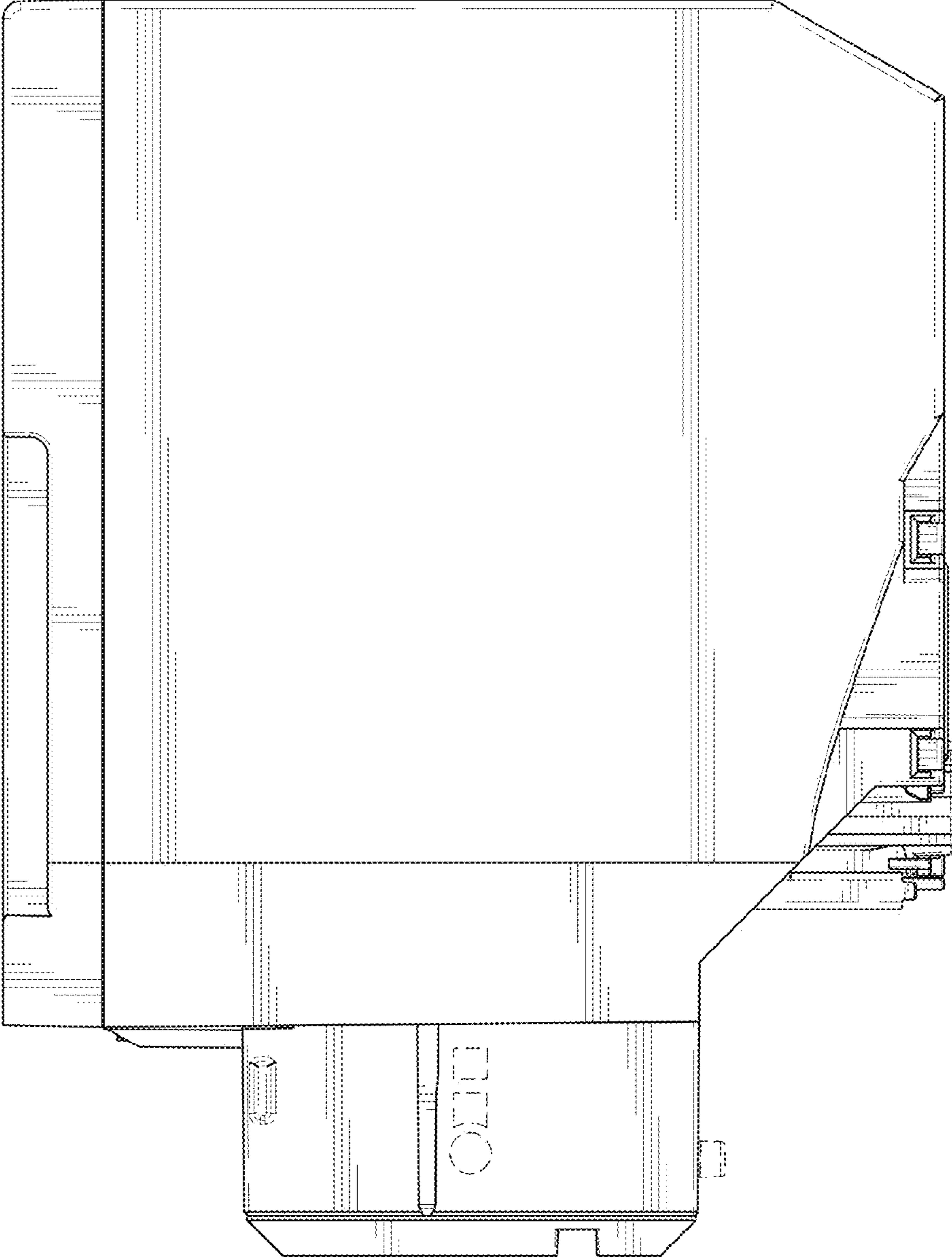


FIG. 7

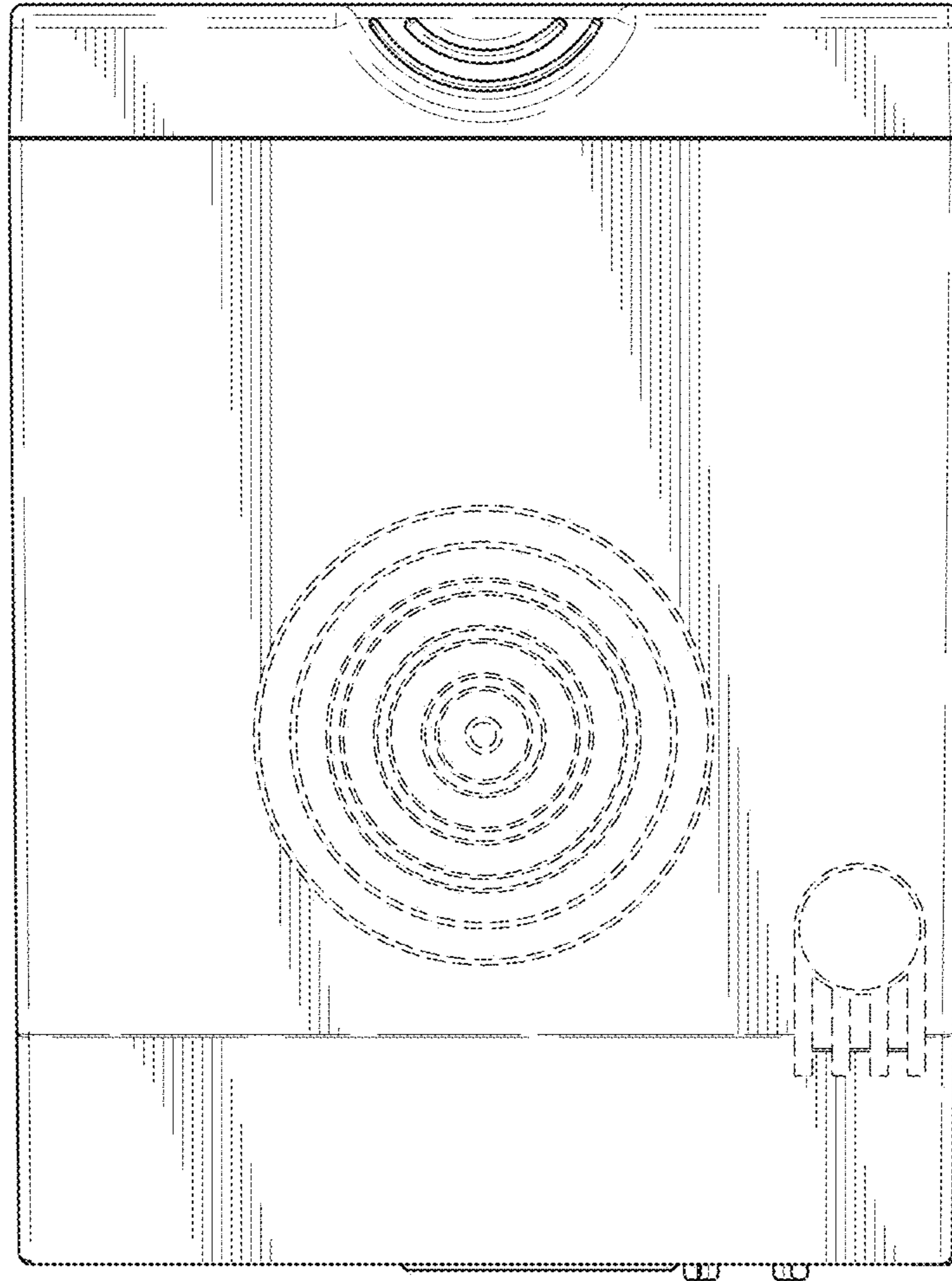


FIG. 8

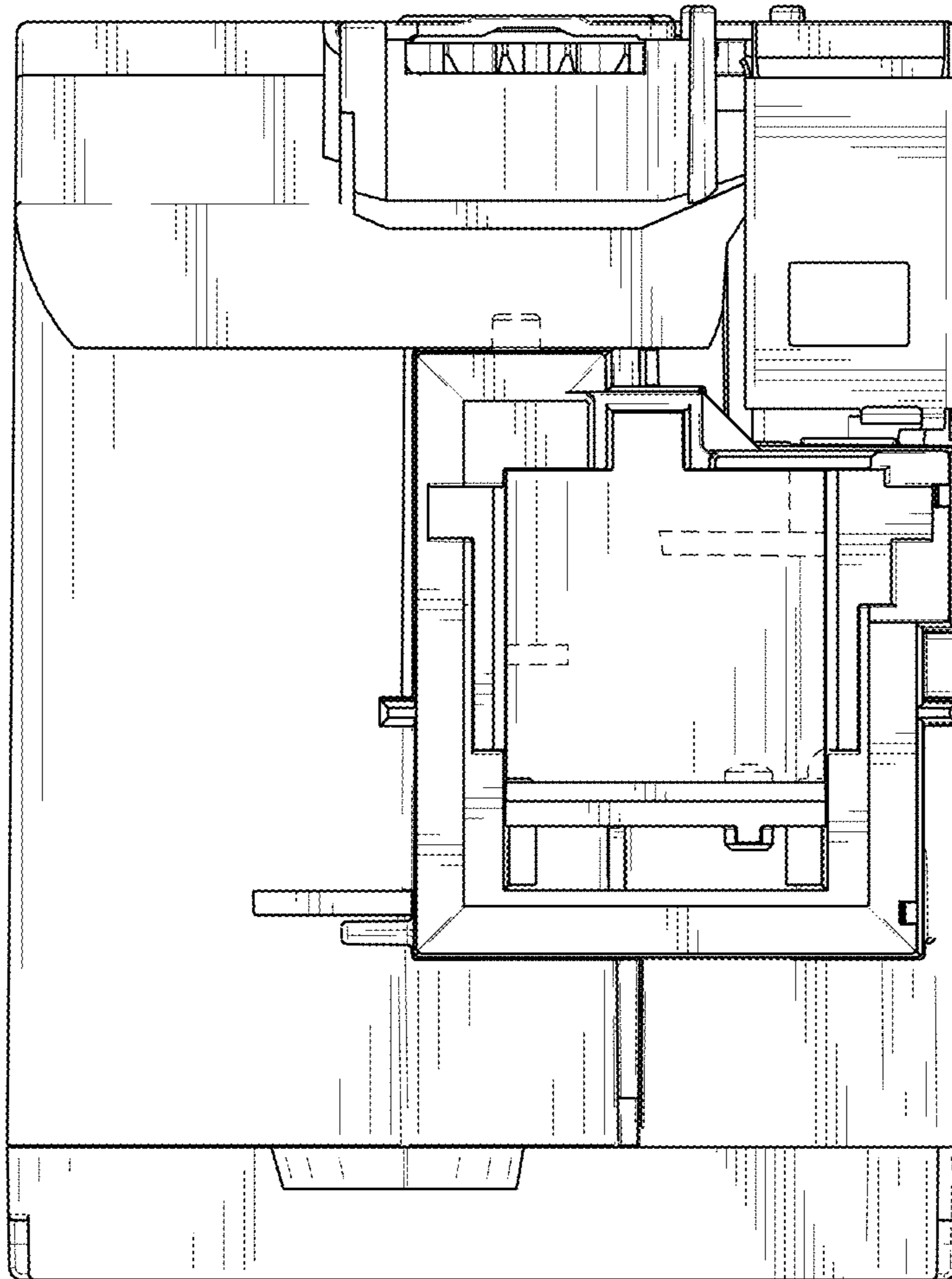


FIG. 9