



US00D759147S

(12) **United States Design Patent**  
**Harrison et al.**

(10) **Patent No.:** **US D759,147 S**  
(45) **Date of Patent:** **\*\* Jun. 14, 2016**

(54) **CAMERA MOUNT**

(71) Applicant: **GoPro, Inc.**, San Mateo, CA (US)

(72) Inventors: **Ryan Harrison**, El Granada, CA (US);  
**Mark Costa**, Menlo Park, CA (US);  
**Emily Clopp**, San Francisco, CA (US)

(73) Assignee: **GoPro, Inc.**, San Mateo, CA (US)

(\*\*) Term: **14 Years**

(21) Appl. No.: **29/524,032**

(22) Filed: **Apr. 15, 2015**

(51) **LOC (10) Cl.** ..... **16-05**

(52) **U.S. Cl.**  
USPC ..... **D16/242**

(58) **Field of Classification Search**  
USPC ..... D16/134, 136, 208, 213–219, 235,  
D16/237–245, 250; D14/203.4, 218, 224,  
D14/250–253, 345, 440, 449; D8/363, 373,  
D8/394  
CPC ..... G03B 17/02–17/04; G03B 17/14;  
G03B 17/56; G03B 17/561–17/568; G03B  
21/20–21/2066; G03B 15/041–15/0436;  
G02B 7/02–7/04; G02B 7/14; H04N  
5/2251–5/2554; F16M 11/02; F16M 11/20;  
F16M 11/40

See application file for complete search history.

(56) **References Cited**

**U.S. PATENT DOCUMENTS**

D209,013	S	*	10/1967	McElroy	.....	D8/383
D366,887	S	*	2/1996	Wood	.....	D16/242
D372,189	S	*	7/1996	Andis	.....	D28/73
D395,996	S	*	7/1998	Fischer	.....	D8/349
D399,230	S	*	10/1998	Tenne	.....	D16/237
5,842,069	A		11/1998	Konno		
5,887,375	A		3/1999	Watson		
6,315,180	B1		11/2001	Watkins		
6,654,235	B2		11/2003	Imsand		

D483,789	S	*	12/2003	Dordick	.....	D16/242
D506,493	S	*	6/2005	Naito	.....	D13/133
D602,974	S	*	10/2009	Zen	.....	D16/242
D631,081	S	*	1/2011	Richter	.....	D16/242
8,014,656	B2		9/2011	Woodman		
D649,576	S	*	11/2011	Jannard	.....	D16/242
8,199,251	B2		6/2012	Woodman		
8,325,270	B2		12/2012	Woodman		

(Continued)

**FOREIGN PATENT DOCUMENTS**

EP 0845399 A2 6/1998

**OTHER PUBLICATIONS**

GoPro, Inc., “Grab Bag of Mounts,” 2014, 2 Pages, [online][Archived on web.archive.org on Mar. 29, 2014][Retrieved on Aug. 31, 2015] Retrieved from the internet <URL:https://web.archive.org/web/20140329112413/http://gopro.com/camera-mounts/grab-bag-of-mounts#features>.

(Continued)

*Primary Examiner* — Susan Bennett Hattan

*Assistant Examiner* — Vy Koenig

(74) *Attorney, Agent, or Firm* — Fenwick & West LLP

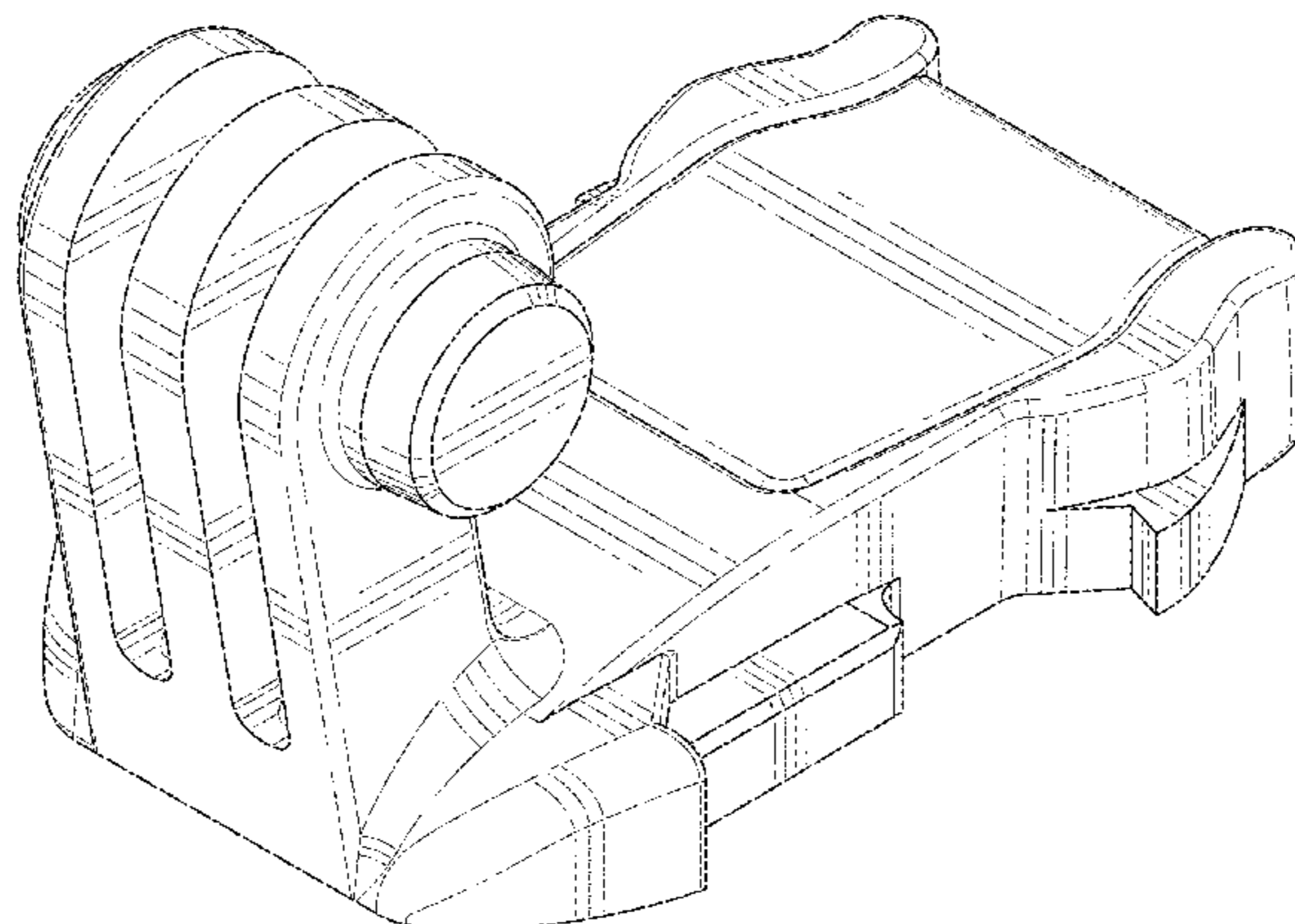
(57) **CLAIM**

The ornamental design for a camera mount, as shown and described.

**DESCRIPTION**

FIG. 1 is a front, top, and right side perspective view of a camera mount;  
FIG. 2 is a rear, bottom, and left side perspective view thereof;  
FIG. 3 is a front elevational view thereof;  
FIG. 4 is a rear elevational view thereof;  
FIG. 5 is a left side elevational view thereof;  
FIG. 6 is a right side elevational view thereof;  
FIG. 7 is a top plan view thereof; and,  
FIG. 8 is a bottom plan view thereof.

**1 Claim, 8 Drawing Sheets**



(56)

**References Cited**

**OTHER PUBLICATIONS**

U.S. PATENT DOCUMENTS

D675,661 S \* 2/2013 Jannard ..... D16/242  
D722,864 S \* 2/2015 Greenthal ..... D8/382  
D722,865 S \* 2/2015 Greenthal ..... D8/382  
9,033,596 B2 5/2015 Samuels  
2014/0027591 A1 1/2014 Fountain

PCT International Search Report for Written Opinion for PCT/  
US2013/062061, Mar. 3, 2014, 15 Pages.

\* cited by examiner

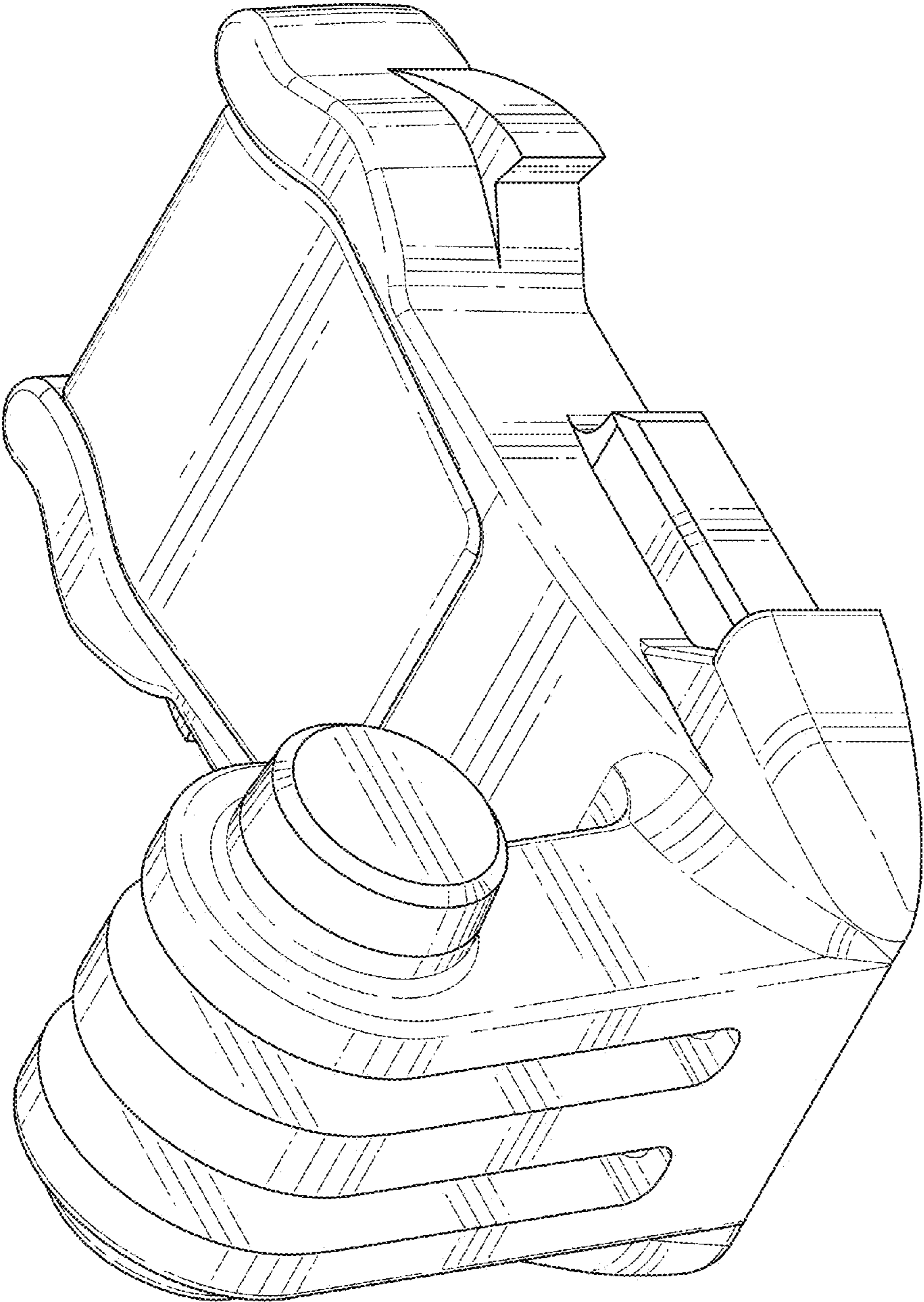


FIG. 1

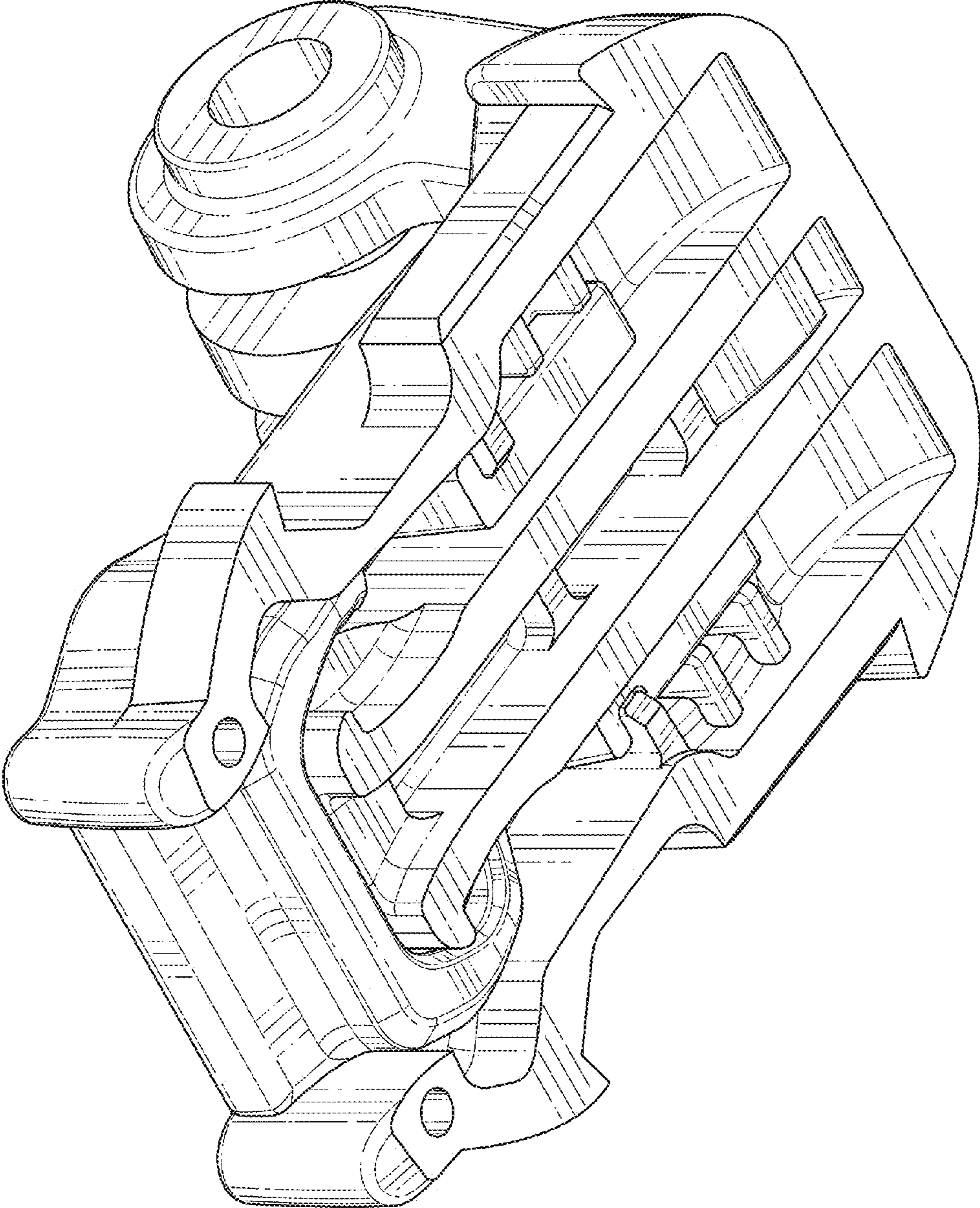


FIG. 2

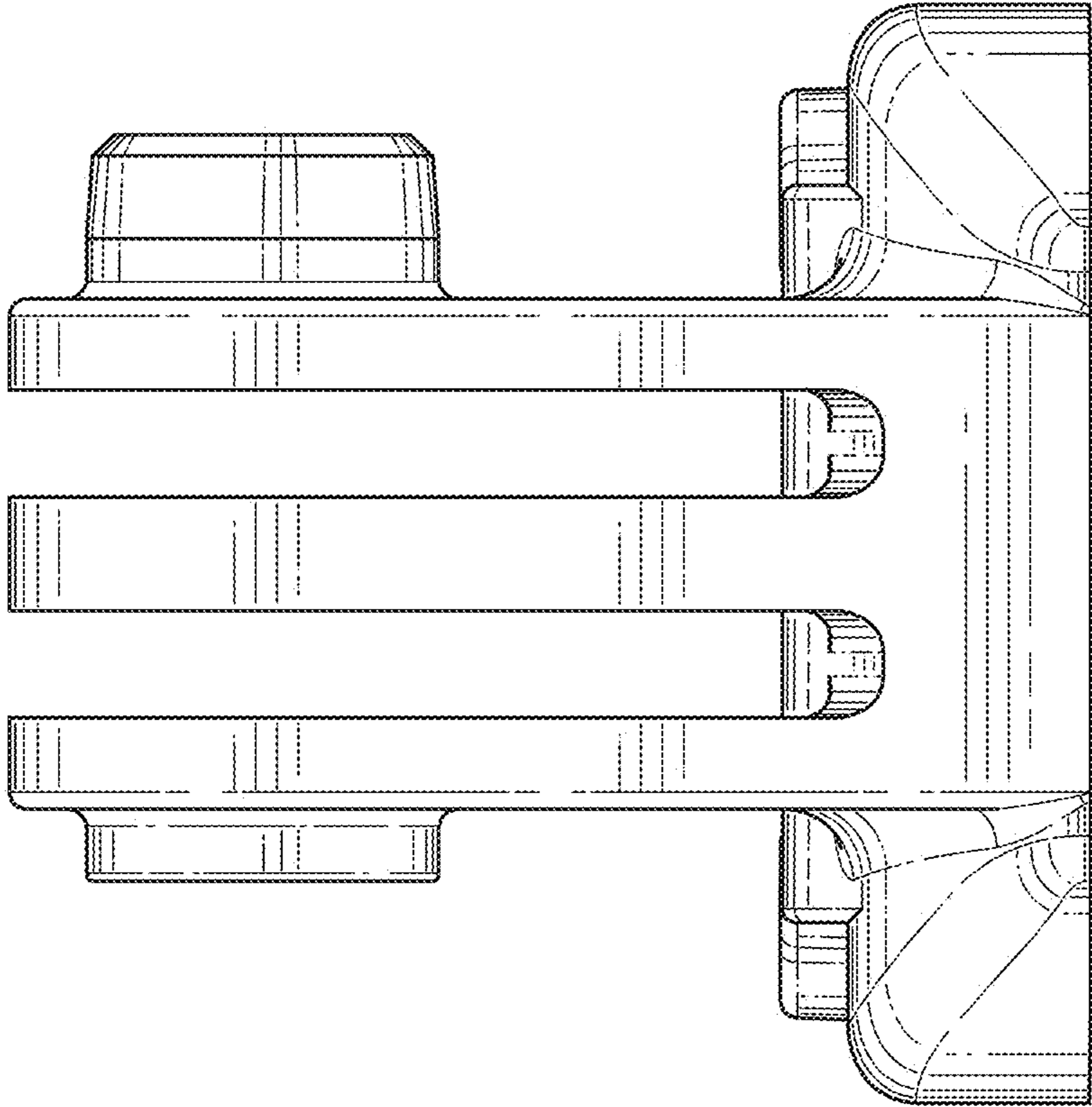


FIG. 3

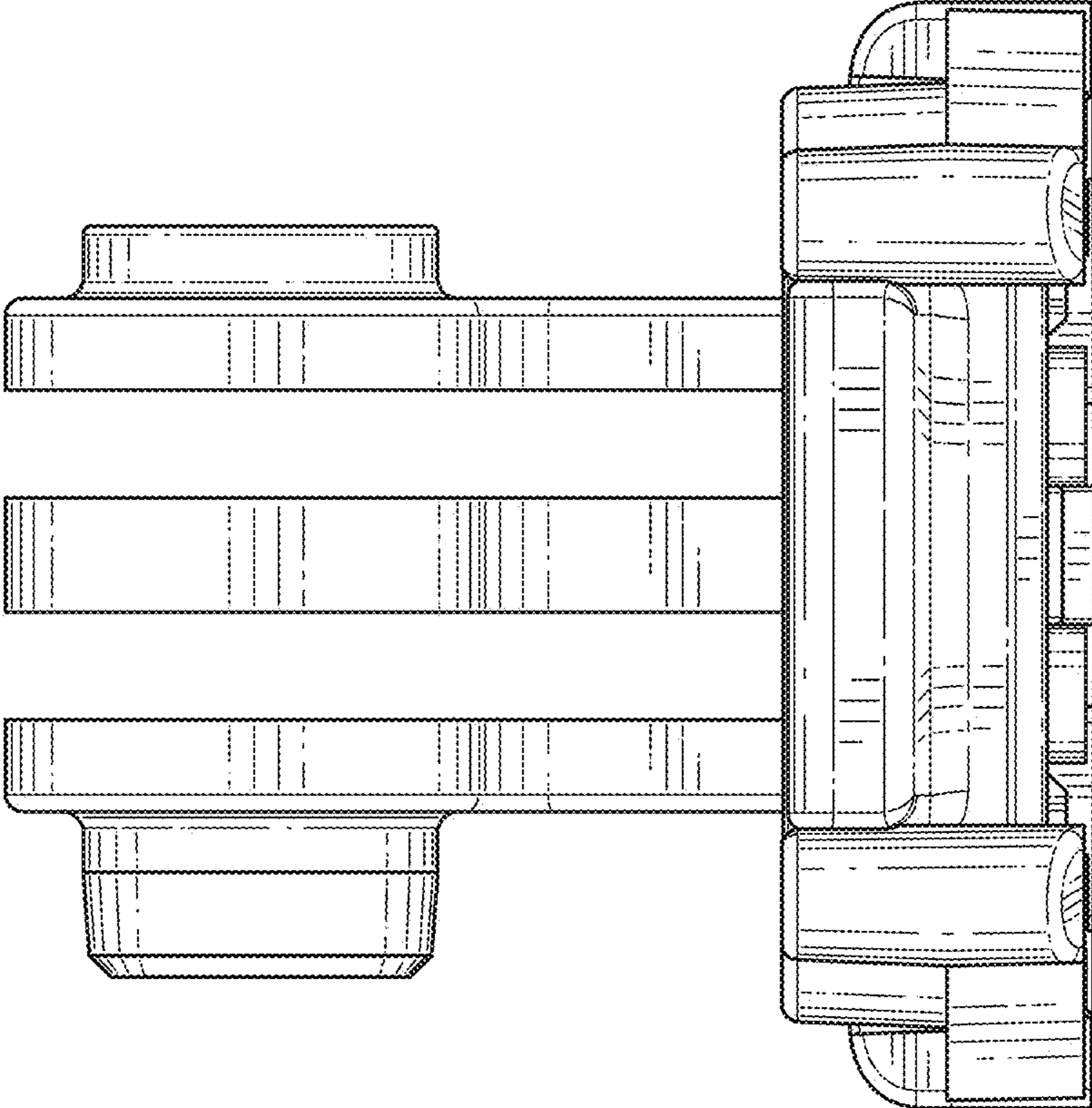


FIG. 4

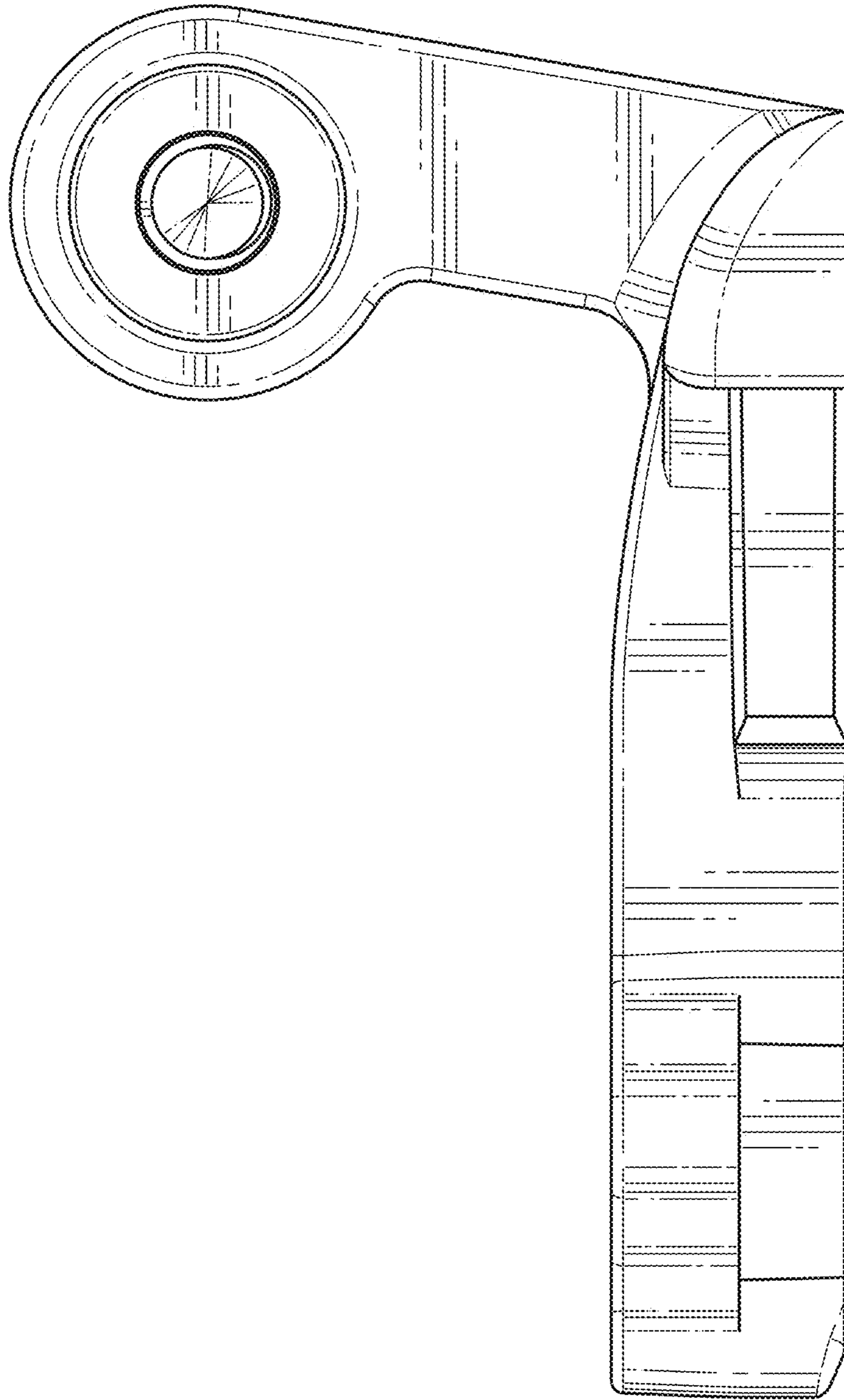


FIG. 5

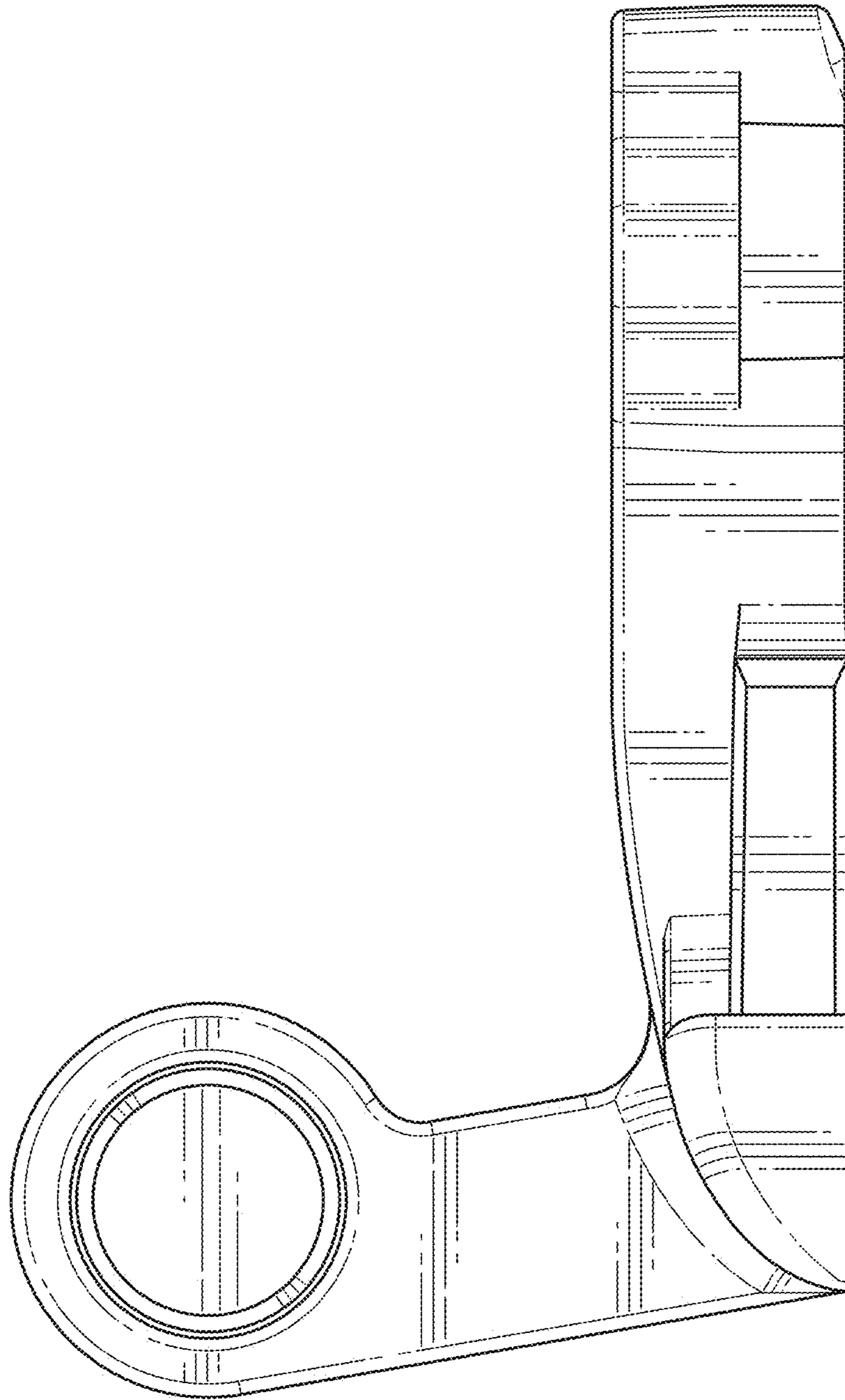


FIG. 6



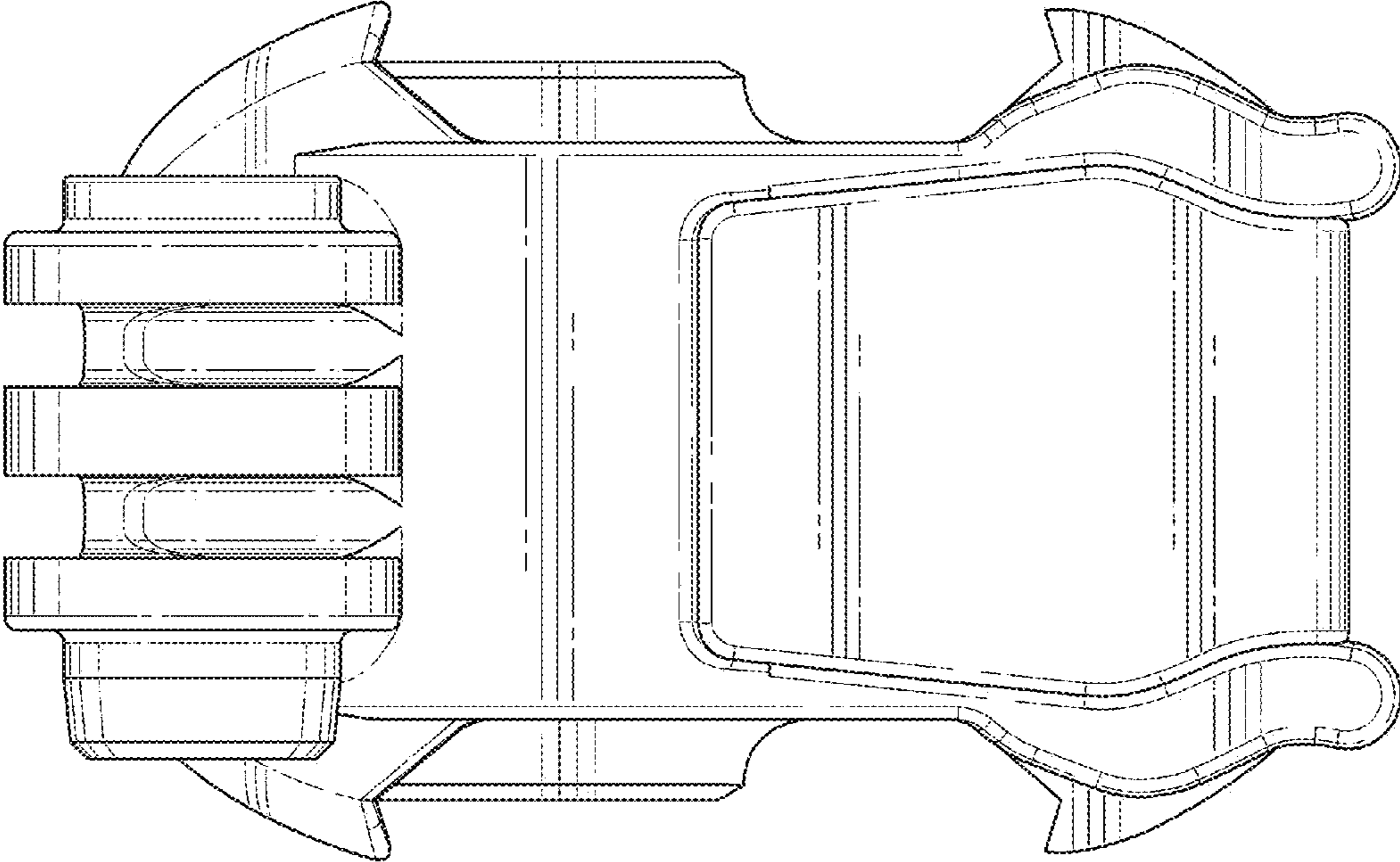


FIG. 7

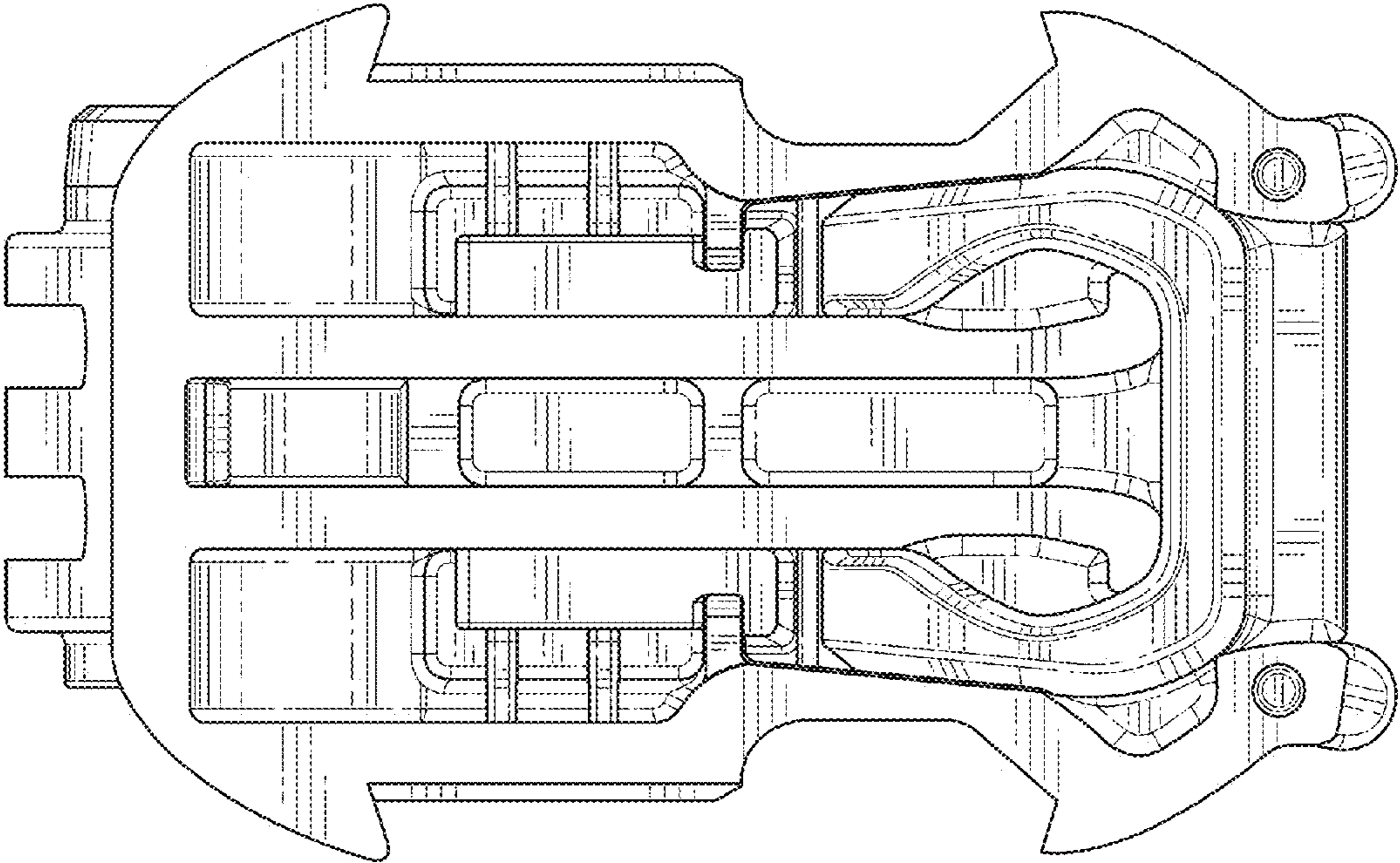


FIG. 8