



US00D759146S

(12) **United States Design Patent**  
**van Hees**

(10) **Patent No.:** **US D759,146 S**  
(45) **Date of Patent:** **\*\* Jun. 14, 2016**

(54) **HANDHELD OPTICAL TRANSMISSION-CONVERSION DEVICE FOR PRODUCING A MAGNIFIED IMAGE**

(71) Applicant: **Optelec Development B.V.**, Barendrecht (NL)

(72) Inventor: **Lukas Wilhelmus van Hees**, Voorburg (NL)

(73) Assignee: **Optelec Development B.V.**, Barendrecht (NL)

(\*\*) Term: **14 Years**

(21) Appl. No.: **29/509,652**

(22) Filed: **Nov. 19, 2014**

(30) **Foreign Application Priority Data**

May 20, 2014 (EM) ..... 002467613-0002

(51) **LOC (10) Cl.** ..... **16-02**

(52) **U.S. Cl.**  
USPC ..... **D16/225; D16/135**

(58) **Field of Classification Search**  
USPC ..... D16/221, 225, 229, 232, 235, 130, D16/134-136; D14/420; 348/222.1, 63, 348/333.01, 333.11-333.12  
CPC .. G02B 25/002; G02B 25/007; G02B 25/005; G02B 25/02; G02B 27/026; H04N 1/0044; H04N 1/00562; H04N 1/00129; H04N 5/23293; H04N 5/2252; H04N 5/23296  
See application file for complete search history.

(56) **References Cited**

**U.S. PATENT DOCUMENTS**

D298,634 S \* 11/1988 Yuen ..... D16/135  
D324,060 S \* 2/1992 Huang ..... D16/135  
6,341,718 B1 1/2002 Schilthuizen et al.  
6,956,616 B2 \* 10/2005 Jung ..... G02B 25/02 348/63  
D624,107 S \* 9/2010 Goldenberg ..... D16/135  
D635,119 S 3/2011 van Hees

D663,339 S \* 7/2012 Farenski ..... D16/135  
8,264,598 B2 \* 9/2012 Rodriguez ..... H04N 1/00129 348/373  
8,610,965 B2 12/2013 van Schaik  
D703,718 S \* 4/2014 Hsu ..... D16/135

(Continued)

*Primary Examiner* — Wan Laymon

(74) *Attorney, Agent, or Firm* — Leydig, Voit & Mayer, Ltd.

(57) **CLAIM**

I claim the ornamental design for a handheld optical transmission-conversion device for producing a magnified image, as shown and described.

**DESCRIPTION**

FIG. 1 is a perspective view of a handheld optical transmission-conversion device for producing a magnified image according to the present invention, illustrating a handle in an extended position, the handle movable over a range of travel between the extended position and a stowed position.

FIG. 2 is a right side elevational view of the handheld optical transmission-conversion device for producing a magnified image of FIG. 1, illustrating the movable handle in the stowed position shown at an enlarged scale.

FIG. 3 is a left side elevational view of the handheld optical transmission-conversion device for producing a magnified image of FIG. 1, illustrating the movable handle in the stowed position shown at an enlarged scale.

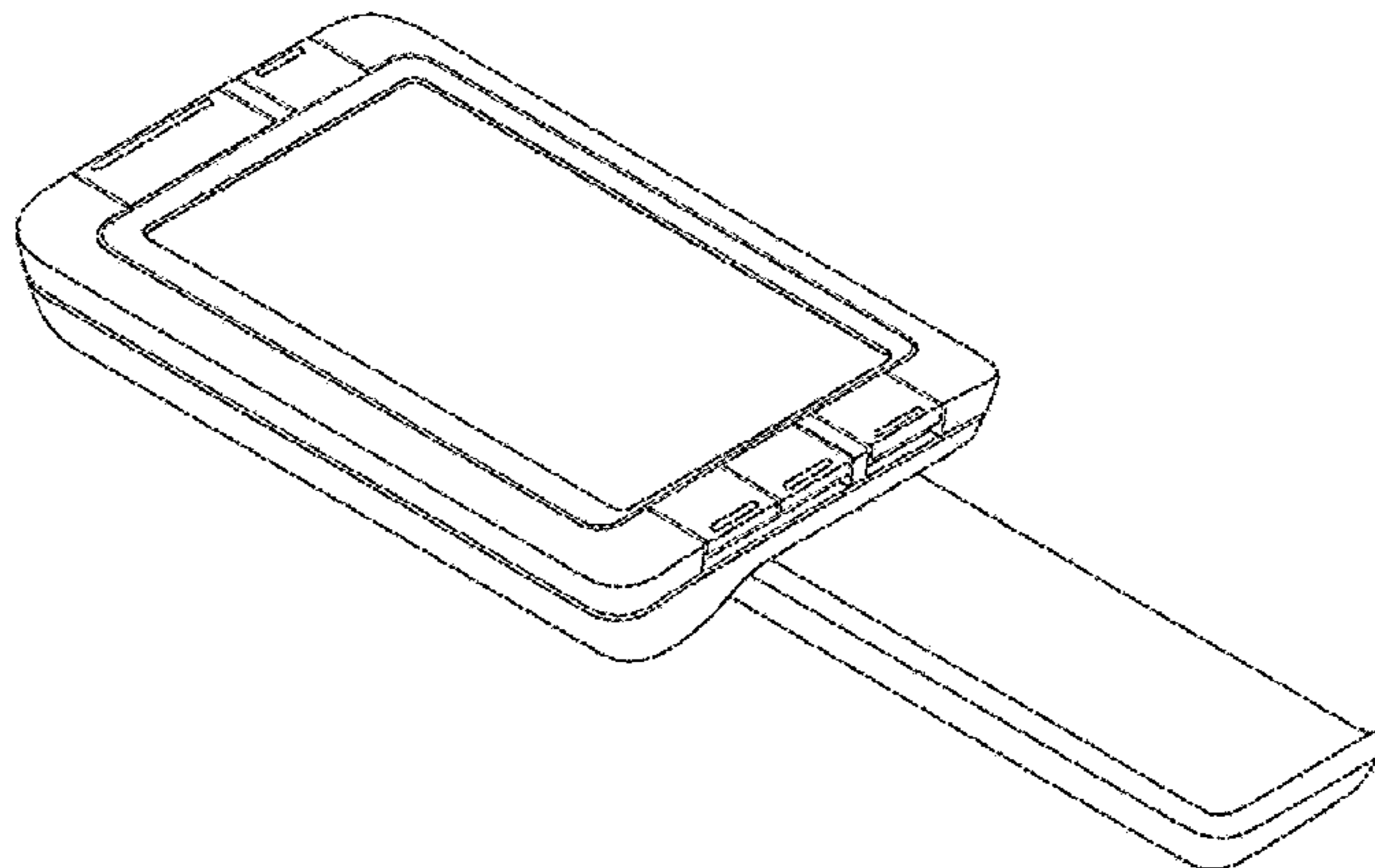
FIG. 4 is a front elevational view of the handheld optical transmission-conversion device for producing a magnified image of FIG. 1, illustrating the movable handle in the stowed position shown at an enlarged scale.

FIG. 5 is a top plan view of the handheld optical transmission-conversion device for producing a magnified image of FIG. 1, illustrating the movable handle in the stowed position shown at an enlarged scale; and,

FIG. 6 is a bottom plan view of the handheld optical transmission-conversion device for producing a magnified image of FIG. 1, illustrating the movable handle in the extended position.

Features illustrated in broken lines in the Figures depict environmental structure only and form no part of the claimed design.

**1 Claim, 6 Drawing Sheets**



(56)

**References Cited**

U.S. PATENT DOCUMENTS

D709,937 S *	7/2014	Goldenberg .....	D16/135	2009/0011391 A1	1/2009	van Hees et al.
D716,815 S	11/2014	van Hees		2009/0296162 A1	12/2009	van Schaik
2003/0063214 A1	4/2003	van Hees		2011/0057921 A1	3/2011	van Hees
				2014/0118799 A1	5/2014	van der Snoek
				2014/0225997 A1	8/2014	Auger

\* cited by examiner

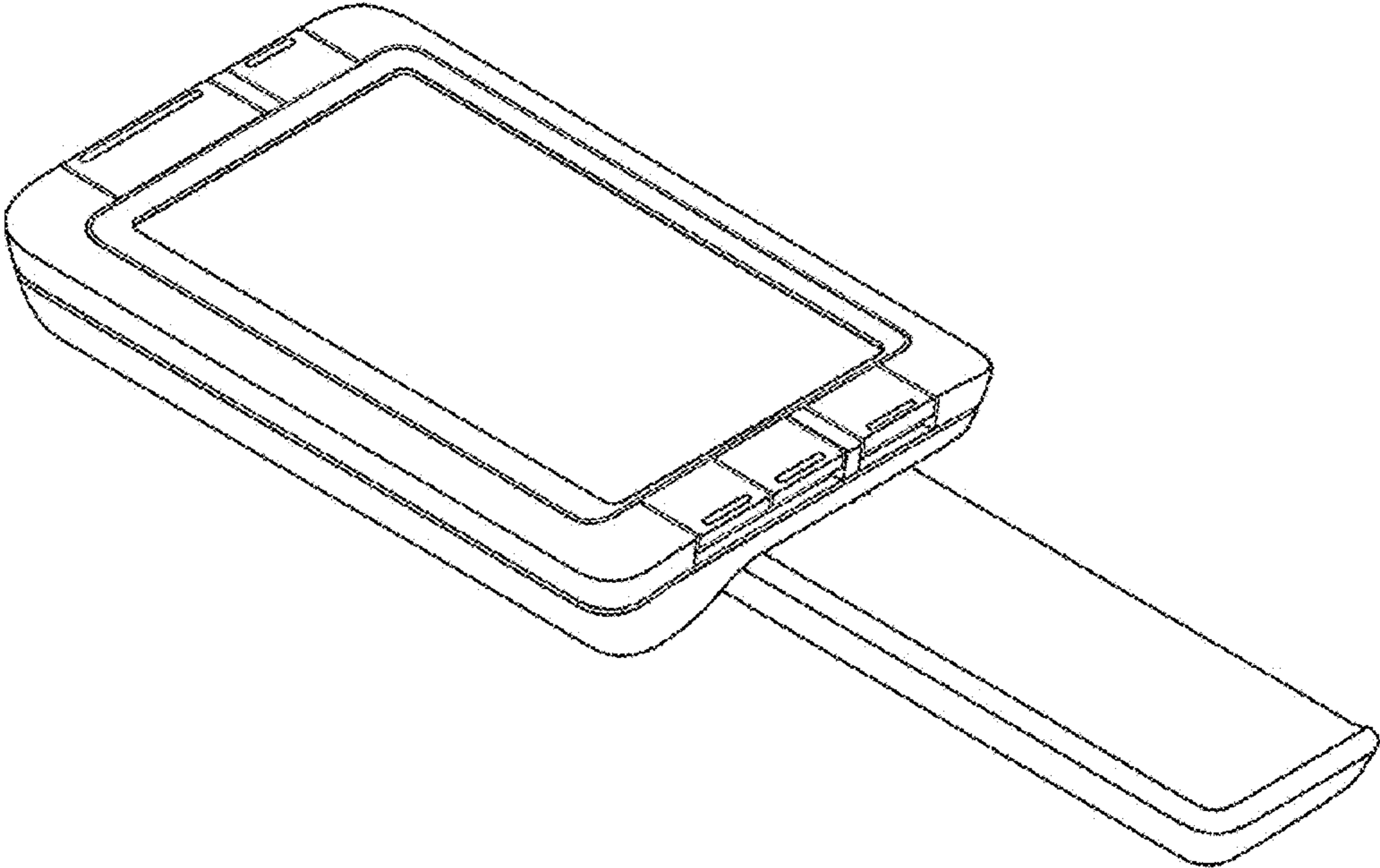


FIG. 1

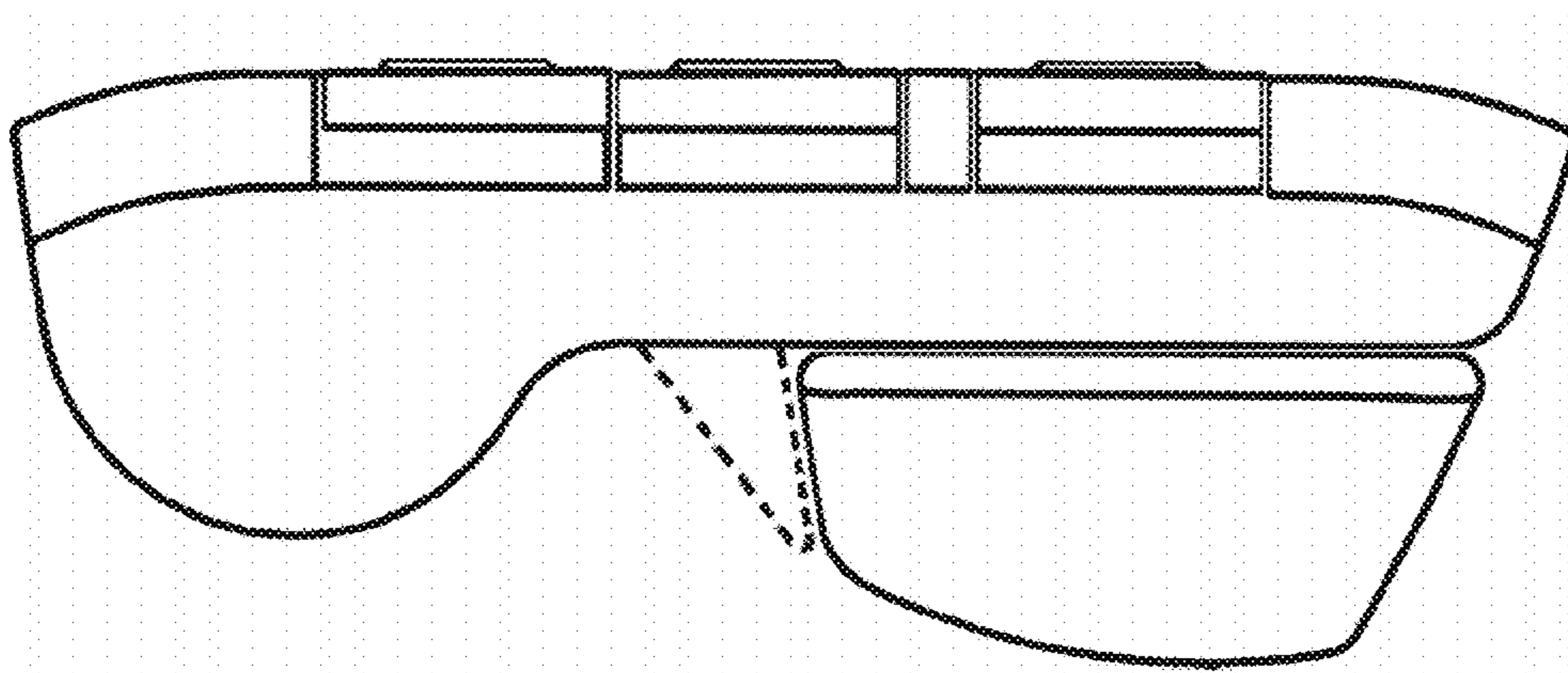


FIG. 2

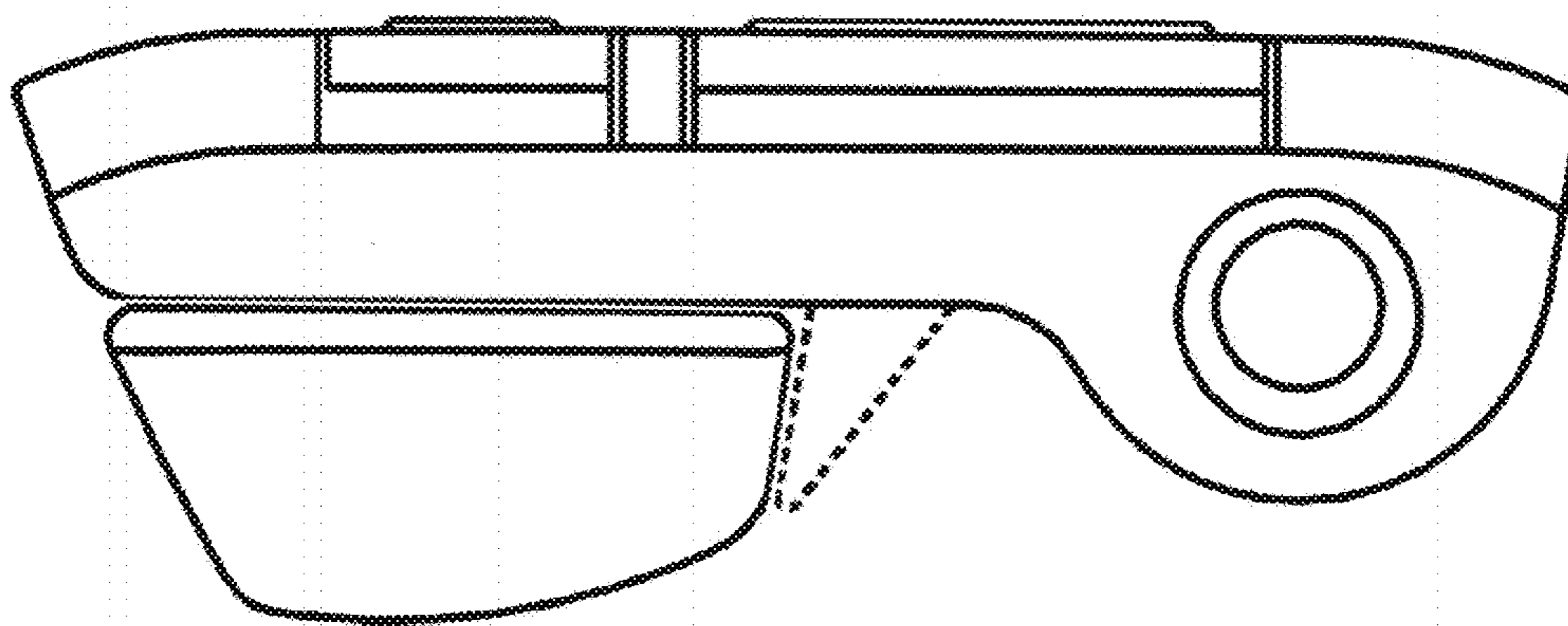


FIG. 3

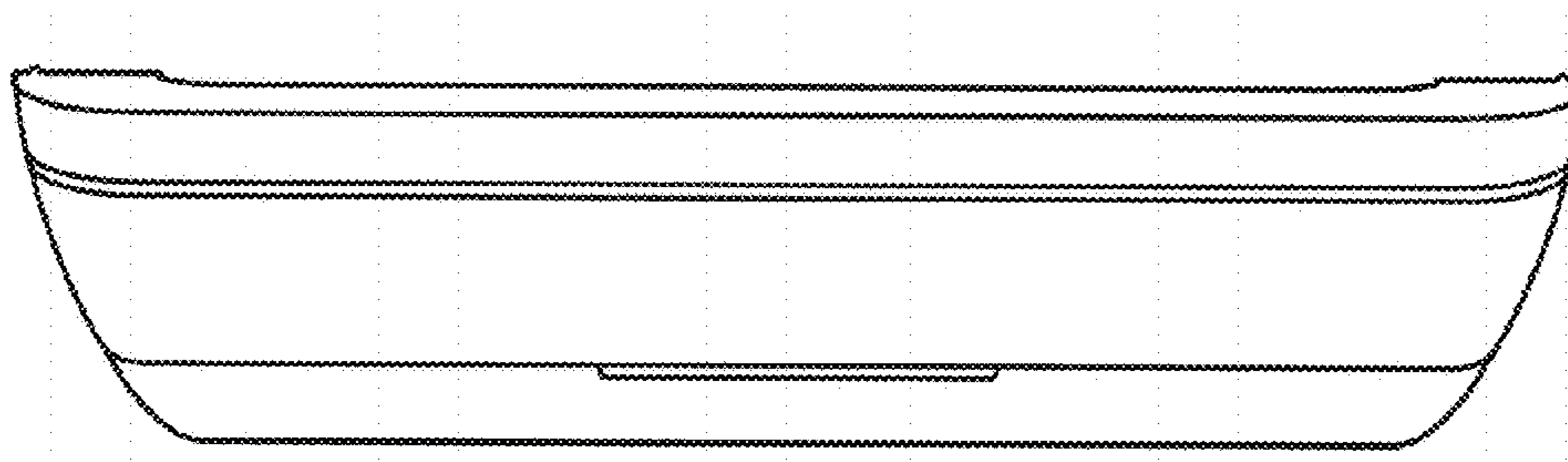


FIG. 4



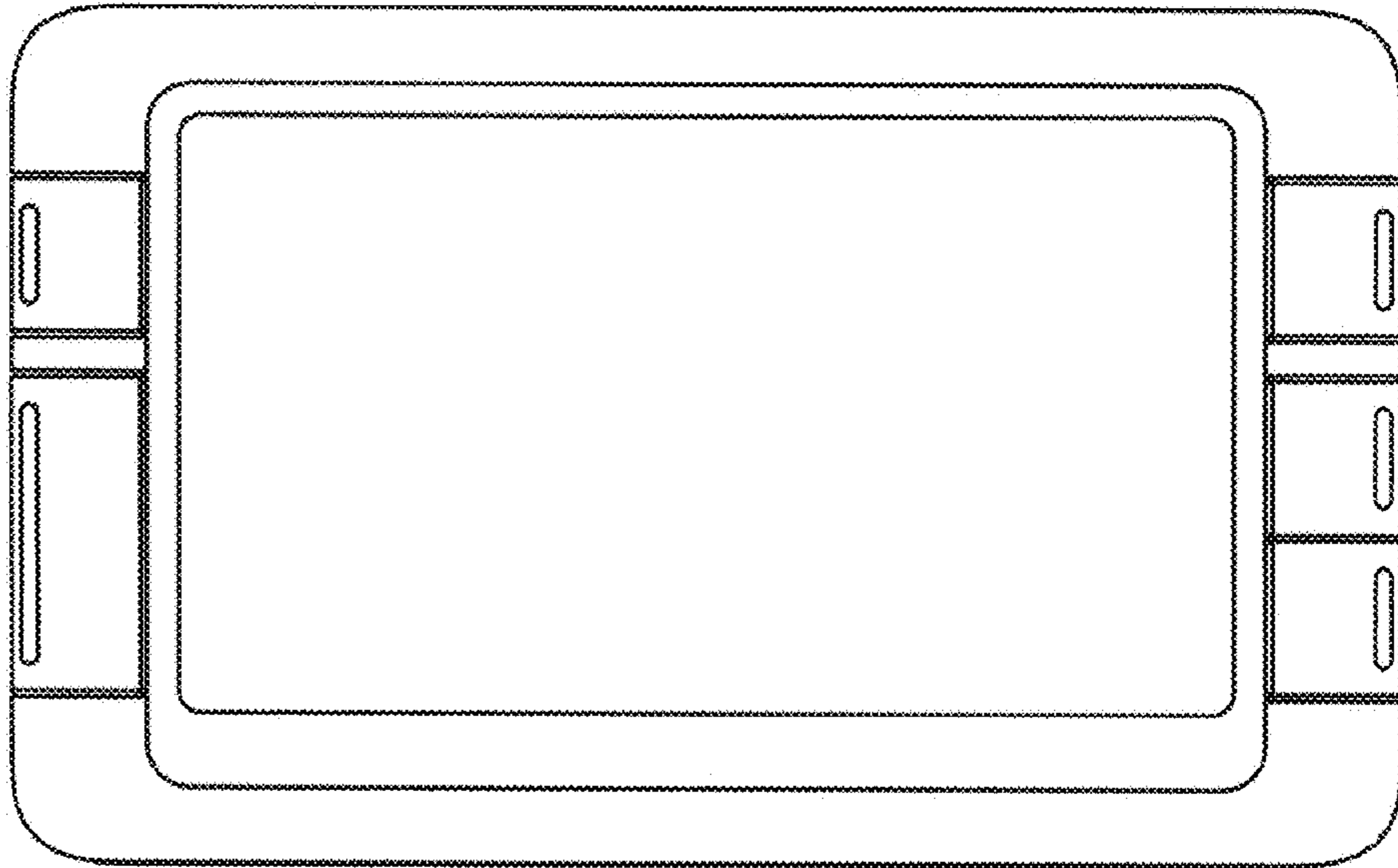


FIG. 5

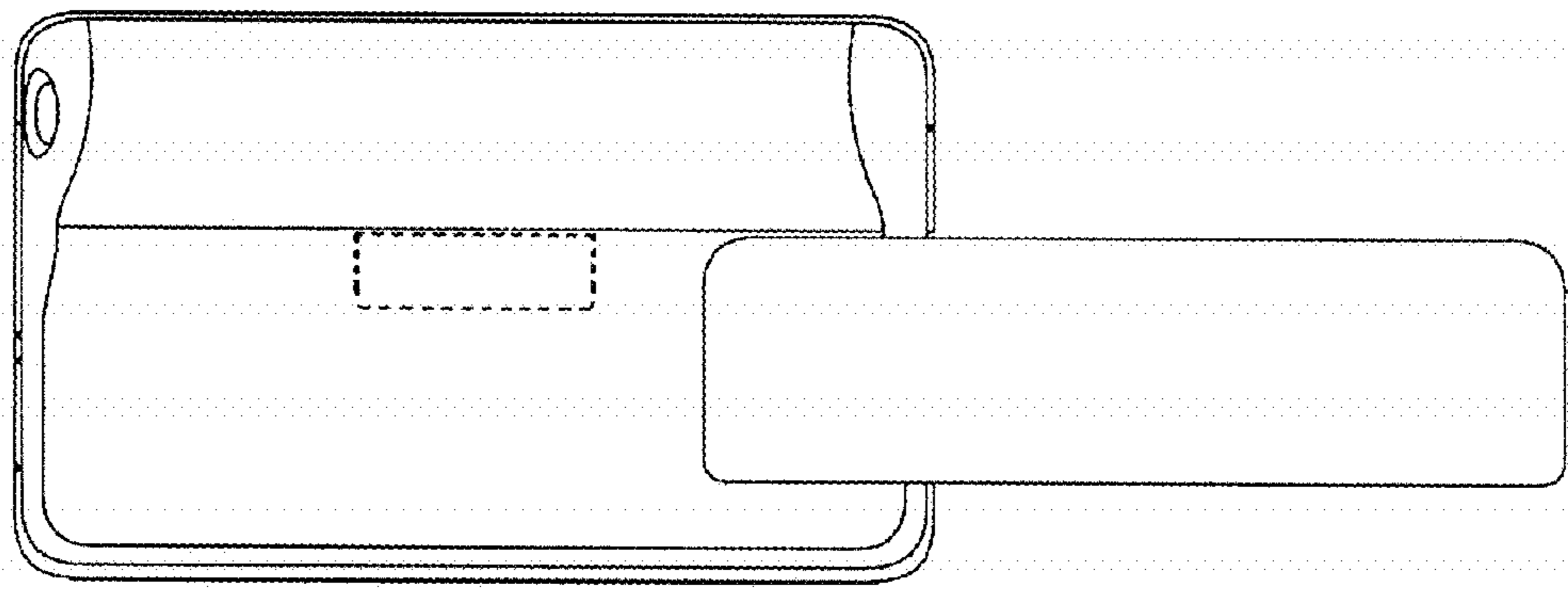


FIG. 6