



US00D759145S

(12) **United States Design Patent**
Lee et al.

(10) **Patent No.:** **US D759,145 S**
(45) **Date of Patent:** **** Jun. 14, 2016**

(54) **CAMERA**

(71) Applicant: **GoPro, Inc.**, San Mateo, CA (US)
(72) Inventors: **Seungheon Lee**, Cupertino, CA (US);
Richard Gioscia, Santa Clara, CA (US);
Joshua P. Davies, Fremont, CA (US);
Evan L. Coons, San Mateo, CA (US)

(73) Assignee: **GoPro, Inc.**, San Mateo, CA (US)

(**) Term: **15 Years**

(21) Appl. No.: **29/541,948**

(22) Filed: **Oct. 9, 2015**

Related U.S. Application Data

(63) Continuation of application No. 29/500,164, filed on Aug. 21, 2014, now Pat. No. Des. 745,589.

(51) **LOC (10) Cl.** **16-05**

(52) **U.S. Cl.**
USPC **D16/219**

(58) **Field of Classification Search**
USPC D9/414, 418, 427, 430, 432; D6/517, D6/524, 527, 528, 531, 535, 559; D14/172, 194, 204, 221; D16/200, D16/202-206, 208, 218, 219; 348/148, 348/372-376; 396/529, 535, 539-541
CPC G03B 15/03; G03B 17/02; G03B 17/04; G03B 17/56; G03B 19/04; H04N 5/2251; H04N 5/2252; H04N 5/2253; H04N 5/2254; H04N 2101/00

See application file for complete search history.

(56) **References Cited**

U.S. PATENT DOCUMENTS

D118,296 S	12/1939	Tuomey	
4,646,141 A	2/1987	Timmermans et al.	
5,808,663 A	9/1998	Okaya	
D441,386 S	5/2001	Yamazaki	
D442,982 S *	5/2001	Adachi	D16/203
D504,904 S	5/2005	Nagai et al.	
D515,121 S	2/2006	Bleau et al.	
D544,463 S *	6/2007	Harris	D14/168
D576,486 S *	9/2008	Koza	D9/432
D616,480 S	5/2010	Ookawa et al.	
D647,935 S *	11/2011	Raken	D16/202
8,467,675 B2	6/2013	Chen et al.	
D690,280 S *	9/2013	Schul	D14/168
D713,868 S	9/2014	Yang et al.	
D727,387 S	4/2015	Hasegawa et al.	
D727,991 S *	4/2015	Hasegawa	D16/203
D729,761 S *	5/2015	Hu	D14/194
D730,423 S	5/2015	Vandenbussche	
2011/0216195 A1 *	9/2011	Tanaka	H04N 5/2253 348/148
2013/0321696 A1 *	12/2013	Bae	H04N 5/2252 348/372

* cited by examiner

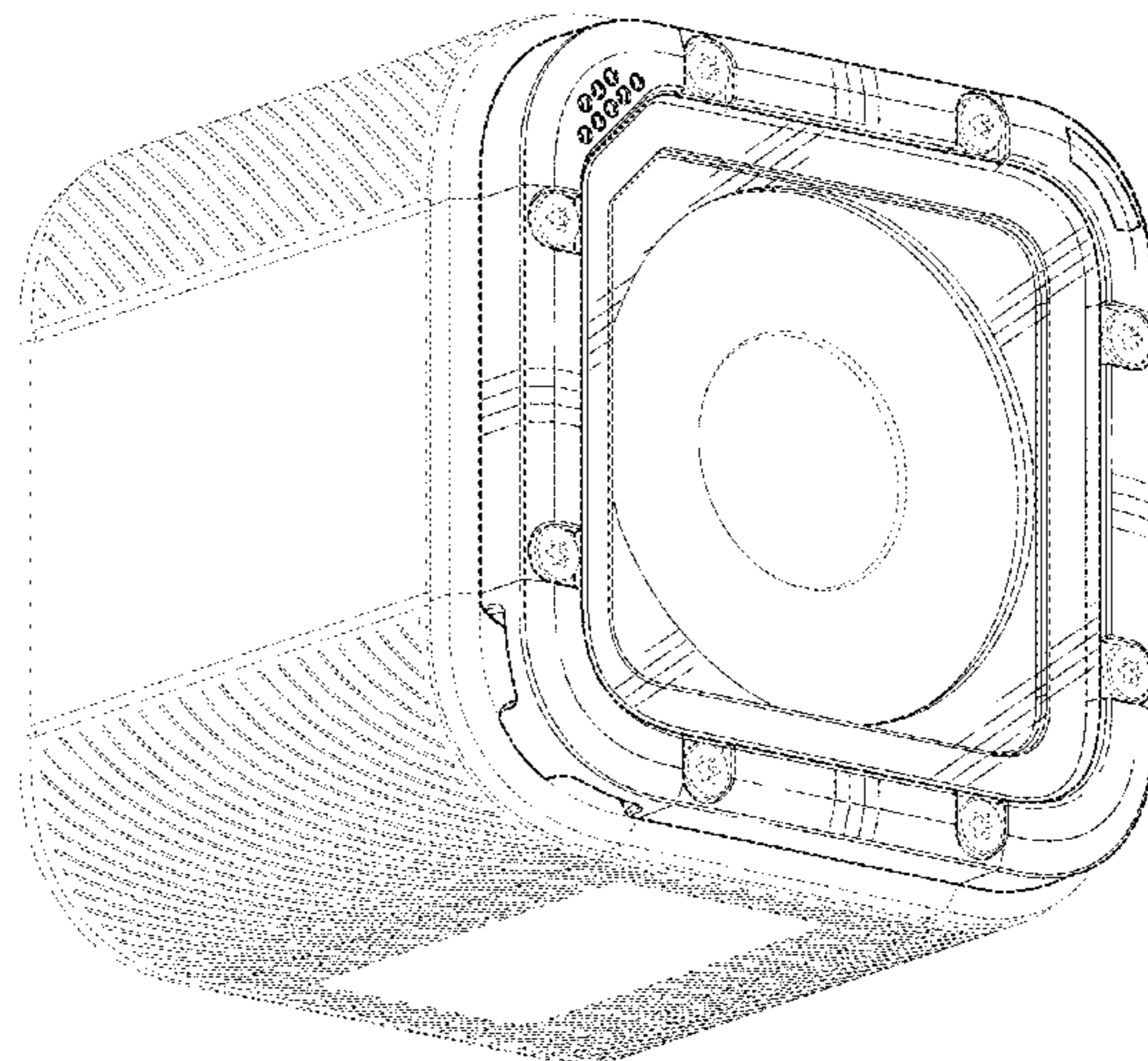
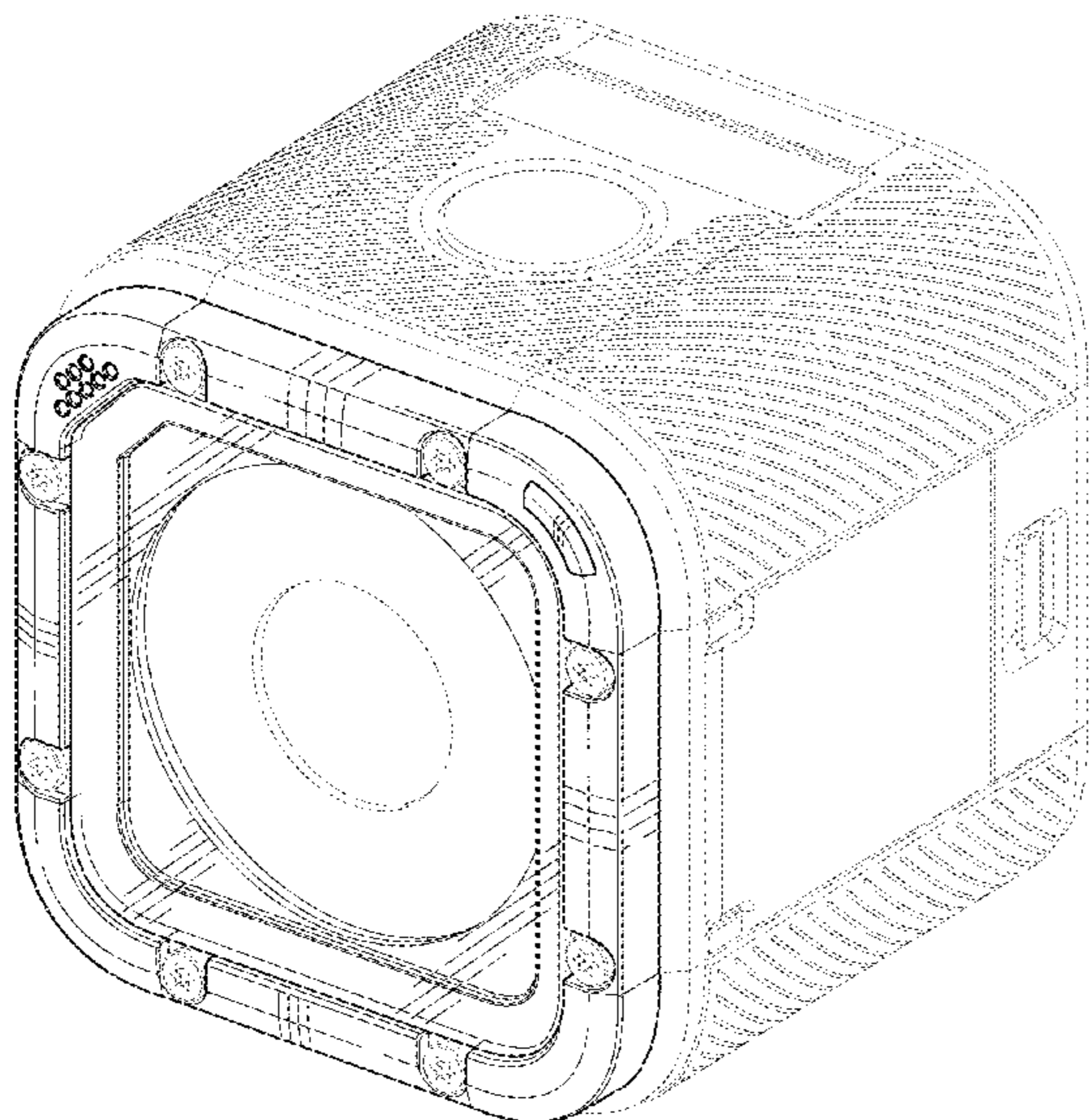
Primary Examiner — Susan E Krakower
Assistant Examiner — Ramzi Almatrahi
(74) *Attorney, Agent, or Firm* — Fenwick & West LLP

(57) **CLAIM**
The ornamental design for a camera, as shown and described.

DESCRIPTION

FIG. 1 is a front, top, and right side perspective view of a camera showing our new design;
FIG. 2 is a front, bottom, and left side perspective view thereof; and,
FIG. 3 is a front elevational view thereof.
The broken lines depict portions of the camera in which the design is embodied that form no part of the claimed design.

1 Claim, 3 Drawing Sheets



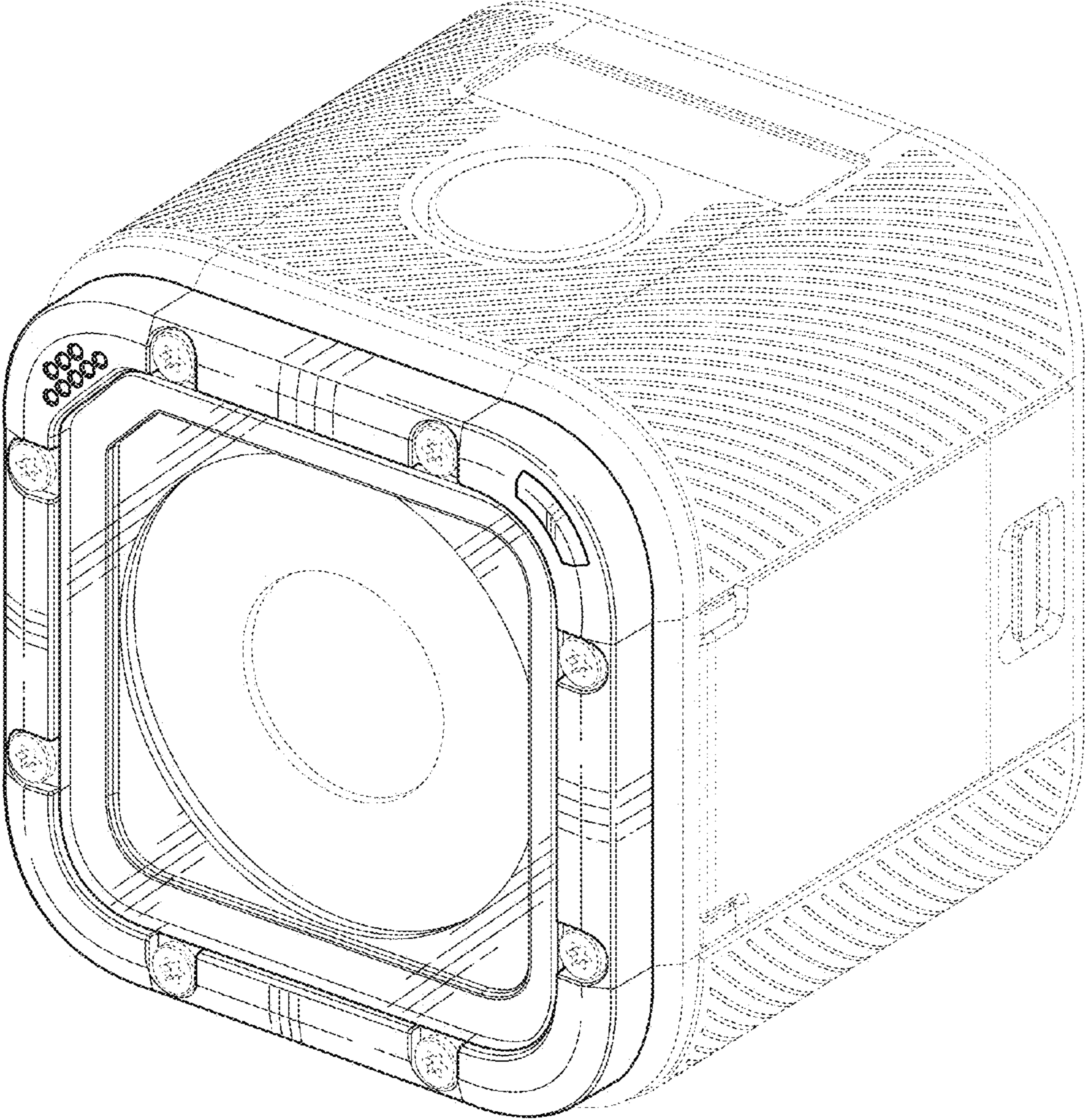


FIG. 1

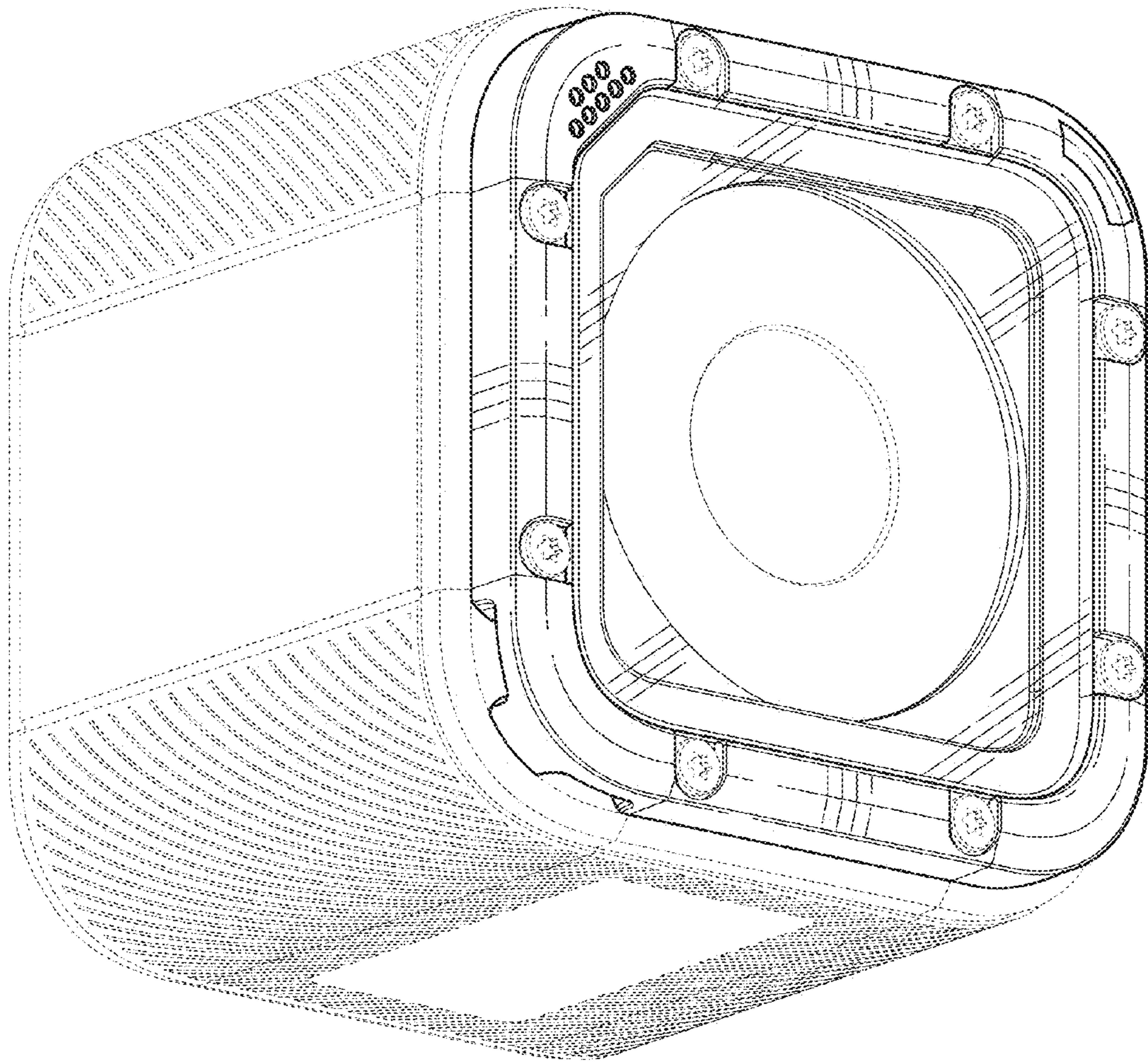


FIG. 2

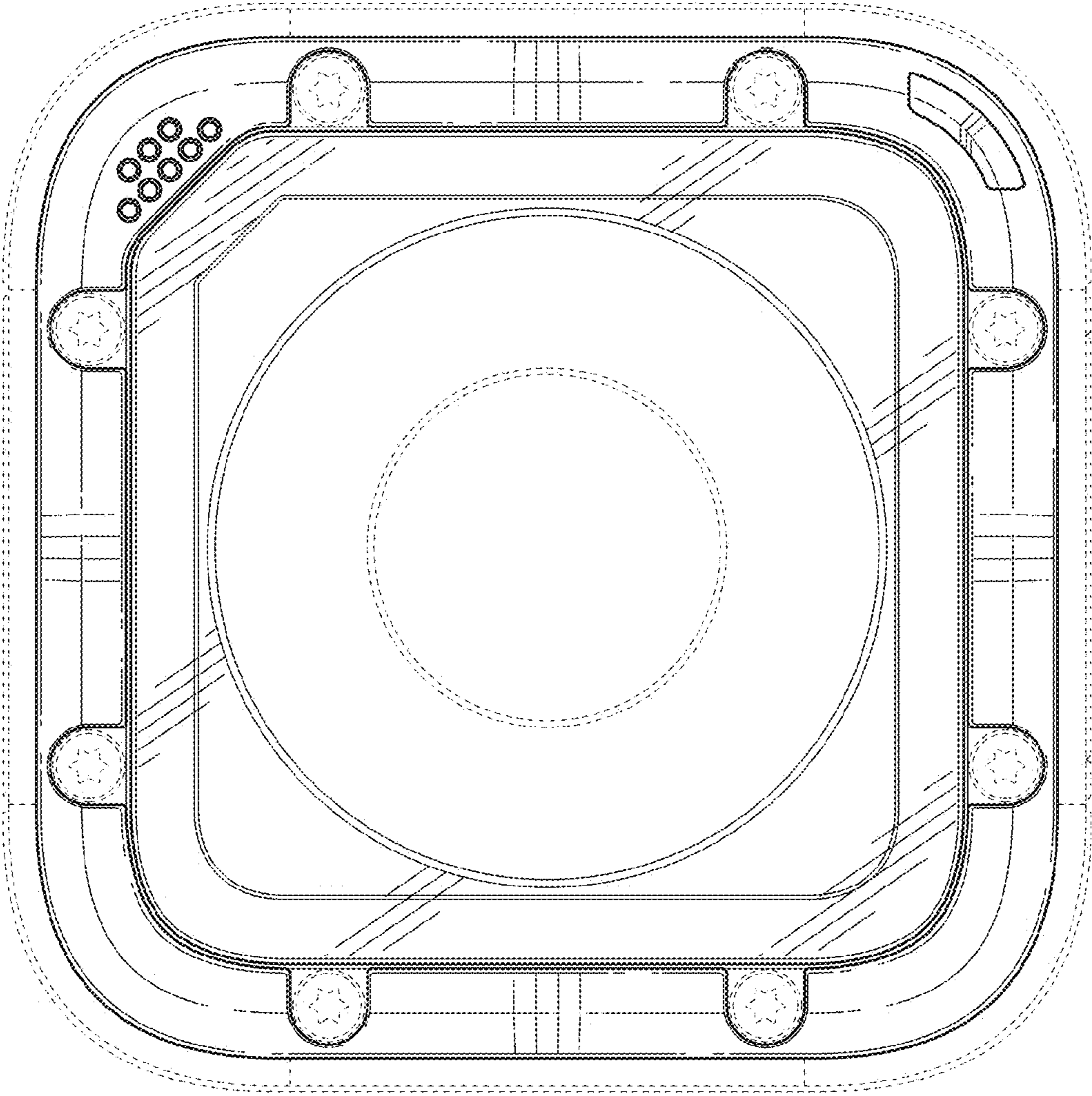


FIG. 3