



US00D759143S

(12) **United States Design Patent**
Edwards

(10) **Patent No.:** **US D759,143 S**
(45) **Date of Patent:** **** Jun. 14, 2016**

(54) **HEADBAND CAMERA WITH LENS COVER**
(71) Applicant: **Remote Xcess, LLC**, Laurel, MD (US)
(72) Inventor: **Marlena Edwards**, Washington, DC (US)
(73) Assignee: **Remote Xcess, LLC**, Laurel, MD (US)
(**) Term: **14 Years**

D550,266 S * 9/2007 Lau D16/202
7,369,174 B2 * 5/2008 Olita A42B 3/042
348/373
D629,031 S * 12/2010 Su D16/202
D631,497 S * 1/2011 Han D16/202
D641,388 S * 7/2011 Shih D16/202
8,342,758 B2 * 1/2013 Braithwaite A42B 1/242
396/419
D678,380 S * 3/2013 Pardo D16/202
D698,380 S * 1/2014 Fletcher D16/202
D736,296 S * 8/2015 Musec D16/208
D745,912 S * 12/2015 Lee D16/218

(21) Appl. No.: **29/523,231**

* cited by examiner

(22) Filed: **Apr. 7, 2015**

Primary Examiner — Adir Aronovich

(51) **LOC (10) Cl.** **16-01**

Assistant Examiner — Ramzi Almatrahi

(52) **U.S. Cl.**

(74) *Attorney, Agent, or Firm* — Michael D. Eisenberg

USPC **D16/208**; D16/218

(58) **Field of Classification Search**

(57) **CLAIM**

USPC D16/200–208, 210, 218, 219, 242;
D29/103; 250/330; 348/143, 148, 151,
348/157, 373–376; 359/631; 396/419, 420,
396/427, 535–541

The ornamental design for a headband camera with lens cover, as shown and described.

CPC G03B 15/03; G03B 17/02; G03B 17/04;
G03B 17/56; G03B 19/04; H04N 5/2251;
H04N 5/2252; H04N 5/2253; H04N 5/2254;
H04N 2101/00

DESCRIPTION

See application file for complete search history.

FIG. 1 is a front perspective view of a headband camera with lens cover showing my new design;
FIG. 2 is a front elevation view thereof;
FIG. 3 is a rear elevation view thereof;
FIG. 4 is a right side elevation view thereof;
FIG. 5 is a left side elevational view thereof;
FIG. 6 is a top plan view thereof; and,
FIG. 7 is a bottom plan view thereof.

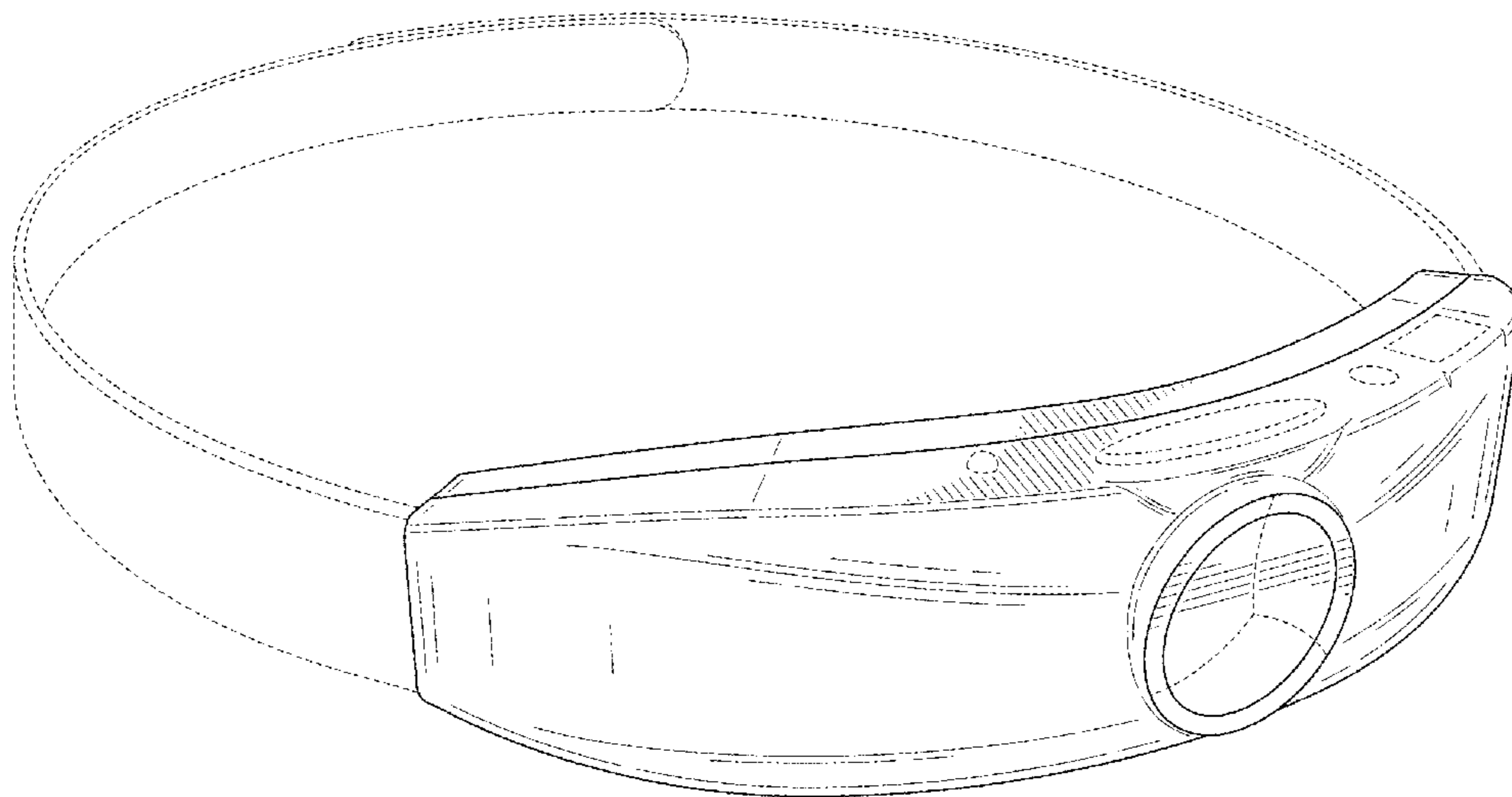
The broken lines depict portions of a headband camera with lens cover in which the design is embodied and form no part of the claimed design.

(56) **References Cited**

U.S. PATENT DOCUMENTS

D300,476 S * 3/1989 Sestak D16/130
D441,000 S * 4/2001 Vanderwilt D16/202
6,560,029 B1 * 5/2003 Dobbie G02B 23/125
2/6.1

1 Claim, 5 Drawing Sheets



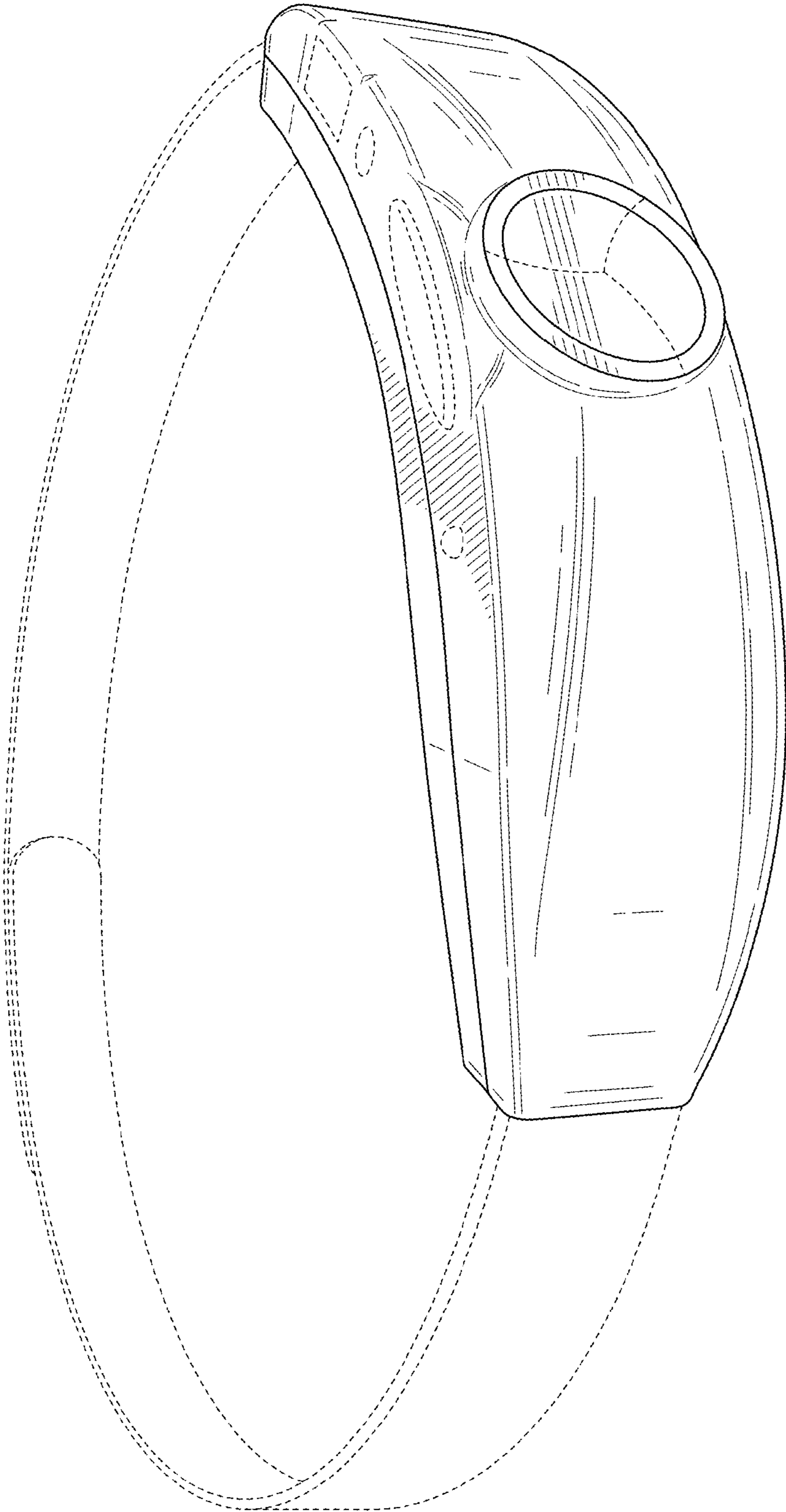


FIG. 1

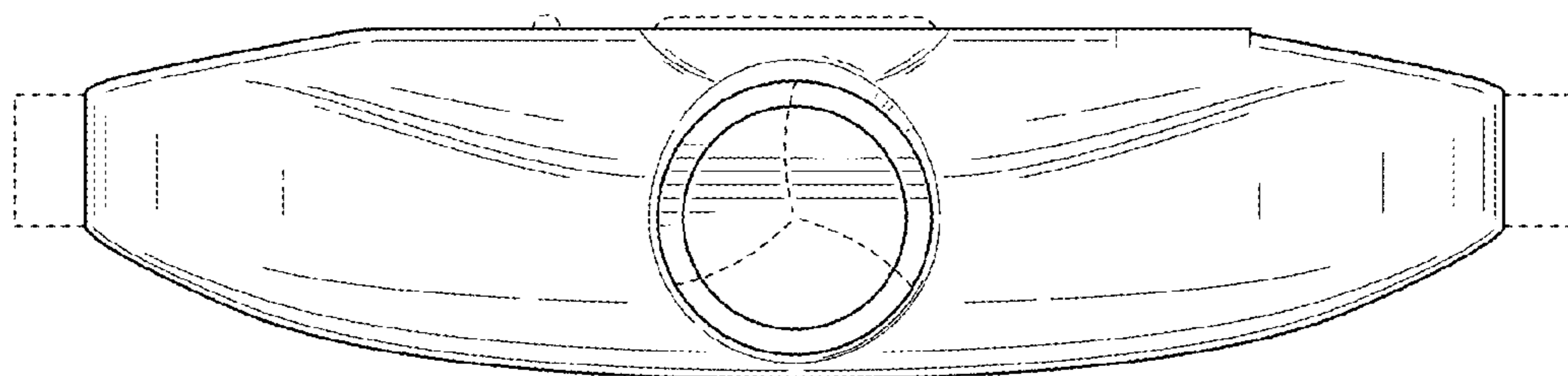


FIG. 2

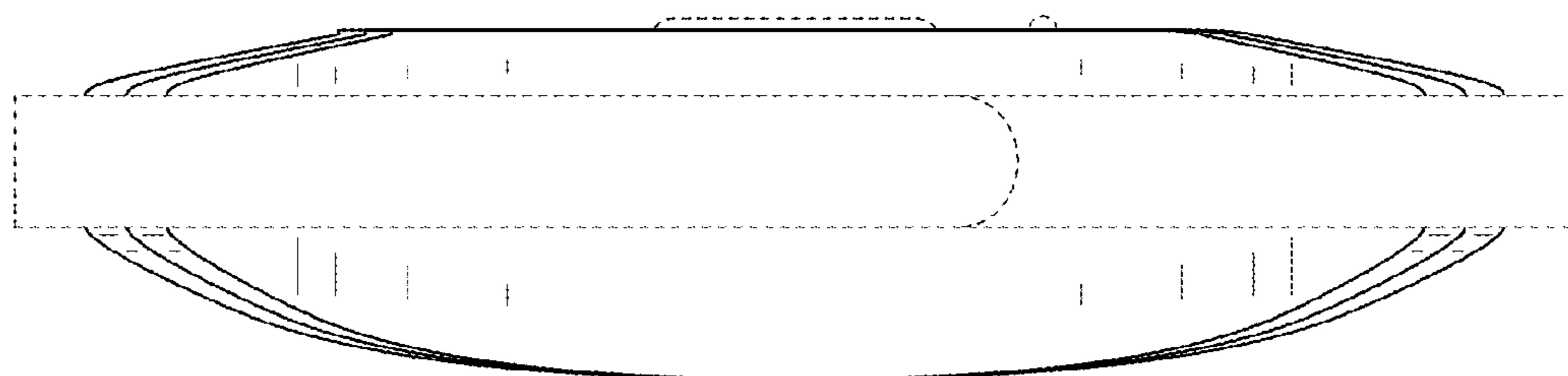


FIG. 3

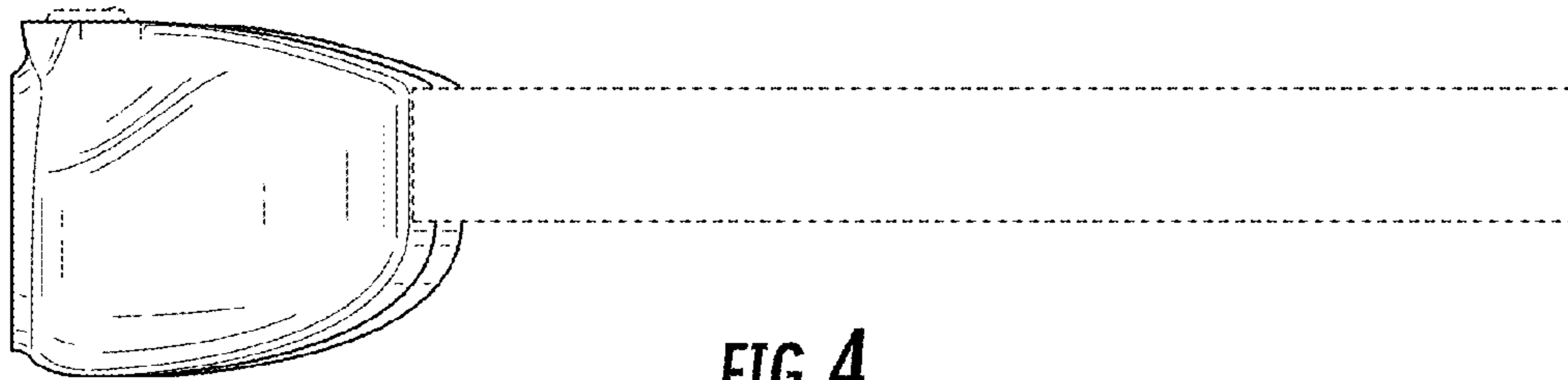


FIG. 4

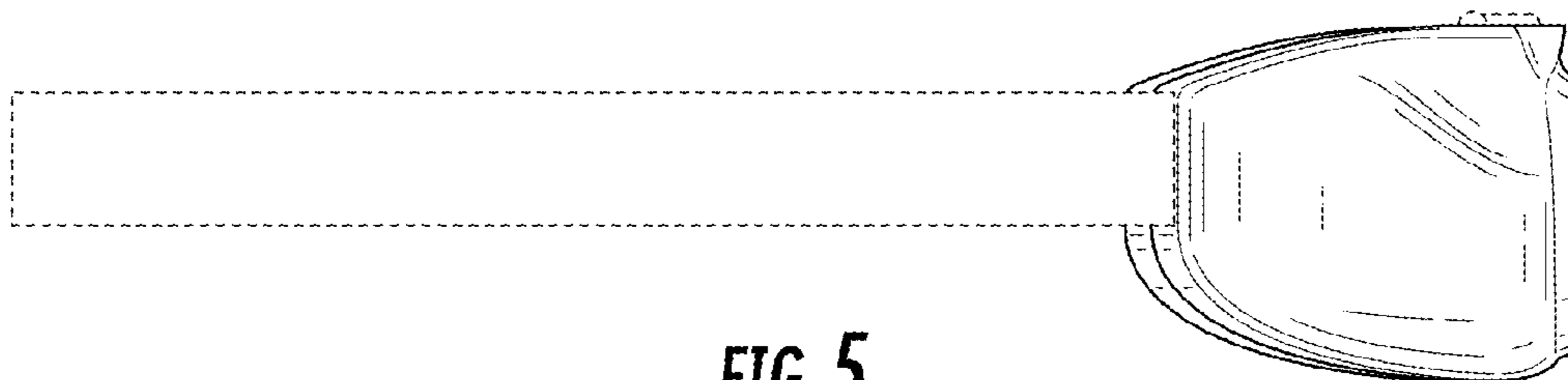


FIG. 5

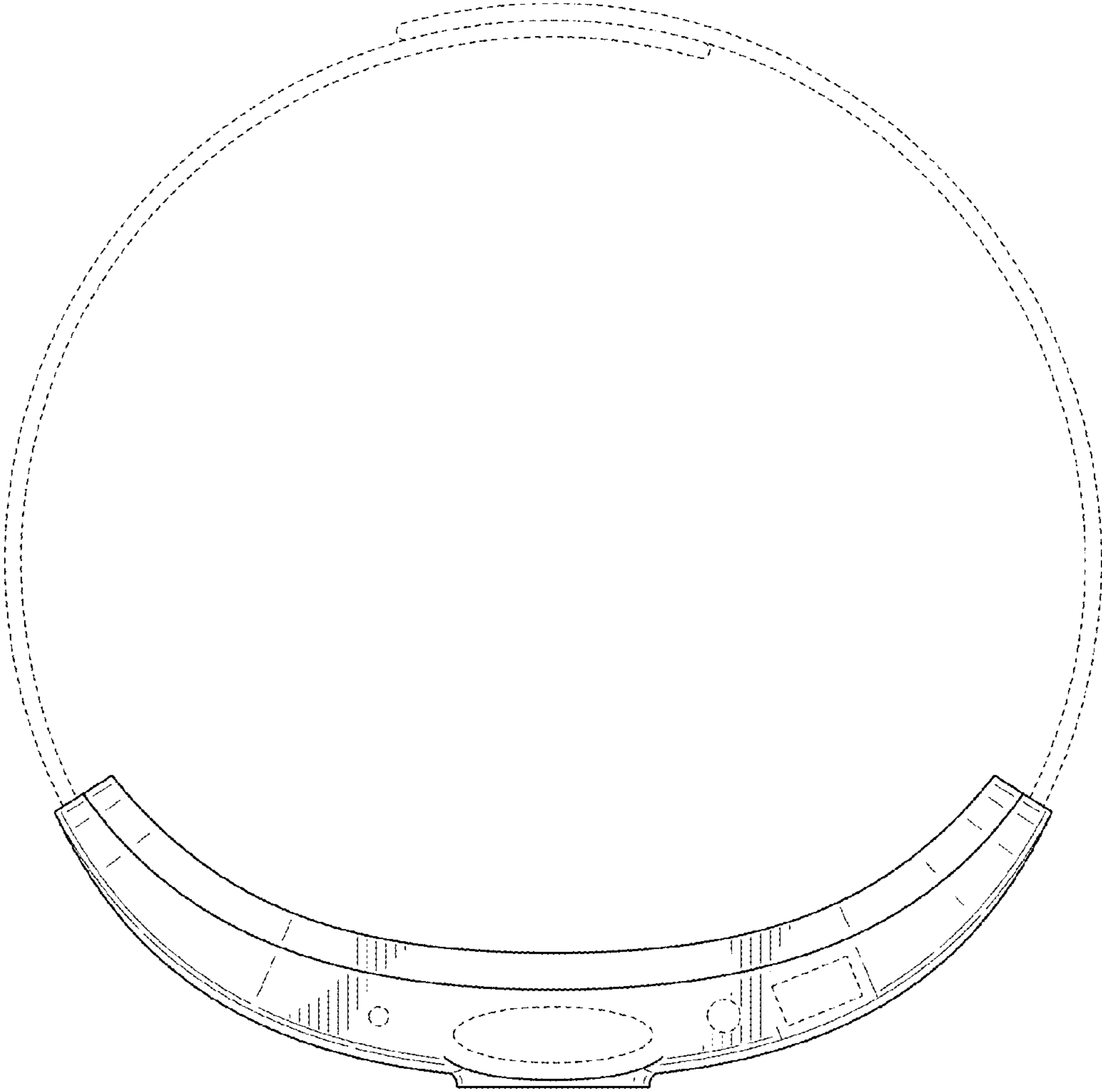


FIG. 6

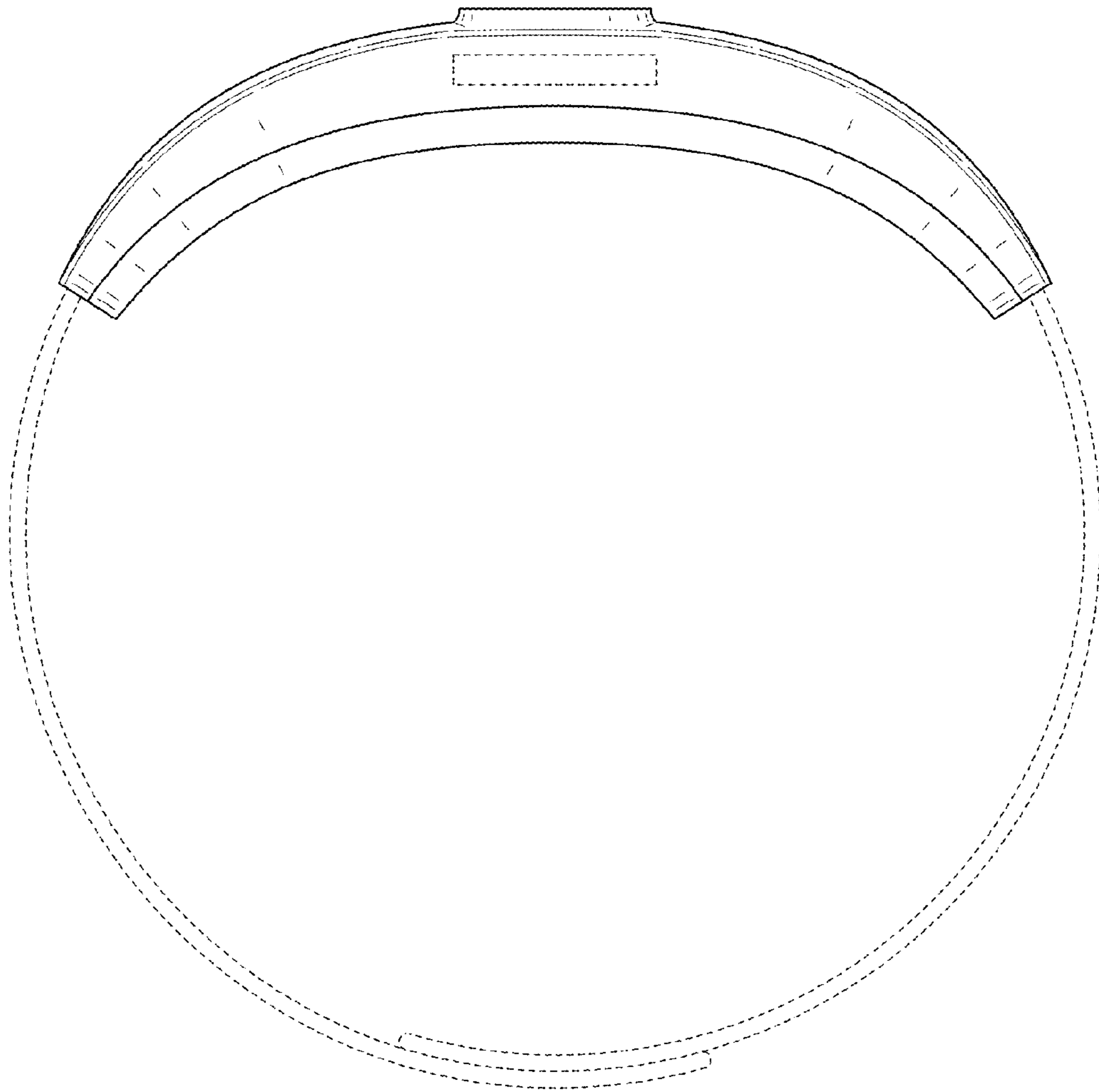


FIG. 7