



US00D759142S

(12) **United States Design Patent**  
**Hinkel**

(10) **Patent No.:** **US D759,142 S**

(45) **Date of Patent:** **\*\* Jun. 14, 2016**

(54) **SURVEILLANCE CAMERA**

(71) Applicant: **Ralf Hinkel**, Horingen (DE)

(72) Inventor: **Ralf Hinkel**, Horingen (DE)

(73) Assignee: **MOBOTIX AG** (DE)

(\*\*) Term: **14 Years**

(21) Appl. No.: **29/450,614**

(22) Filed: **Mar. 20, 2013**

(30) **Foreign Application Priority Data**

Sep. 21, 2012 (DE) ..... 40 2012 004 445

(51) **LOC (10) Cl.** ..... **16-01**

(52) **U.S. Cl.**  
USPC ..... **D16/203**

(58) **Field of Classification Search**

USPC ..... D16/200, 202-204, 207, 208, 210, 218,  
D16/219, 222; D12/400; 340/937; 348/143,  
348/148, 151, 360, 373-376; 396/427, 429,  
396/529, 535, 539-541; 359/826-828  
CPC ..... G03B 15/03; G03B 17/02; G03B 17/04;  
G03B 17/48; G03B 17/56; G03B 19/04;  
G08G 1/0175; H04N 5/2251; H04N 5/2252;  
H04N 5/2253; H04N 5/2254; H04N 2101/00

See application file for complete search history.

(56) **References Cited**

U.S. PATENT DOCUMENTS

6,115,197	A *	9/2000	Funahashi .....	G02B 7/102 359/701
D455,166	S *	4/2002	Raad .....	D10/104.1
6,860,654	B1 *	3/2005	Ching-Wen .....	G08B 13/19619 348/143
D523,057	S *	6/2006	Watanabe .....	D16/134
D554,168	S *	10/2007	Shi .....	D16/202
D598,039	S *	8/2009	Owada .....	D16/134
D610,186	S *	2/2010	Jannard .....	D16/202
D664,580	S *	7/2012	Sigward .....	D16/219
D702,750	S *	4/2014	Yoon .....	D16/219
D704,759	S *	5/2014	Park .....	D16/219
D730,967	S *	6/2015	O'Neill .....	D16/219
D730,968	S *	6/2015	O'Neill .....	D16/219

\* cited by examiner

*Primary Examiner* — Susan E Krakower

*Assistant Examiner* — Ramzi Almatrahi

(74) *Attorney, Agent, or Firm* — Salter & Michaelson

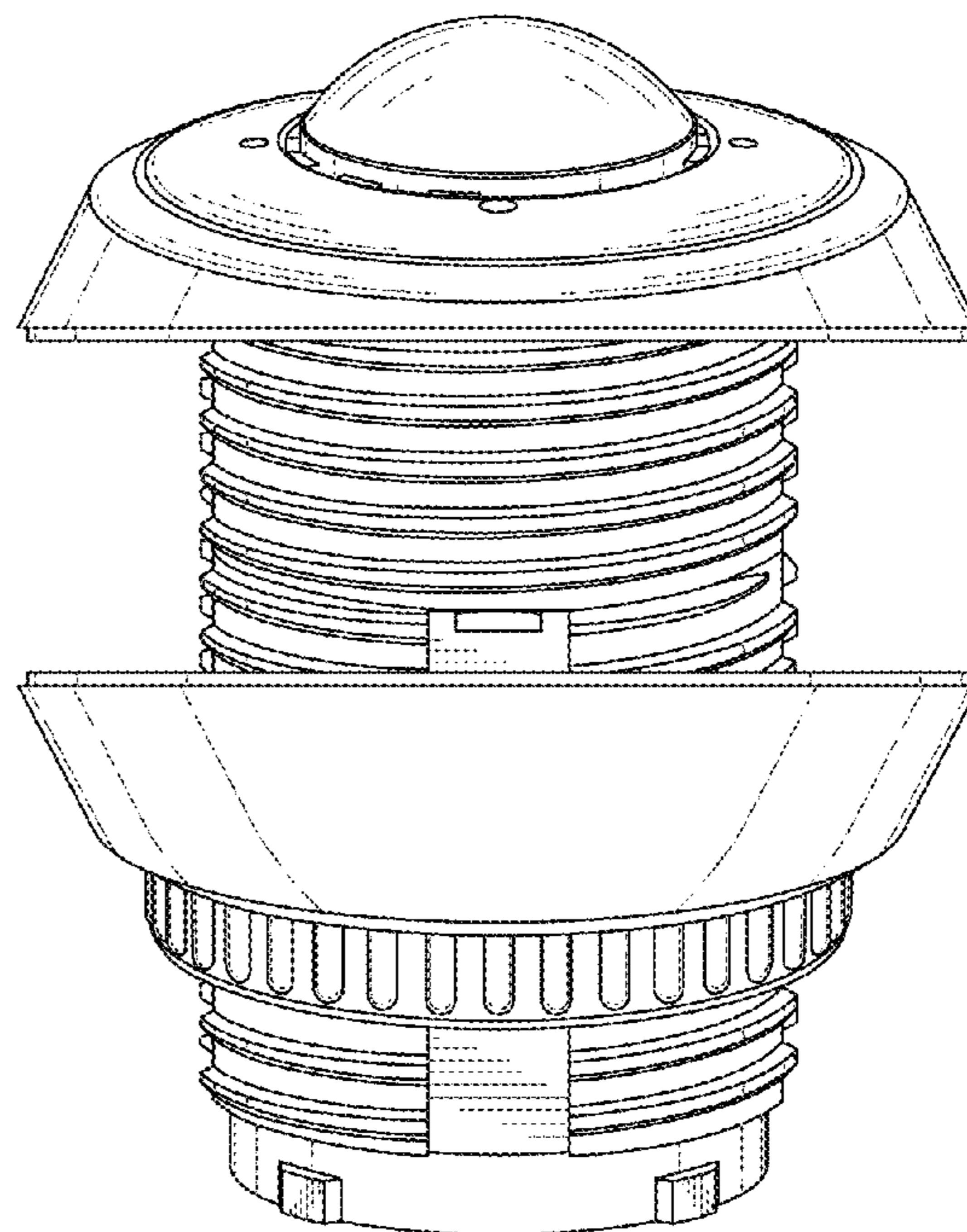
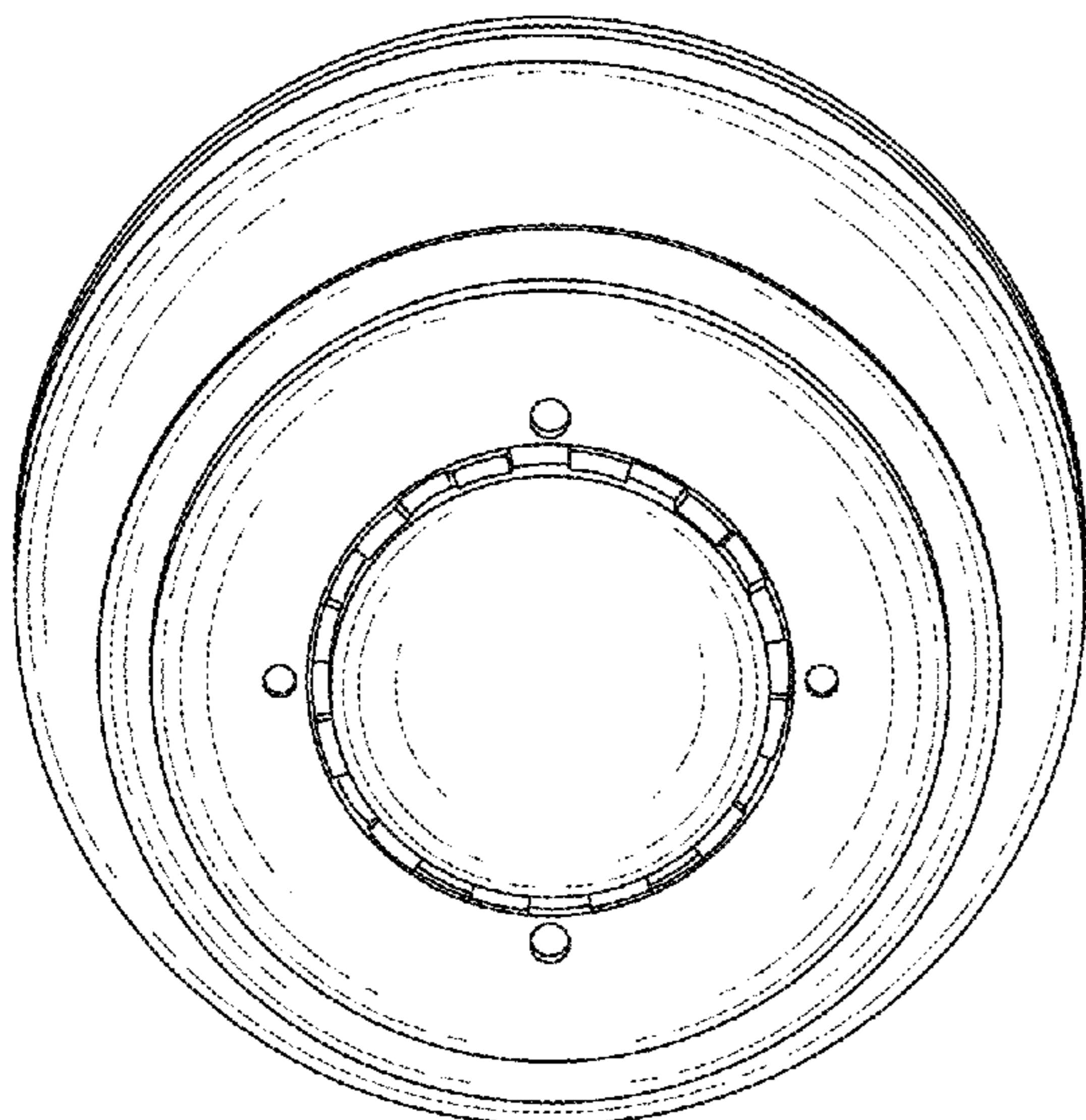
(57) **CLAIM**

The ornamental design for surveillance camera, as shown and described.

**DESCRIPTION**

FIG. 1 is a front perspective view of a surveillance camera; FIG. 2 is a rear perspective view thereof; FIG. 3 is a left side elevational view thereof; FIG. 4 is a right side elevational view thereof; FIG. 5 is a top perspective view thereof; and, FIG. 6 is a bottom perspective view thereof. The broken lines depict portions of a surveillance camera in which the design is embodied and form no part of the claimed design.

**1 Claim, 6 Drawing Sheets**



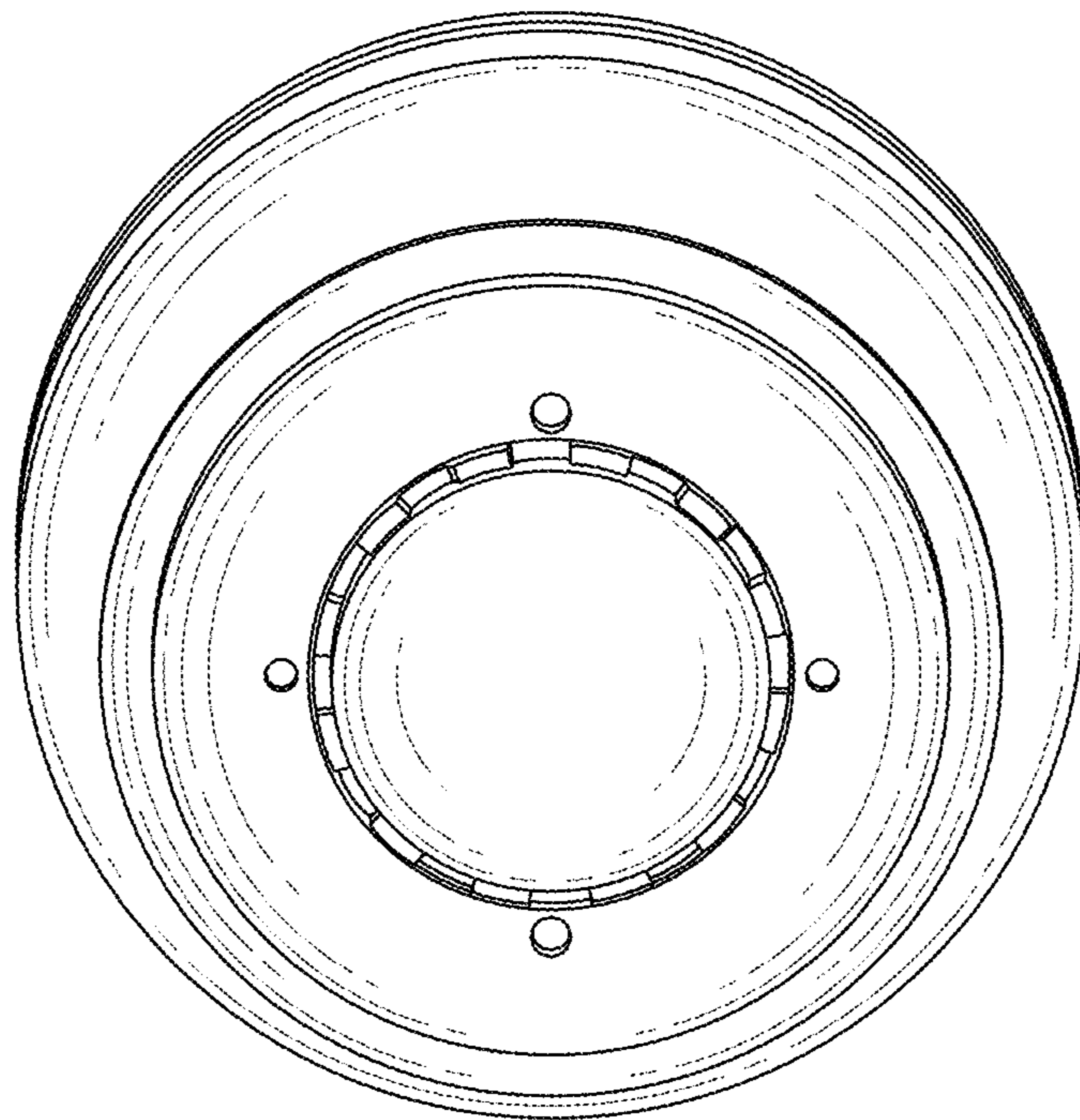


FIG. 1

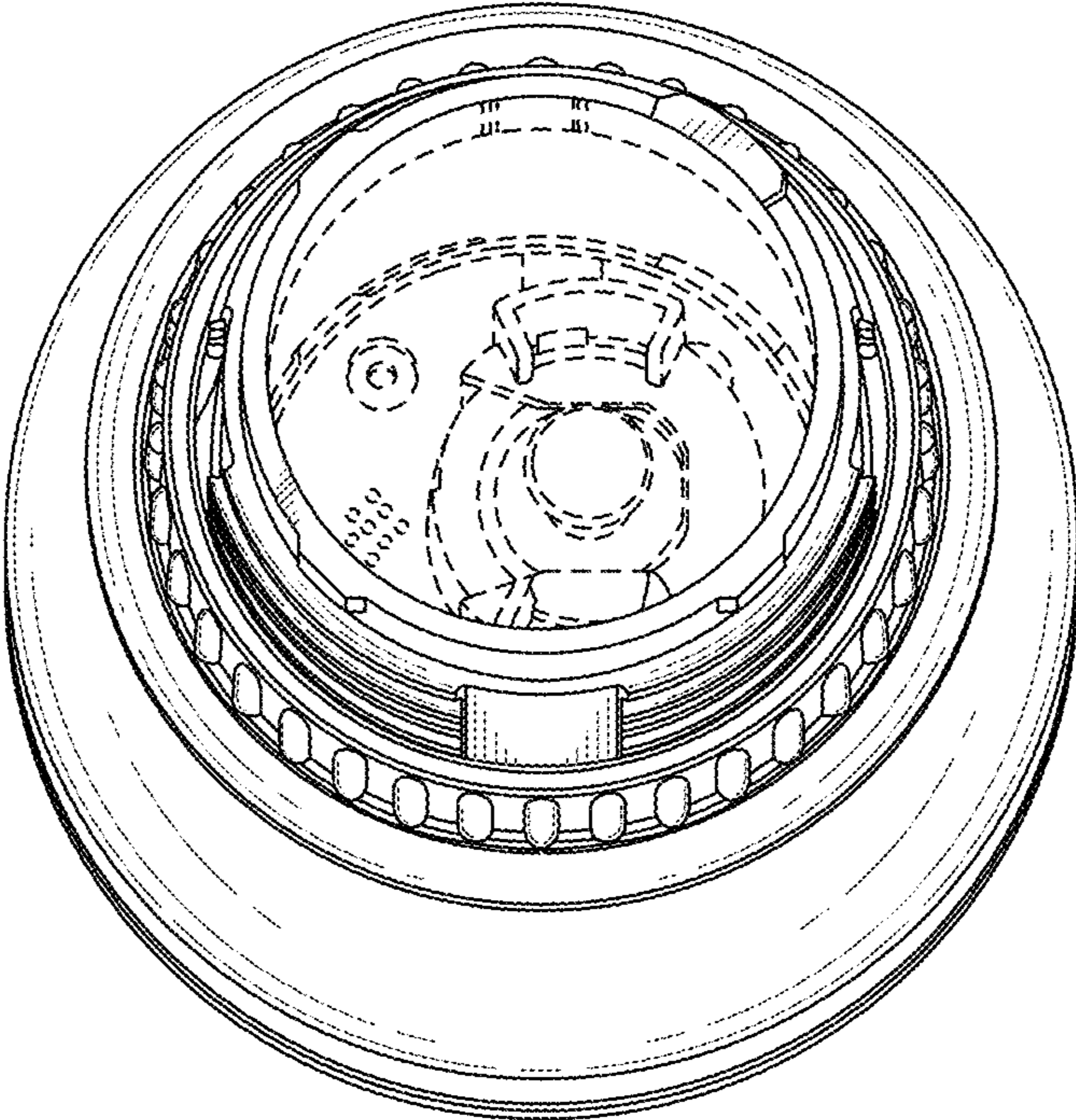


FIG. 2

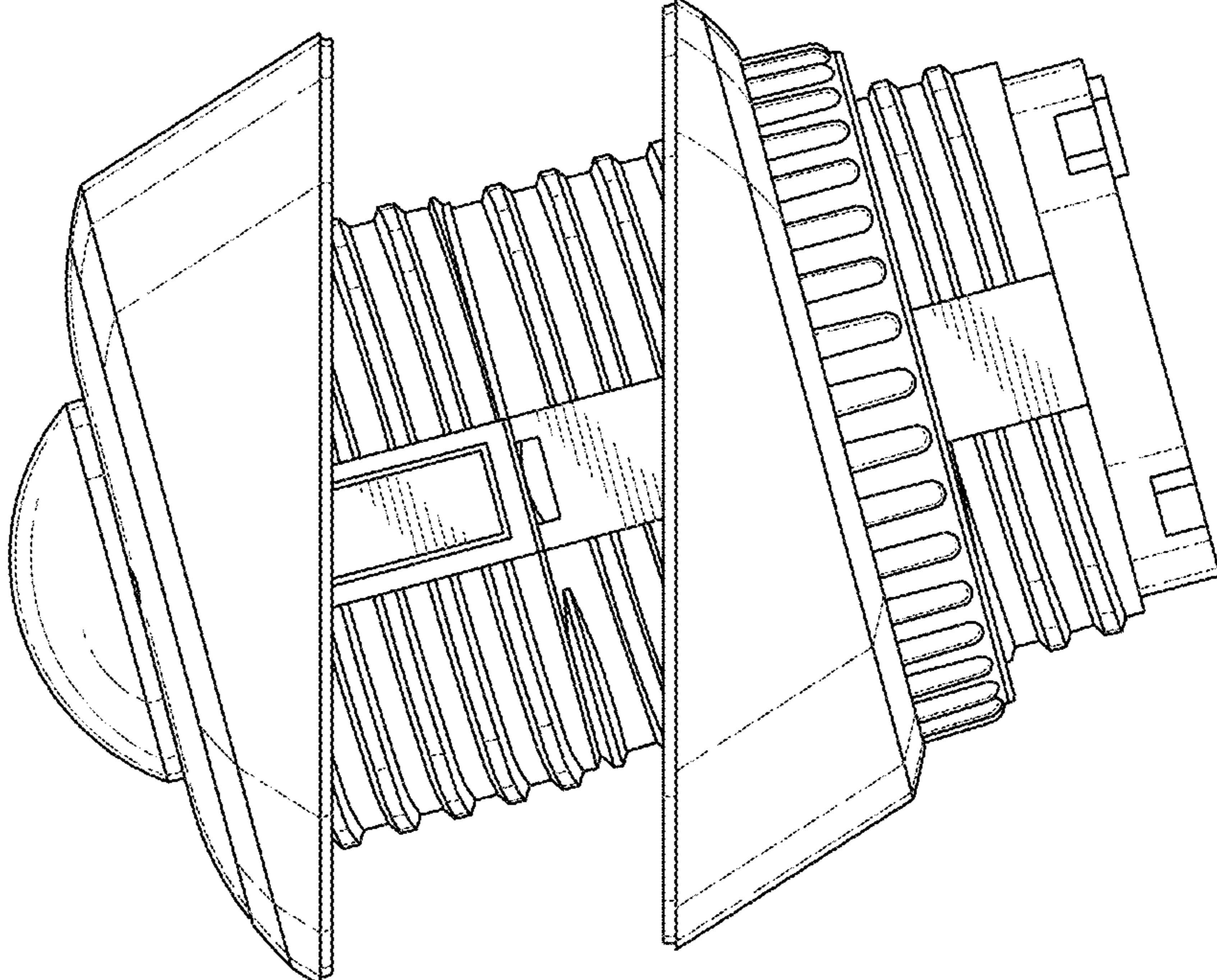


FIG. 3

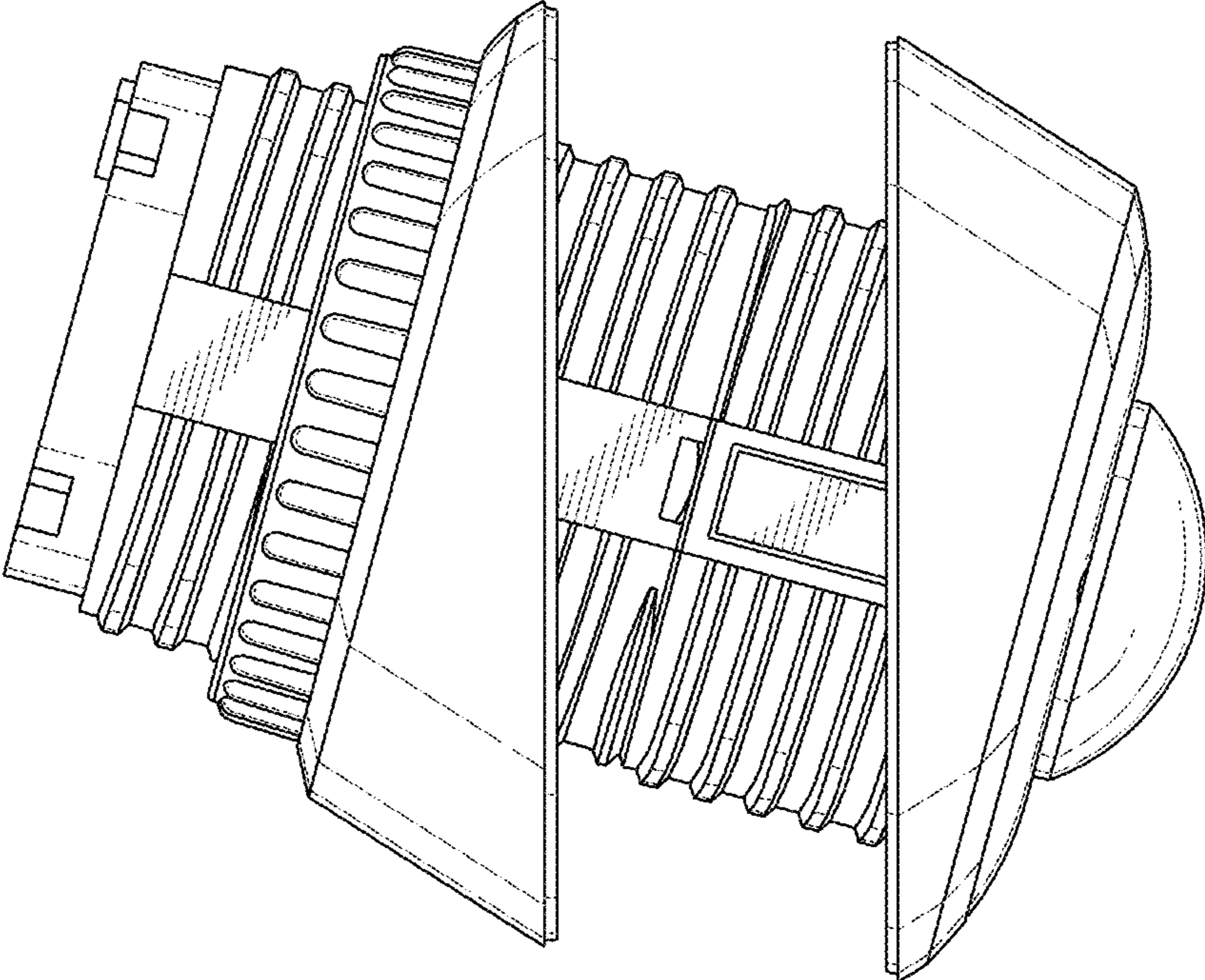


FIG. 4

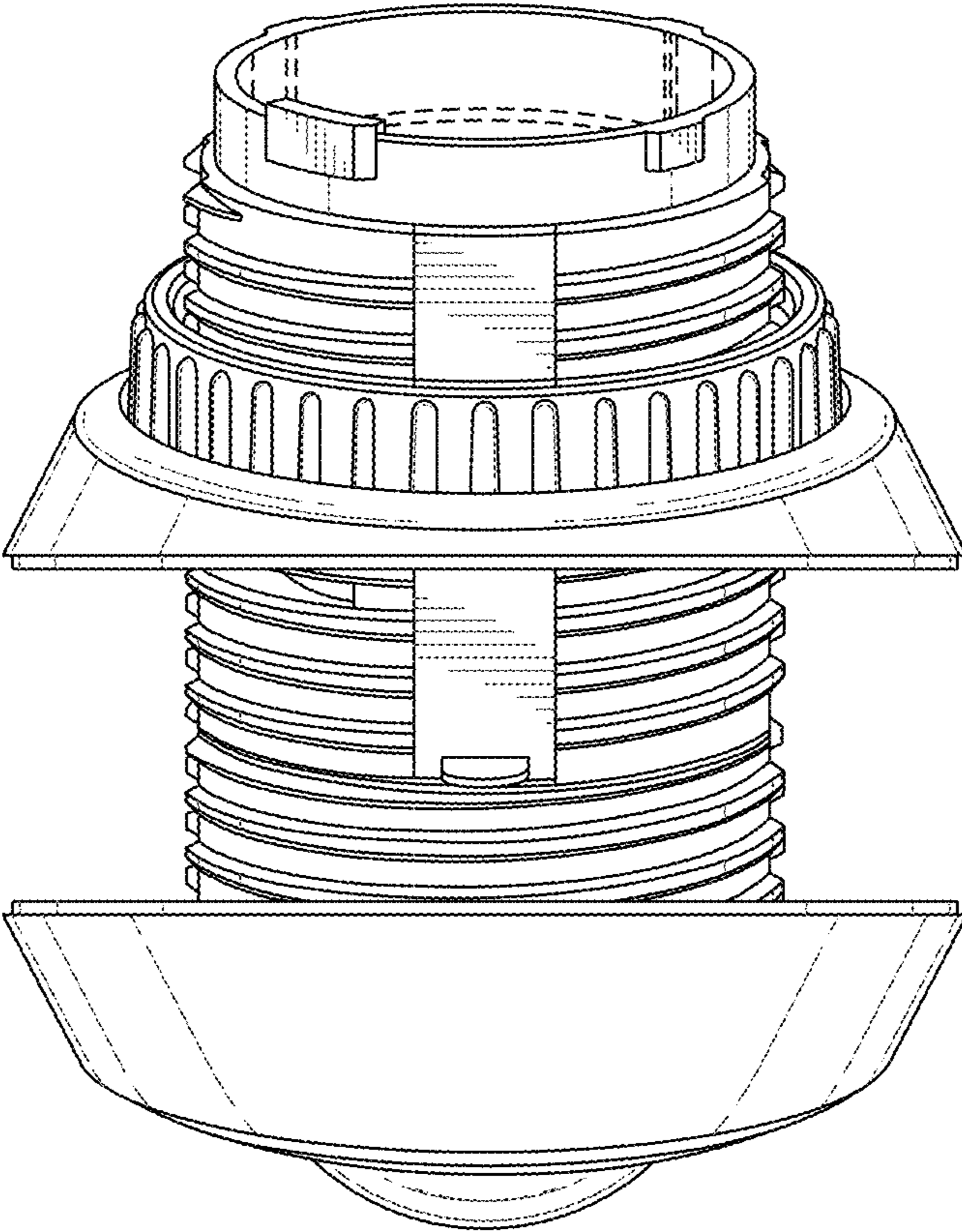


FIG. 5

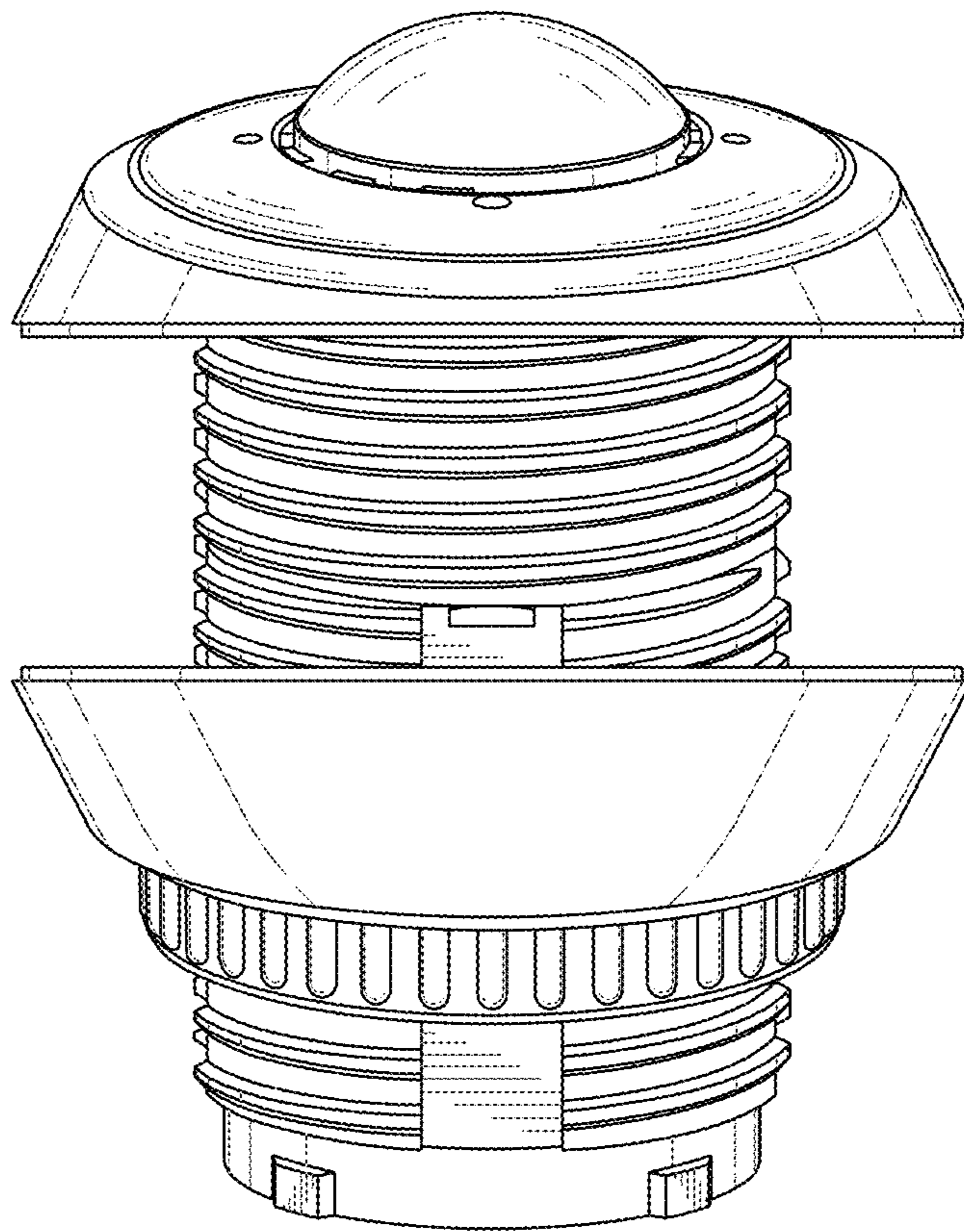


FIG. 6