



US00D759141S

(12) **United States Design Patent**  
**Bacon et al.**

(10) **Patent No.:** **US D759,141 S**  
(45) **Date of Patent:** **\*\* Jun. 14, 2016**

(54) **CAMERA HOUSING**

(71) Applicant: **GoPro, Inc.**, San Mateo, CA (US)  
(72) Inventors: **Charles Bacon**, San Francisco, CA (US); **Kielan Crow**, San Francisco, CA (US); **Seunghoon Lee**, Cupertino, CA (US); **Eric McCallister Bennett**, Foster City, CA (US)

(73) Assignee: **GoPro, Inc.**, San Mateo, CA (US)

(\*\*) Term: **14 Years**

(21) Appl. No.: **29/526,511**

(22) Filed: **May 11, 2015**

(51) **LOC (10) Cl.** ..... **16-01**

(52) **U.S. Cl.**  
USPC ..... **D16/200**

(58) **Field of Classification Search**  
USPC ..... D16/200, 202, 203, 208, 218, 219;  
348/373-374; 396/535, 540, 541  
CPC ..... G03B 15/00; G03B 15/03; G03B 15/06;  
G03B 17/02; G03B 17/04; G03B 17/045;  
H04N 5/2251; H04N 5/2252; H04N 5/2253;  
H04N 5/2254

See application file for complete search history.

(56) **References Cited**

**U.S. PATENT DOCUMENTS**

679,881 A \* 8/1901 Whitby ..... G03B 17/045  
396/535  
D441,386 S \* 5/2001 Yamazaki ..... D16/203

D504,904 S \* 5/2005 Nagai ..... D16/203  
D515,121 S \* 2/2006 Bleau ..... D16/202  
D616,480 S \* 5/2010 Ookawa ..... D16/218  
D653,687 S \* 2/2012 Yu ..... D16/200  
8,467,675 B2 \* 6/2013 Chen ..... G03B 17/02  
348/374  
D699,277 S \* 2/2014 Samuels ..... D16/200  
D730,423 S \* 5/2015 Vandenbussche ..... D16/218

\* cited by examiner

*Primary Examiner* — Susan E Krakower

*Assistant Examiner* — Ramzi Almatrahi

(74) *Attorney, Agent, or Firm* — Fenwick & West LLP

(57) **CLAIM**

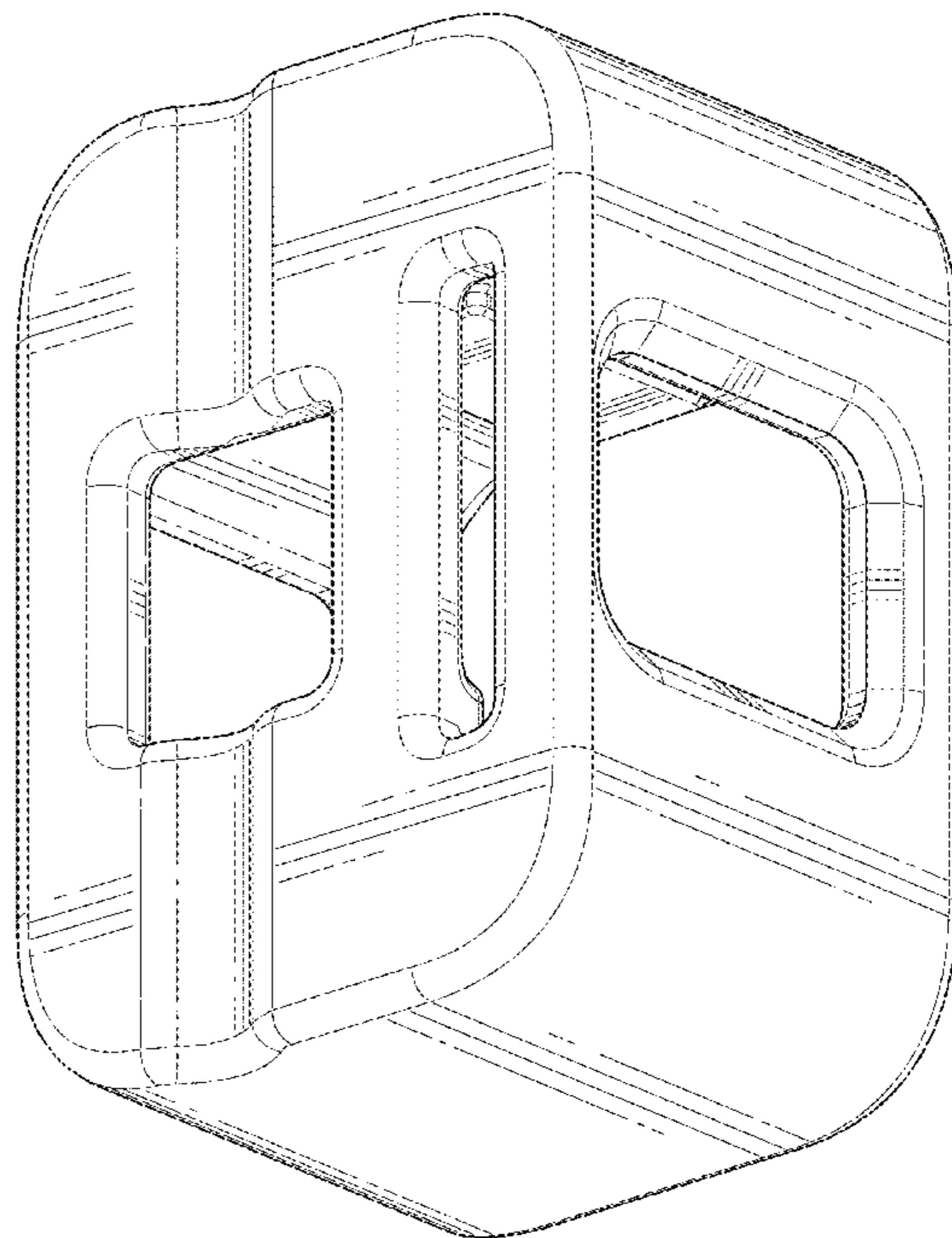
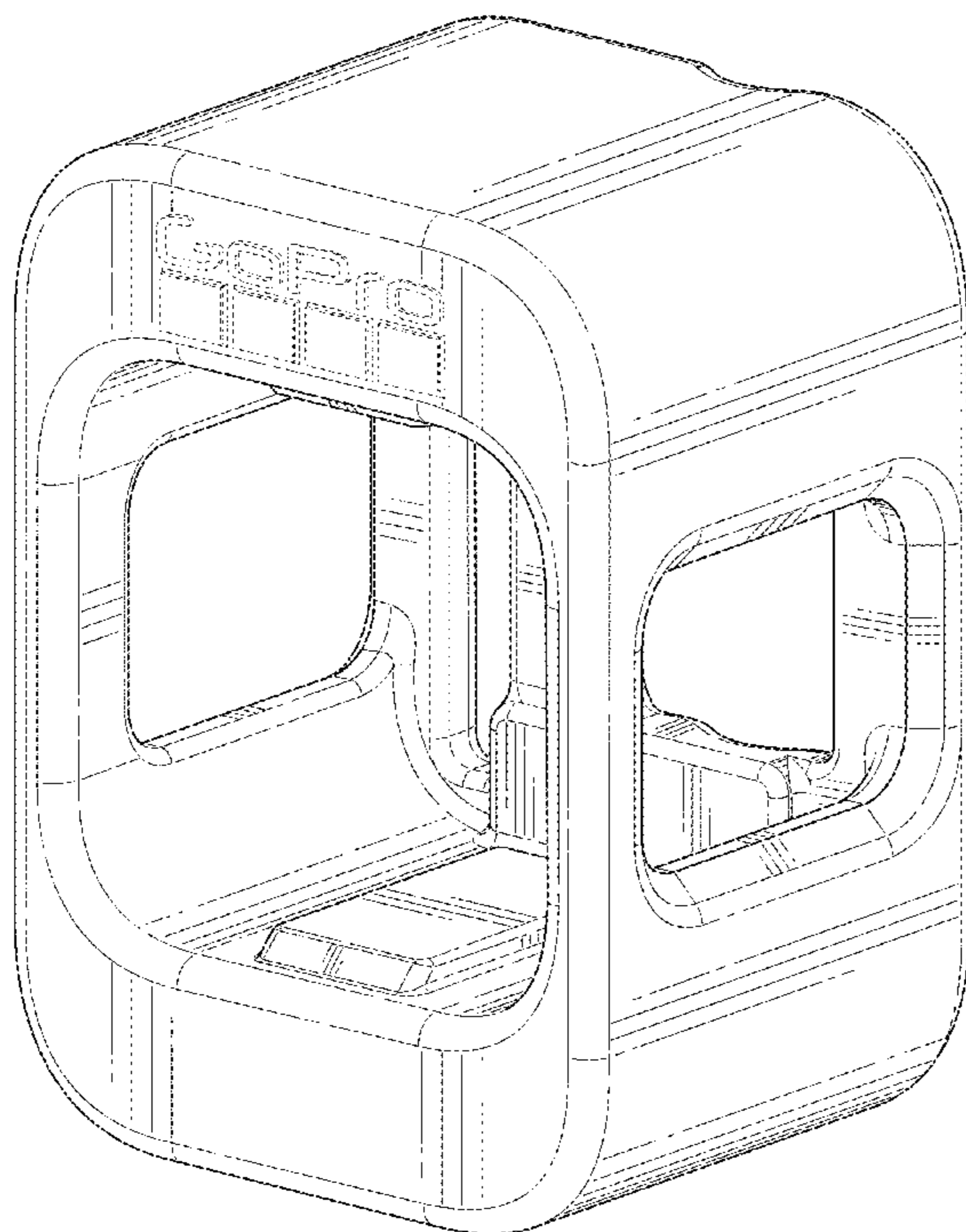
The ornamental design for a camera housing, as shown and described.

**DESCRIPTION**

FIG. 1 is a front, top, and right side perspective view of a camera housing showing our new design; FIG. 2 is a rear, bottom, and left side perspective view thereof; FIG. 3 is a front elevational view thereof; FIG. 4 is a rear elevational view thereof; FIG. 5 is a right side elevational view thereof; FIG. 6 is a left side elevational view thereof; FIG. 7 is a top plan view thereof; and, FIG. 8 is a bottom plan view thereof.

The broken lines in the drawings showing portions of the camera housing are included for the purpose of illustrating environment structure and for no part of the claimed design. The word “GoPro” illustrated in broken lines in the drawings is a registered trademark of GoPro, Inc.

**1 Claim, 8 Drawing Sheets**



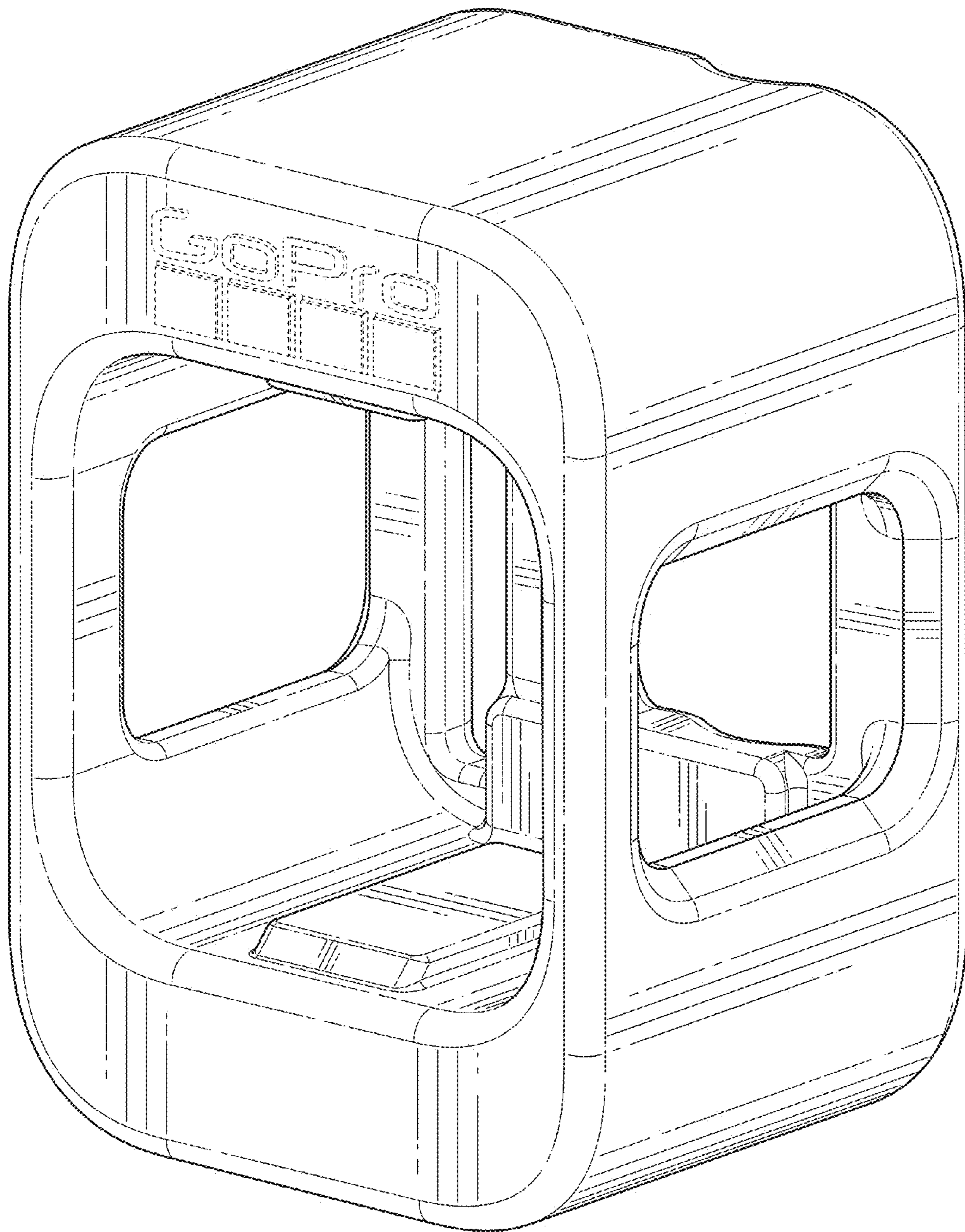


FIG. 1

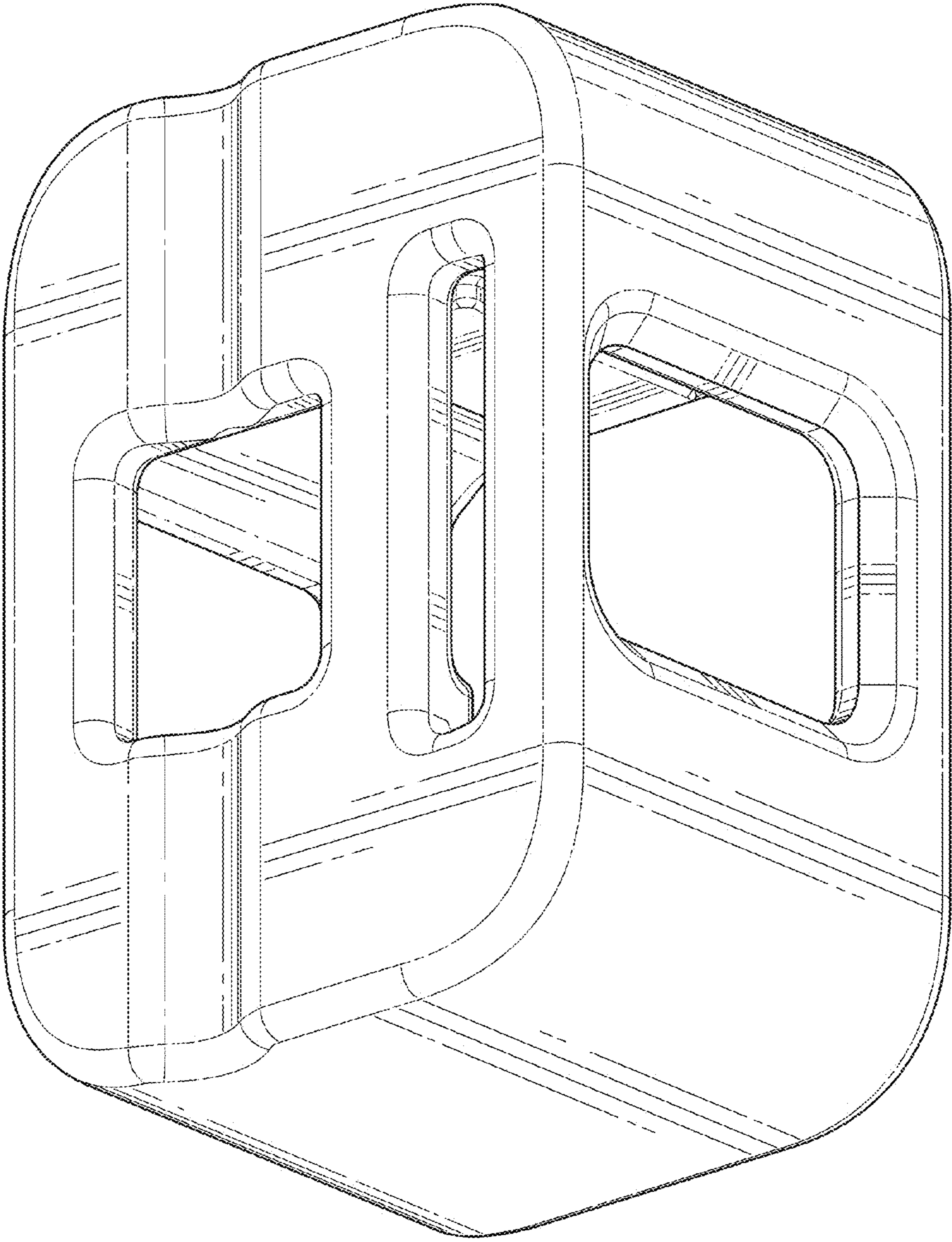


FIG. 2

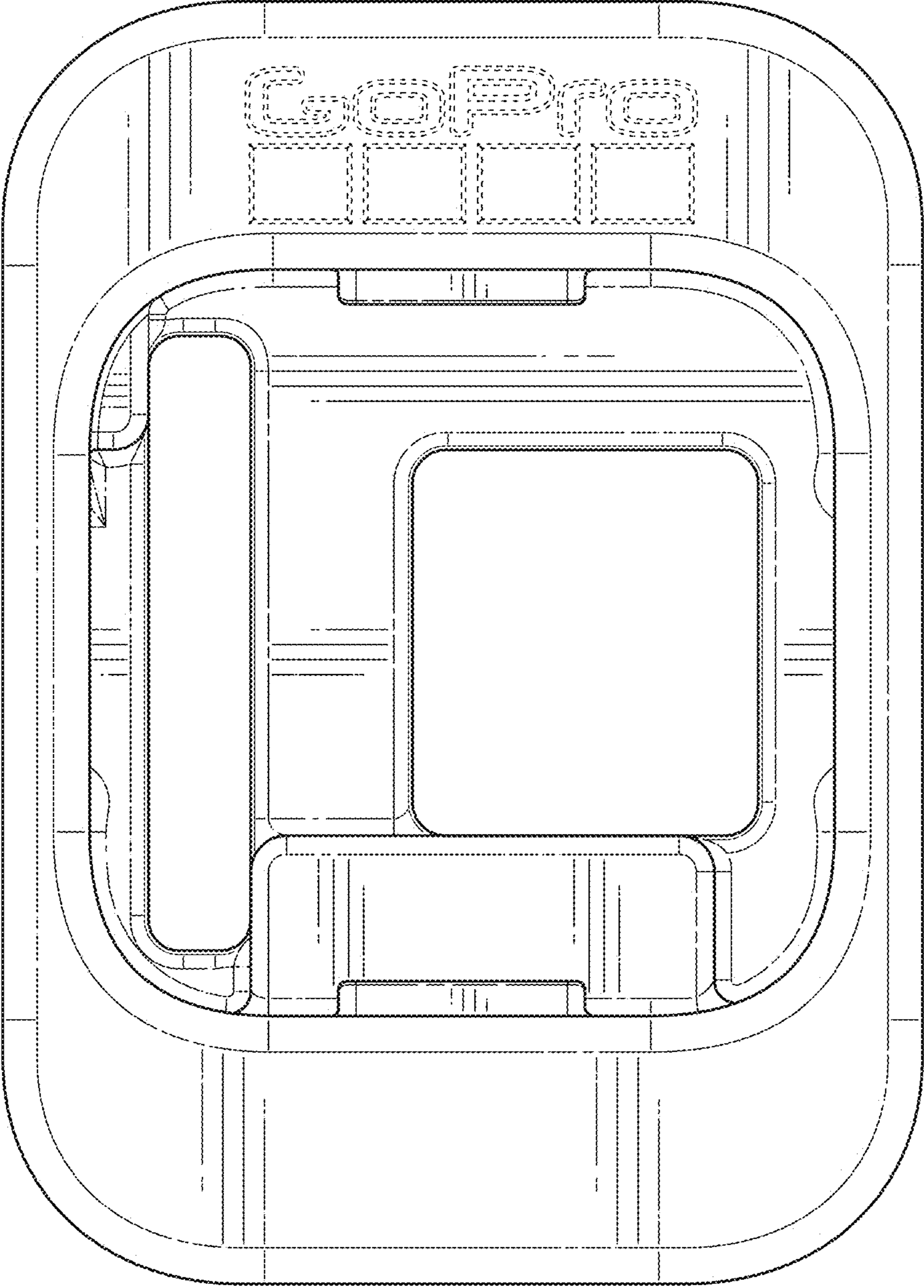


FIG. 3

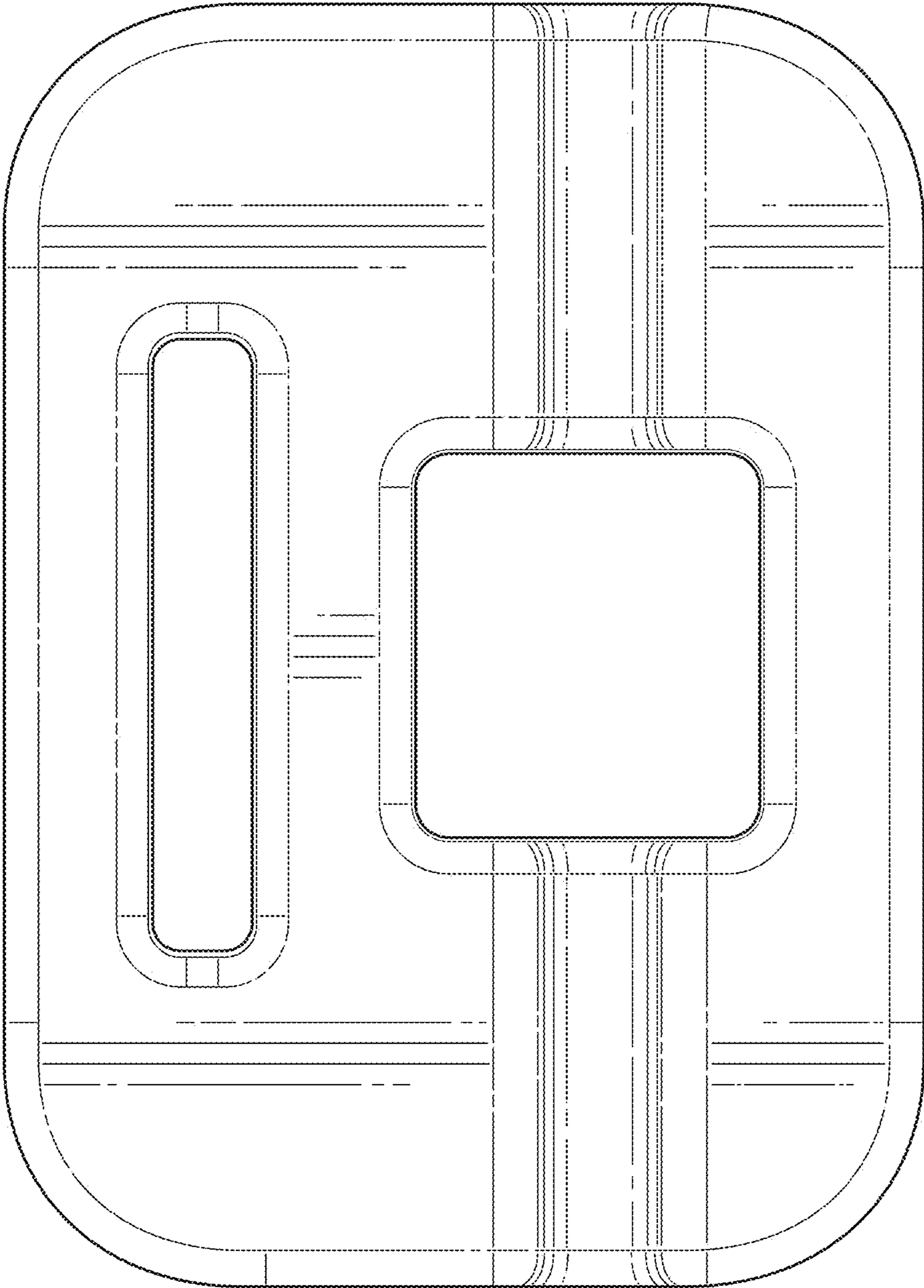


FIG. 4

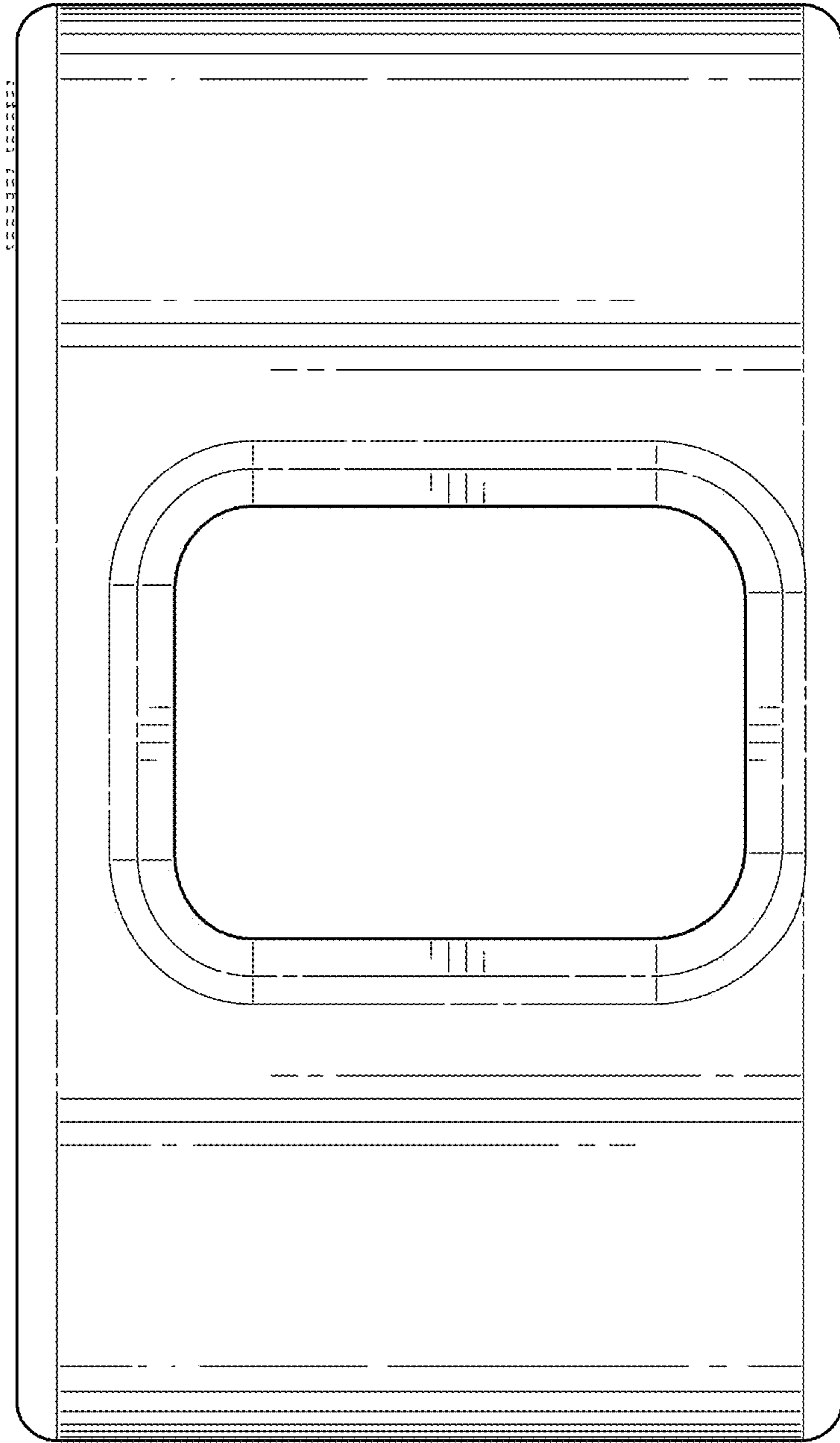


FIG. 5

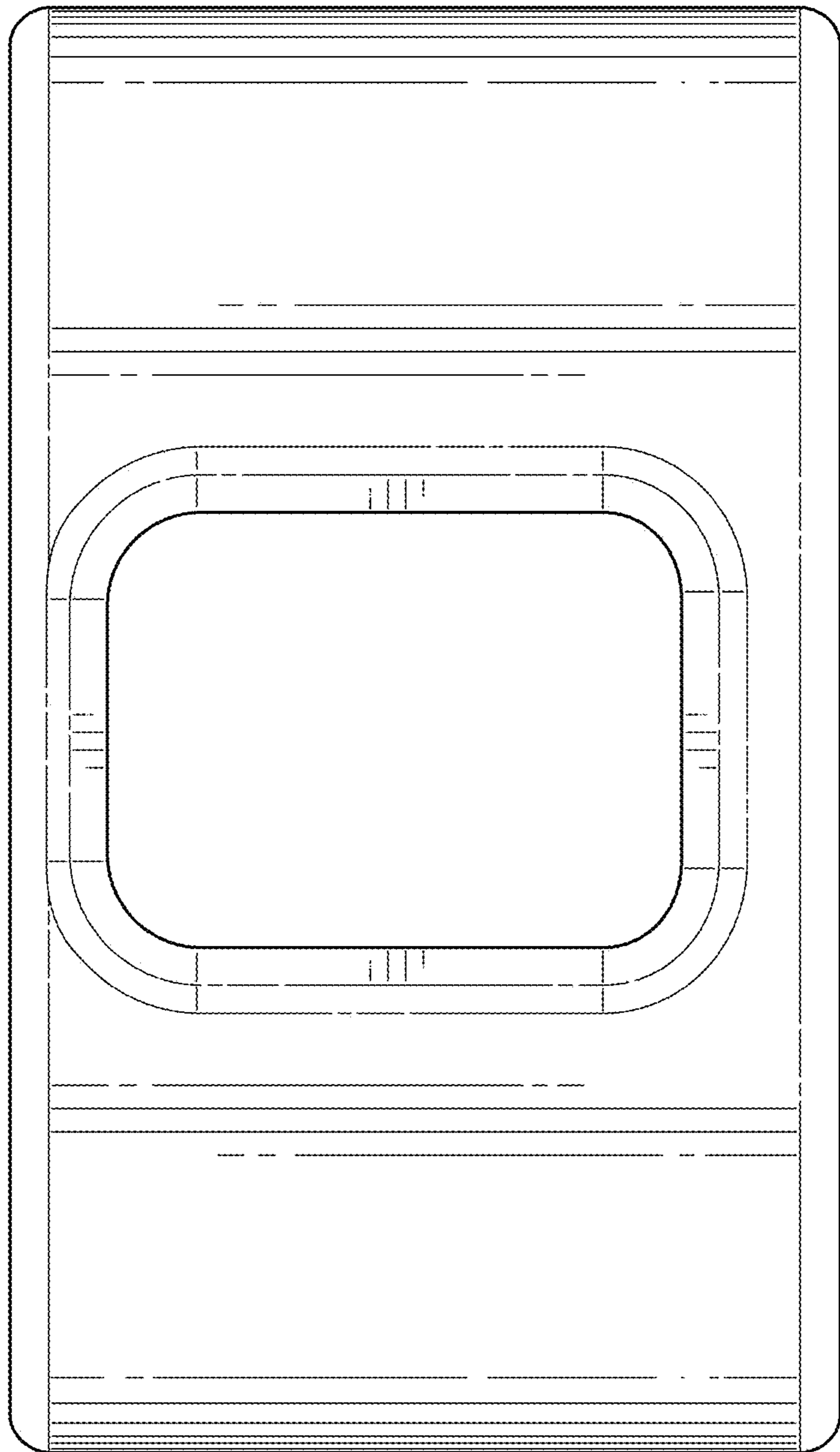


FIG. 6

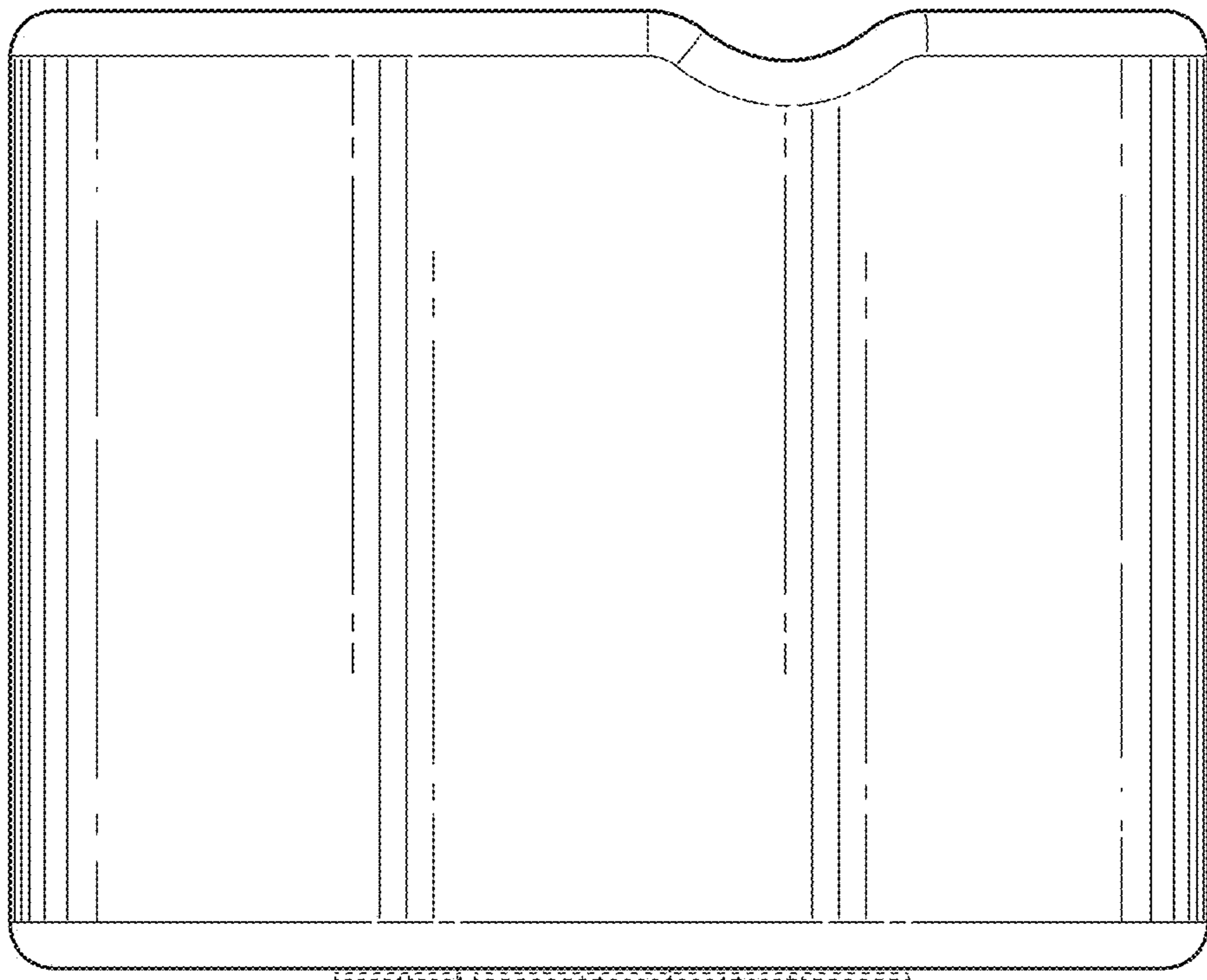


FIG. 7



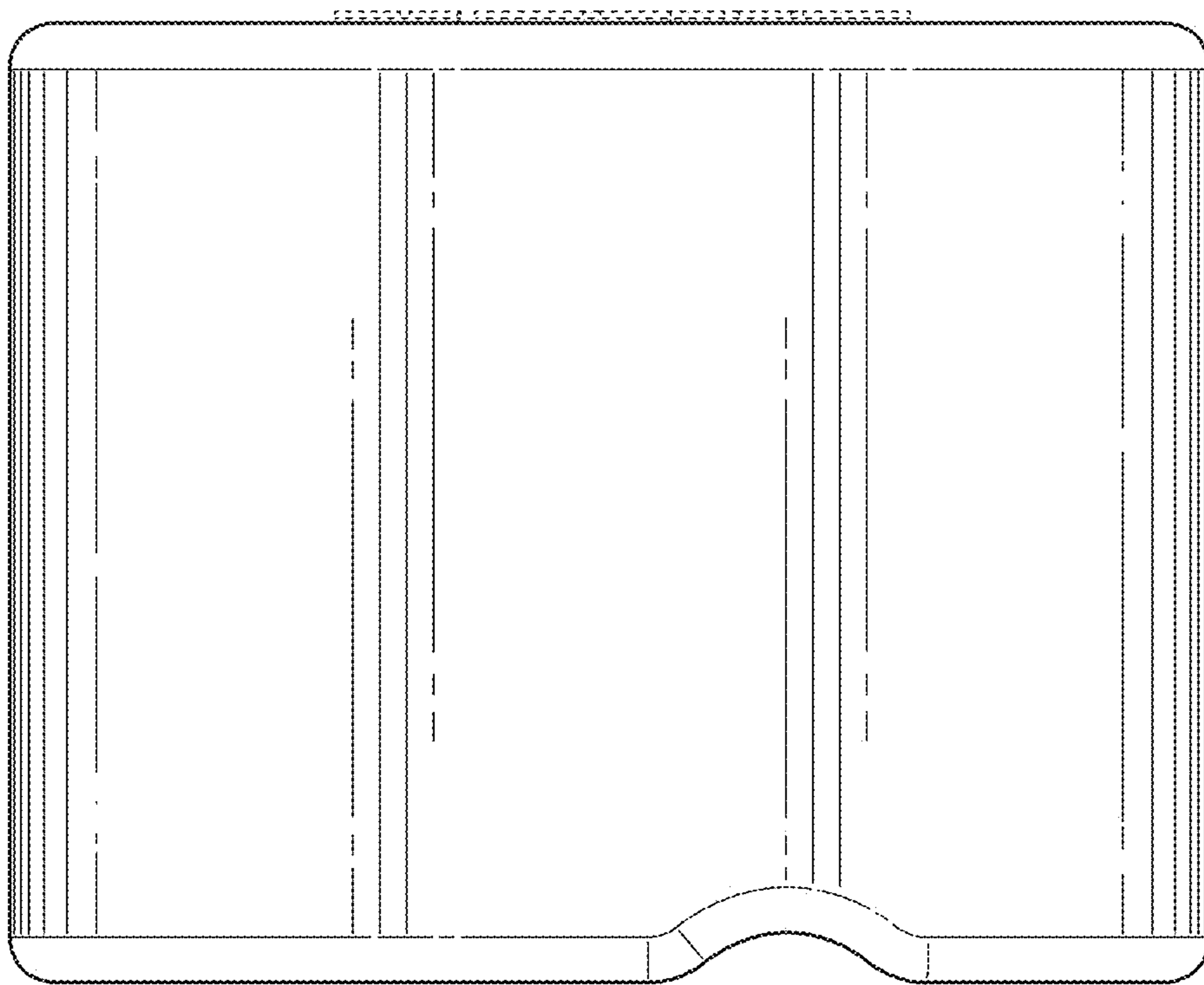


FIG. 8