



US00D759140S

(12) **United States Design Patent**
Baker et al.

(10) **Patent No.:** **US D759,140 S**
(45) **Date of Patent:** **** Jun. 14, 2016**

(54) **RUBBER BAND DEVICE**

FOREIGN PATENT DOCUMENTS

(71) Applicant: **ExpoImaging Inc**, Watsonville, CA (US)

CN 303387834 * 9/2015

(72) Inventors: **John B. Baker**, Aptos, CA (US); **Erik Sowder**, Santa Cruz, CA (US)

OTHER PUBLICATIONS

<http://rogueflash.com/products/rogue-flash-gels-combo-filter-kit>
Retrieved Dec. 30, 2015.*
<http://www.rogueflash.com/collections/mainproductpage/products/rogue-flash-gel-bands-5-pack> Retrieved Dec. 30, 2015.*

(73) Assignee: **ExpoImaging, Inc.**, Watsonville, CA (US)

* cited by examiner

(**) Term: **14 Years**

Primary Examiner — Susan Bennett Hattan

Assistant Examiner — Leanne Was

(21) Appl. No.: **29/495,920**

(57) **CLAIM**

We claim the ornamental design for a rubber band device, as shown and described.

(22) Filed: **Jul. 7, 2014**

(51) **LOC (10) Cl.** **16-06**

(52) **U.S. Cl.**
USPC **D16/136**

DESCRIPTION

(58) **Field of Classification Search**
USPC D16/134, 136; 224/250, 251, 674, 676;
248/309.1, 310, 316.3, 346.03, 500;
359/511, 699; 396/420, 422, 423, 544
CPC G03B 17/566; G03B 17/568
See application file for complete search history.

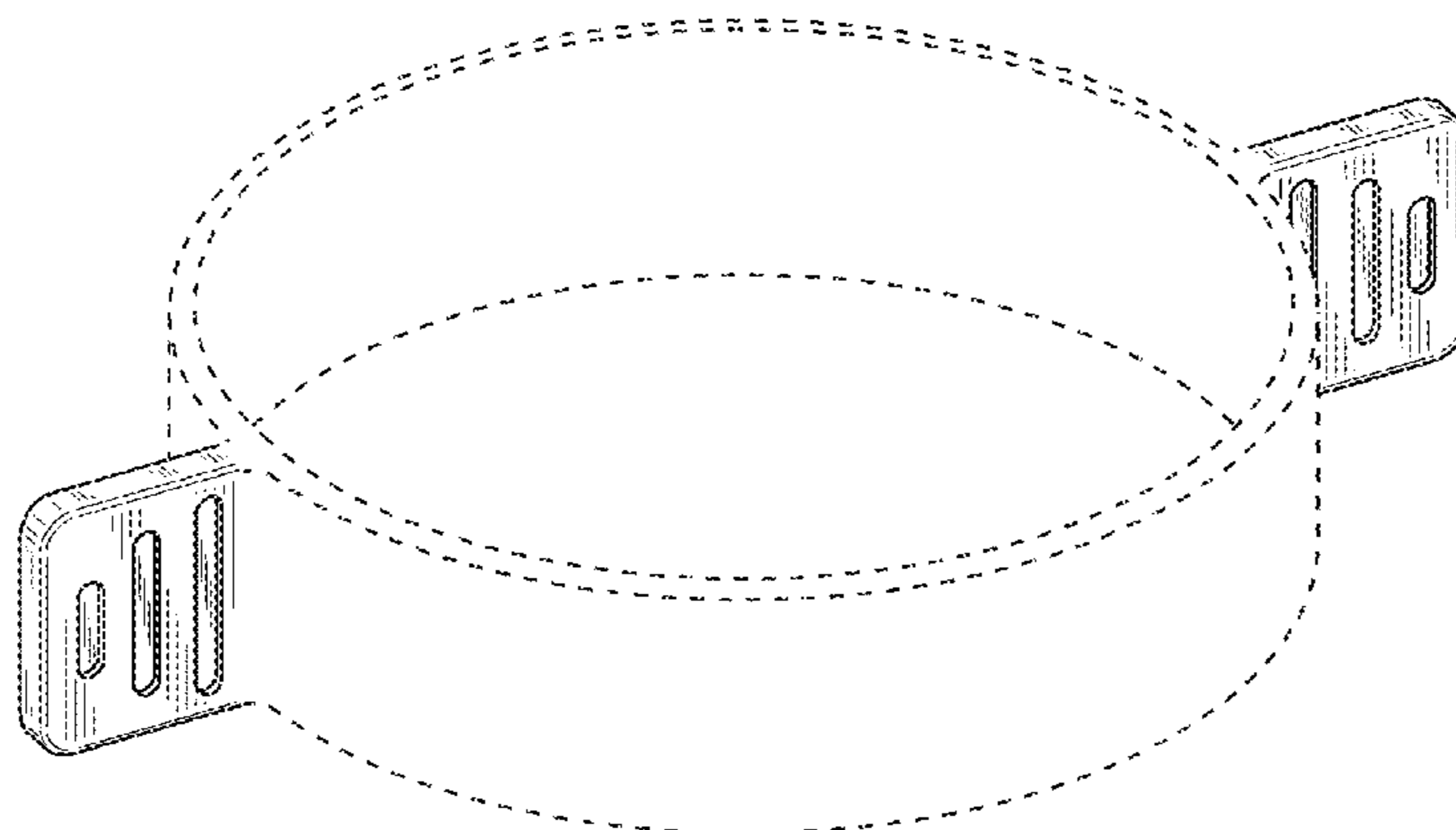
FIG. 1 is a top front right perspective view of a rubber band device, dashed elements are unclaimed;
FIG. 2 is a front elevational view of a rubber band device, dashed elements are unclaimed, the rear elevational view is identical thereto;
FIG. 3 is a top plan view of a rubber band device, dashed elements are unclaimed, the bottom plan view is identical thereto;
FIG. 4 is a right side elevational view of a rubber band device, dashed elements are unclaimed, the left side elevational view is identical thereto;
FIG. 5 is an enlarged partial top front right perspective view of a rubber band device;
FIG. 6 is an enlarged partial front elevational view of a rubber band device;
FIG. 7 is an enlarged partial top plan view of a rubber band device; and,
FIG. 8 is an enlarged partial right side elevational view of a rubber band device.
The dashed lines depict portions of the rubber band device that form no part of the claimed design.

(56) **References Cited**

U.S. PATENT DOCUMENTS

| | | | | | |
|--------------|------|--------|-----------|-------|-------------|
| 4,814,806 | A * | 3/1989 | Flax | | G03B 17/561 |
| | | | | | 224/908 |
| 5,805,944 | A * | 9/1998 | Barclay | | G03B 11/043 |
| | | | | | 359/511 |
| 7,273,321 | B2 * | 9/2007 | Woodman | | A45C 11/38 |
| | | | | | 396/420 |
| 8,385,004 | B2 * | 2/2013 | Hicks | | G03B 41/00 |
| | | | | | 359/699 |
| 8,807,505 | B2 * | 8/2014 | Lotz, III | | A45F 5/00 |
| | | | | | 224/250 |
| 2011/0170854 | A1 * | 7/2011 | Tse, Jr. | | G03B 17/566 |
| | | | | | 396/544 |
| 2013/0028591 | A1 * | 1/2013 | Hicks | | G03B 41/00 |
| | | | | | 396/544 |

1 Claim, 2 Drawing Sheets



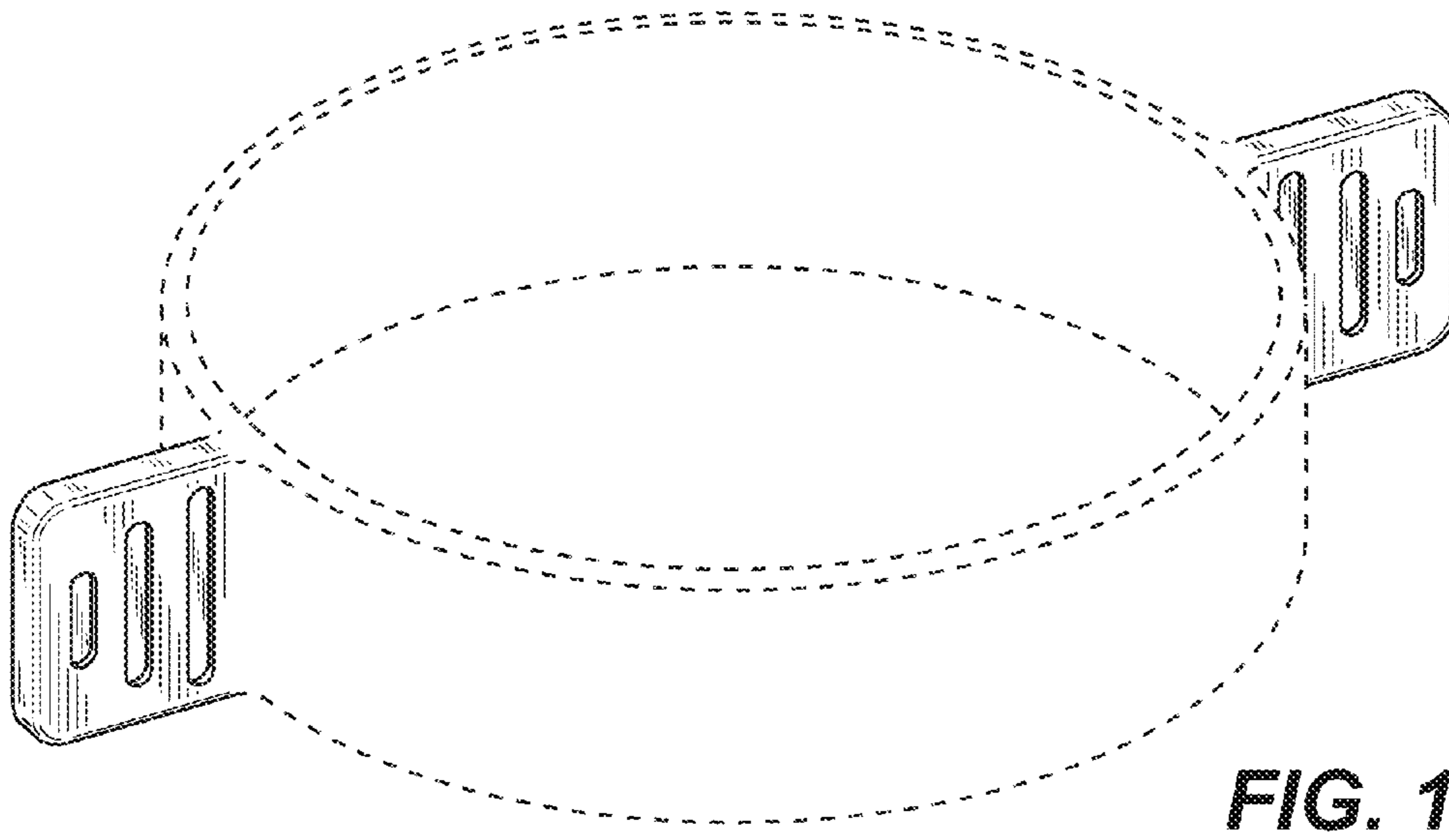


FIG. 1

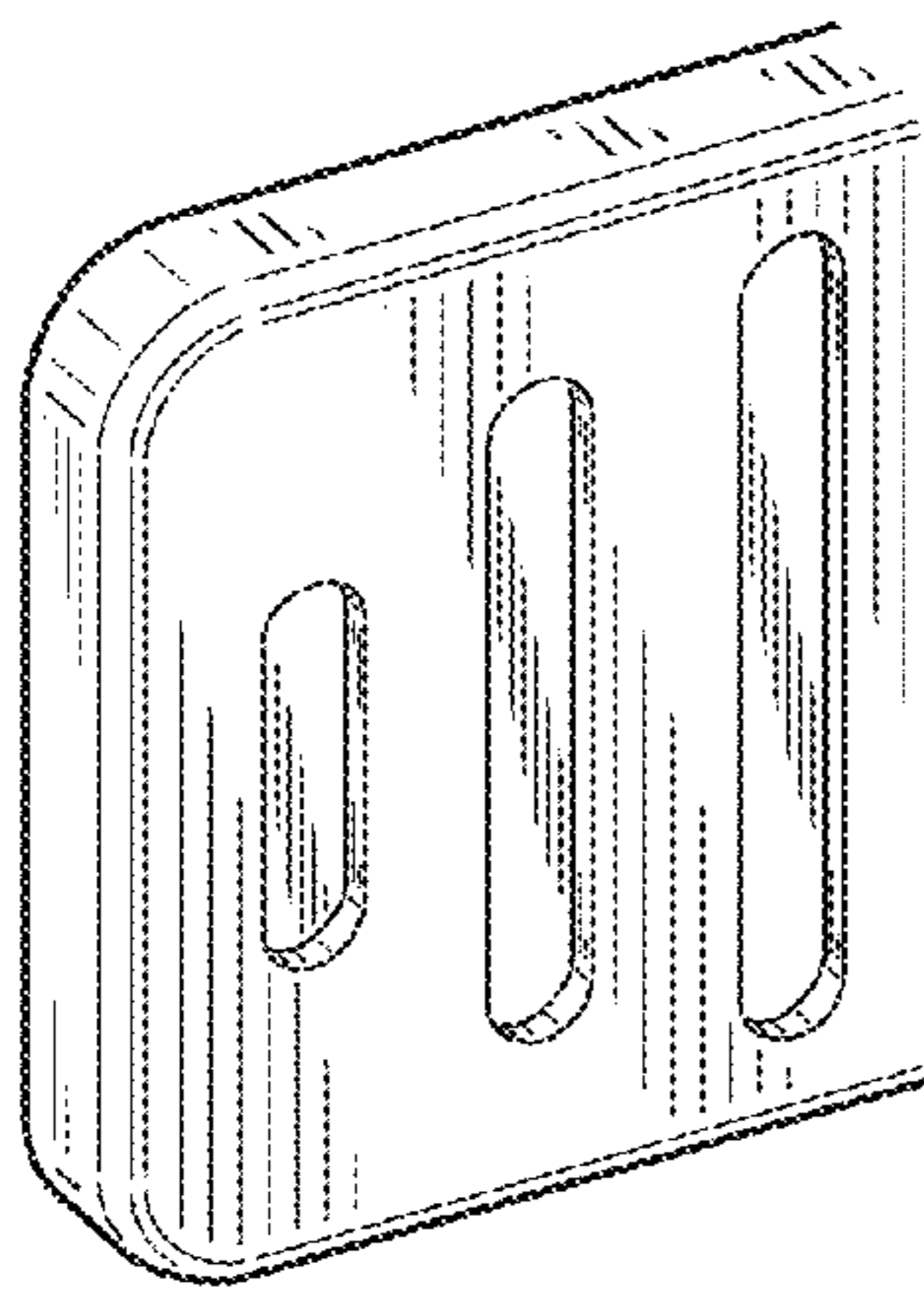


FIG. 5

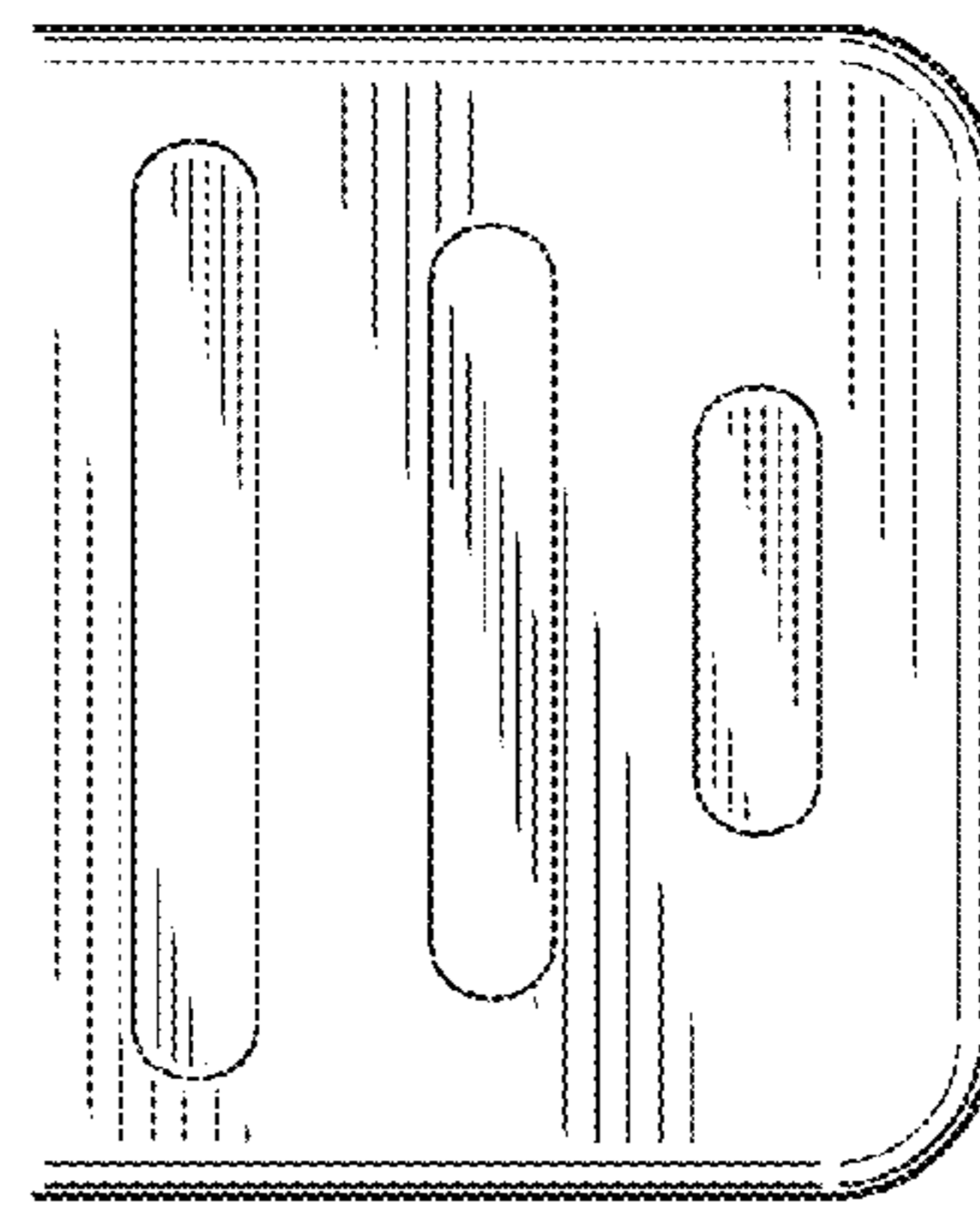


FIG. 6



FIG. 8



FIG. 7

