



US00D759137S

(12) **United States Design Patent**
Hassan

(10) **Patent No.:** **US D759,137 S**
(45) **Date of Patent:** **** Jun. 14, 2016**

(54) **CONSUMABLES ADAPTER FOR A WELDING TORCH**

(71) Applicant: **Victor Equipment Company**, Denton, TX (US)

(72) Inventor: **Khalid Hassan**, Denton, TX (US)

(73) Assignee: **Victor Equipment Company**, Denton, TX (US)

(**) Term: **14 Years**

(21) Appl. No.: **29/506,293**

(22) Filed: **Oct. 14, 2014**

(51) **LOC (10) Cl.** **15-09**

(52) **U.S. Cl.**
USPC **D15/144**

(58) **Field of Classification Search**
USPC D15/138-144.2, 21, 123; 299/104-111;
241/207; 219/137.31, 137.42-137.44,
219/137.61-137.63, 74, 75; D8/70;
D23/223; 239/419, 424.5, 549
See application file for complete search history.

(56) **References Cited**

U.S. PATENT DOCUMENTS

D30,485 S *	4/1899	Prentiss	D15/139
2,714,932 A *	8/1955	Thompson	166/216
4,208,154 A *	6/1980	Gundy	D15/139
D330,207 S *	10/1992	Andrews	D15/140
D356,320 S *	3/1995	Catalanotti et al.	D15/135
5,556,550 A *	9/1996	Fyffe	219/75
D446,530 S *	8/2001	Kuraoka et al.	D15/144
6,355,901 B1 *	3/2002	Nippert	219/119
D516,104 S *	2/2006	Brady	D15/139
D539,315 S *	3/2007	Zweben	D15/139
7,546,759 B1 *	6/2009	Gruenfelder et al.	73/40

D682,391 S *	5/2013	Kah et al.	D23/214
D684,612 S *	6/2013	Frazier	D15/139
D703,713 S *	4/2014	Frazier	D15/139
D722,091 S *	2/2015	Tokura	D15/140
D733,776 S *	7/2015	Buttiker	D15/144
2002/0162826 A1 *	11/2002	Eickhoff et al.	219/75
2006/0180219 A1 *	8/2006	Jeong	137/798
2013/0193117 A1 *	8/2013	Wada et al.	219/75
2015/0048057 A1 *	2/2015	Wada	219/75

* cited by examiner

Primary Examiner — Susan Bennett Hattan

Assistant Examiner — Brett Miller

(74) *Attorney, Agent, or Firm* — Kacvinsky Daisak Bluni PLLC

(57) **CLAIM**

The ornamental design for a consumables adapter for a welding torch, as shown and described.

DESCRIPTION

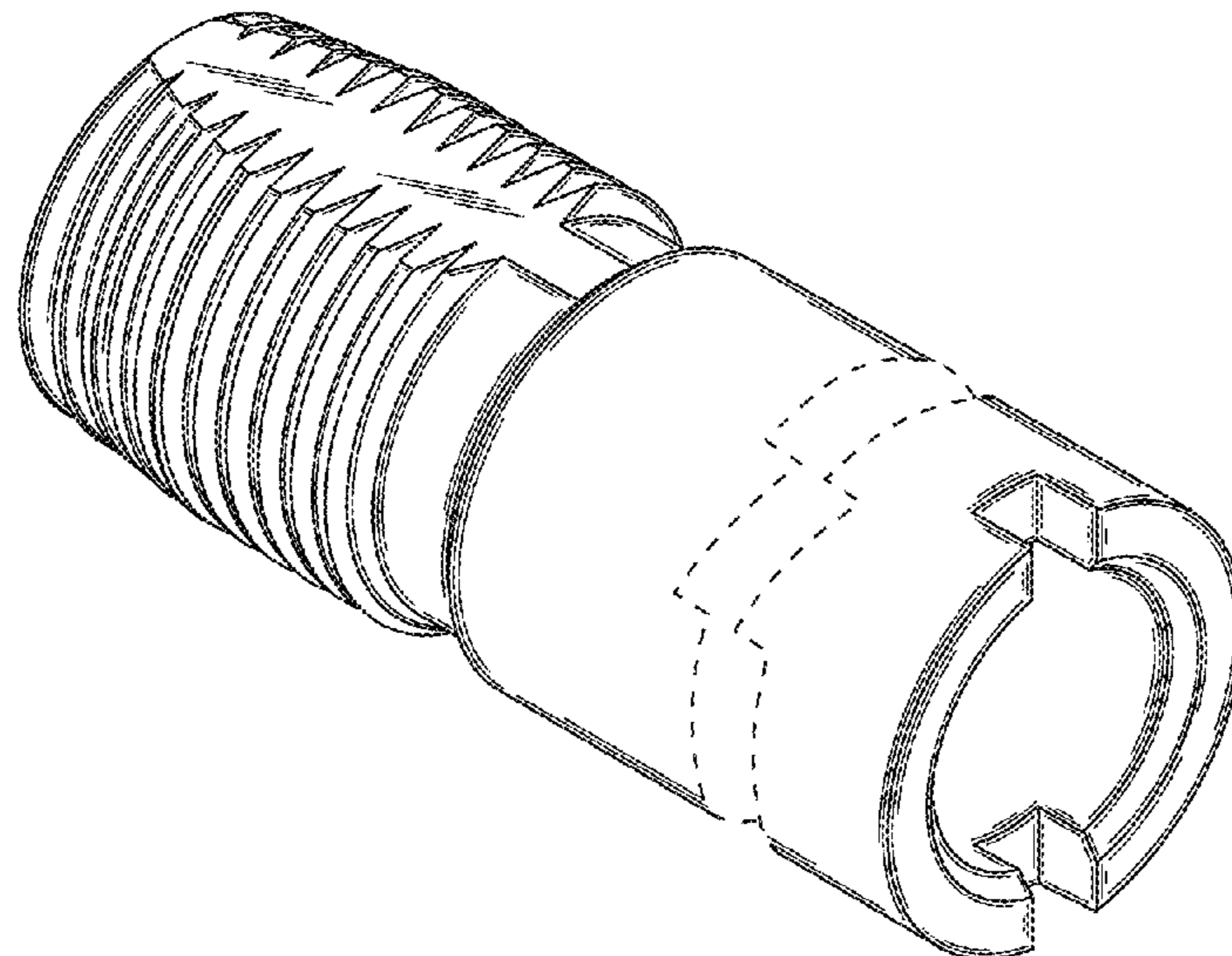
FIG. 1 is a first perspective view of the consumables adapter for a welding torch;
FIG. 2 is a second perspective view thereof;
FIG. 3 is a side view thereof;
FIG. 4 is another side view thereof;
FIG. 5 is a top view thereof;
FIG. 6 is a bottom view thereof;
FIG. 7 is a rear view thereof; and,
FIG. 8 is a front view thereof.

The design is shown with symbolic break lines. The appearance of any portion of the article between the break lines forms no part of the claimed design.

The shade lines on the surface portions indicate contour and not surface decoration.

The broken lines in the drawing depict symbolic break lines and form no part of the claimed design.

1 Claim, 8 Drawing Sheets



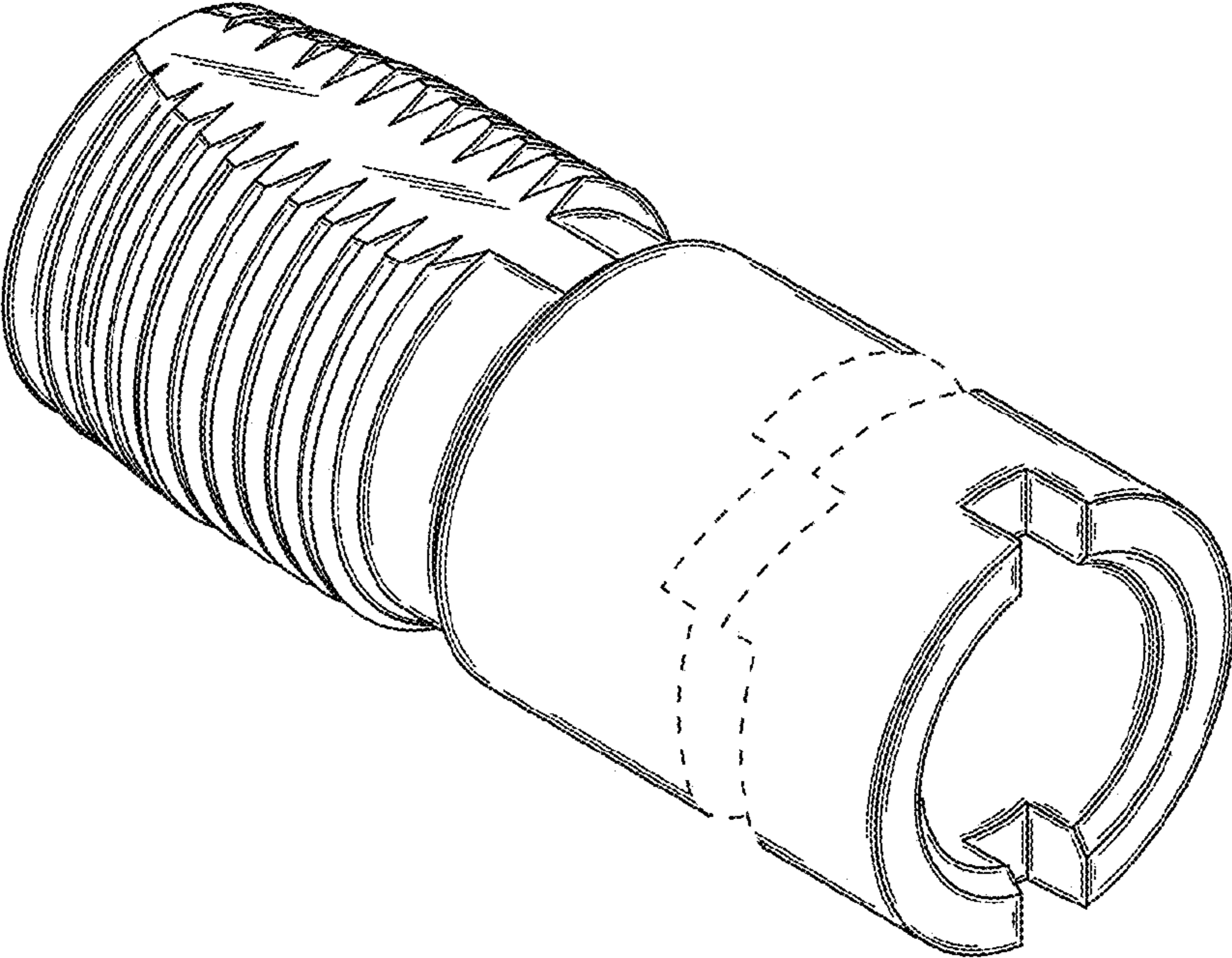


FIG. 1

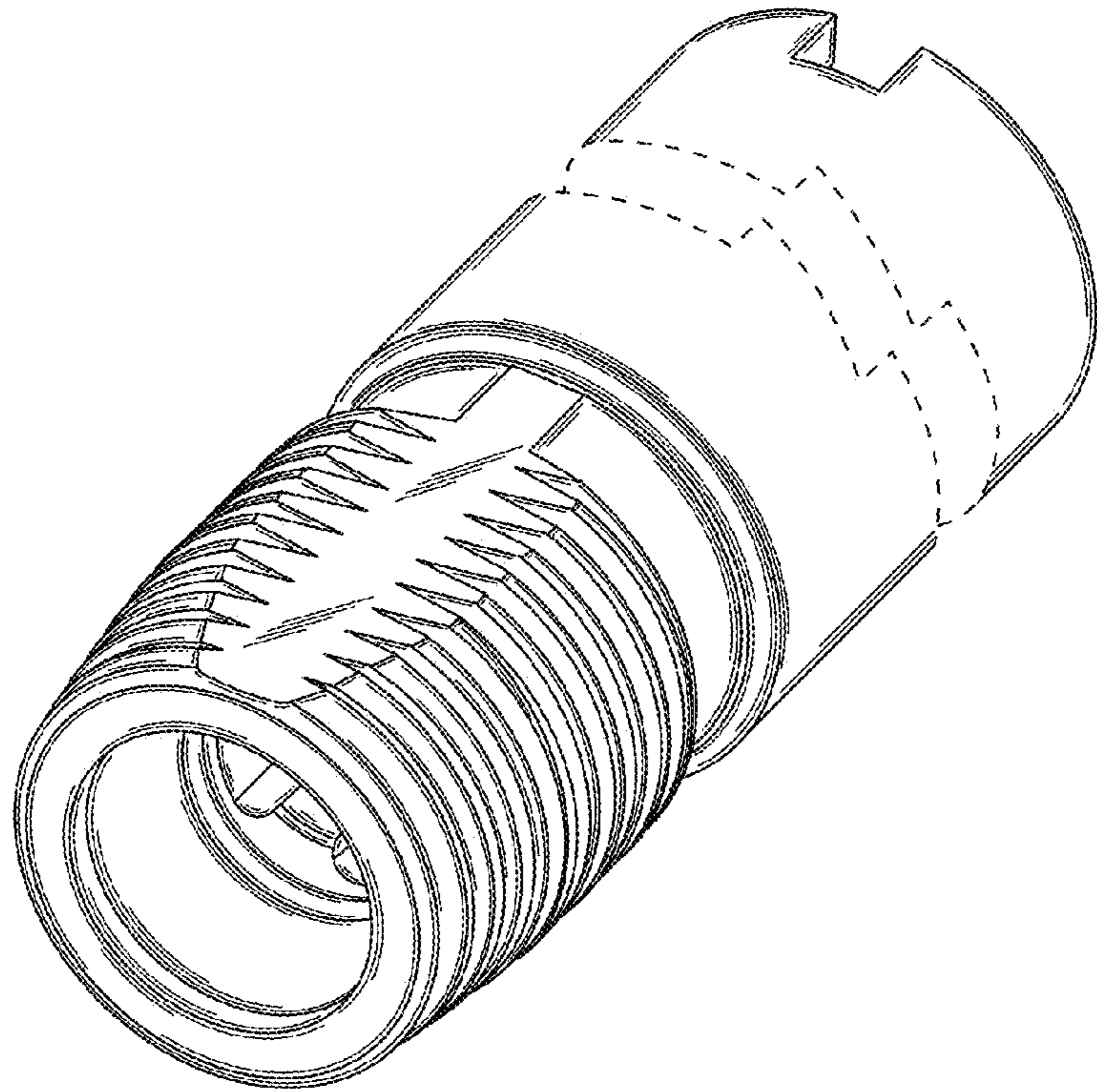


FIG. 2

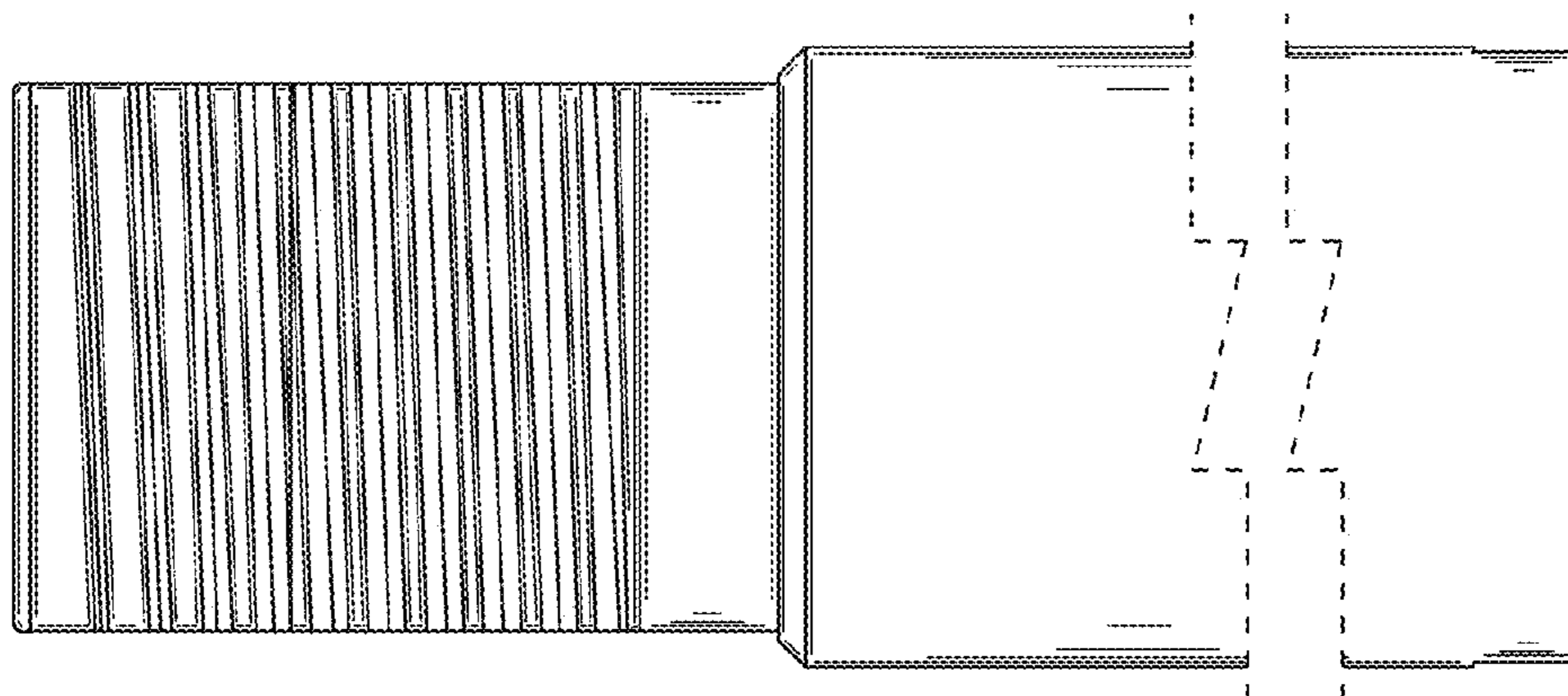


FIG. 3

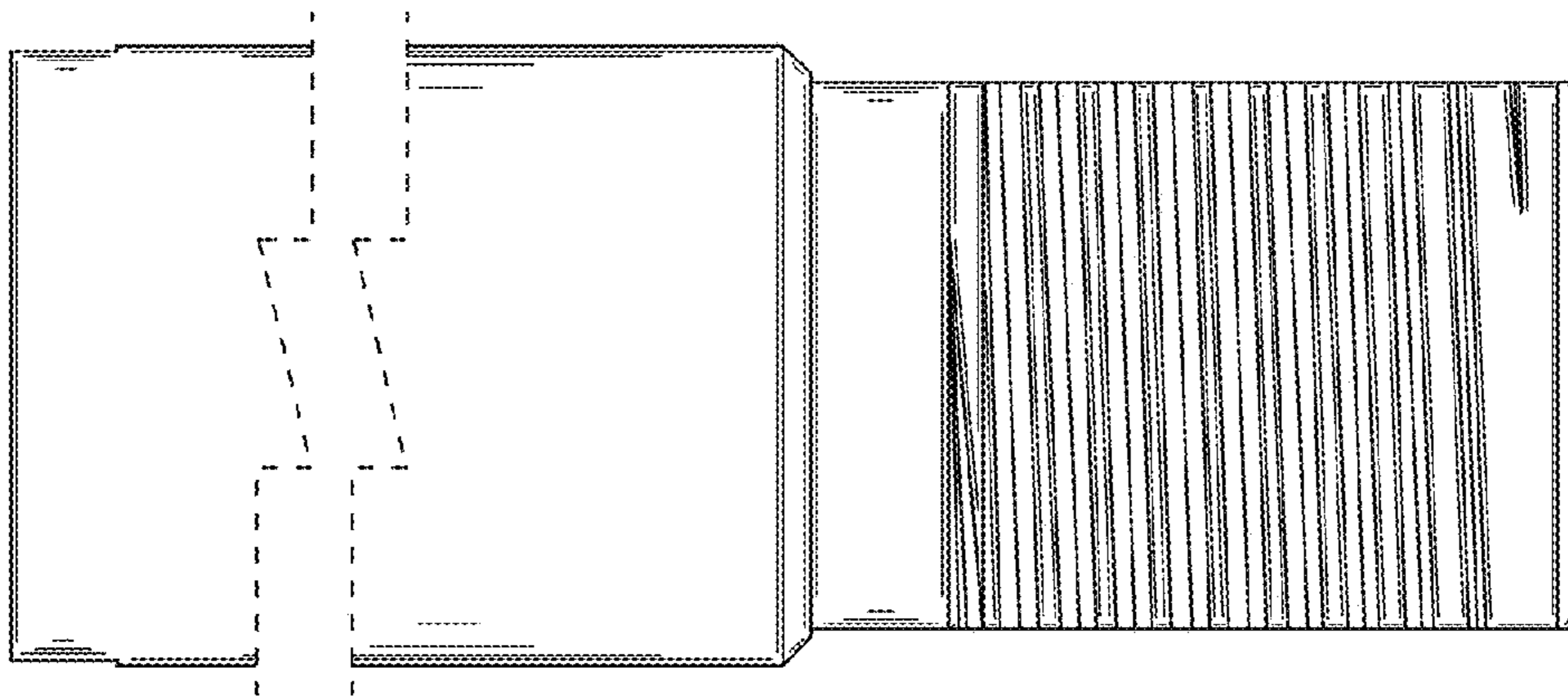


FIG. 4

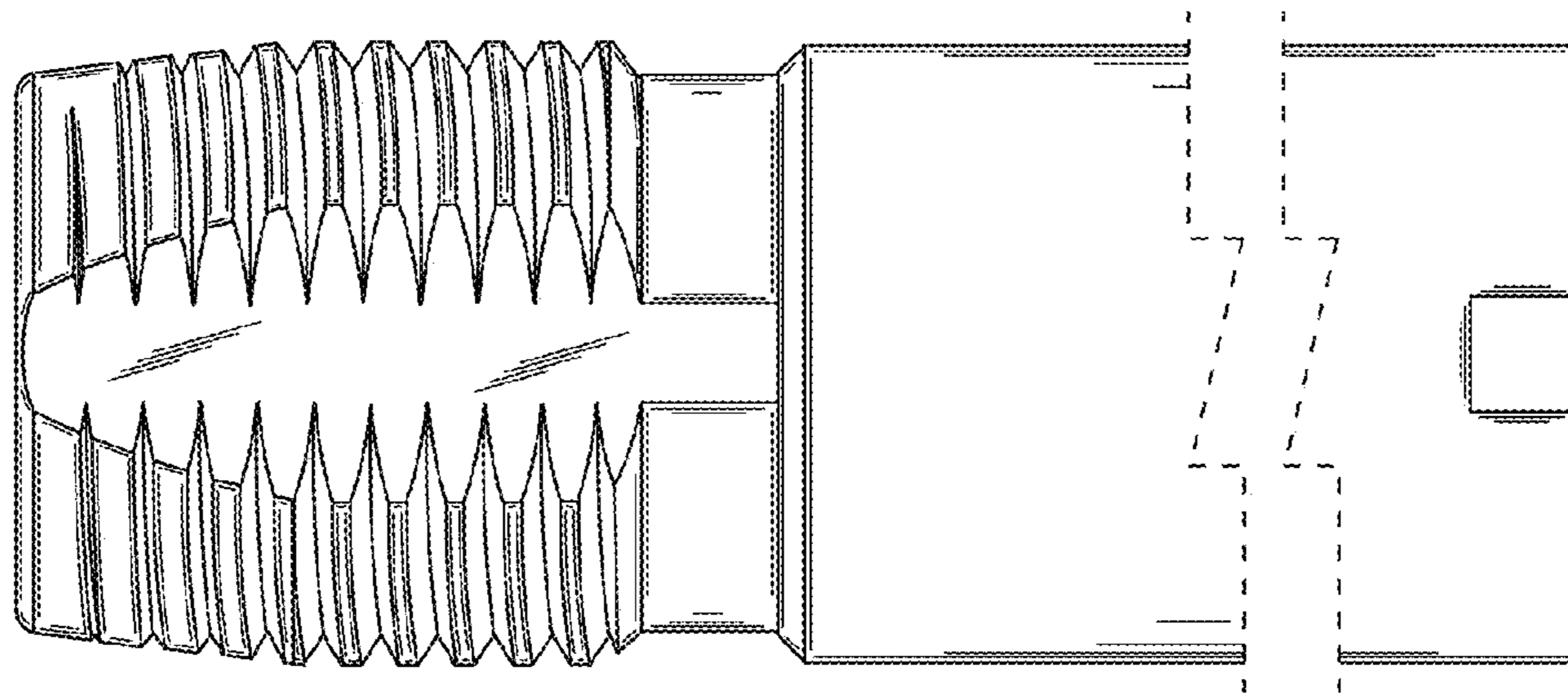


FIG. 5

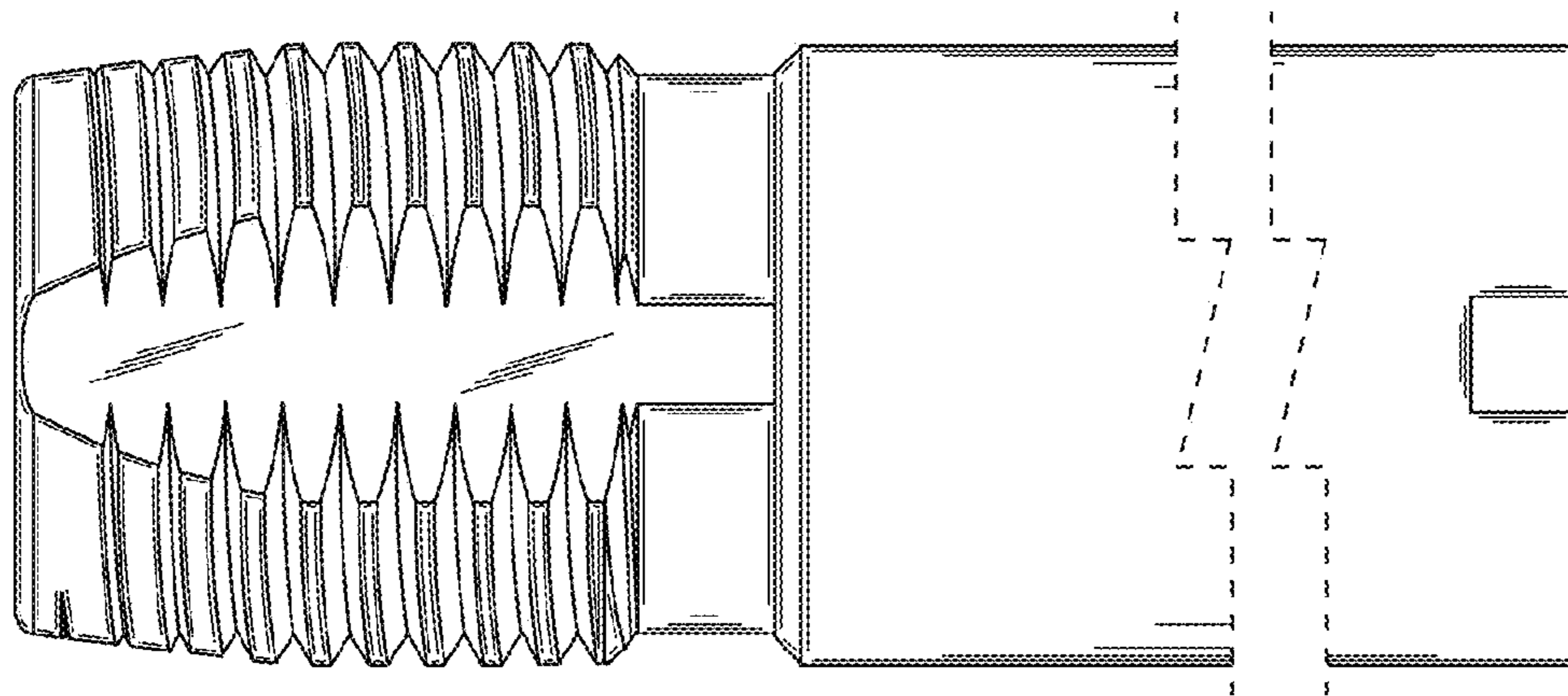


FIG. 6

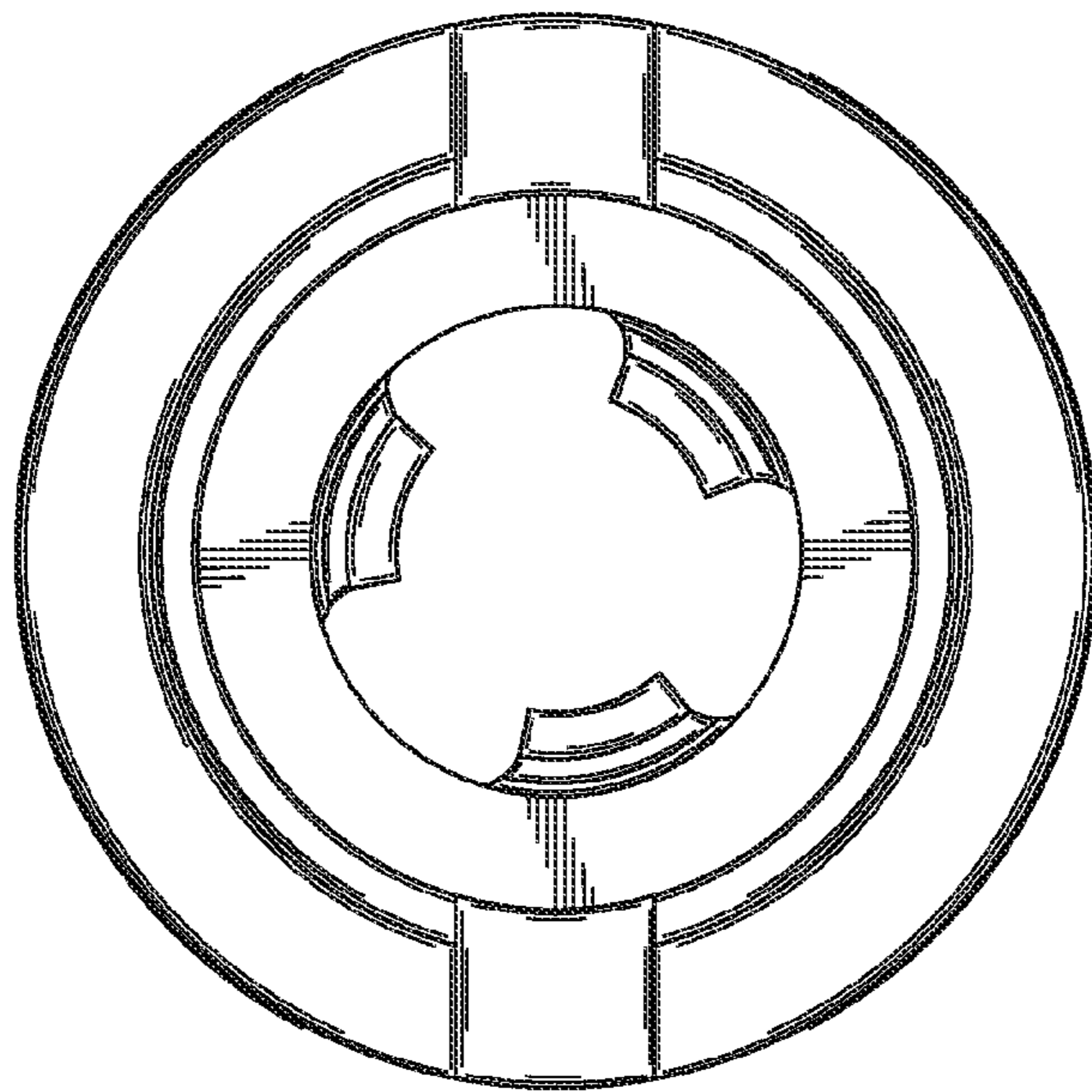


FIG. 7

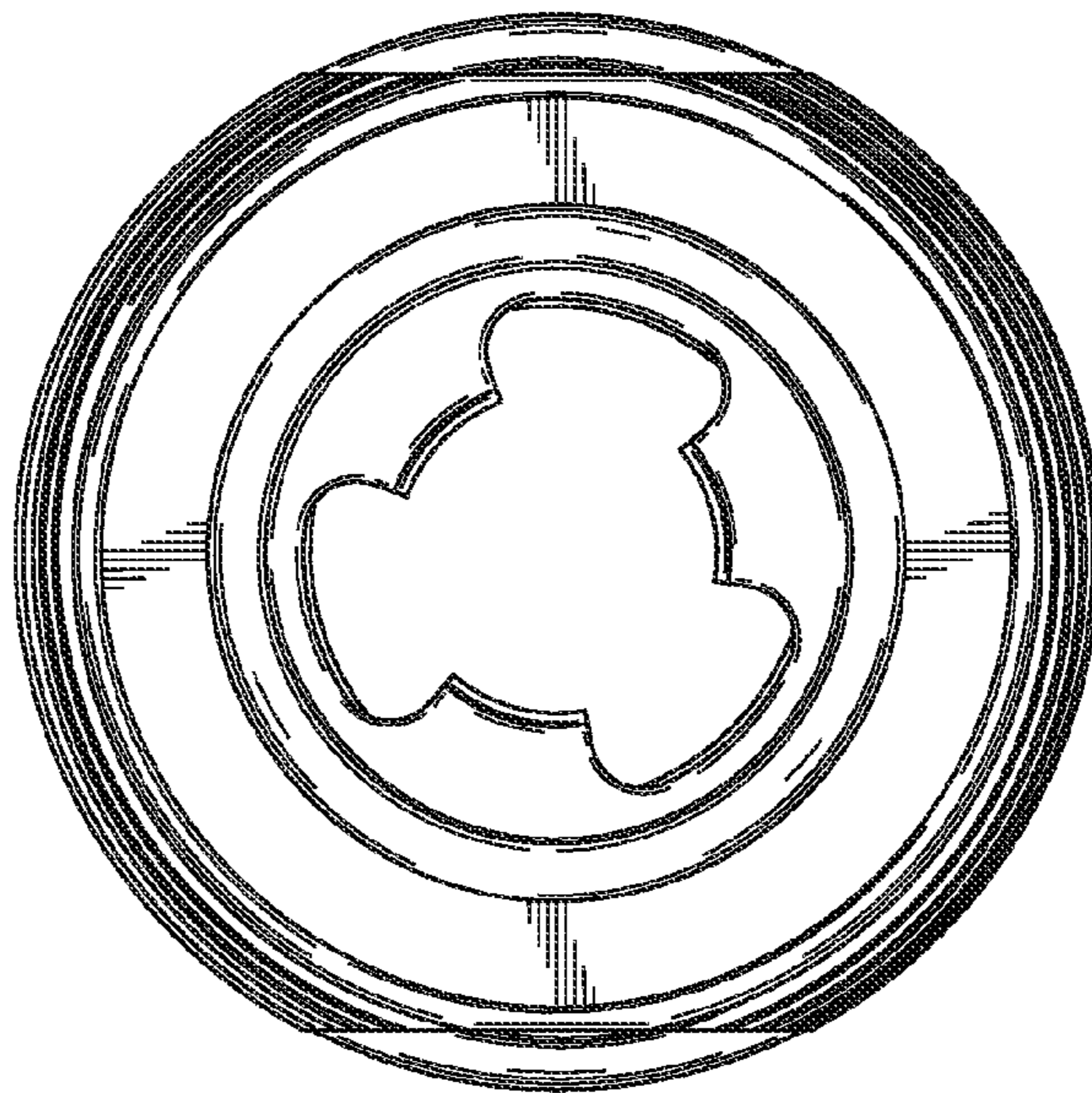


FIG. 8