



US00D759134S

(12) **United States Design Patent**
Goldhagen et al.

(10) **Patent No.:** **US D759,134 S**
(45) **Date of Patent:** **** Jun. 14, 2016**

(54) **BLASTING DEVICE**
(71) Applicant: **Renfert GmbH**, Hilzingen (DE)
(72) Inventors: **Sven Goldhagen**, Baden-Wuerttemberg (DE); **Eckhard Ruoff**, Baden-Wuerttemberg (DE)
(73) Assignee: **Renfert GmbH**, Hilzingen (DE)

(**) Term: **15 Years**

(21) Appl. No.: **29/528,078**

(22) Filed: **May 26, 2015**

(30) **Foreign Application Priority Data**

Nov. 26, 2014 (EM) 002585679

(51) **LOC (10) Cl.** **15-09**

(52) **U.S. Cl.**
USPC **D15/126; D15/122**

(58) **Field of Classification Search**
USPC **D15/122, 124, 126**
See application file for complete search history.

(56) **References Cited**

U.S. PATENT DOCUMENTS

3,516,205 A * 6/1970 Thomson 451/87
D246,108 S * 10/1977 Ashworth D15/124

D250,196 S * 11/1978 Caccioli et al. D15/124
4,300,318 A * 11/1981 Brown 451/88
D323,661 S * 2/1992 Zwicker D15/124
5,295,333 A * 3/1994 Puschner 451/100
6,099,395 A * 8/2000 Guseman 451/75
D534,557 S * 1/2007 Storer et al. D15/124
D729,290 S * 5/2015 Yamada et al. D15/122
2003/0124955 A1 * 7/2003 Hanson 451/2
2004/0092216 A1 * 5/2004 Publ et al. 451/87
2008/0315738 A1 * 12/2008 Tan 312/258

* cited by examiner

Primary Examiner — Patricia Palasik

(74) *Attorney, Agent, or Firm* — Posz Law Group, PLC

(57) **CLAIM**

The ornamental design for a blasting device, as shown and described.

DESCRIPTION

FIG. 1 is a perspective view of top, front, and left side of a blasting device showing our new design; the top, front and right side perspective view being substantially a mirror image thereof;

FIG. 2 is a front view thereof;

FIG. 3 is a rear view thereof;

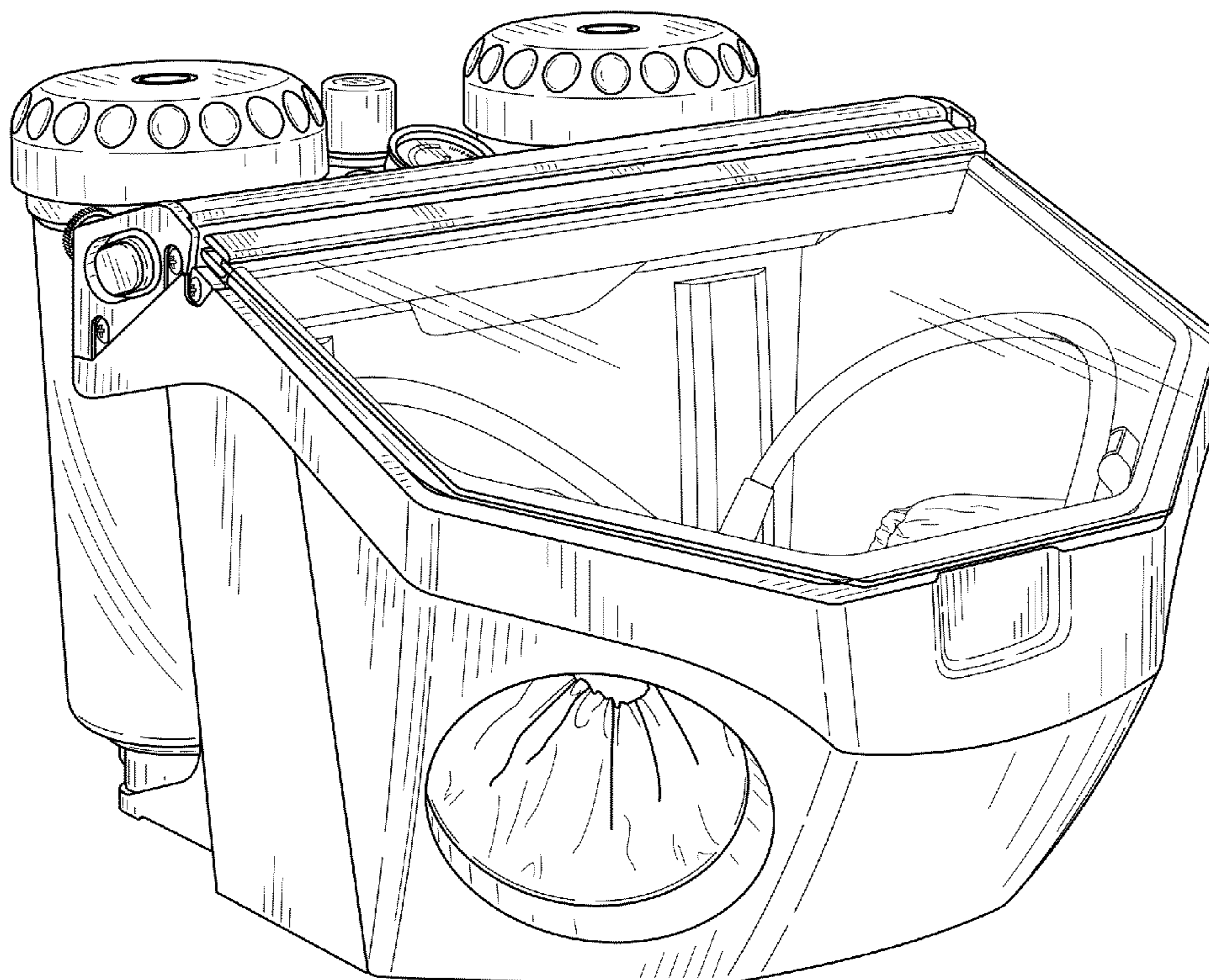
FIG. 4 is a right side view thereof;

FIG. 5 is a left side view thereof;

FIG. 6 is a top plan view thereof; and,

FIG. 7 is a bottom view thereof.

1 Claim, 7 Drawing Sheets



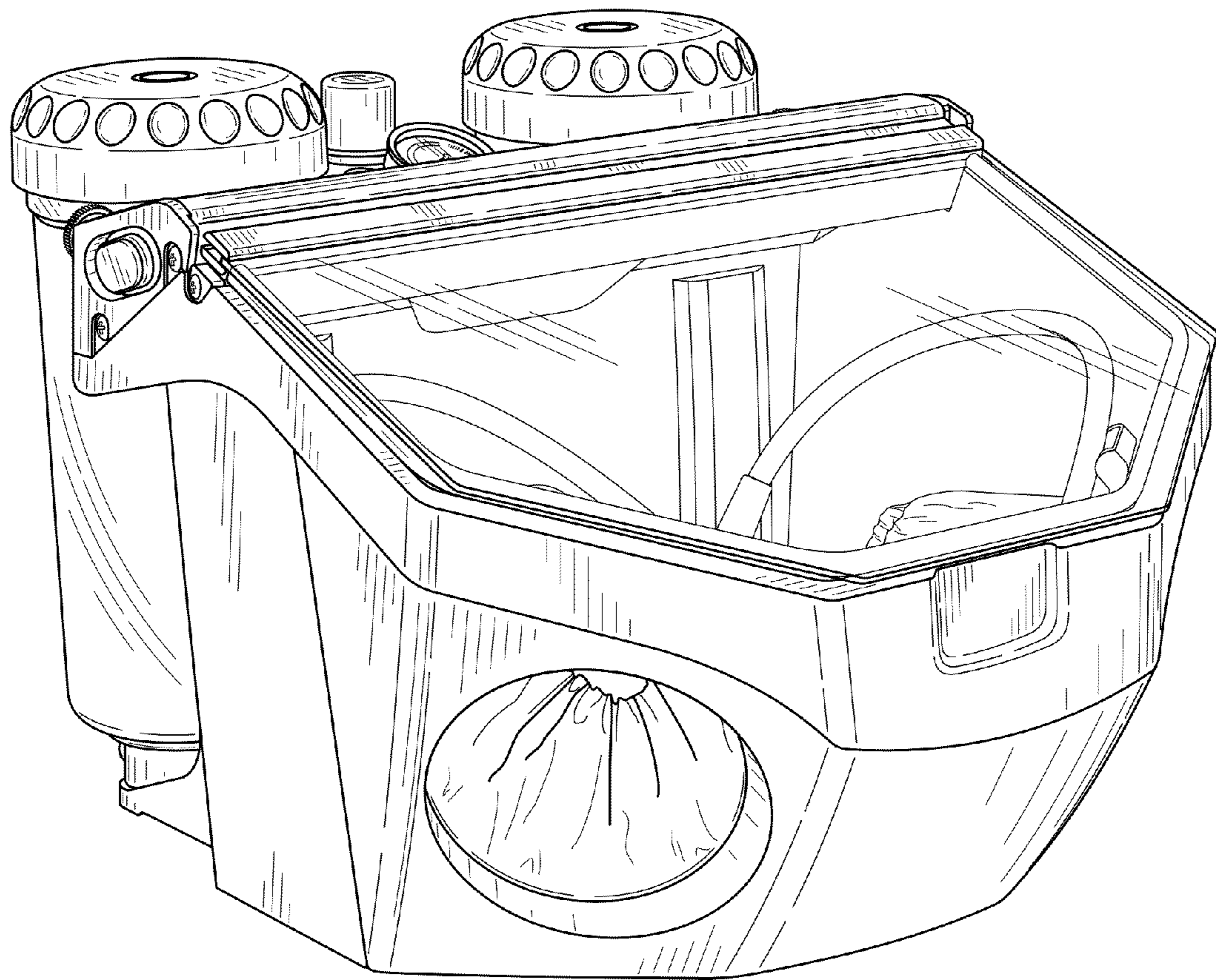


FIG. 1

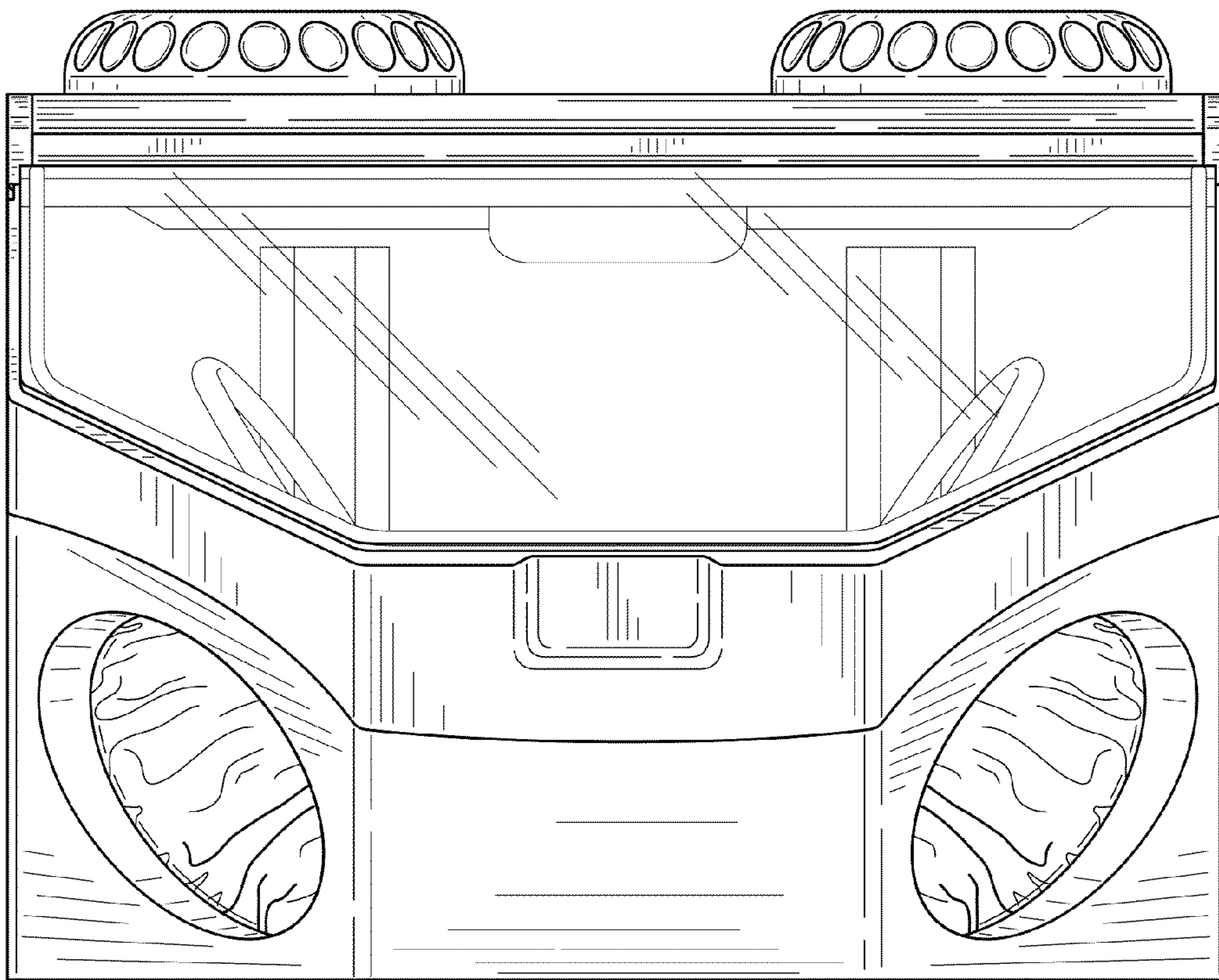


FIG. 2

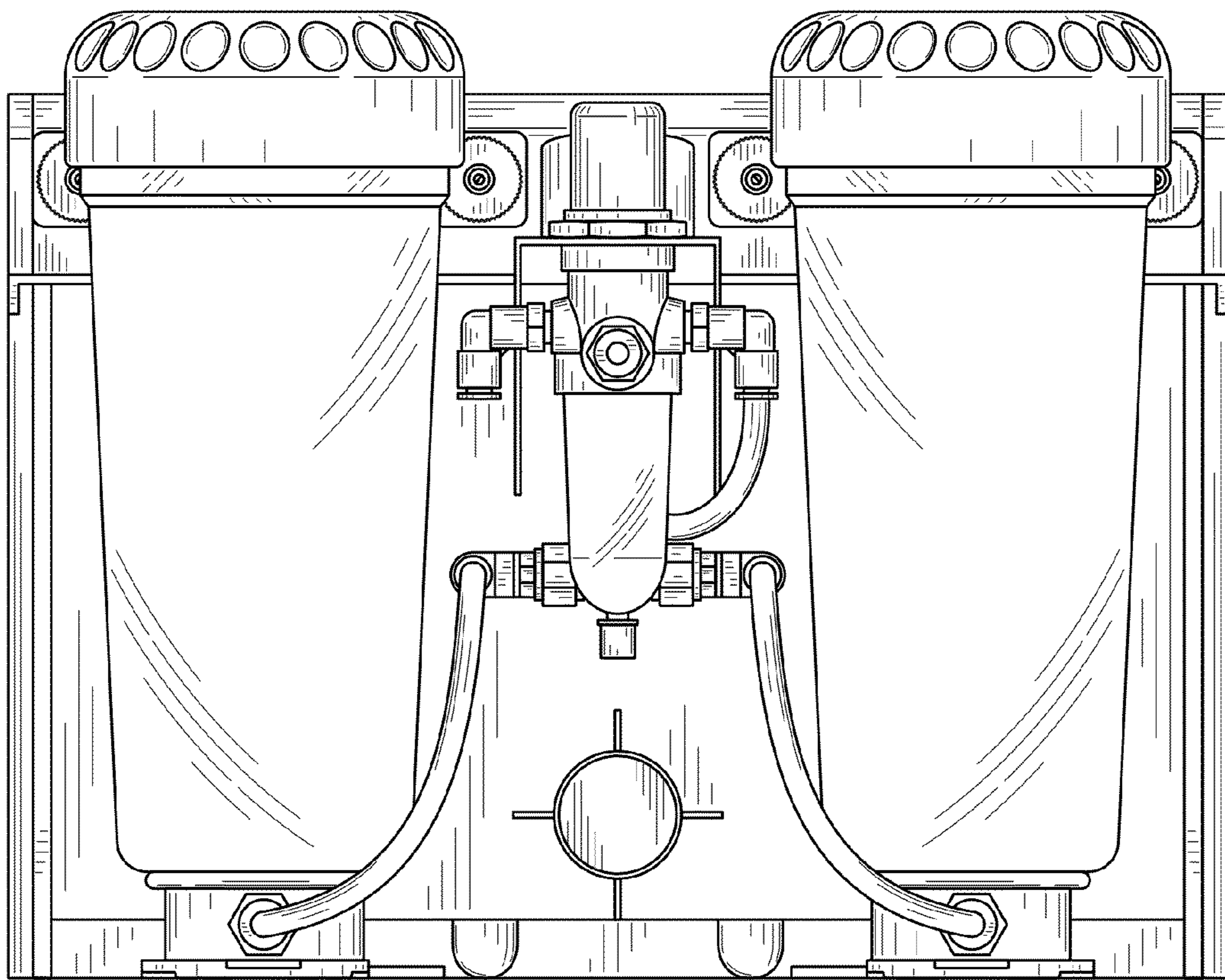


FIG. 3

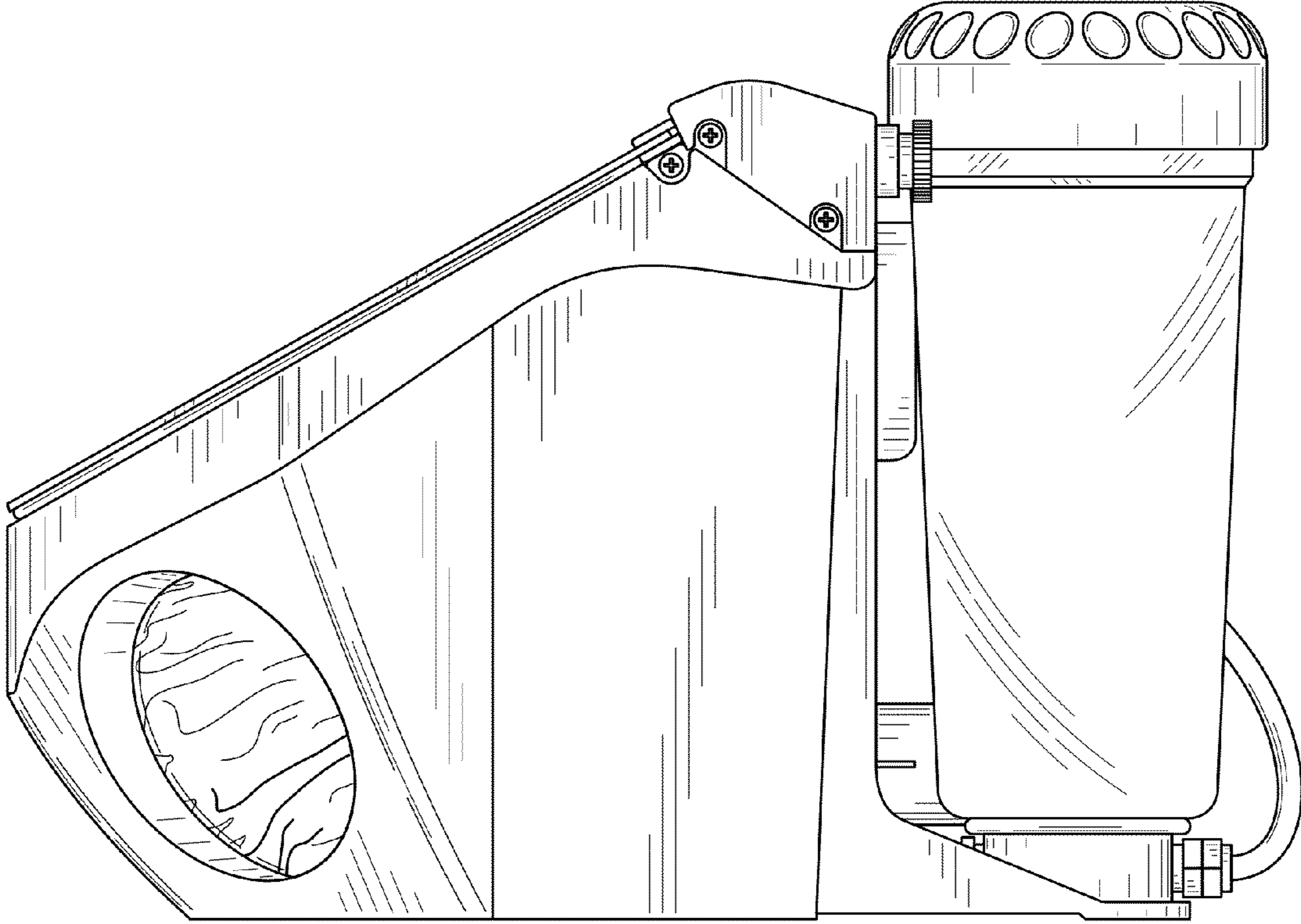


FIG. 4

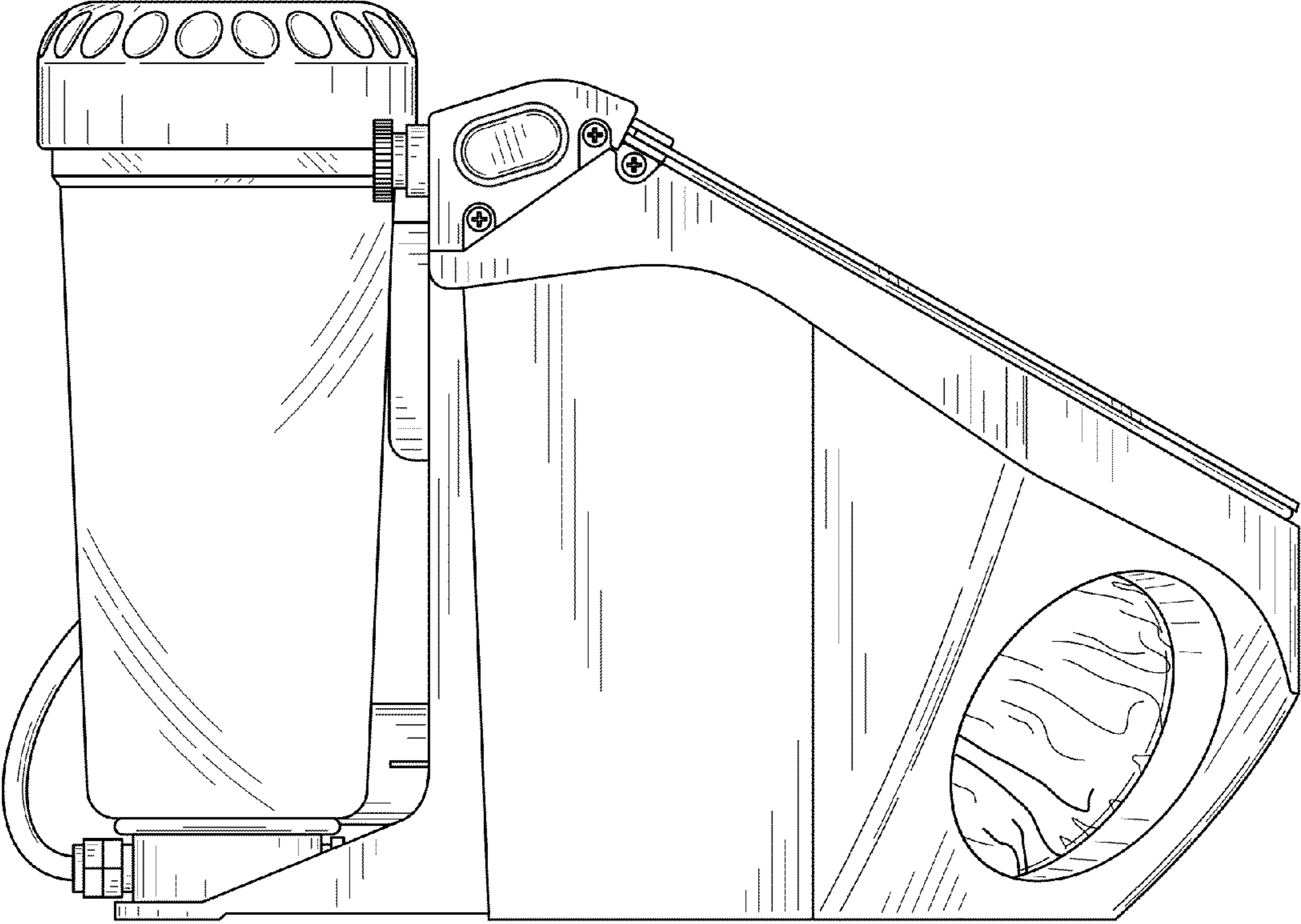


FIG. 5

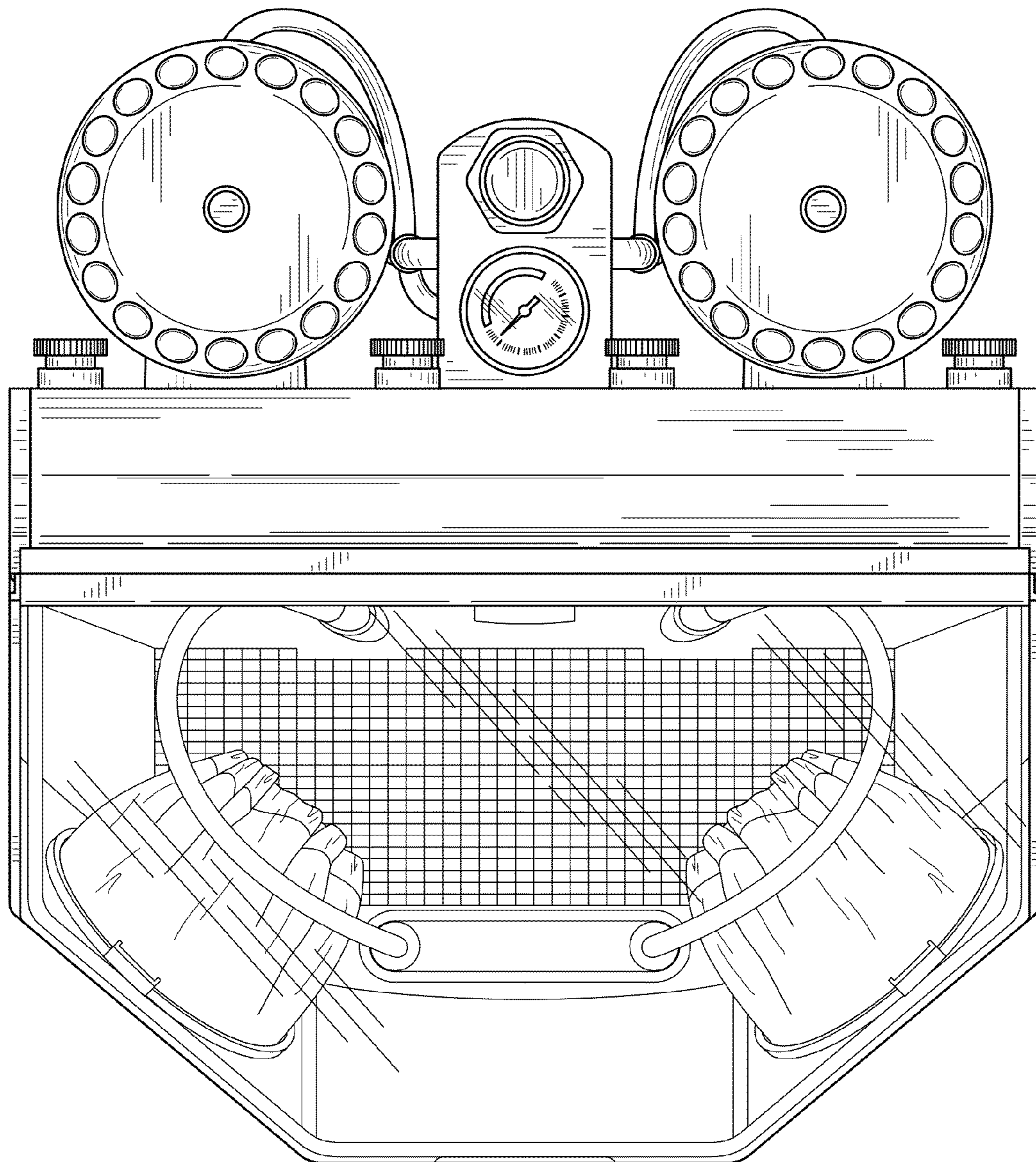


FIG. 6

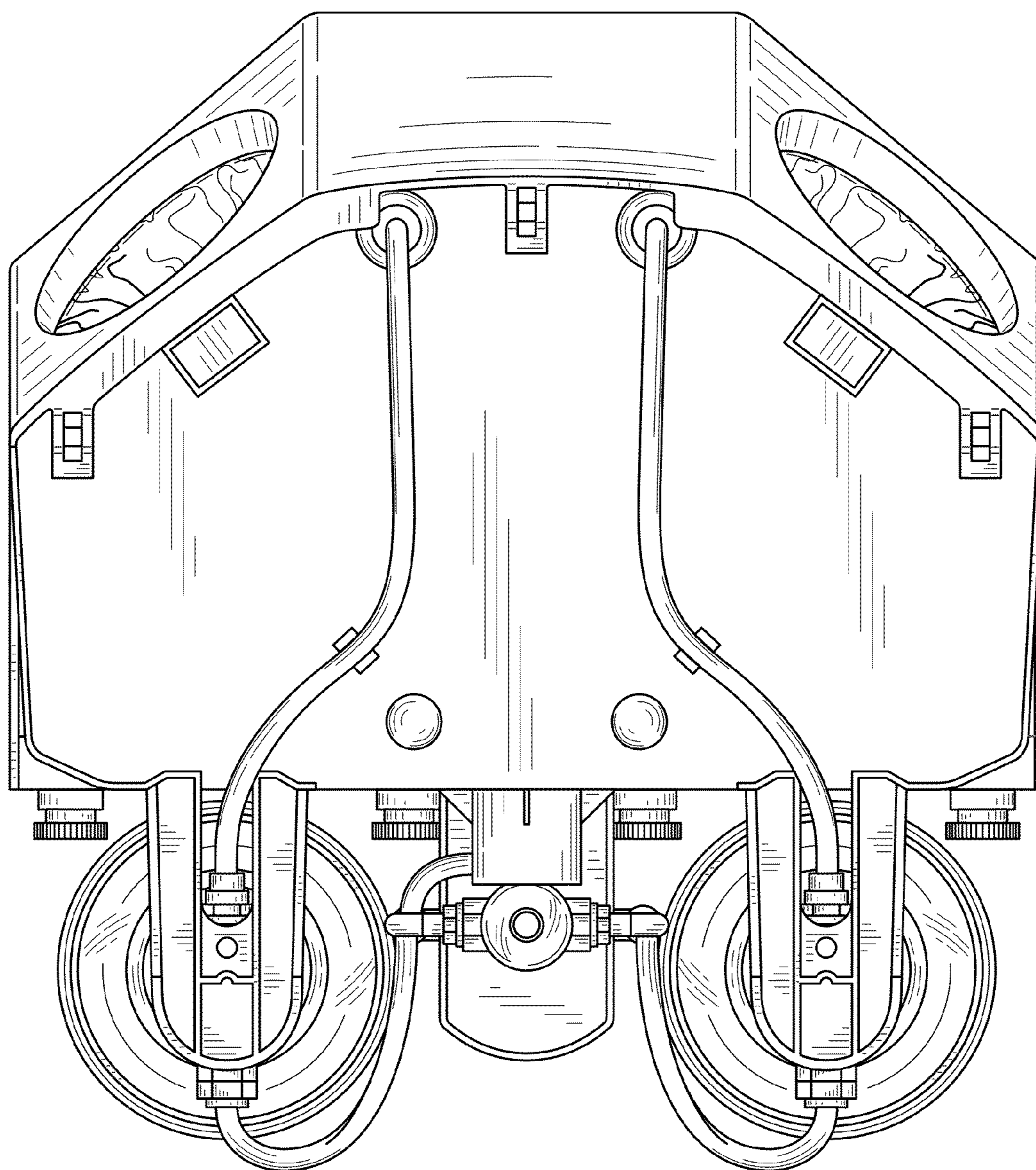


FIG. 7