



US00D759133S

(12) **United States Design Patent**
Kitamura

(10) **Patent No.:** **US D759,133 S**

(45) **Date of Patent:** **** Jun. 14, 2016**

(54) **MACHINING CENTER**

6,892,613 B2 * 5/2005 Nakaminami B23Q 1/015
82/124

(71) Applicant: **Akihiro Kitamura**, Takaoka (JP)

(Continued)

(72) Inventor: **Akihiro Kitamura**, Takaoka (JP)

Primary Examiner — Patricia Palasik

(74) *Attorney, Agent, or Firm* — Manabu Kanesaka

(73) Assignee: **KITAMURA MACHINERY CO., LTD.**, Takaoka-Shi, Toyama (JP)

(57) **CLAIM**

The ornamental design for a machining center, as shown and described.

(**) Term: **14 Years**

DESCRIPTION

(21) Appl. No.: **29/518,821**

(22) Filed: **Feb. 27, 2015**

(30) **Foreign Application Priority Data**

Aug. 27, 2014 (JP) 2014-018776

(51) **LOC (10) Cl.** **15-09**

(52) **U.S. Cl.**
USPC **D15/122**

(58) **Field of Classification Search**
USPC D15/122, 145, 146
See application file for complete search history.

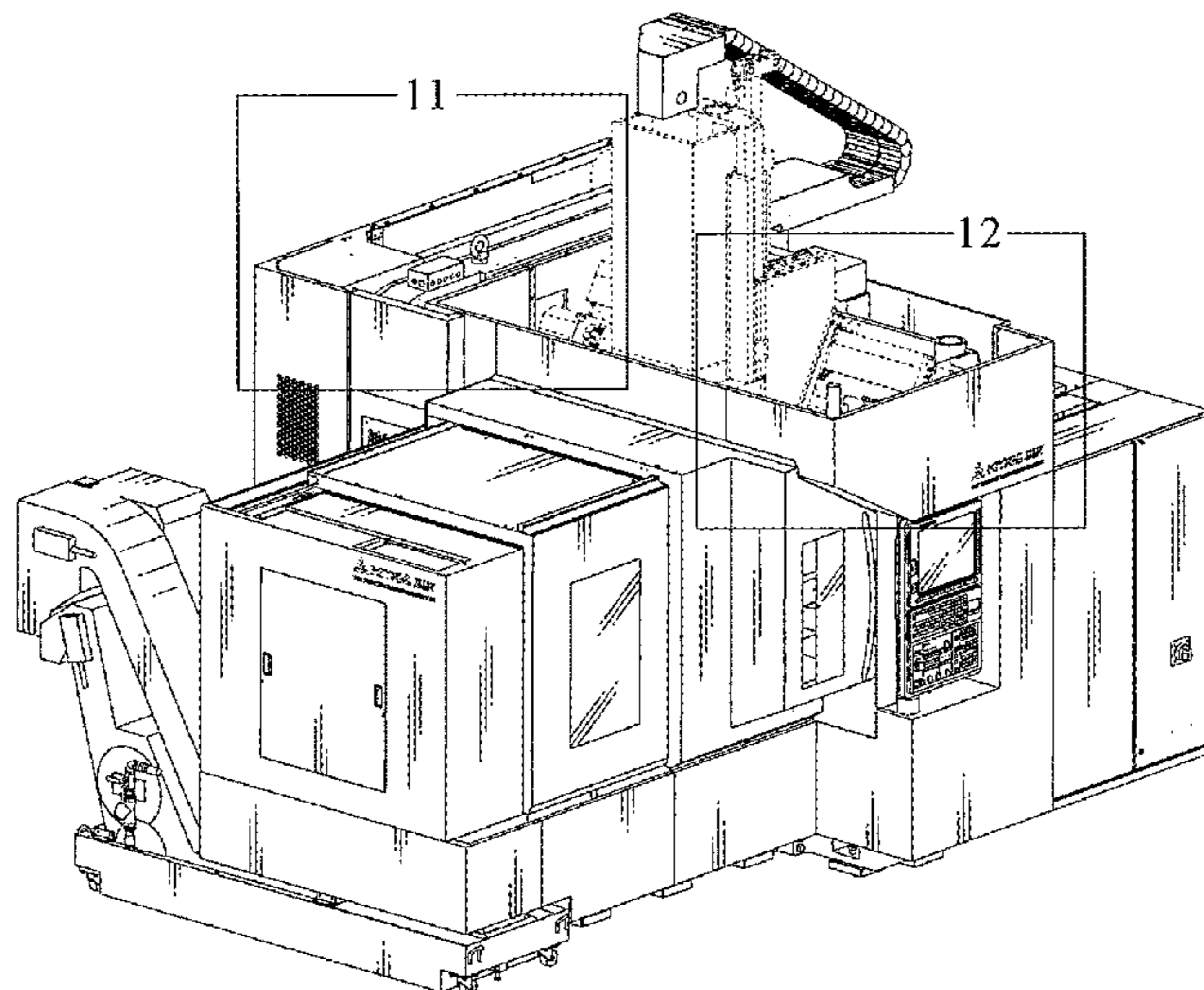
(56) **References Cited**

U.S. PATENT DOCUMENTS

D277,679	S *	2/1985	Kitamura	D15/122
D302,164	S *	7/1989	Itoh	D15/122
D306,865	S *	3/1990	Brown	D15/122
D319,834	S *	9/1991	Rutschle	D15/131
5,542,899	A *	8/1996	Yamada	B23Q 3/15526 483/32
D388,103	S *	12/1997	Gotou	D15/122
D420,686	S *	2/2000	Kunema	D15/127
D427,614	S *	7/2000	Miyake	D15/127
D445,807	S *	7/2001	Baulk	D15/127
6,609,448	B2 *	8/2003	Nakaminami	B23B 3/167 82/120
6,674,040	B2 *	1/2004	Wehrli	B23H 7/02 204/224 M

FIG. 1 is a front right-side perspective view of a machining center showing my new design;
 FIG. 2 is a front left-side perspective view thereof;
 FIG. 3 is a front view thereof;
 FIG. 4 is a back view thereof;
 FIG. 5 is a left side view thereof;
 FIG. 6 is a right side view thereof;
 FIG. 7 is a plan view thereof;
 FIG. 8 is a front left-side perspective view of a state that the window is opened thereof;
 FIG. 9 is a front right-side perspective view of a state that the window is opened thereof;
 FIG. 10 is a plan view of state that the window is opened;
 FIG. 11 is an enlarged perspective view of a portion shown in FIG. 1;
 FIG. 12 is an enlarged perspective view of a portion shown in FIG. 1;
 FIG. 13 is an enlarged perspective view of a portion shown in FIG. 2;
 FIG. 14 is an enlarged perspective view of a portion shown in FIG. 2;
 FIG. 15 is an enlarged perspective view of a portion shown in FIG. 8;
 FIG. 16 is an enlarged perspective view of a portion shown in FIG. 8;
 FIG. 17 is an enlarged perspective view of a portion shown in FIG. 9; and,
 FIG. 18 is an enlarged perspective view of a portion shown in FIG. 9.
 The broken lines in the drawings depict unclaimed environmental subject matter.

1 Claim, 18 Drawing Sheets



(56)

References Cited

U.S. PATENT DOCUMENTS

7,150,706 B2 *	12/2006	Grob	B23Q 1/4857 29/33 P	7,954,216 B2 *	6/2011	Sturm	B23B 39/16 144/35.1
D548,754 S *	8/2007	Itabashi	D15/122	D654,099 S *	2/2012	Schindler	D15/122
D548,755 S *	8/2007	Takeshima	D15/122	D667,030 S *	9/2012	Hiroshima	D15/122
D559,871 S *	1/2008	Kittaka	D15/122	D667,032 S *	9/2012	Egami	D15/122
D567,263 S *	4/2008	Sugihara	D15/122	D680,563 S *	4/2013	Yang	D15/122
D578,144 S *	10/2008	Arisue	D15/122	D690,331 S *	9/2013	Kitamura	D15/122
D635,595 S *	4/2011	Hiroshima	D15/122	D690,744 S *	10/2013	Koide	D15/122
D635,596 S *	4/2011	Hiroshima	D15/122	D690,745 S *	10/2013	Koide	D15/122
D636,796 S *	4/2011	Hiroshima	D15/122	D693,859 S *	11/2013	Kitamura	D15/122
D637,631 S *	5/2011	Hiroshima	D15/122	D696,315 S *	12/2013	Schmid	D15/122
D638,449 S *	5/2011	Schindler	D15/122	D716,351 S *	10/2014	Kitamura	D15/122
				D716,857 S *	11/2014	Shimano	D15/122
				D736,839 S *	8/2015	Shimano	D15/122
				9,120,192 B2 *	9/2015	Krieg	B23Q 39/024
				9,126,266 B2 *	9/2015	Walz	B23B 3/168

* cited by examiner

Fig. 1

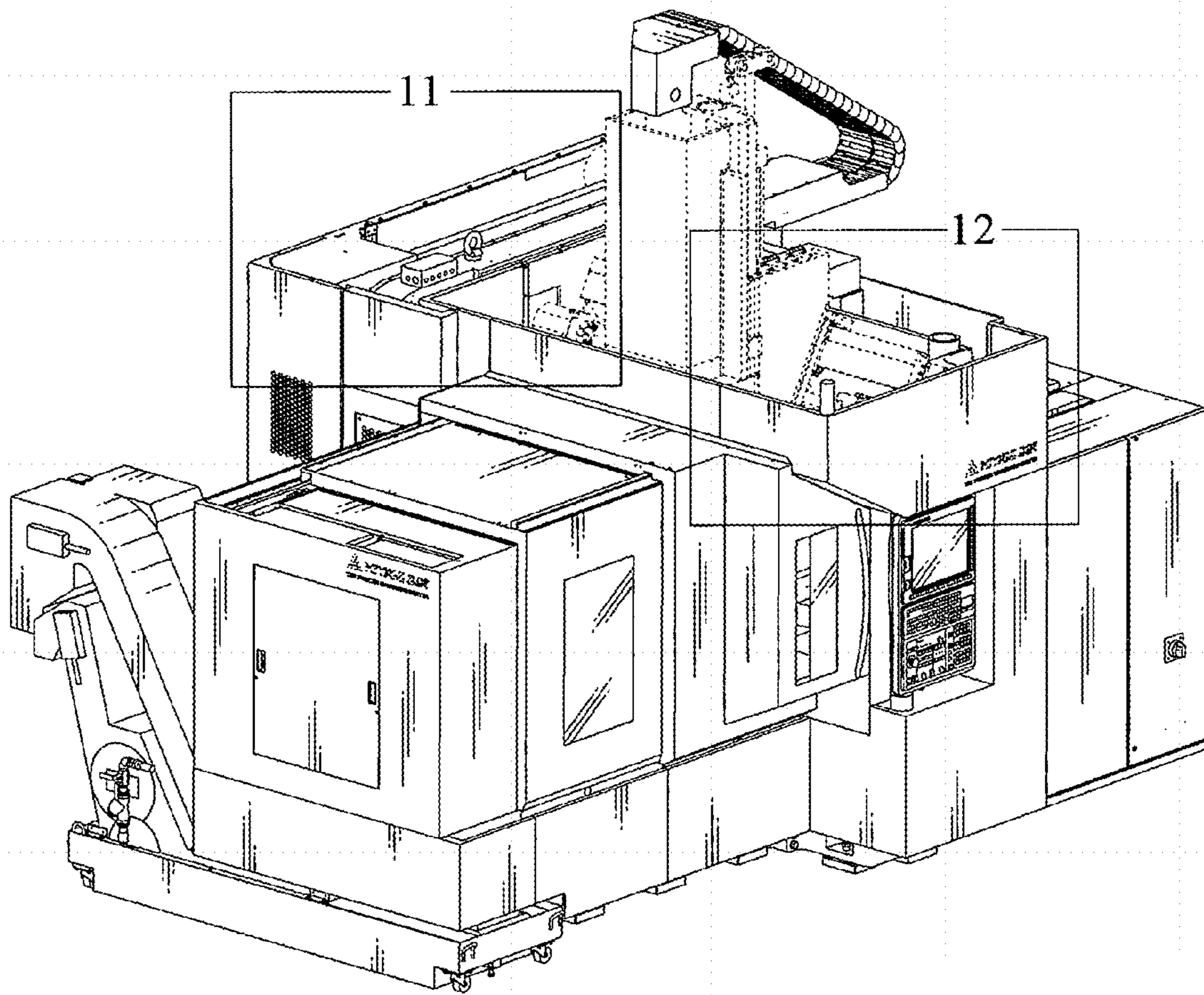


Fig. 2

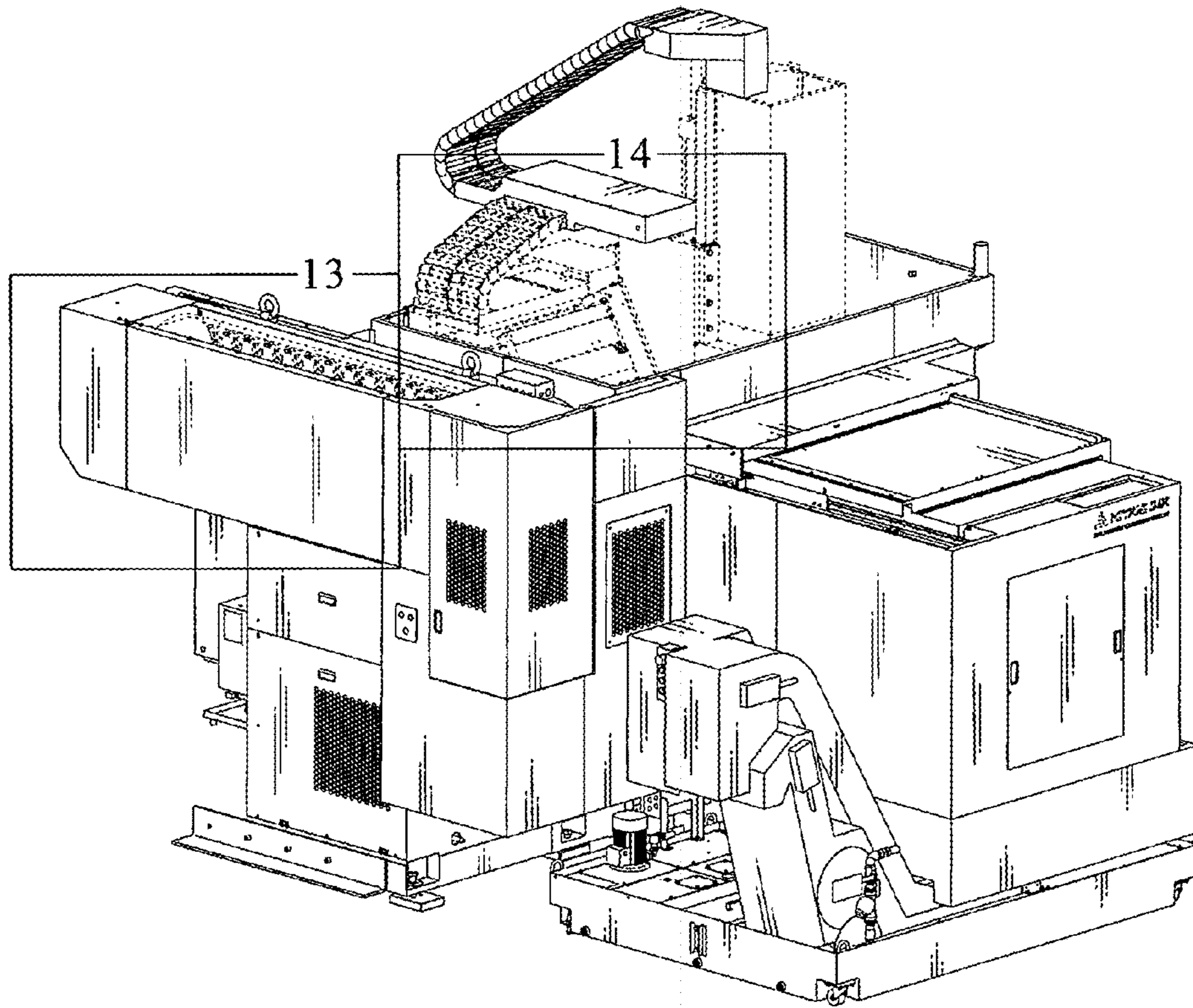


Fig. 3

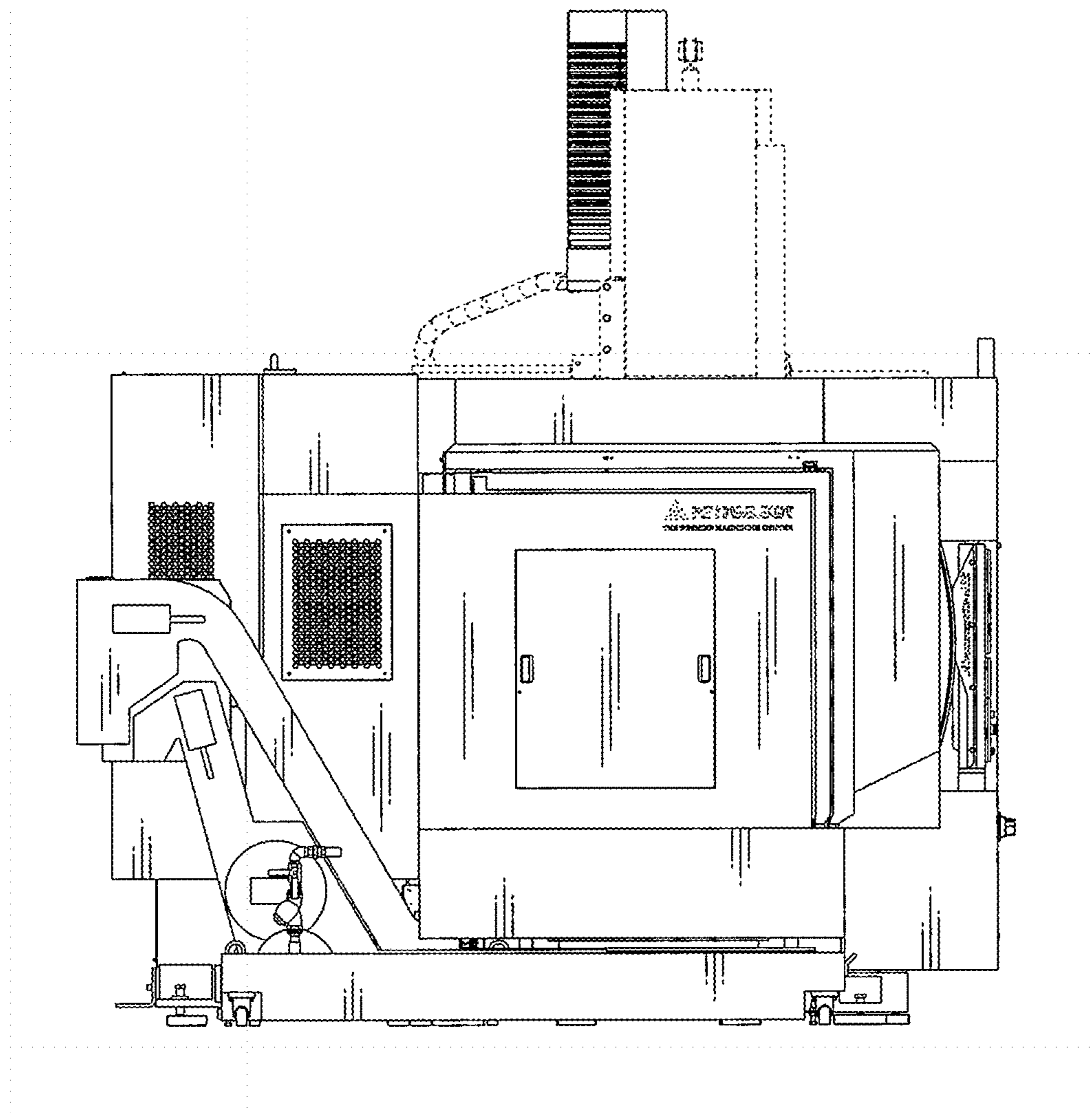


Fig. 4

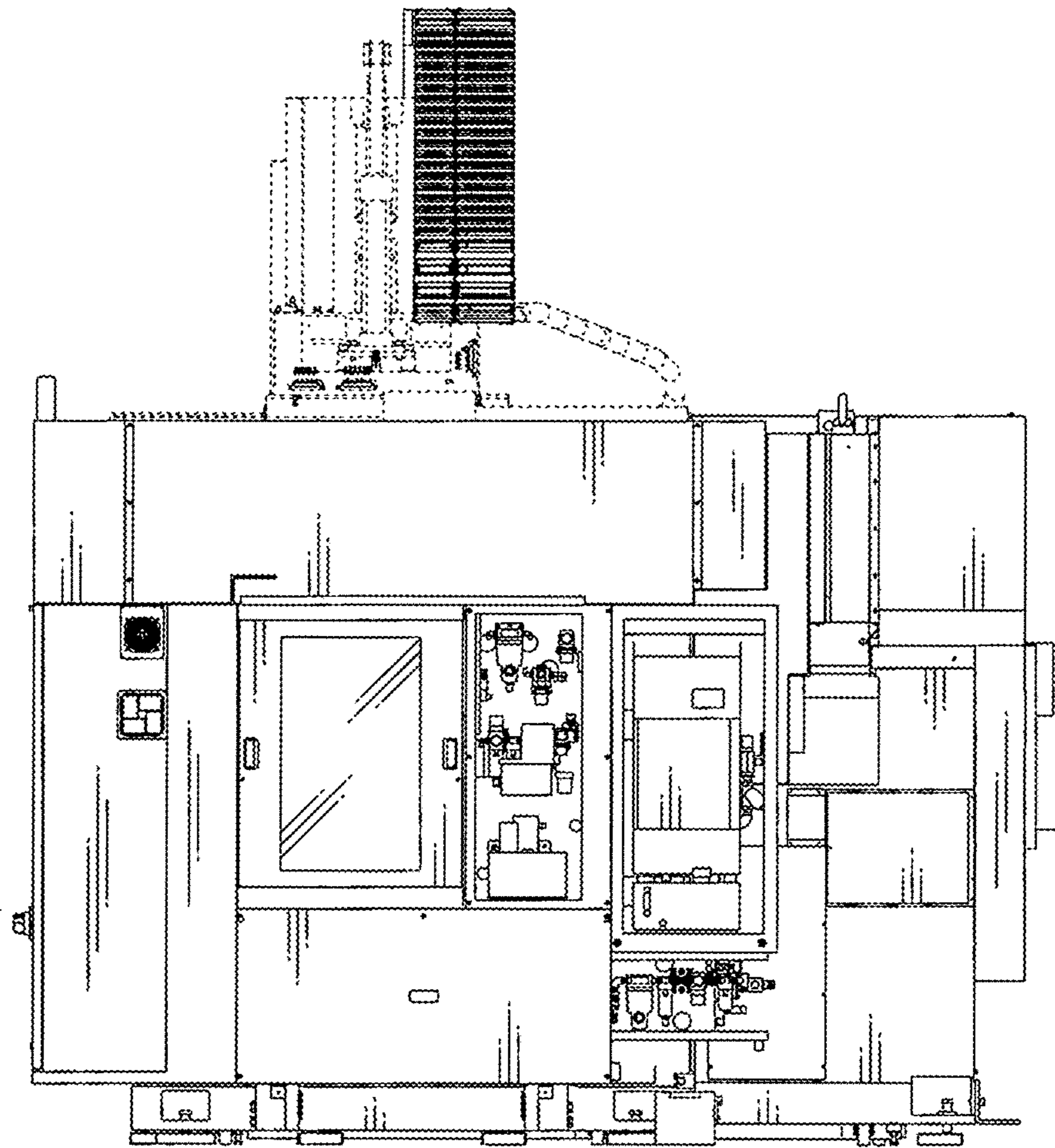


Fig. 5

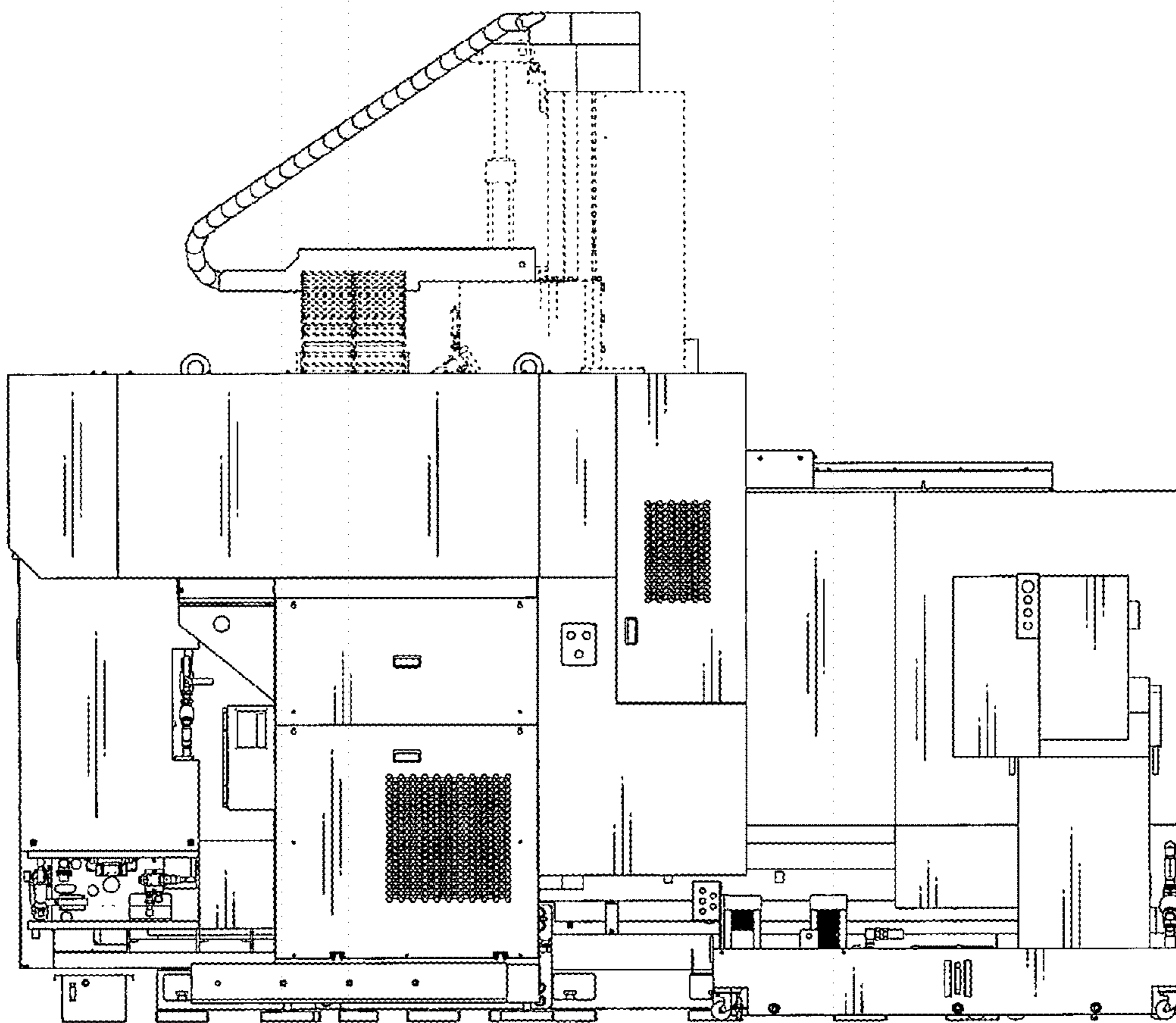


Fig. 6

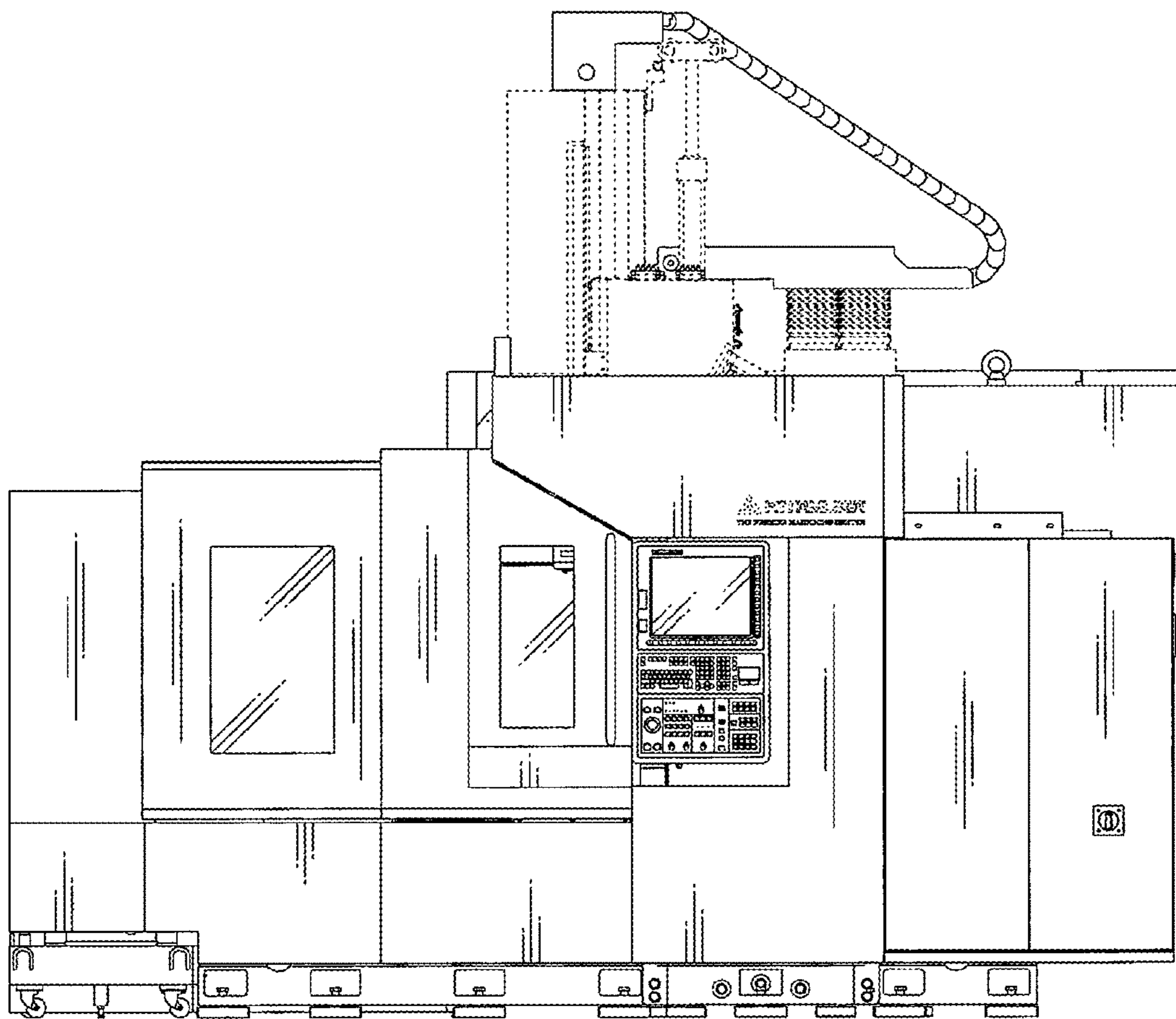


Fig. 7

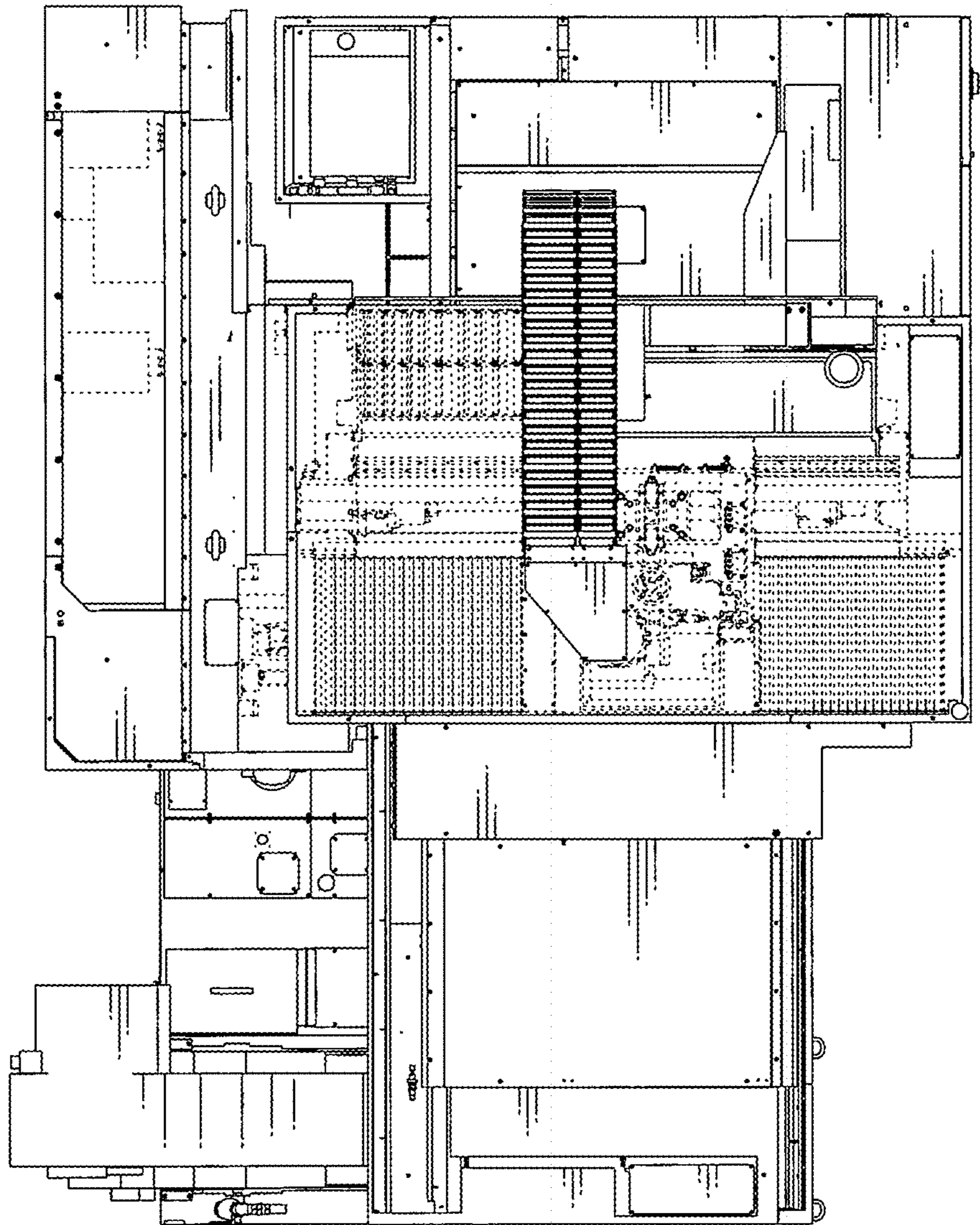


Fig. 8

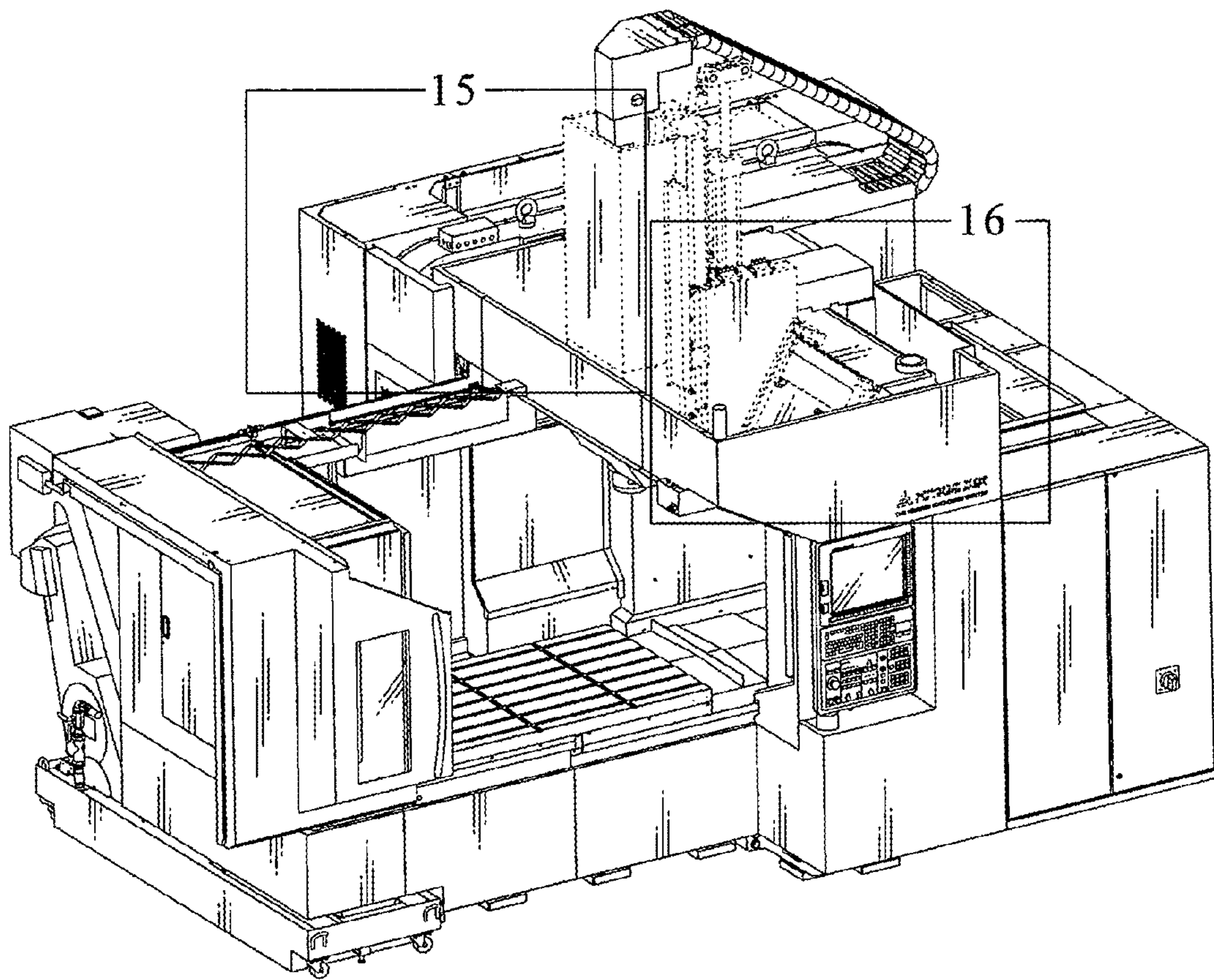


Fig. 9

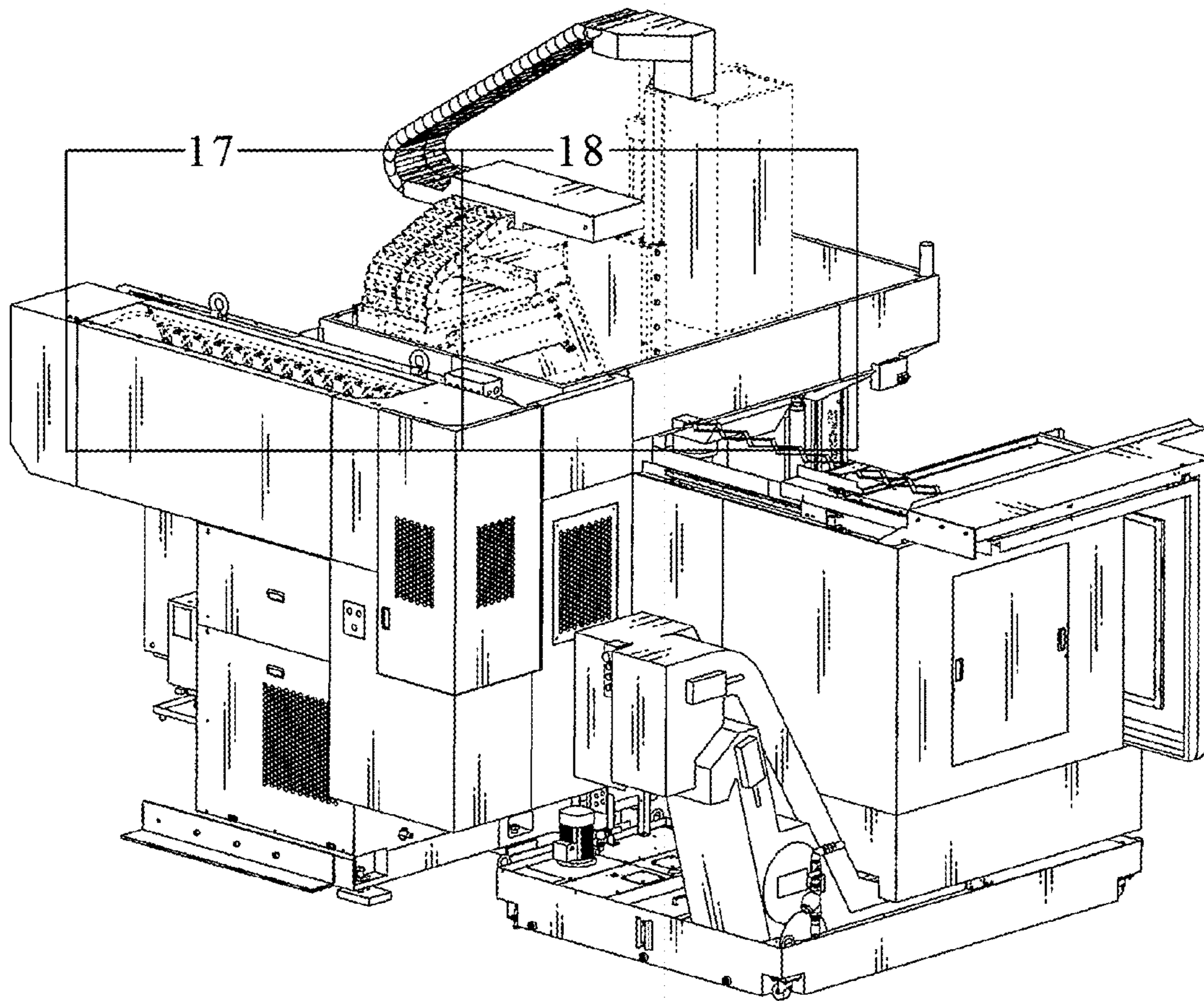


Fig. 10

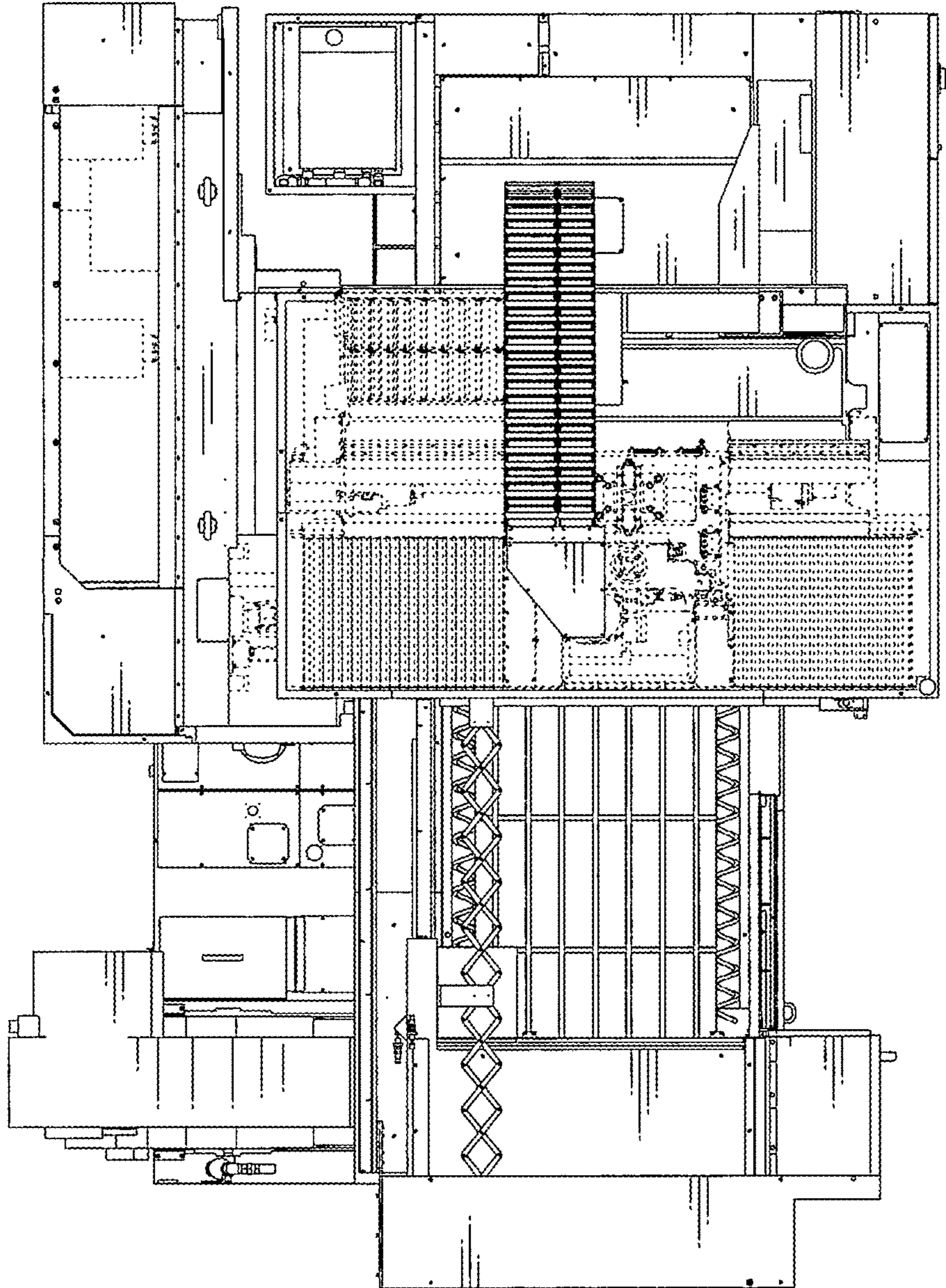


Fig. 11

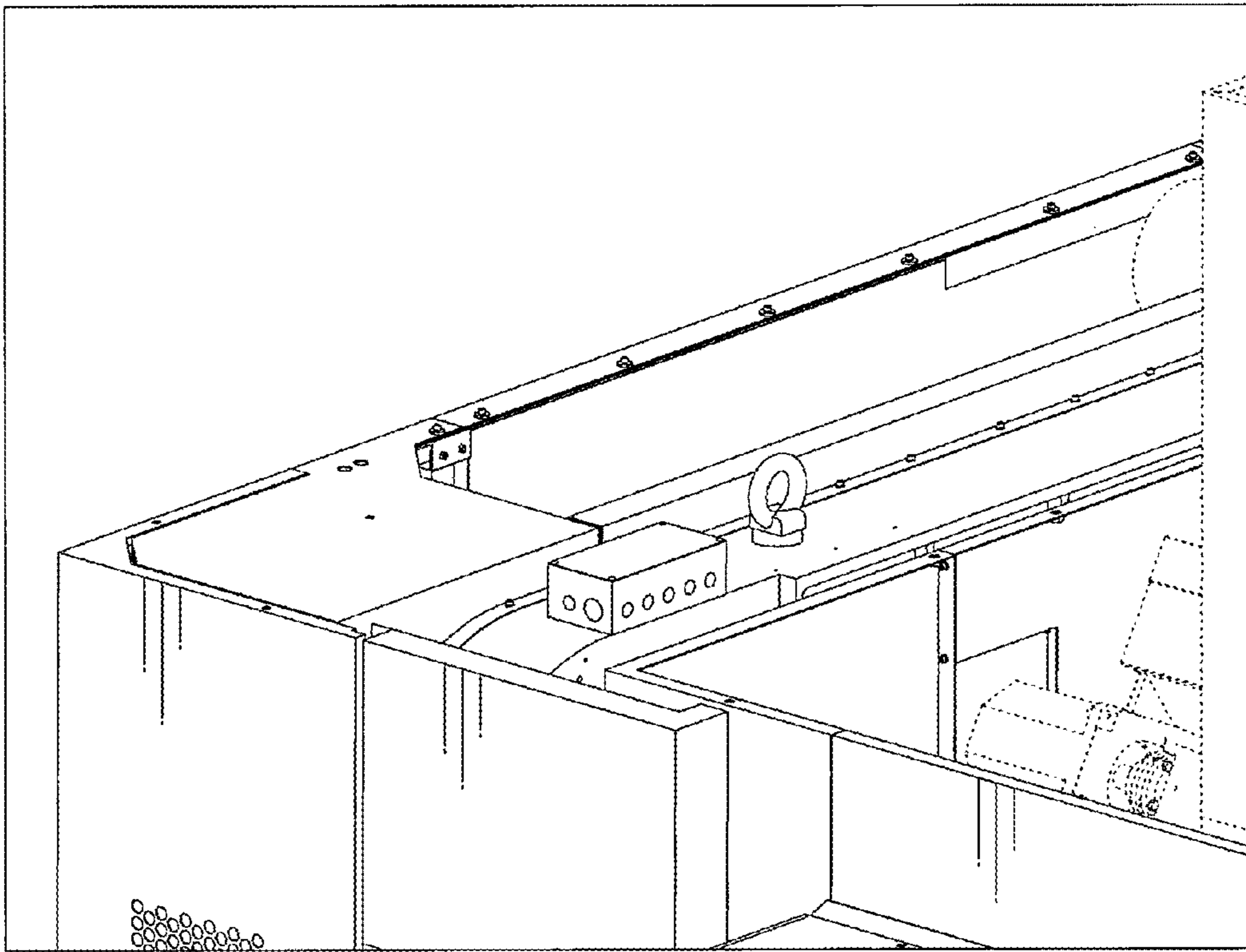


Fig. 12

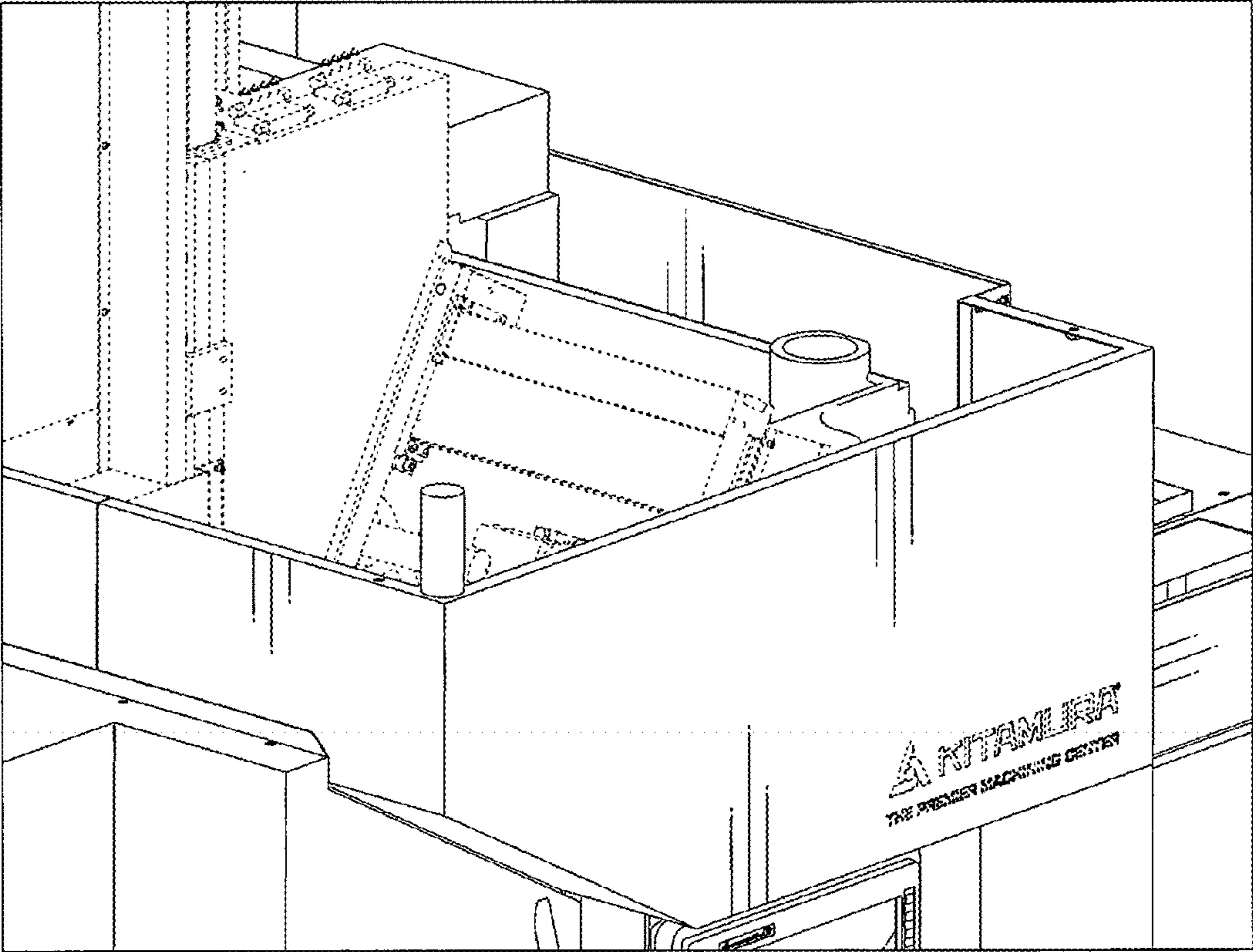


Fig. 13

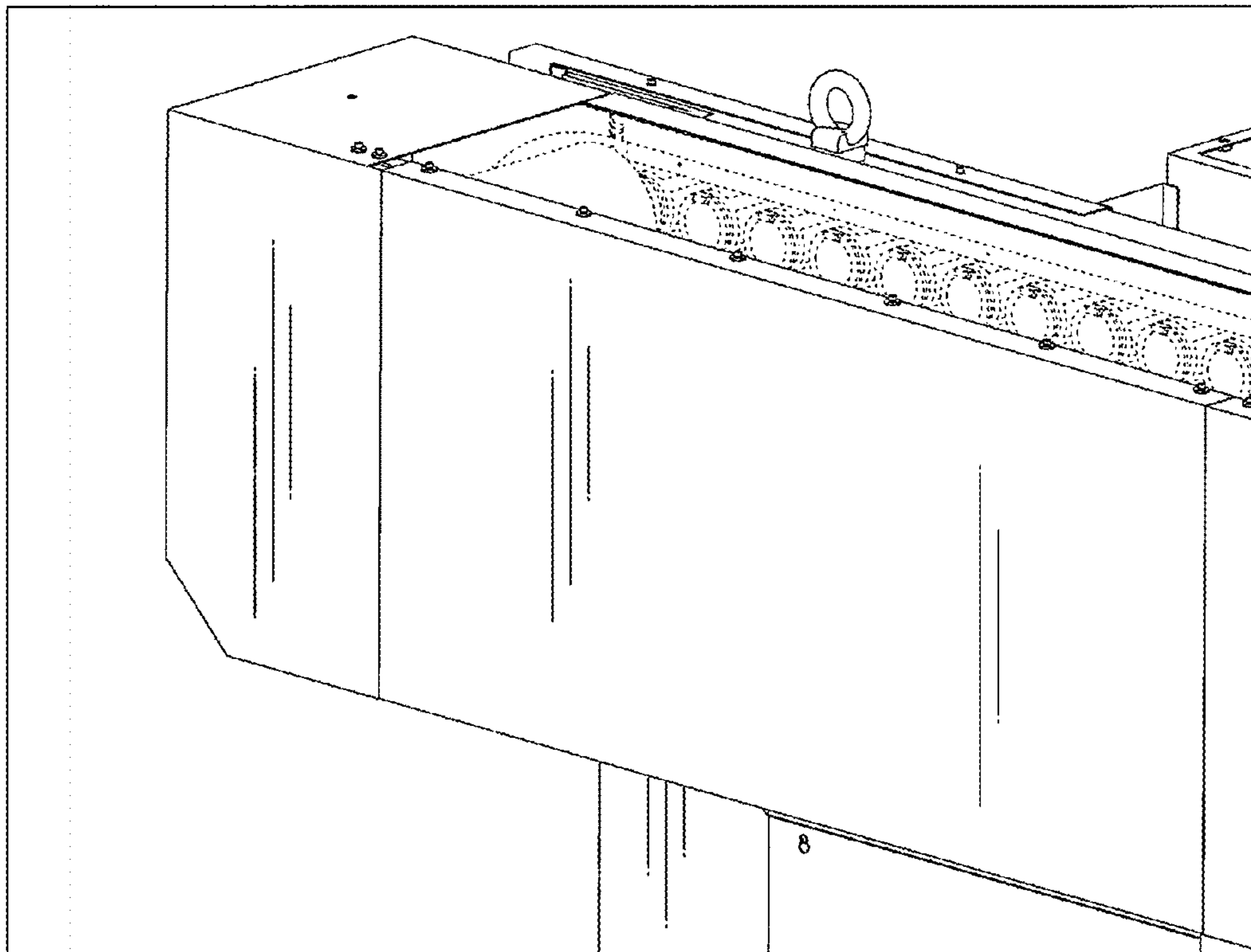


Fig. 14

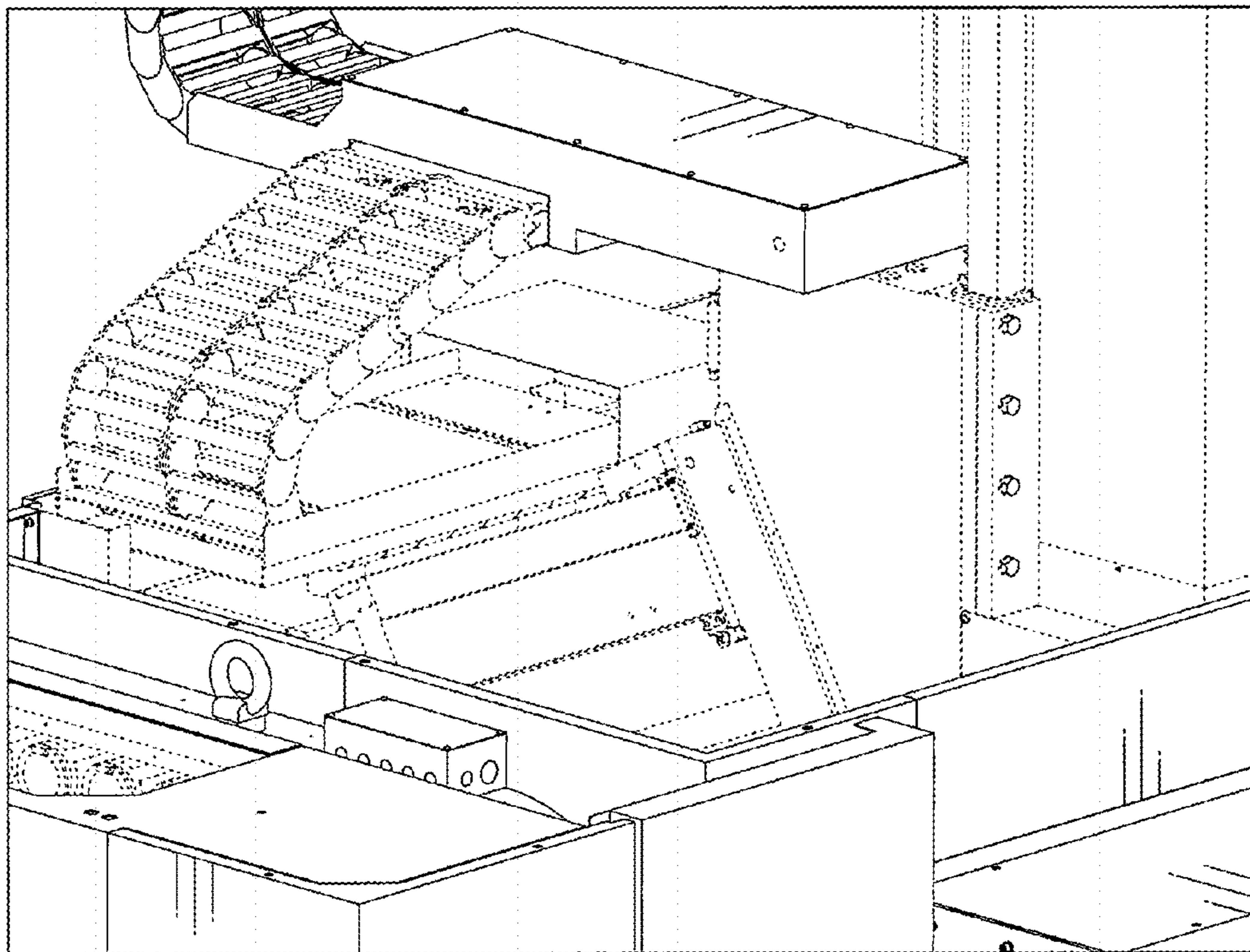


Fig. 15

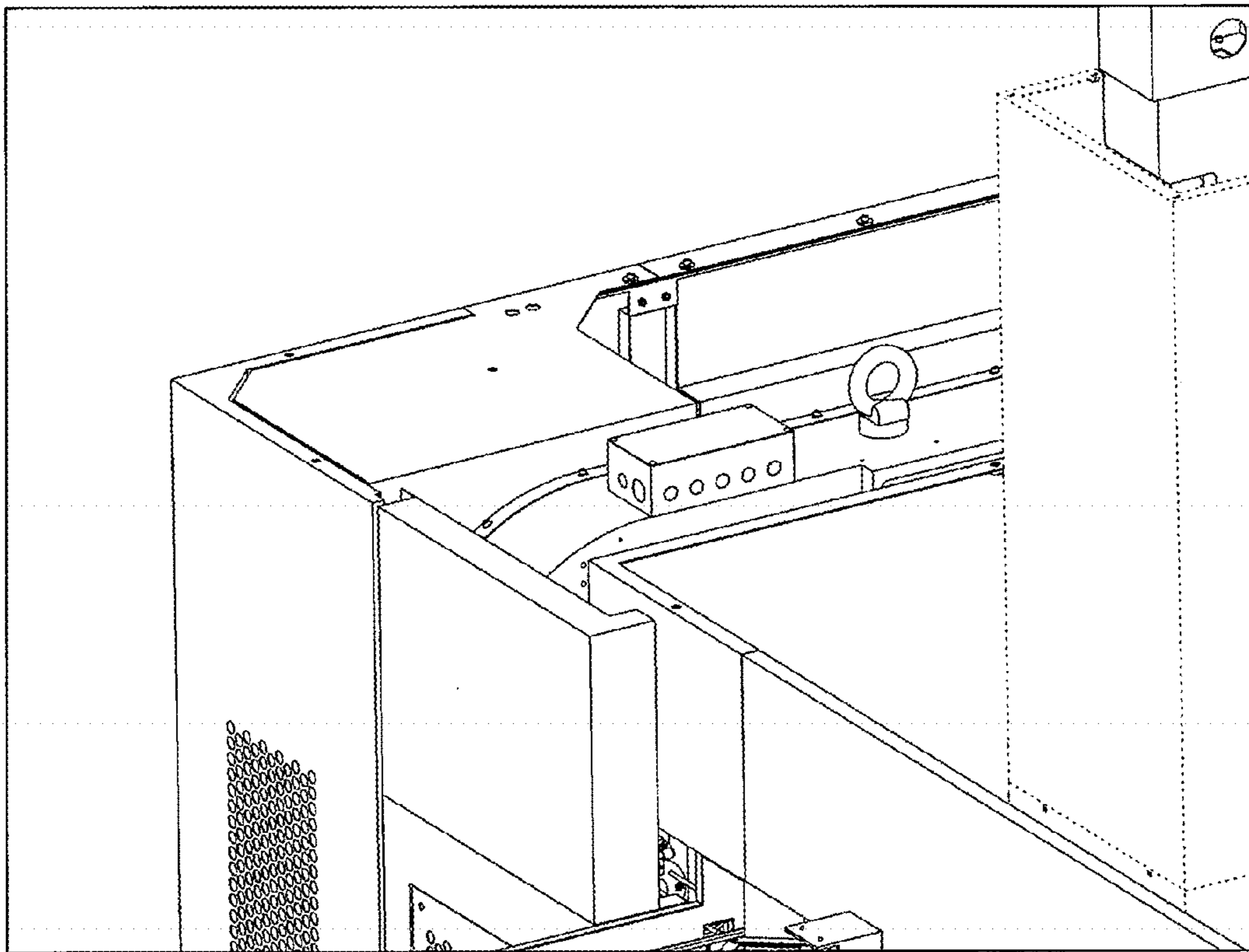


Fig. 16

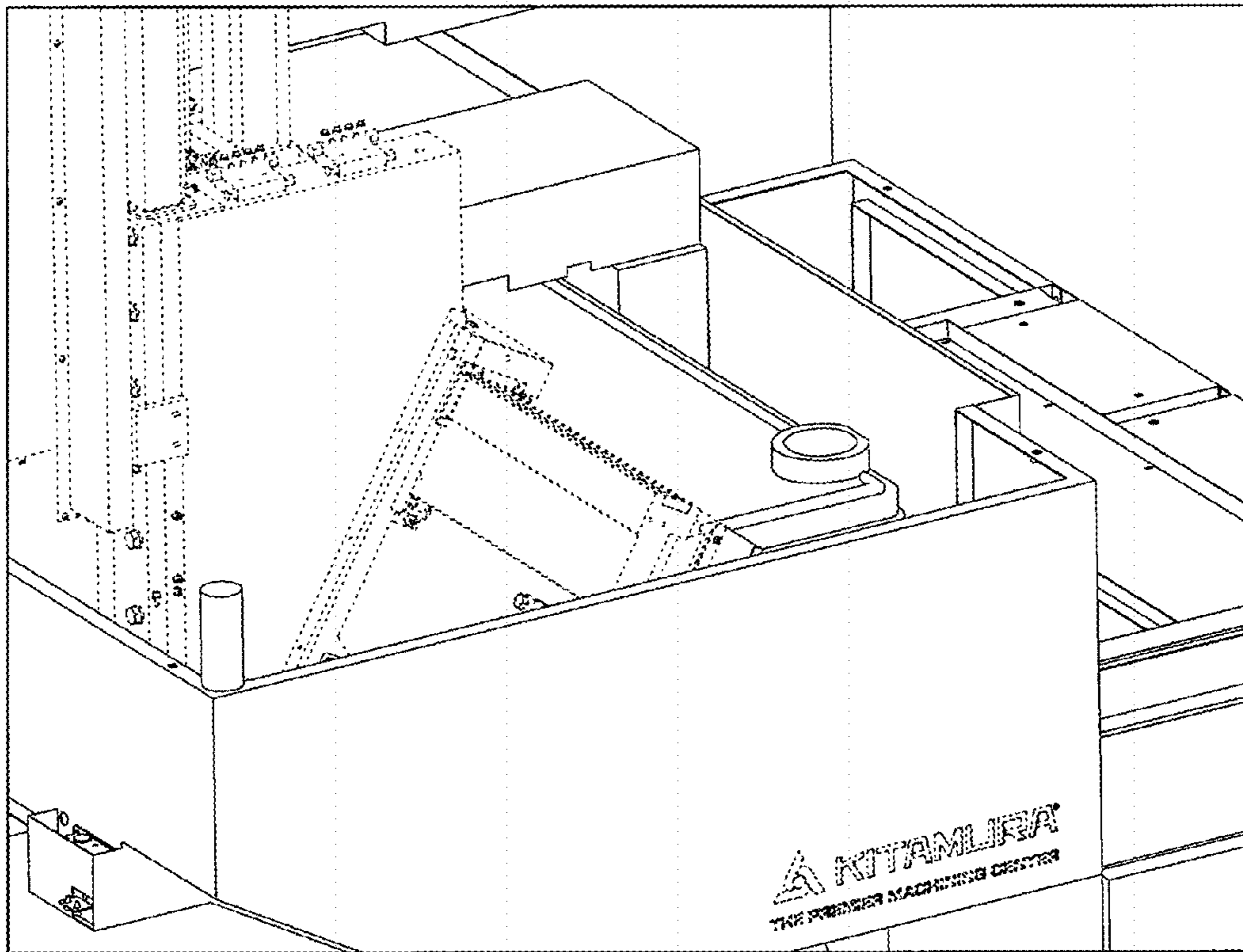


Fig. 17

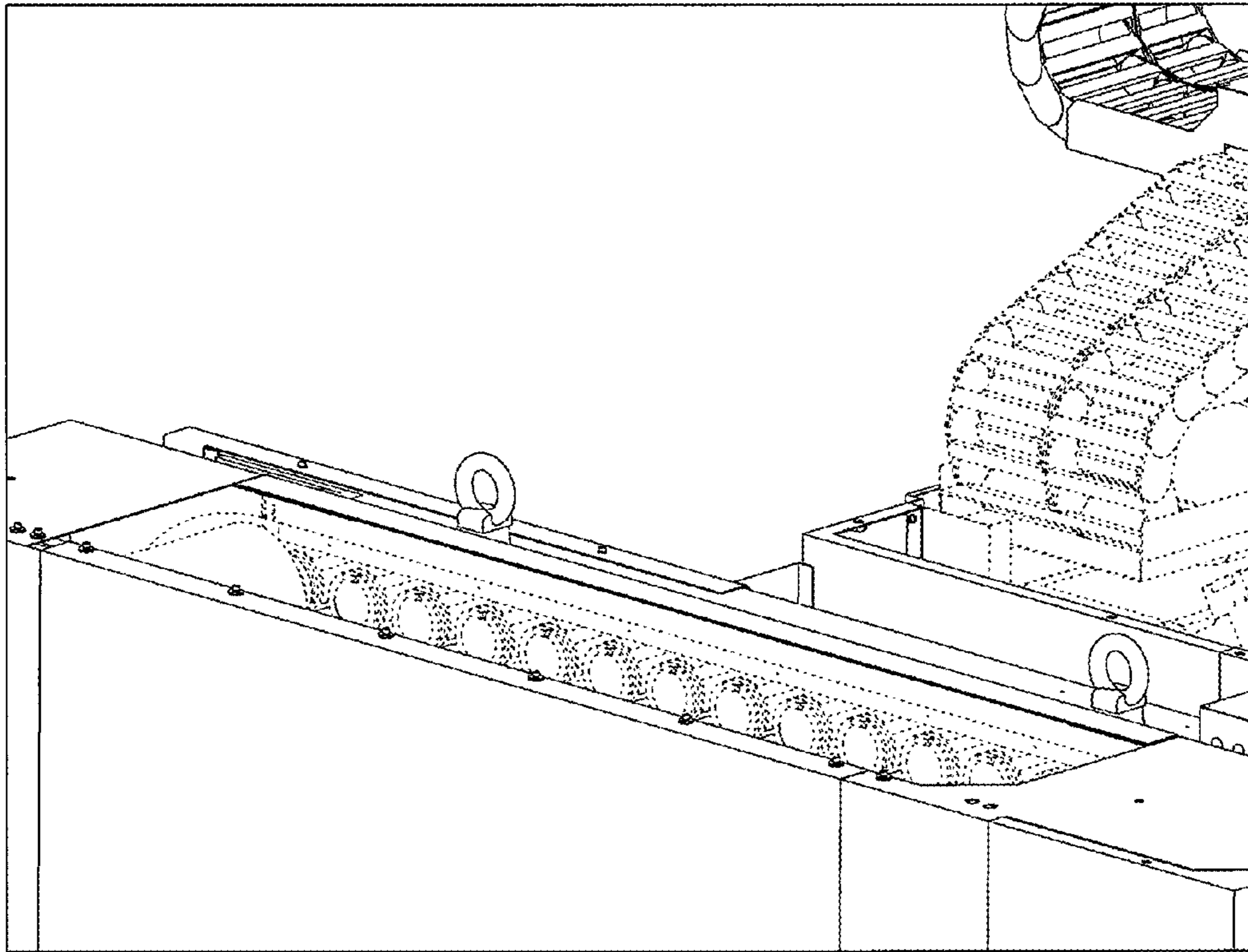


Fig. 18

