



US00D759130S

(12) **United States Design Patent**
Crow

(10) **Patent No.:** **US D759,130 S**
(45) **Date of Patent:** **** Jun. 14, 2016**

- (54) **YARN RETENTION ARM**
- (71) Applicant: **Mitchell A. Crow**, Dalton, GA (US)
- (72) Inventor: **Mitchell A. Crow**, Dalton, GA (US)
- (**) Term: **14 Years**
- (21) Appl. No.: **29/519,824**
- (22) Filed: **Mar. 9, 2015**
- (51) **LOC (10) Cl.** **15-06**
- (52) **U.S. Cl.**
USPC **D15/78**
- (58) **Field of Classification Search**
USPC D15/66, 72, 78
CPC B65H 49/00–49/16; B65H 59/22;
B65H 59/00; D02H 1/00; D01H 13/04
See application file for complete search history.

D692,928 S * 11/2013 Crow D15/78
 D738,937 S * 9/2015 Crow D15/78
 2007/0215742 A1* 9/2007 Zollinger B65H 49/16
 242/558

* cited by examiner

Primary Examiner — Mitchell Siegel
(74) *Attorney, Agent, or Firm* — Rodgers & Rodgers

(57) **CLAIM**
The ornamental design for a yarn retention arm, as shown and described.

DESCRIPTION

FIG. 1 is a perspective view of a yarn retention arm showing my new design;
 FIG. 2 is a left-side elevational view thereof;
 FIG. 3 is a front elevational view thereof;
 FIG. 4 is a top plan view thereof;
 FIG. 5 is a bottom plan view thereof;
 FIG. 6 is a right-side elevational view thereof;
 FIG. 7 is a rear elevational view thereof;
 FIG. 8 is an exploded perspective view thereof;
 FIG. 9 is a perspective view of a second embodiment of FIG. 1, the only difference being the configuration of the resilient pie-shaped element, it being understood that all other surfaces are the same as those of the first embodiment; and,
 FIG. 10 is a perspective view of a third embodiment of FIG. 1, the only difference being the configuration of the ring-shaped attachment, it being understood that all other surfaces are the same as those of the first embodiment.

- (56) **References Cited**
U.S. PATENT DOCUMENTS
657,351 A * 9/1900 Miller 242/149
3,595,498 A * 7/1971 Mackie B65H 59/22
242/149
4,121,833 A * 10/1978 Prueter A63B 53/0487
473/330
5,239,814 A * 8/1993 Yamada D01H 13/04
242/131
5,299,343 A * 4/1994 Tomoto D01H 5/005
19/157

1 Claim, 5 Drawing Sheets

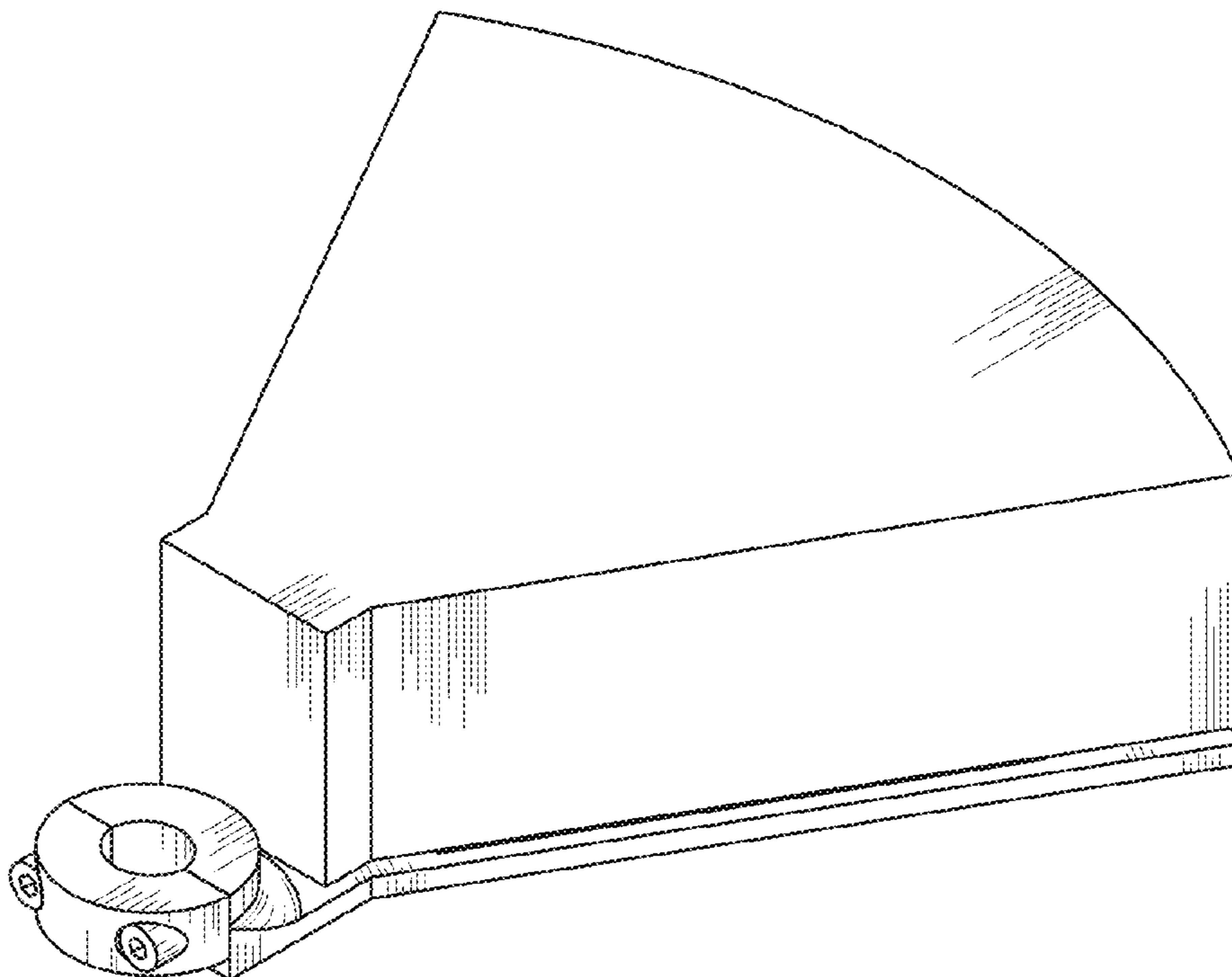


Fig 1

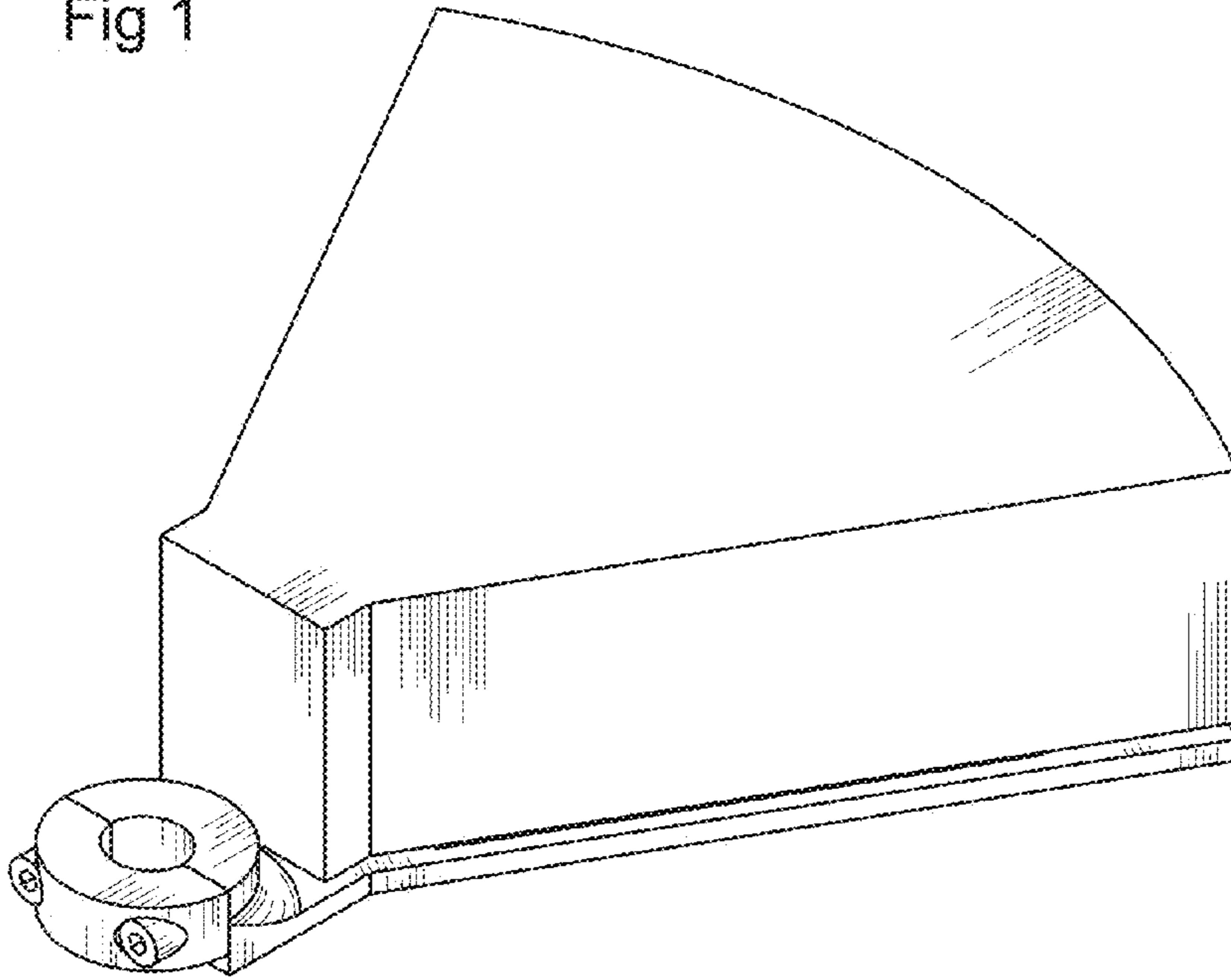


Fig 2

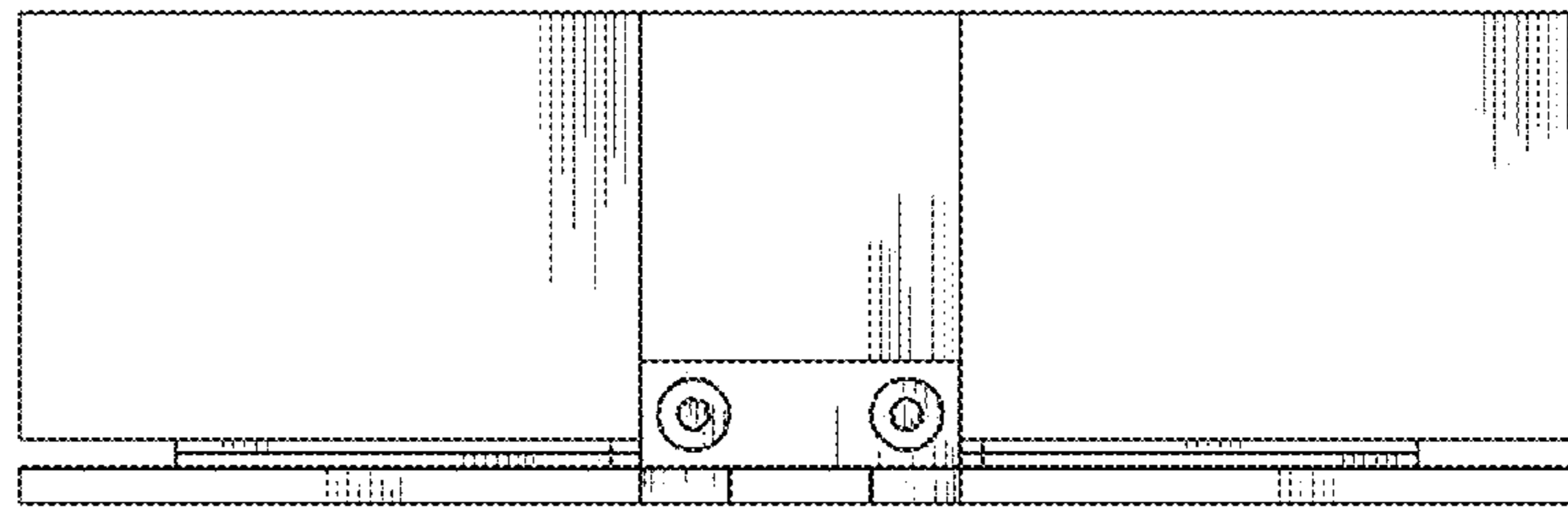


Fig 3



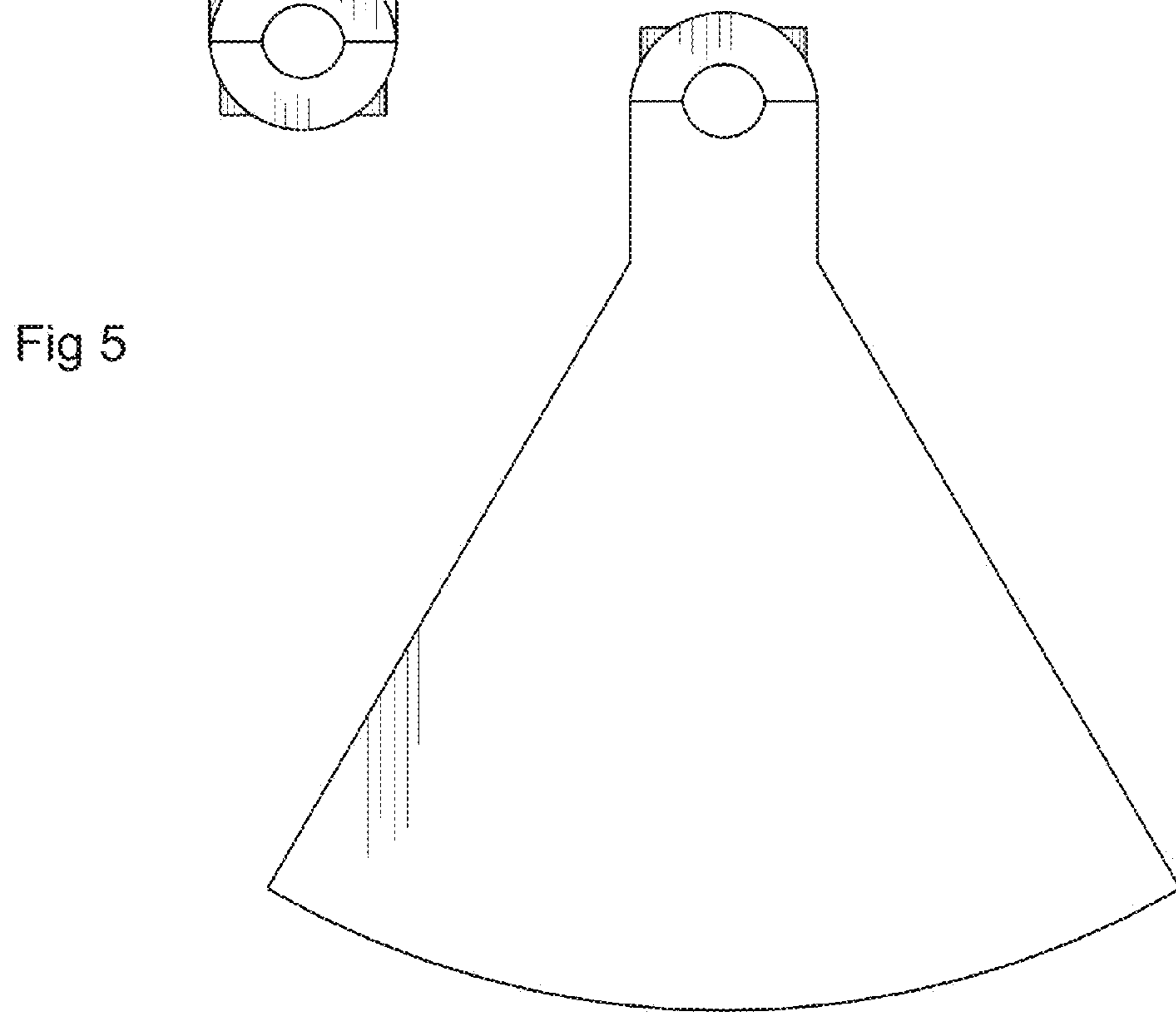
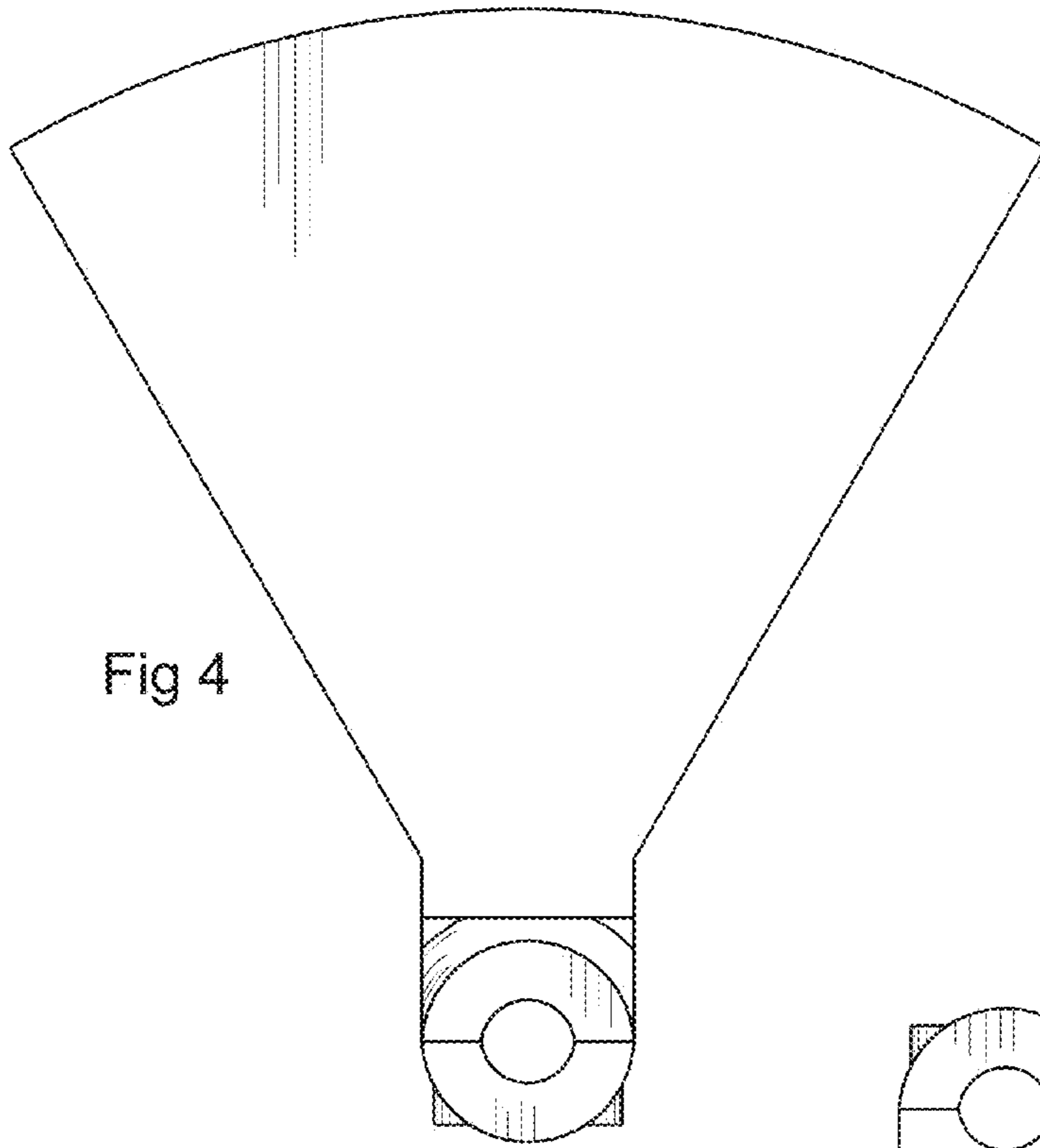


Fig 6

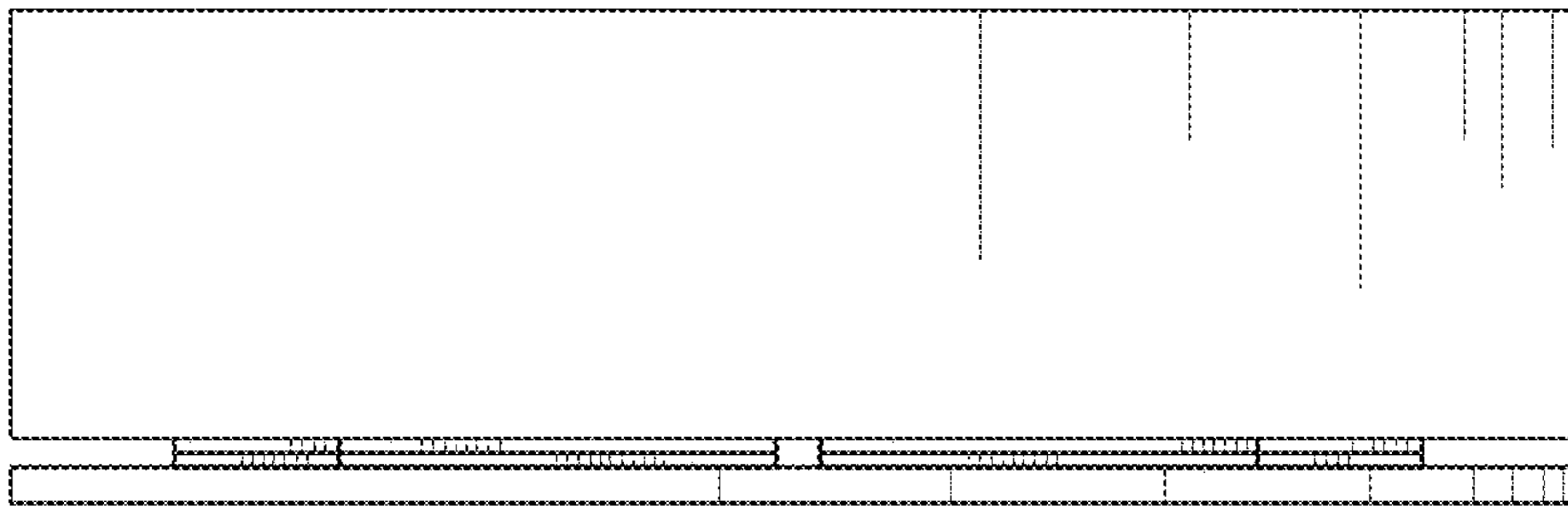


Fig 7

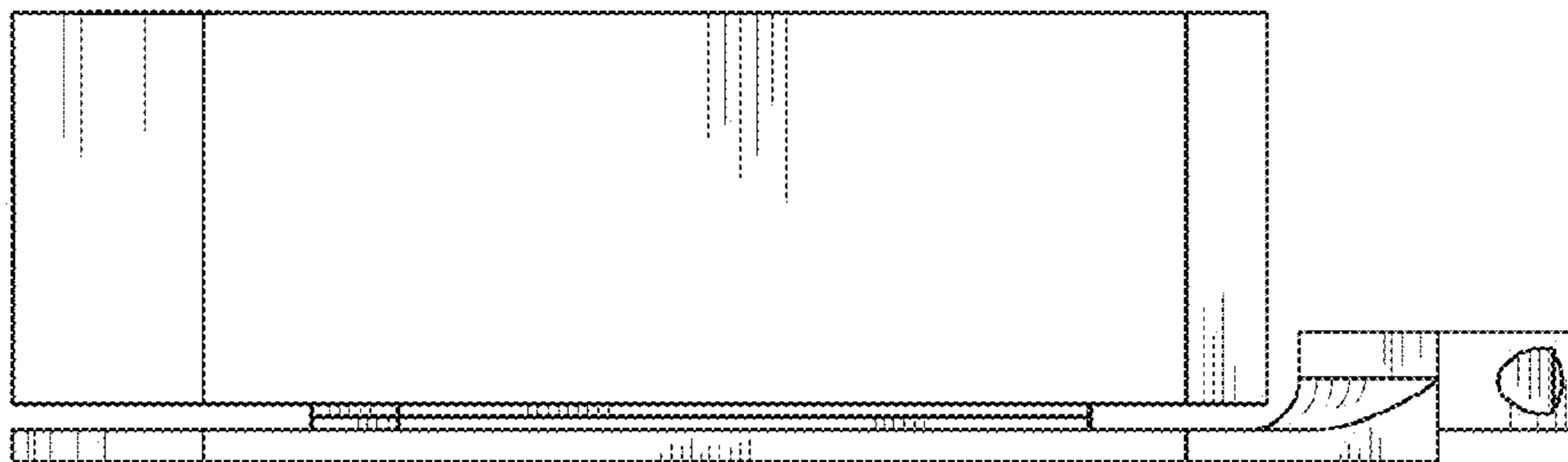


Fig 8

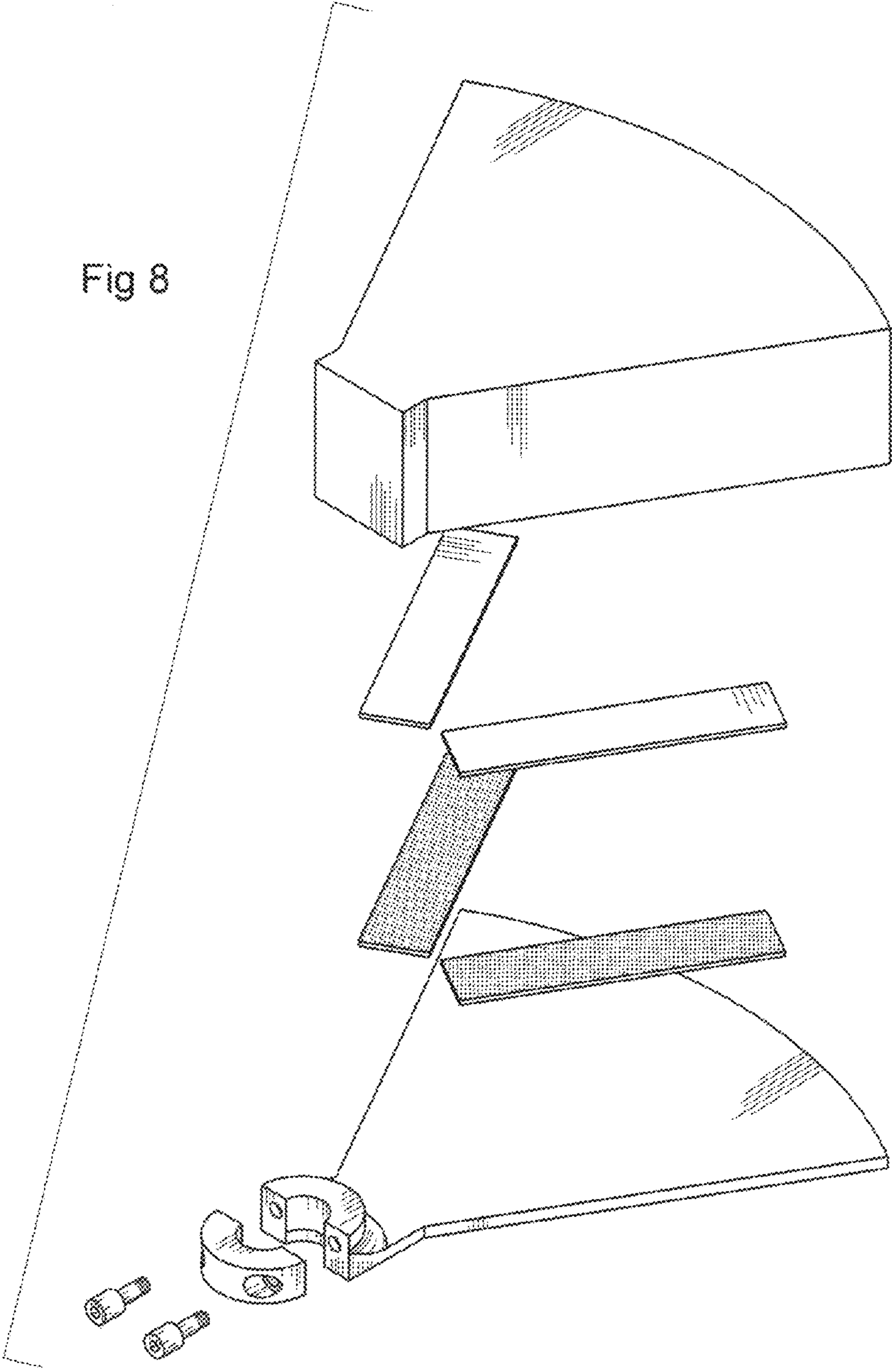


Fig 9

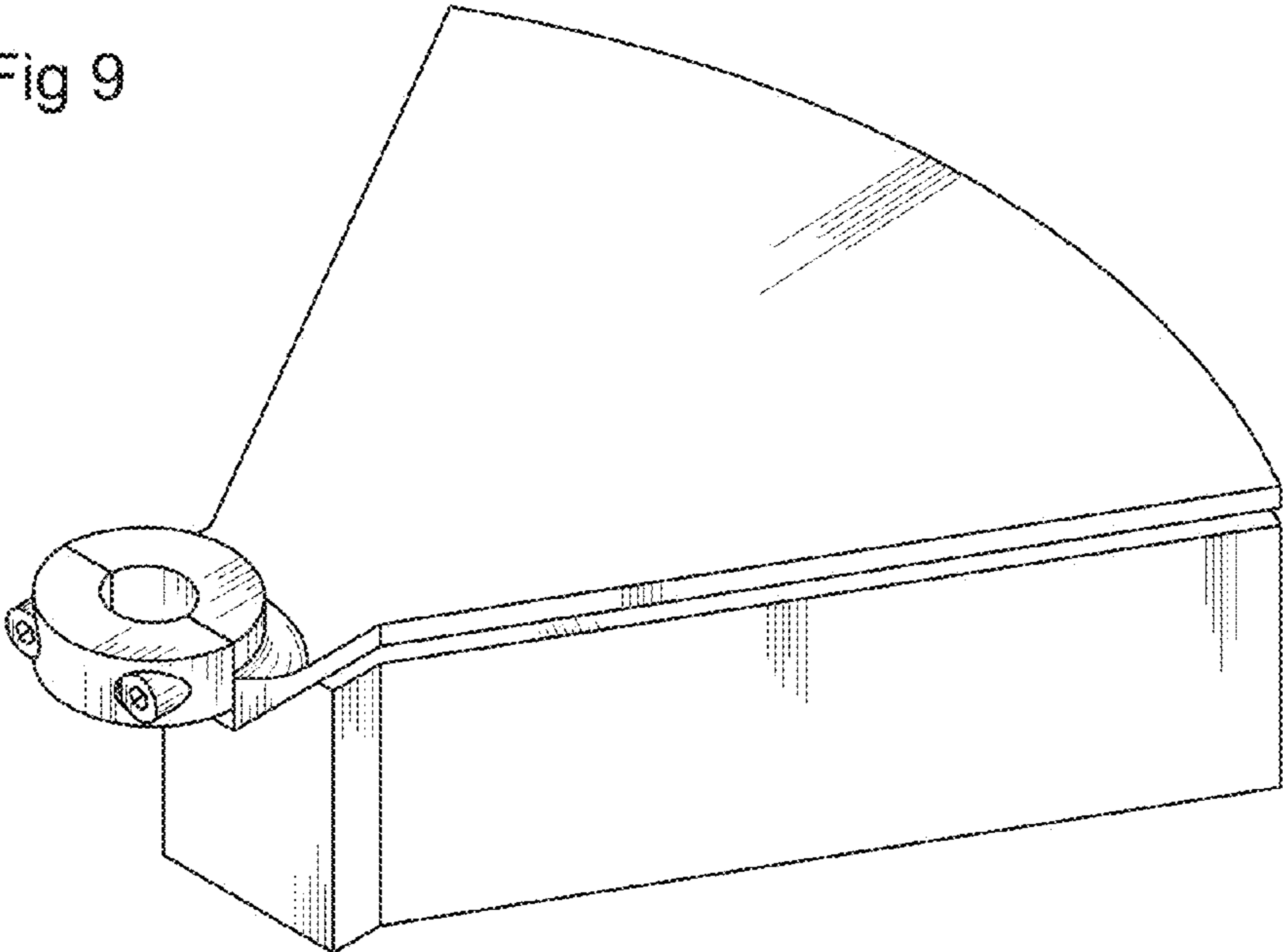


Fig 10

