



US00D759128S

(12) **United States Design Patent**  
**Yang et al.**

(10) **Patent No.:** **US D759,128 S**  
(45) **Date of Patent:** **\*\* Jun. 14, 2016**

(54) **AGRICULTURAL TRACTOR**

(71) Applicant: **DAEDONG INDUSTRIAL CO., LTD.**,  
Daegu (KR)

(72) Inventors: **Soo Hyun Yang**, Changnyeong-gun  
(KR); **Seok Ki Cheon**,  
Changnyeong-gun (KR); **Jin Mok Park**,  
Changnyeong-gun (KR)

(73) Assignee: **DAEDONG INDUSTRIAL CO., LTD.**,  
Daegu (KR)

(\*\*) Term: **14 Years**

(21) Appl. No.: **29/516,823**

(22) Filed: **Feb. 6, 2015**

(30) **Foreign Application Priority Data**

Aug. 8, 2014 (KR) ..... 30-2014-0038878

(51) **LOC (10) Cl.** ..... **15-03**

(52) **U.S. Cl.**  
USPC ..... **D15/26; D15/23**

(58) **Field of Classification Search**

USPC ..... D15/10, 14, 15, 22-26, 33; 180/69.2,  
180/89.1, 89.12, 900; 56/12.7, 15.8, 16.7,  
56/13.3, 10.1, 202, 320.1

CPC ..... A01B 51/026; B62D 49/02; B62D 33/06;  
B62D 33/0604; B62D 33/0617; B62D 25/10;  
B60K 15/063; B60K 15/073; B60K 2015/0637

See application file for complete search history.

(56) **References Cited**

U.S. PATENT DOCUMENTS

|              |         |              |       |        |
|--------------|---------|--------------|-------|--------|
| D438,546 S * | 3/2001  | Katoh        | ..... | D15/23 |
| D501,487 S * | 2/2005  | Katoh        | ..... | D15/23 |
| D526,335 S * | 8/2006  | Kuwae        | ..... | D15/23 |
| D537,454 S * | 2/2007  | Higashikawa  | ..... | D15/23 |
| D547,333 S * | 7/2007  | Nishi        | ..... | D15/15 |
| D553,159 S * | 10/2007 | Higashikawa  | ..... | D15/15 |
| D558,797 S * | 1/2008  | Yamamoto     | ..... | D15/23 |
| D581,953 S * | 12/2008 | Matsumoto    | ..... | D15/15 |
| D600,255 S * | 9/2009  | Kushita      | ..... | D15/23 |
| D605,668 S * | 12/2009 | Matsumoto    | ..... | D15/23 |
| D613,313 S * | 4/2010  | Bhanuprakash | ..... | D15/23 |
| D678,353 S * | 3/2013  | Kakudate     | ..... | D15/23 |
| D692,463 S * | 10/2013 | Matsui       | ..... | D15/23 |
| D706,837 S * | 6/2014  | Takagi       | ..... | D15/23 |
| D710,911 S * | 8/2014  | Iwata        | ..... | D15/23 |
| D720,369 S * | 12/2014 | Furukawa     | ..... | D15/23 |

\* cited by examiner

*Primary Examiner* — Mark Goodwin

(74) *Attorney, Agent, or Firm* — LRK Patent Law Firm

(57) **CLAIM**

The ornamental design for agricultural tractor, as shown and described.

**DESCRIPTION**

FIG. 1 is a perspective view of the agricultural tractor showing our new design;  
FIG. 2 is a front elevational view thereof;  
FIG. 3 is a rear elevational view thereof;  
FIG. 4 is a left side elevational view thereof;  
FIG. 5 is a right side elevational view thereof;  
FIG. 6 is a top plan view thereof; and,  
FIG. 7 is a bottom view thereof.

**1 Claim, 7 Drawing Sheets**

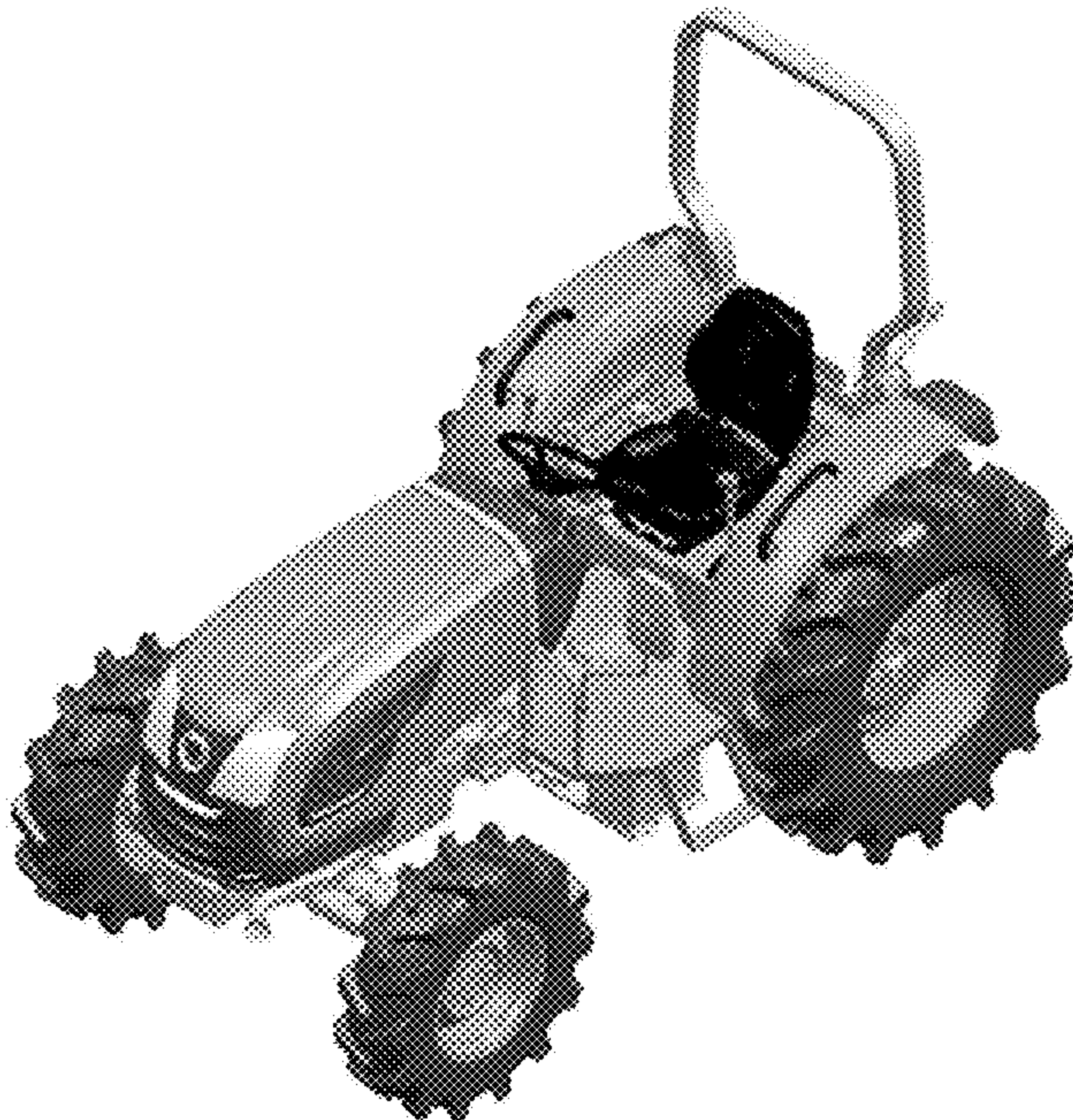




FIG. 1





FIG.2





FIG. 3

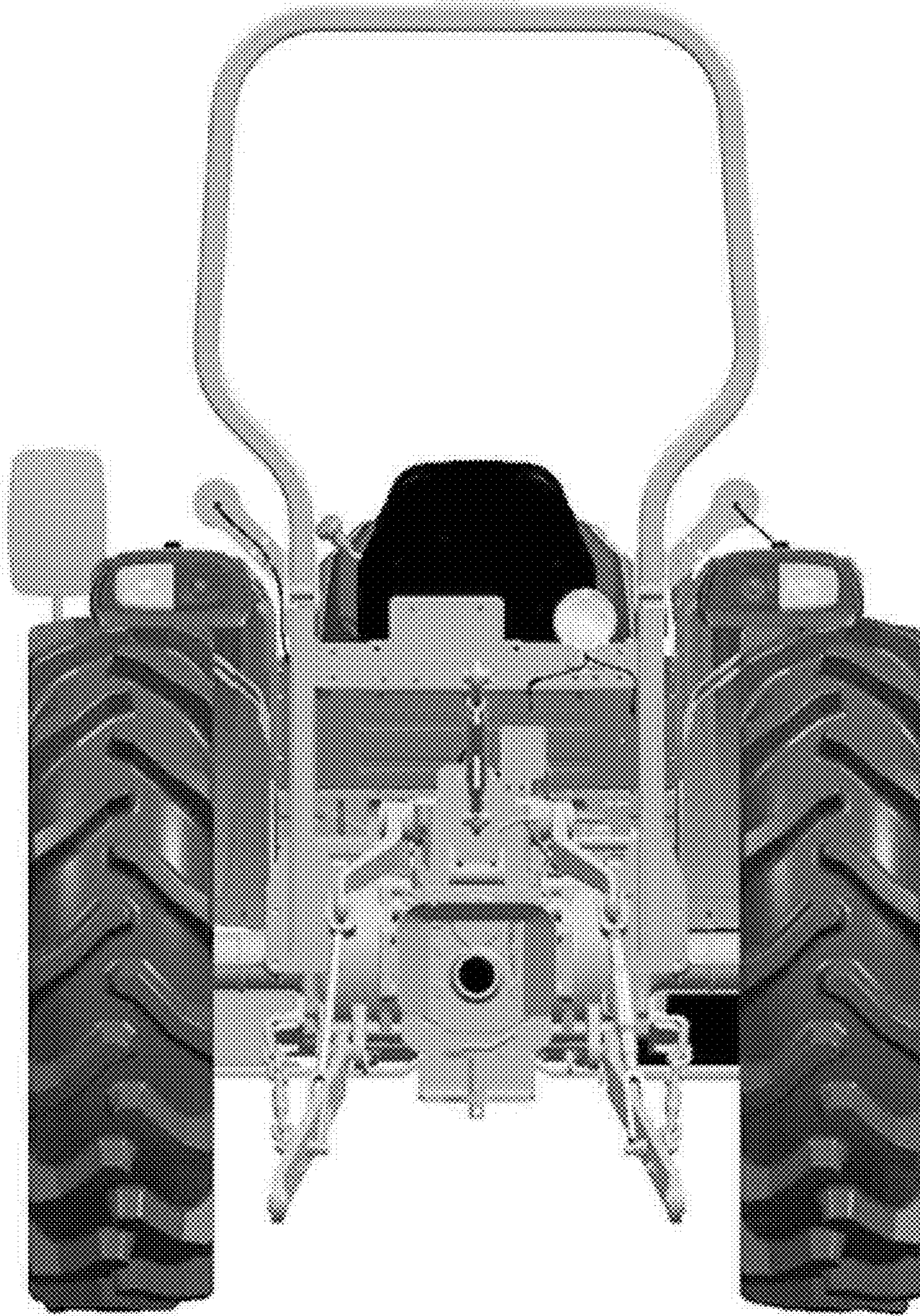




FIG. 4

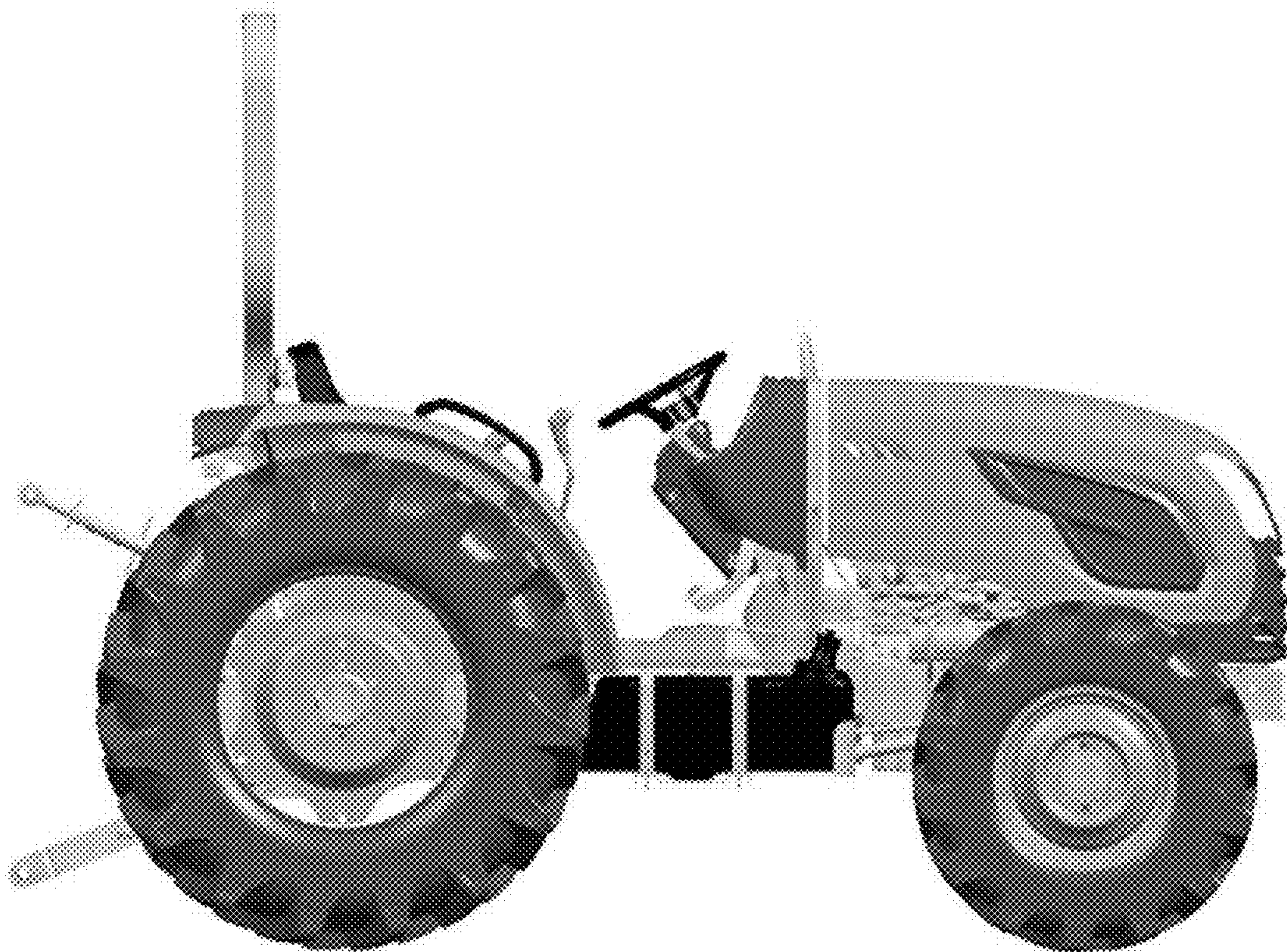




FIG. 5

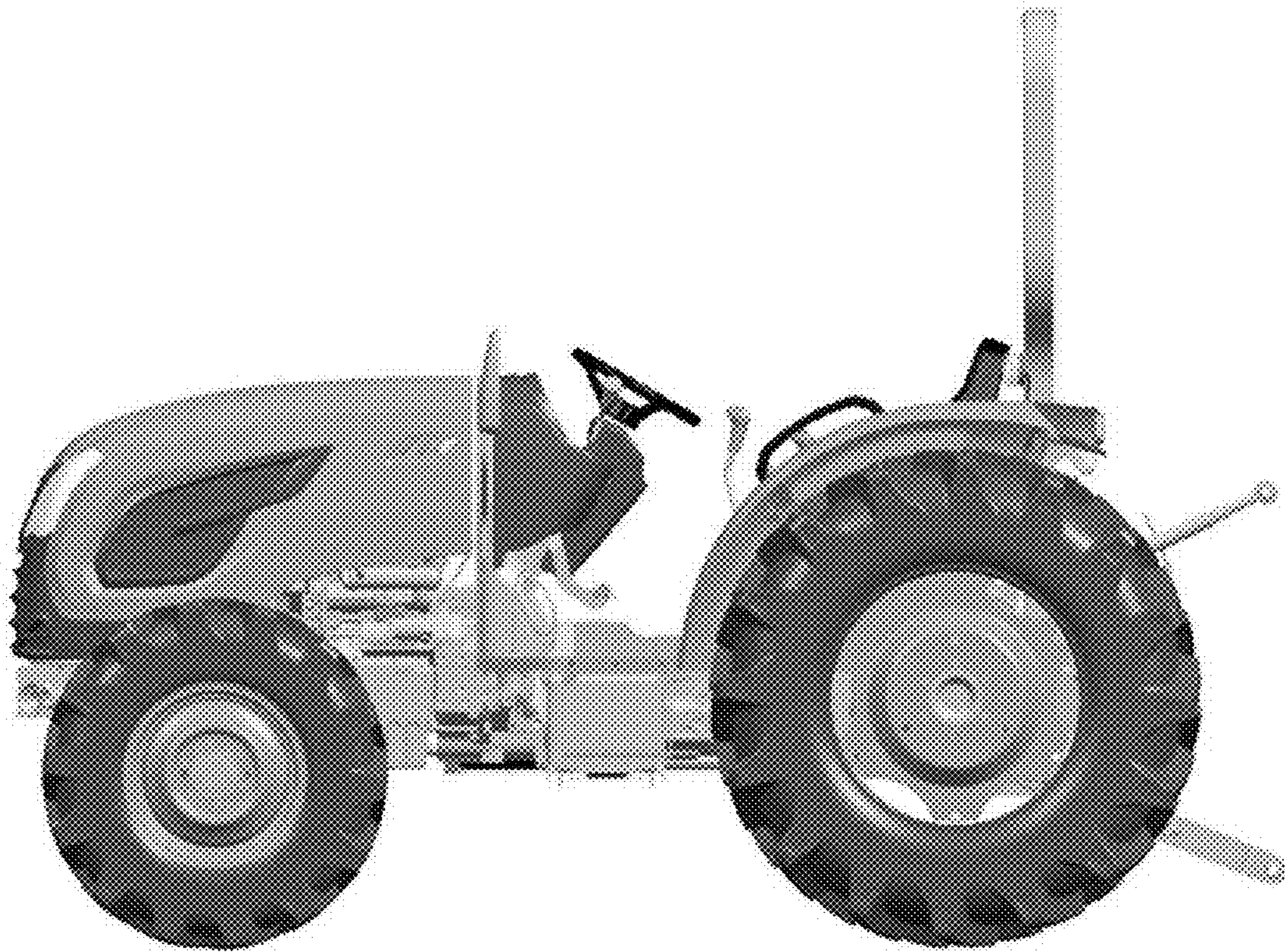




FIG. 6

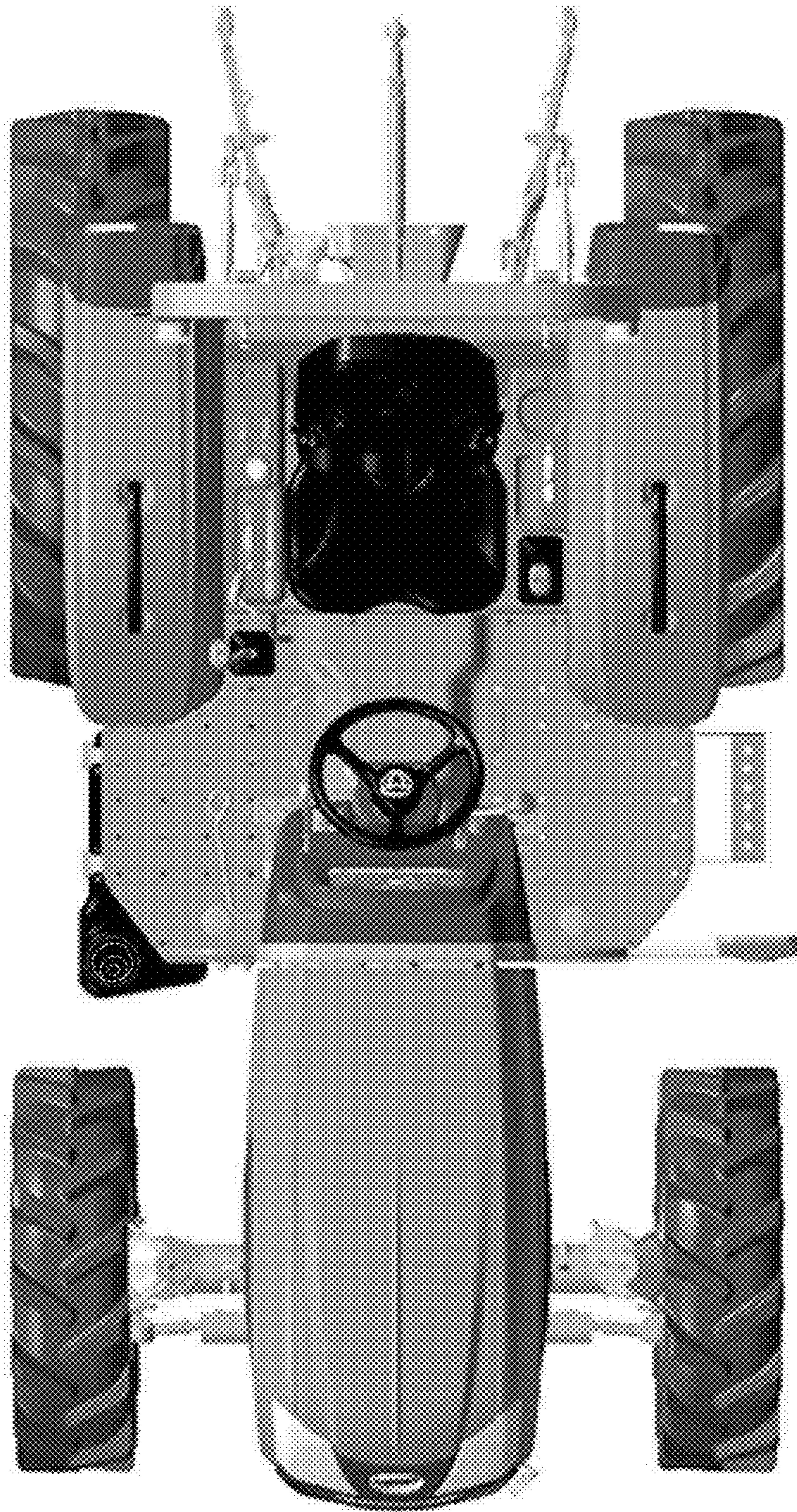




FIG. 7

