



US00D759127S

(12) **United States Design Patent**
Higuchi et al.

(10) **Patent No.:** **US D759,127 S**
(45) **Date of Patent:** **** Jun. 14, 2016**

(54) **POWER SHOVEL**

(56) **References Cited**

(71) Applicant: **KOBELCO CONSTRUCTION MACHINERY CO., LTD.**,
Hiroshima-shi, Hiroshima (JP)

U.S. PATENT DOCUMENTS

(72) Inventors: **Fumikazu Higuchi**, Hiroshima (JP);
Masaaki Murakami, Hiroshima (JP);
Jumpei Yokota, Hiroshima (JP);
Daisuke Mochizuki, Hiroshima (JP);
Hironori Tsukamoto, Hiroshima (JP);
Tsuyoshi Noda, Hiroshima (JP); **Hiroshi Kanamaru**, Hiroshima (JP); **Kaoru Adachi**, Hiroshima (JP)

| | | | | | | |
|-----------|----|---|---------|------------------|-------|-----------------------|
| D462,973 | S | * | 9/2002 | Tamaru | | D15/25 |
| D462,974 | S | * | 9/2002 | Yanagida | | D15/25 |
| 6,502,896 | B1 | * | 1/2003 | Nakata | | B60J 5/0487 16/234 |
| D474,481 | S | * | 5/2003 | Hara | | D15/25 |
| D511,531 | S | * | 11/2005 | Sewell | | D15/24 |
| D518,071 | S | * | 3/2006 | Gwak | | D15/24 |
| D527,027 | S | * | 8/2006 | Smith | | D15/24 |
| D538,304 | S | * | 3/2007 | Uemura | | D15/25 |
| D561,785 | S | * | 2/2008 | Imashige | | D15/24 |
| D576,180 | S | * | 9/2008 | Kuwae | | D15/25 |
| D609,252 | S | * | 2/2010 | Shimada | | D15/24 |
| D633,926 | S | * | 3/2011 | Shimada | | D15/24 |
| D679,734 | S | | 4/2013 | Tsukamoto et al. | | |

(73) Assignee: **KOBELCO CONSTRUCTION MACHINERY CO., LTD.**,
Hiroshima-Shi (JP)

* cited by examiner

(**) Term: **14 Years**

Primary Examiner — Mark Goodwin

(21) Appl. No.: **29/497,331**

(74) *Attorney, Agent, or Firm* — Birch, Stewart, Kolasch & Birch, LLP

(22) Filed: **Jul. 23, 2014**

(57) **CLAIM**

The ornamental design for a power shovel, as shown and described.

(30) **Foreign Application Priority Data**

DESCRIPTION

Jan. 24, 2014 (JP) 2014-001290
Jan. 24, 2014 (JP) 2014-001291

FIG. 1 is a perspective view of a power shovel showing our new design;

(51) **LOC (10) Cl.** **12-09**

FIG. 2 is a second perspective view thereof;

(52) **U.S. Cl.**
USPC **D15/24; D15/25**

FIG. 3 is a front view thereof;

(58) **Field of Classification Search**
USPC D15/10, 22-26, 28, 30; 180/89.1,
180/89.12, 89.13, 900, 9.1, 9.2, 9.62;
37/379; 414/694, 699, 722-724, 660,
414/685, 698, 719, 743

FIG. 4 is a rear view thereof;

FIG. 5 is a left side view thereof;

FIG. 6 is a right side view thereof;

FIG. 7 is a top view thereof;

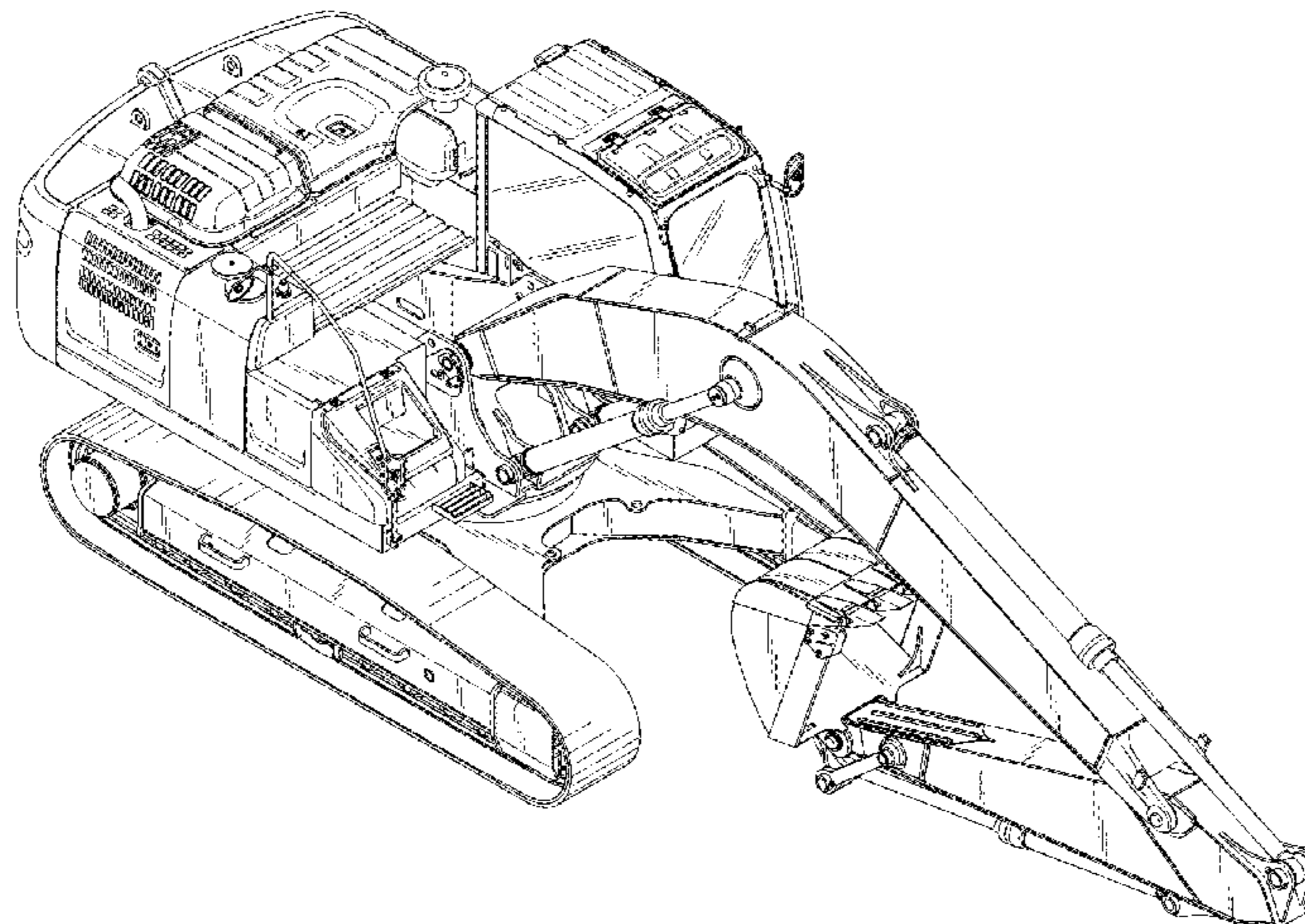
FIG. 8 is a bottom view thereof;

FIG. 9 is an enlarged left side view thereof; and,

FIG. 10 is an enlarged right side view thereof.

See application file for complete search history.

1 Claim, 9 Drawing Sheets



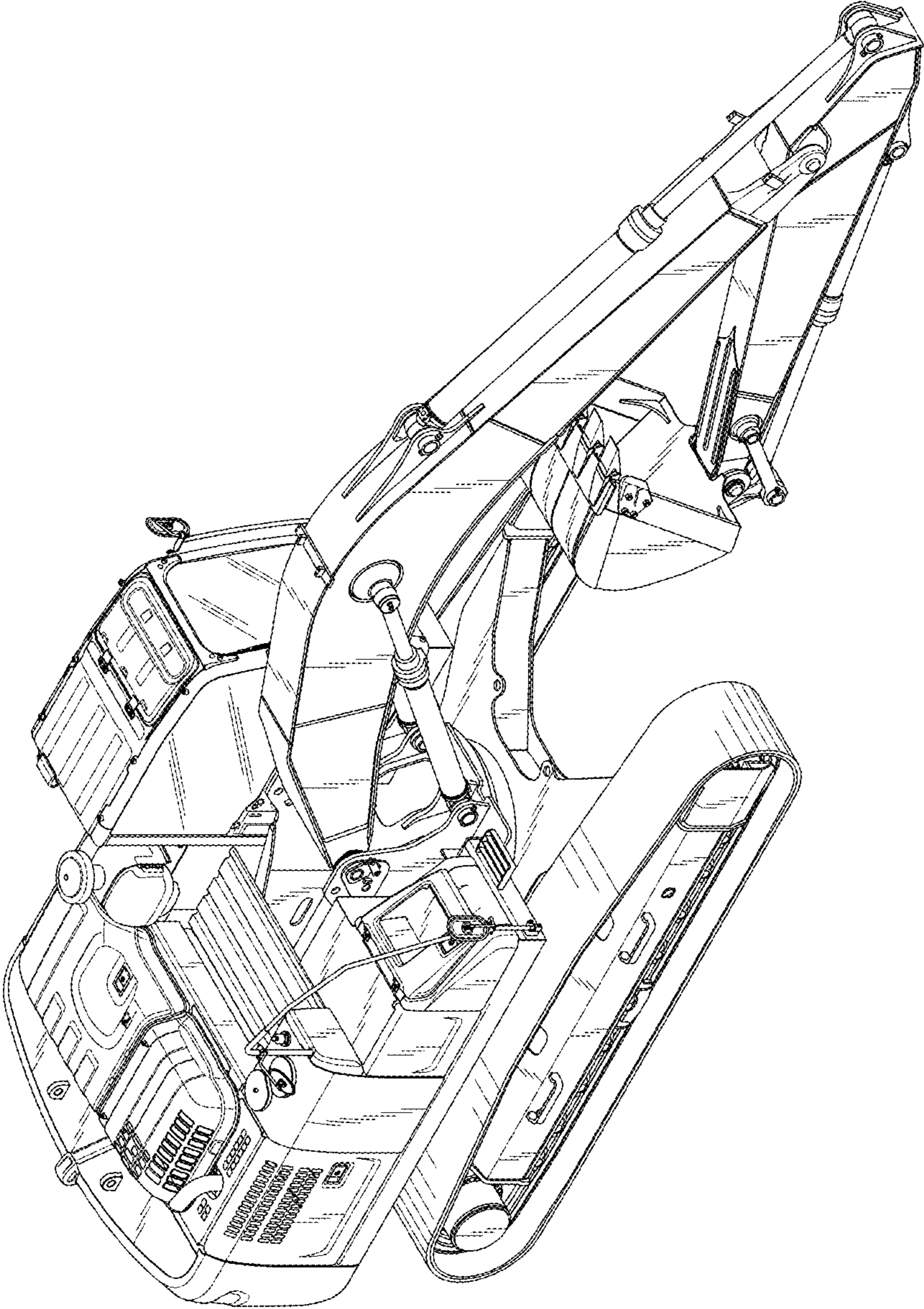


FIG. 1

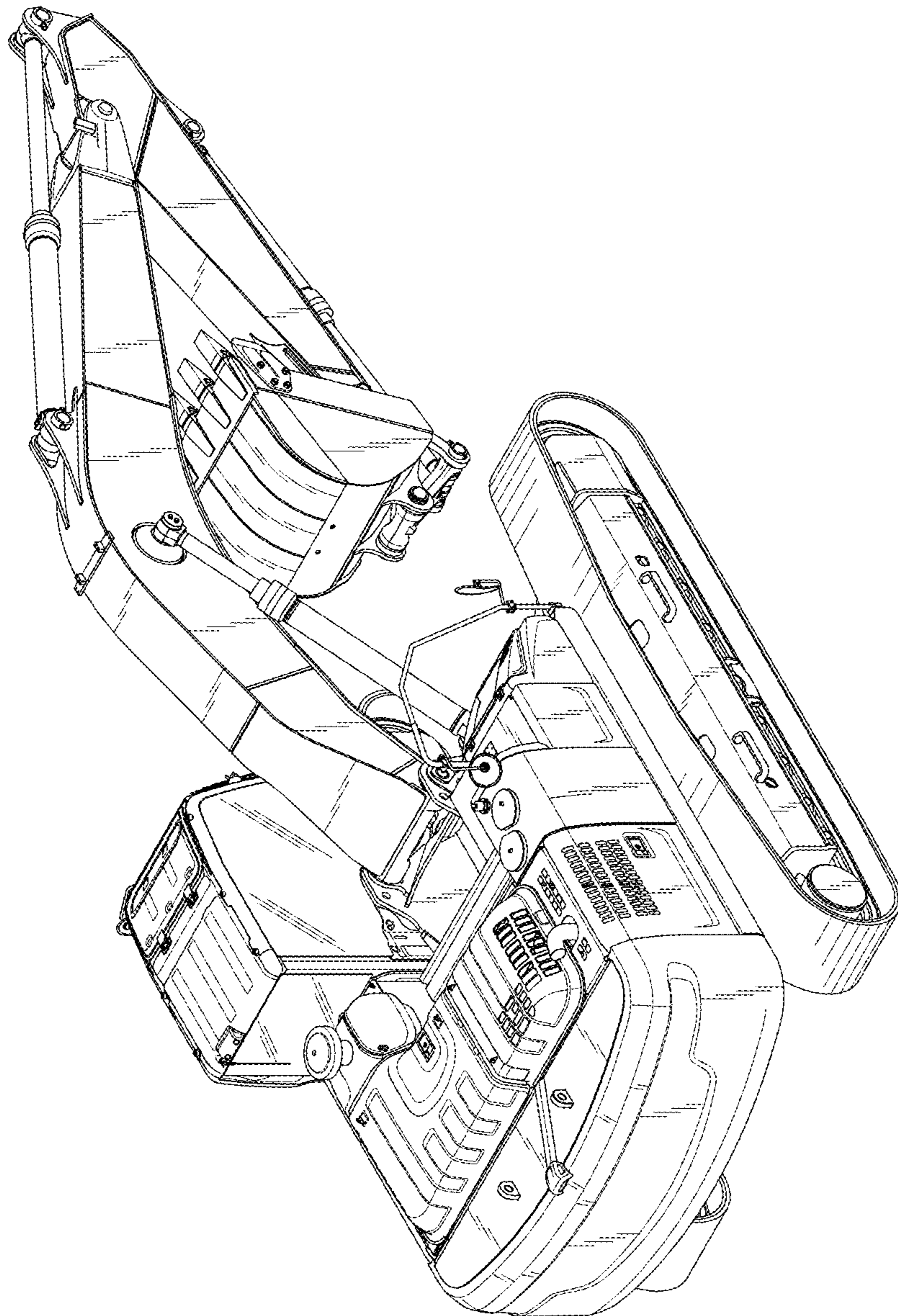


FIG. 2

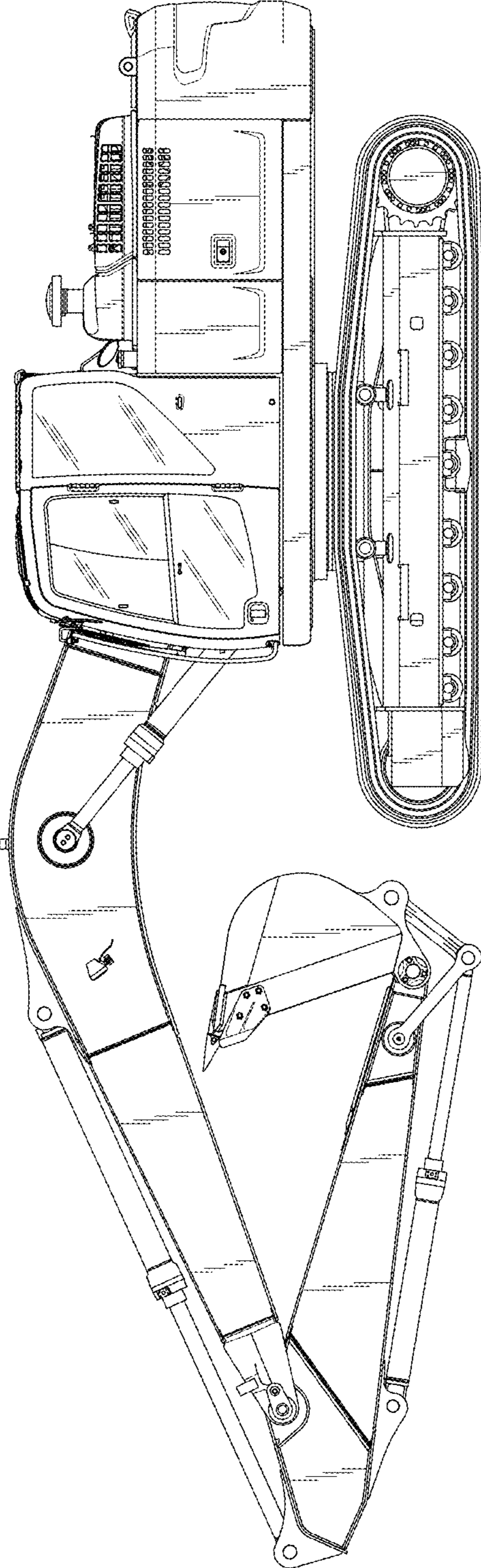


FIG. 3

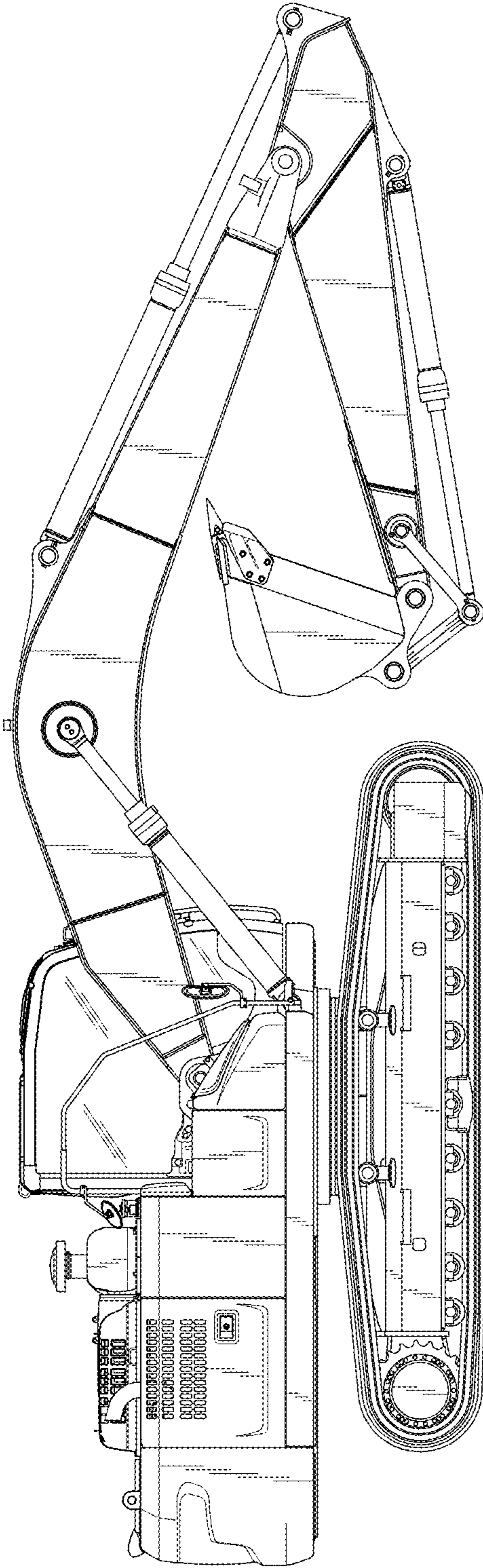


FIG. 4

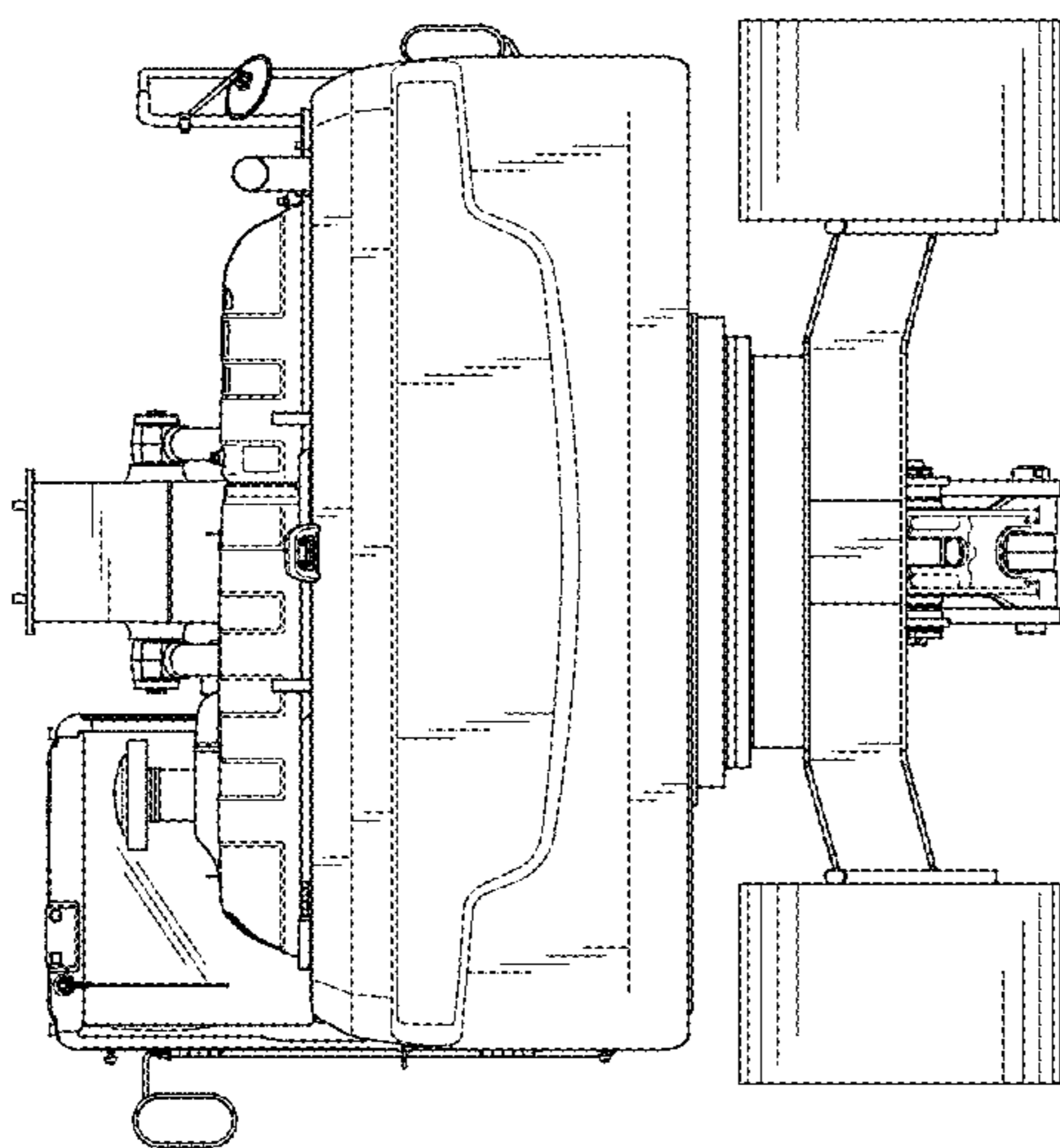


FIG. 5

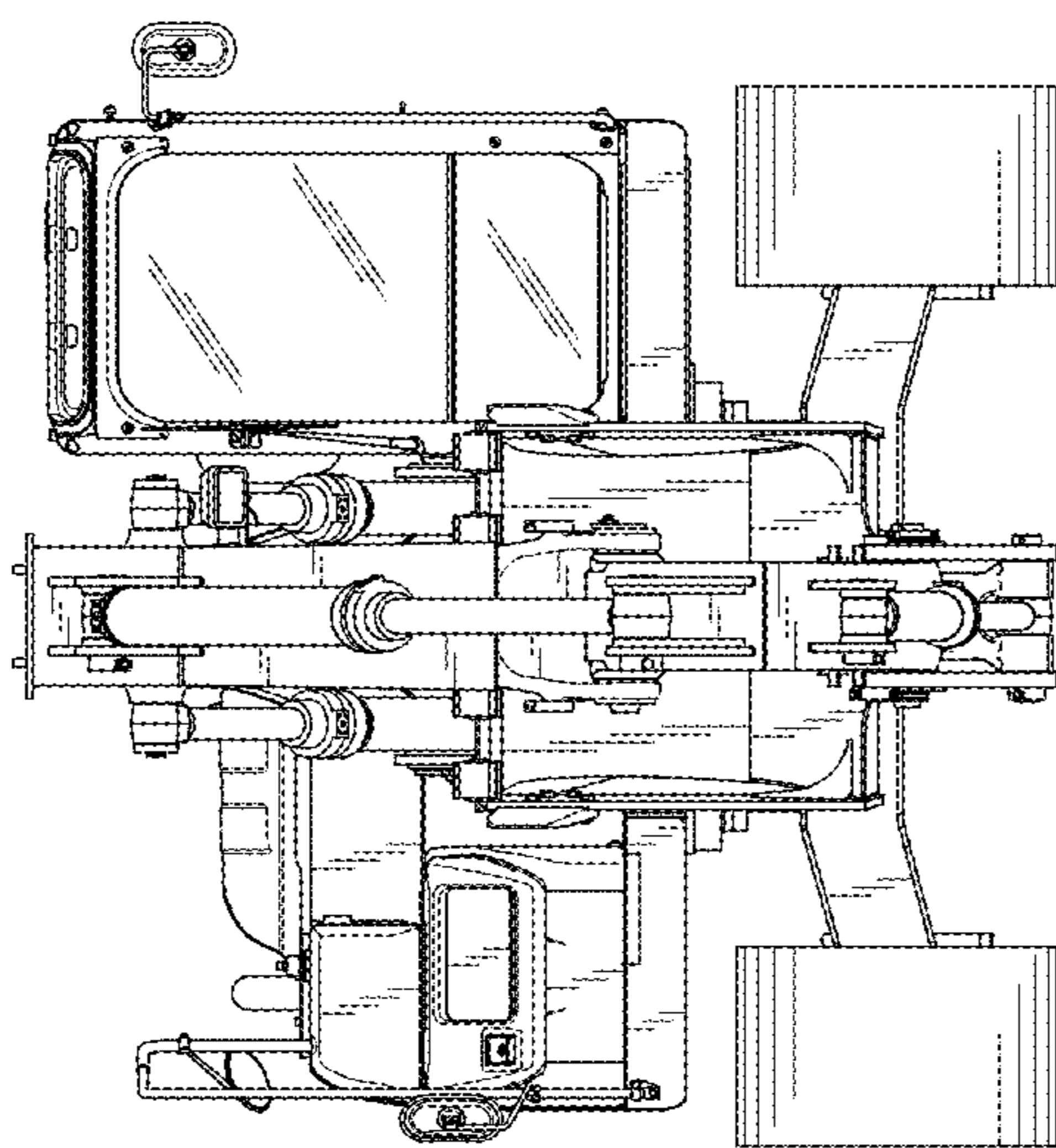


FIG. 6

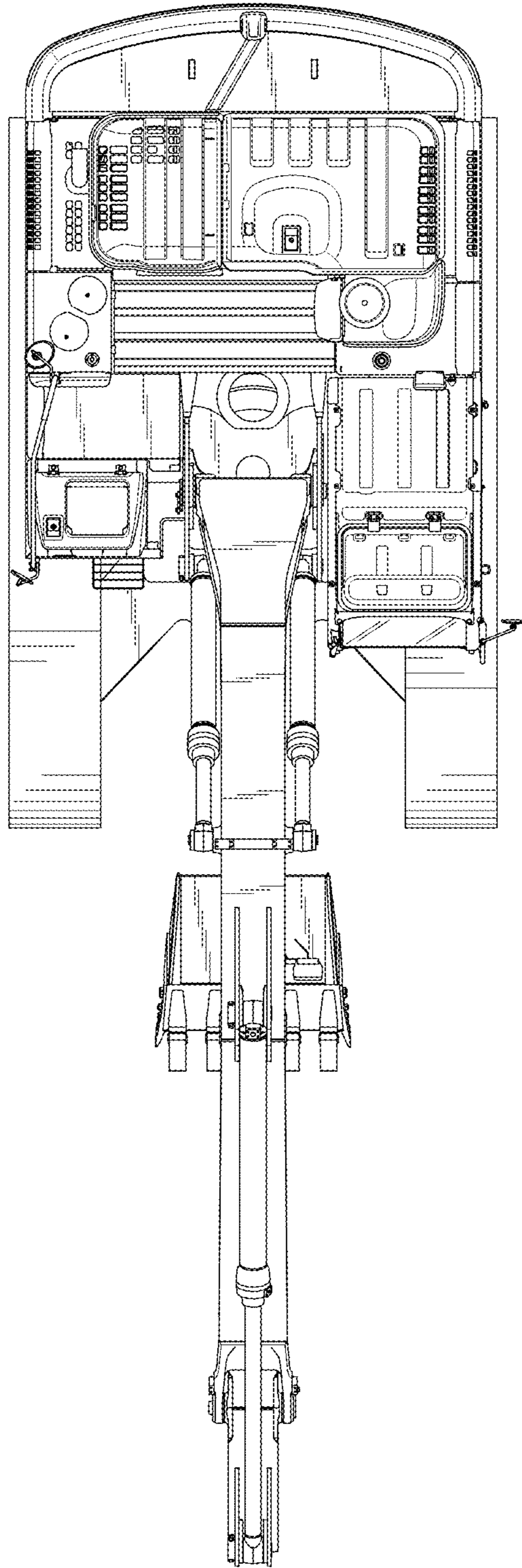


FIG. 7

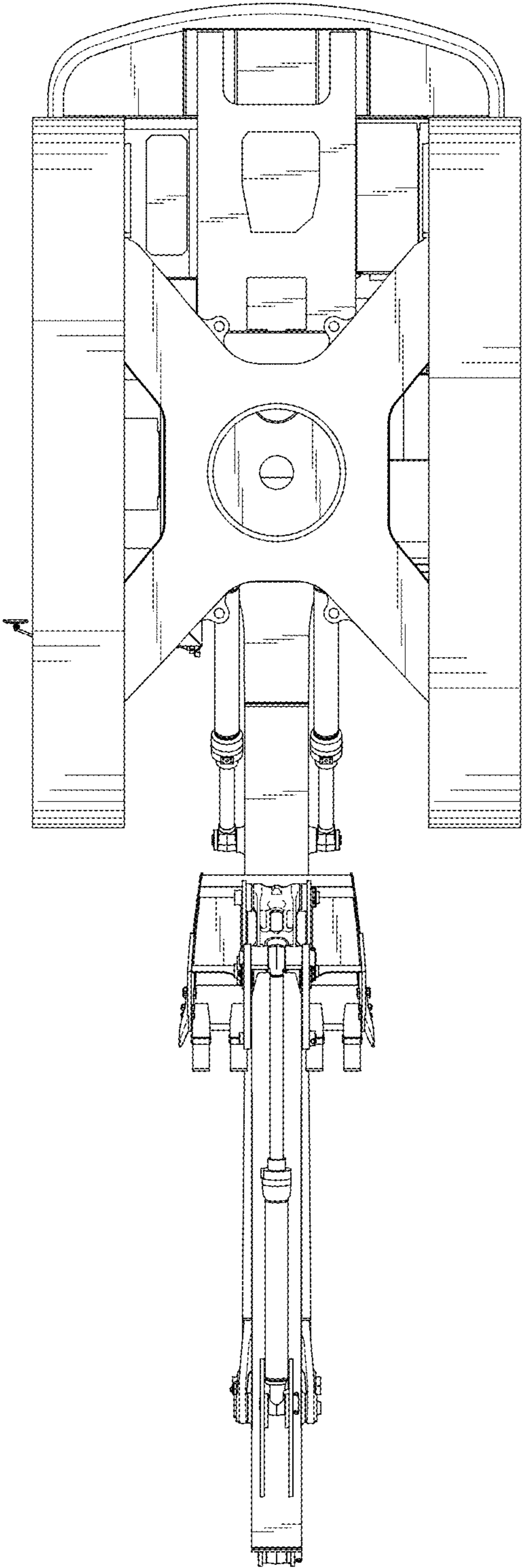


FIG. 8

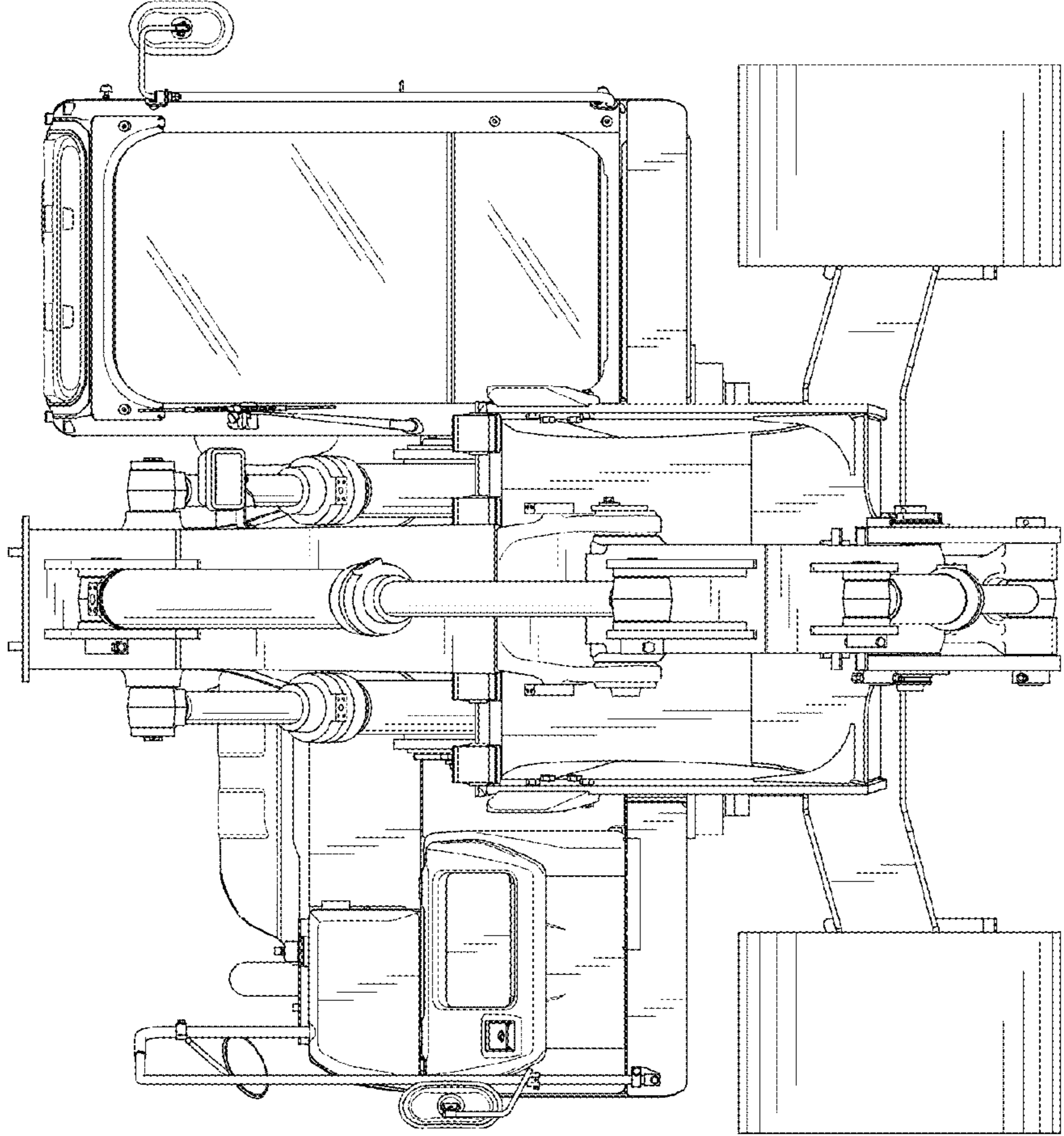


FIG. 9

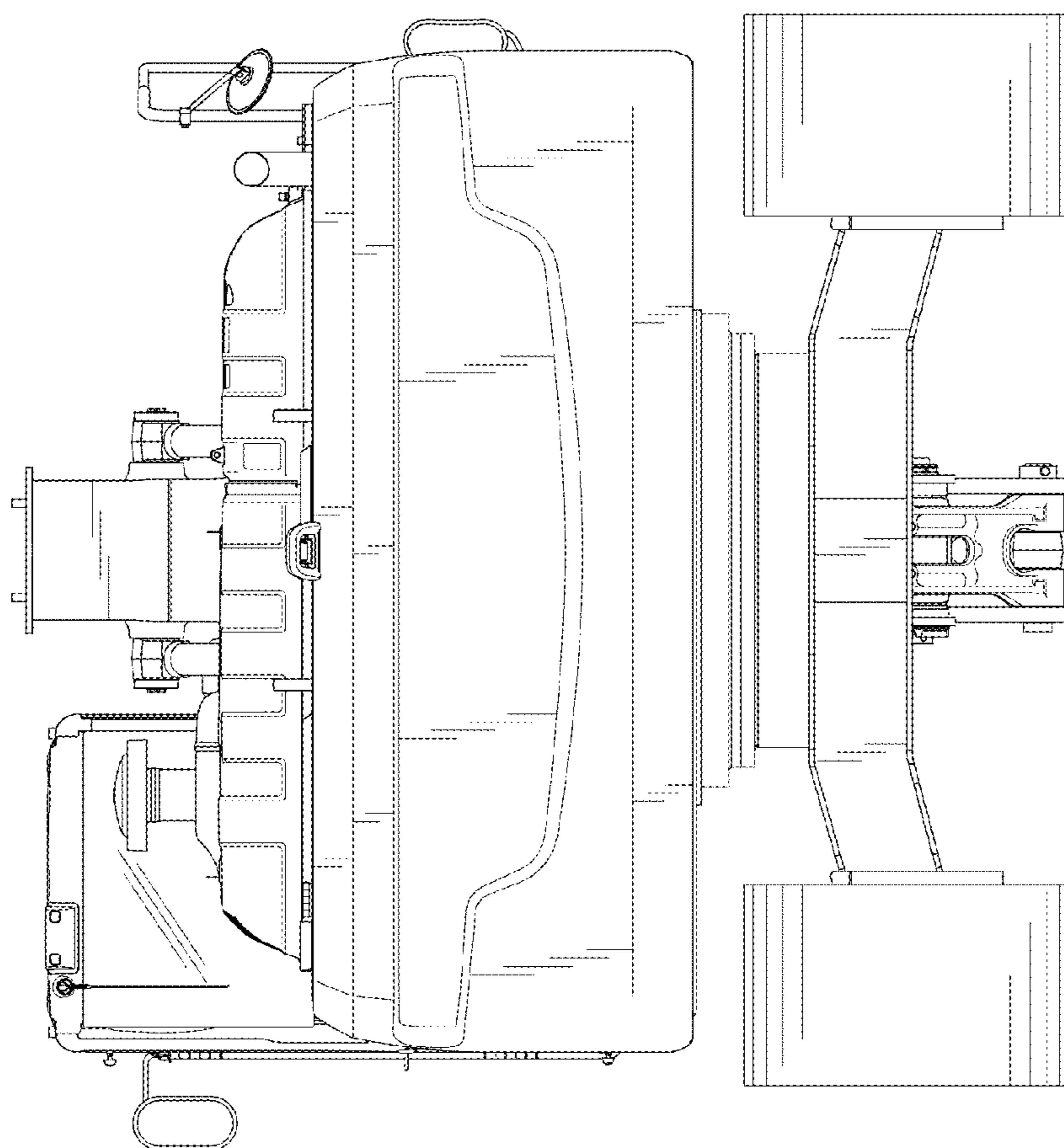


FIG. 10