



US00D759126S

(12) **United States Design Patent**  
**Johnson et al.**

(10) **Patent No.:** **US D759,126 S**  
(45) **Date of Patent:** **\*\* Jun. 14, 2016**

(54) **DISC MOWER BLADE**

FOREIGN PATENT DOCUMENTS

(71) Applicants: **Keith A. Johnson**, Kewaskum, WI (US);  
**Neal J. Stoffel**, Campbellsport, WI (US)

DE 38 26 984 A1 3/1989  
FR 2 686 030 A1 7/1993

(Continued)

(72) Inventors: **Keith A. Johnson**, Kewaskum, WI (US);  
**Neal J. Stoffel**, Campbellsport, WI (US)

OTHER PUBLICATIONS

(73) Assignee: **Kondex Corporation**, Lomira, WI (US)

International Standard, ISO 5718, Harvesting Equipment—Blades for Agricultural Rotary Mowers—Requirements; Jul. 15, 2002; 10 pages; First Edition.

(\*\*) Term: **14 Years**

(Continued)

(21) Appl. No.: **29/522,879**

*Primary Examiner* — Mark Goodwin

(22) Filed: **Apr. 3, 2015**

(74) *Attorney, Agent, or Firm* — Reinhart Boerner Van Deuren P.C.

**Related U.S. Application Data**

(57) **CLAIM**

We claim the ornamental design for the disc mower blade, as shown and described.

(63) Continuation of application No. 13/670,643, filed on Nov. 7, 2012, now abandoned.

**DESCRIPTION**

(51) **LOC (10) Cl.** ..... **15-03**

(52) **U.S. Cl.**

USPC ..... **D15/17**

(58) **Field of Classification Search**

USPC ..... D15/14–18, 32; D8/20; 30/347, 276,  
30/390; 56/295, 255, 289, 13.4, 17.5,  
56/DIG. 19, DIG. 20

CPC ..... A01D 34/005; A01D 34/73; A01D 34/13;  
A01D 34/40; A01D 34/10; A01D 34/733;  
A01D 34/52; A01D 34/42; A01D 34/00;  
A01D 34/826; A01D 34/664; A01D 34/736;  
A01D 34/66; A01D 2101/00; Y10S 56/20;  
Y10S 56/17

See application file for complete search history.

FIG. 1 is a top front perspective view of a disc mower blade according to a first embodiment of the present design;

FIG. 2 is a top back perspective view of the disc mower blade of FIG. 1;

FIG. 3 is a left side view of the disc mower blade of FIG. 1;

FIG. 4 is a right side view of the disc mower blade of FIG. 1;

FIG. 5 is a top view of the disc mower blade of FIG. 1;

FIG. 6 is a bottom side view of the disc mower blade of FIG. 1;

FIG. 7 is a back view of the disc mower blade of FIG. 1;

FIG. 8 is a front view of the disc mower blade of FIG. 1;

FIG. 9 is a front view of a disc mower blade according to a second embodiment of the present design;

FIG. 10 is a back view of the disc mower blade of FIG. 9;

FIG. 11 is a right side view of the disc mower blade of FIG. 9;

FIG. 12 is a left side view of the disc mower blade of FIG. 9;

FIG. 13 is a top view of the disc mower blade of FIG. 9;

FIG. 14 is a bottom view of the disc mower blade of FIG. 9;

FIG. 15 is a back view of the disc mower blade of FIG. 9; and,

FIG. 16 is a front view of the disc mower blade of FIG. 9.

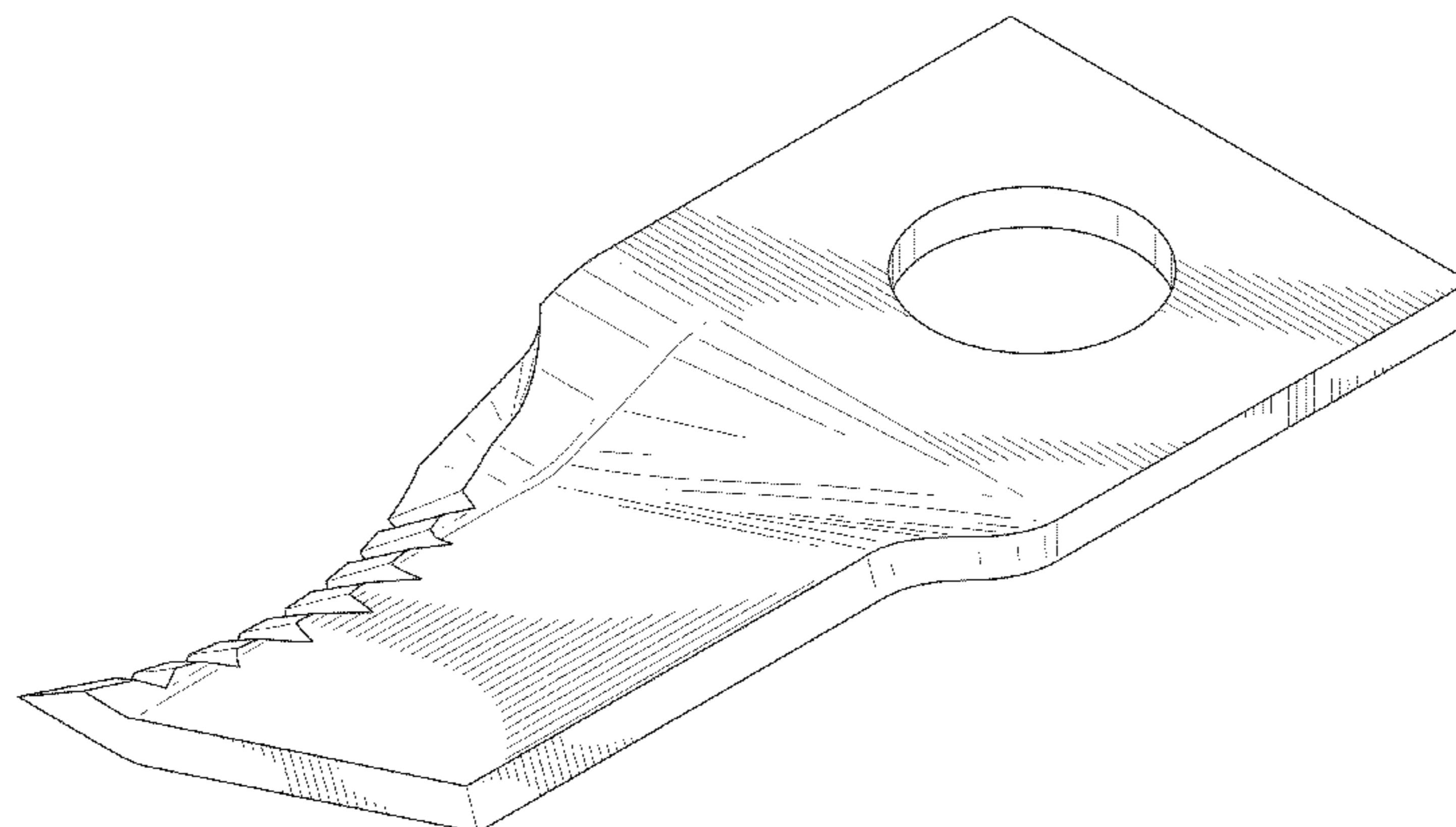
(56) **References Cited**

U.S. PATENT DOCUMENTS

693,287 A 2/1902 Von Loeper et al.  
1,407,417 A 2/1922 Huelves

(Continued)

**1 Claim, 12 Drawing Sheets**



(56)

References Cited

U.S. PATENT DOCUMENTS

2,654,986 A \* 10/1953 Gold ..... A01D 34/736  
241/194

2,850,862 A 9/1958 Asbury

2,869,311 A 1/1959 Beeston, Jr.

3,022,621 A 8/1959 Zavarella

3,214,896 A 11/1965 Watkins et al.

3,320,733 A \* 5/1967 Kirk ..... A01D 34/63  
56/295

3,447,291 A 6/1969 Guetterman

3,452,524 A 7/1969 Guetterman

3,482,380 A 12/1969 Stair

3,715,874 A 2/1973 Goserud

3,949,541 A 4/1976 Henry

3,998,037 A 12/1976 Deans et al.

4,062,171 A \* 12/1977 Rose ..... A01D 34/736  
56/295

D248,474 S \* 7/1978 Oosterling ..... D15/29

4,532,708 A 8/1985 Mensing

4,765,127 A 8/1988 Hamblen

4,779,407 A 10/1988 Pattee

4,815,264 A 3/1989 Mijnders

4,995,228 A 2/1991 Hladik, Jr.

5,094,065 A 3/1992 Azbell

5,327,710 A 7/1994 Plamper et al.

5,343,681 A \* 9/1994 de Jong ..... A01D 34/736  
56/255

5,452,569 A 9/1995 Anderson

5,561,972 A 10/1996 Rolfe

5,622,035 A \* 4/1997 Kondo ..... A01D 34/733  
30/276

5,711,141 A 1/1998 Pitman et al.

5,722,172 A \* 3/1998 Walden ..... A01D 37/736  
30/276

5,778,647 A 7/1998 McLean et al.

5,782,071 A 7/1998 Lehman et al.

5,899,053 A 5/1999 Roth

5,918,450 A 7/1999 Cox

5,953,893 A 9/1999 Smith et al.

6,112,416 A \* 9/2000 Bridges ..... A01D 34/733  
30/276

D440,580 S 4/2001 Cooper et al.

D449,054 S \* 10/2001 Neuerburg ..... D15/17

6,393,811 B2 5/2002 Neuerburg

D458,279 S 6/2002 Blakeslee et al.

6,427,341 B1 8/2002 Lee

D462,702 S \* 9/2002 Neuerburg ..... D15/28

6,487,840 B1 12/2002 Turner et al.

6,490,850 B1 12/2002 Seegert et al.

6,640,449 B1 11/2003 Hoffmann et al.

6,829,878 B1 12/2004 Hoffman

6,953,398 B1 \* 10/2005 Turner ..... A01D 34/535  
460/112

7,104,883 B2 9/2006 Dow

7,299,612 B2 11/2007 Schuyler

7,506,494 B2 \* 3/2009 Eavenson, Sr. .... A01D 34/733  
56/17.5

D598,475 S 8/2009 Roth

D633,110 S \* 2/2011 Neuerburg ..... D15/17

8,857,137 B2 10/2014 Avnery

2001/0004826 A1 6/2001 Neuerburg

2002/0066263 A1 \* 6/2002 Megli ..... A01D 34/736  
56/295

2002/0194829 A1 \* 12/2002 Petersen ..... A01D 34/733  
56/255

2003/0101706 A1 6/2003 Kenny

2003/0196332 A1 10/2003 Harris et al.

2005/0050738 A1 3/2005 Harris et al.

2005/0193706 A1 \* 9/2005 Thompson ..... A01D 34/733  
56/255

2006/0021316 A1 2/2006 Harkcom

2006/0048492 A1 \* 3/2006 Harris ..... A01D 34/736  
56/255

2006/0213170 A1 9/2006 Barnett

2007/0277492 A1 12/2007 Ekis et al.

2009/0223193 A1 \* 9/2009 Funnell ..... A01D 34/73  
56/17.5

2010/0101201 A1 \* 4/2010 Yanke ..... A01D 34/733  
56/295

2011/0173940 A1 7/2011 Priepeke

2013/0128043 A1 5/2013 Avnery

FOREIGN PATENT DOCUMENTS

GB 1 477 286 A 6/1977

GB 2 061 687 A 5/1981

GB 2 369 765 A 6/2002

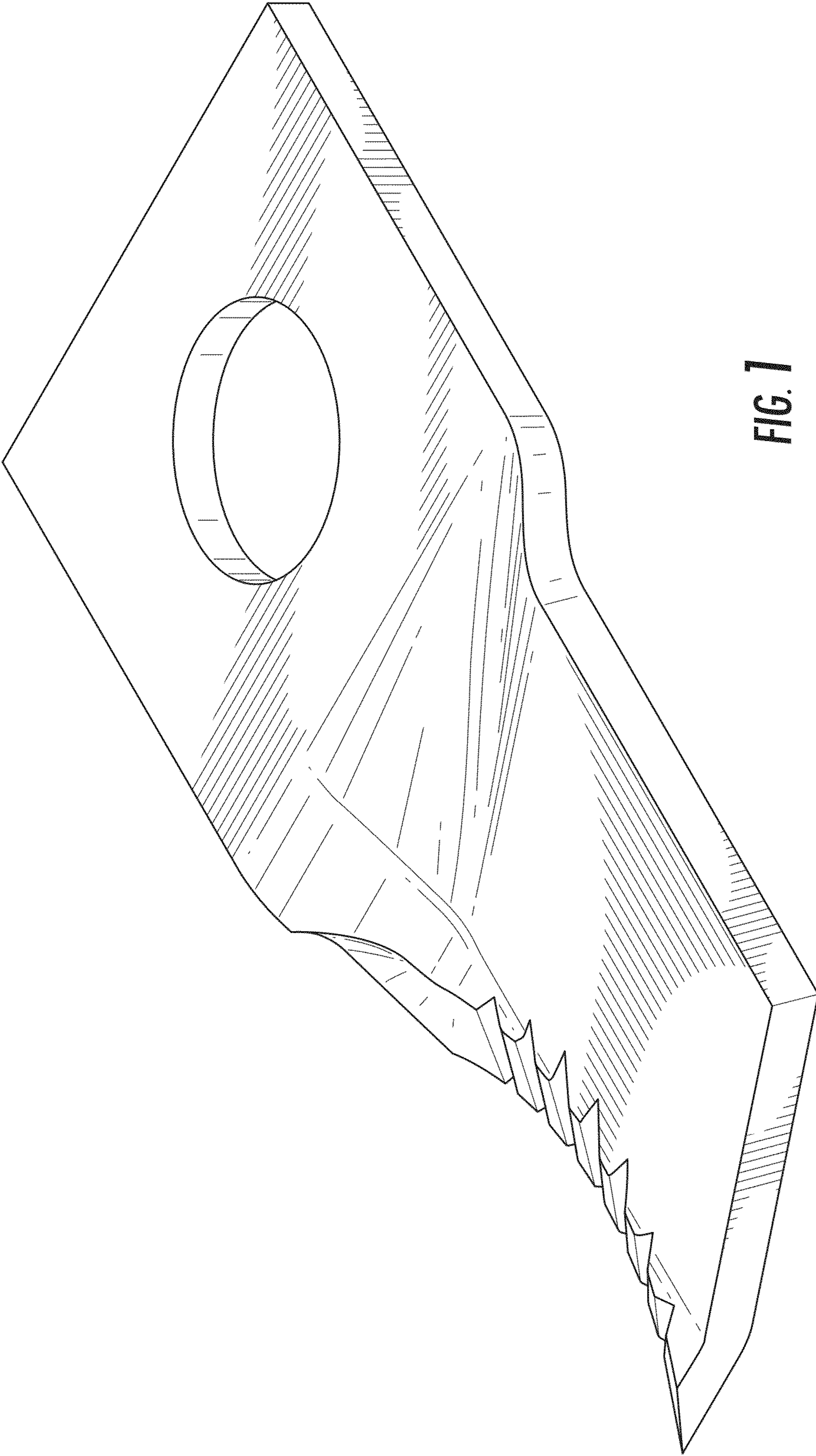
WO WO 2009/153655 A2 12/2009

OTHER PUBLICATIONS

U.S. Appl. No. 29/523,361, filed Apr. 9, 2015, Johnson et al.

U.S. Appl. No. 29/523,375, filed Apr. 9, 2015, Johnson et al.

\* cited by examiner



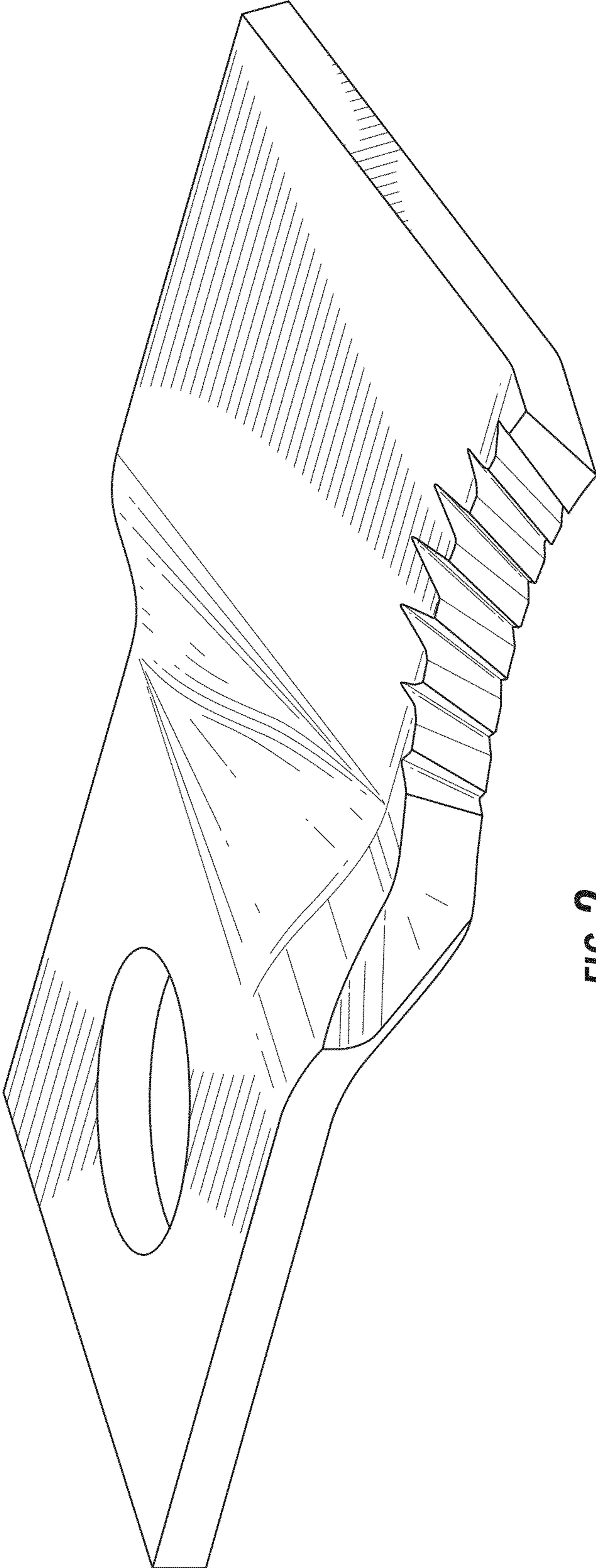
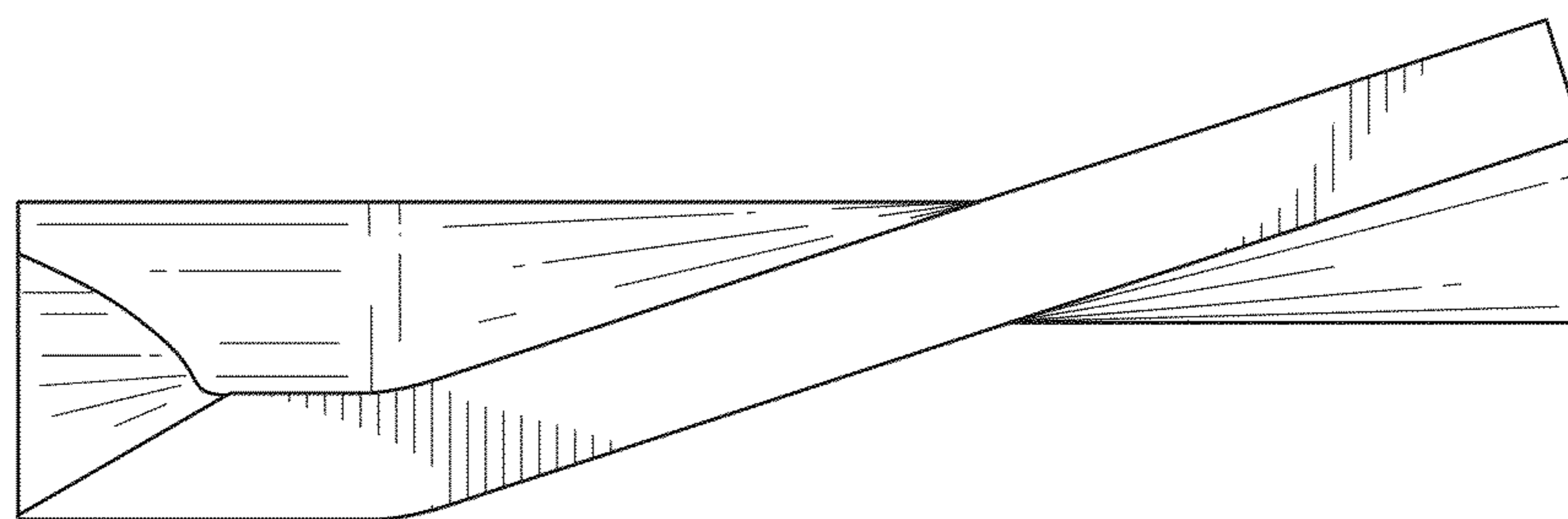
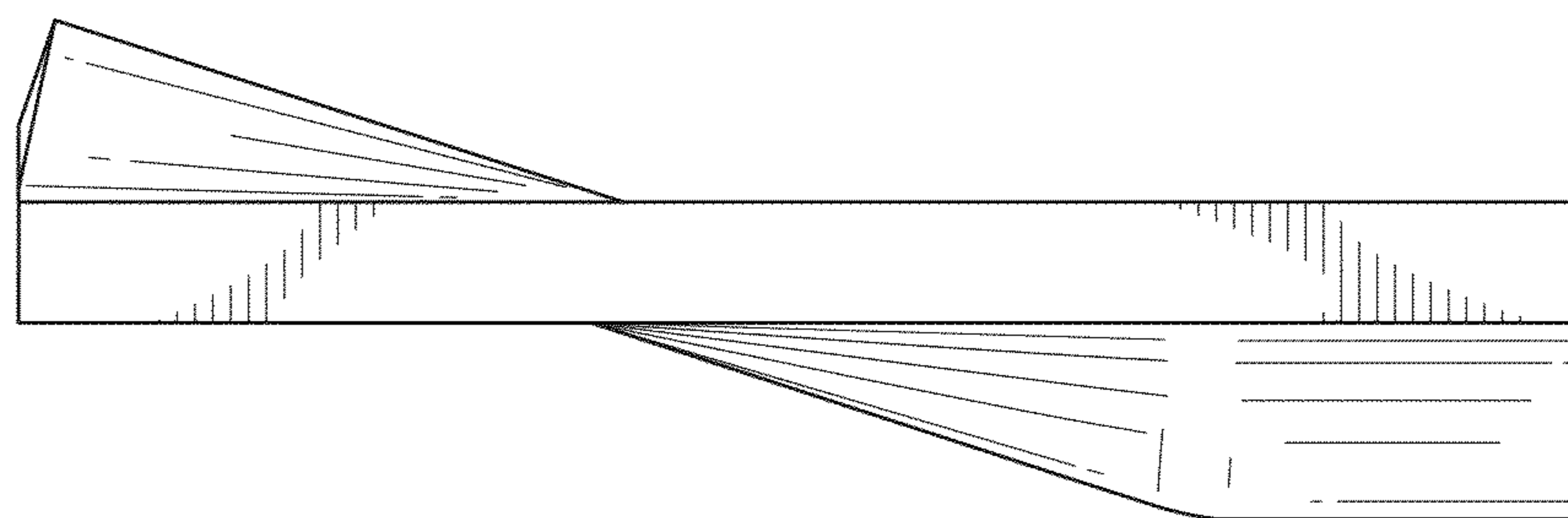


FIG. 2



**FIG. 3**



**FIG. 4**

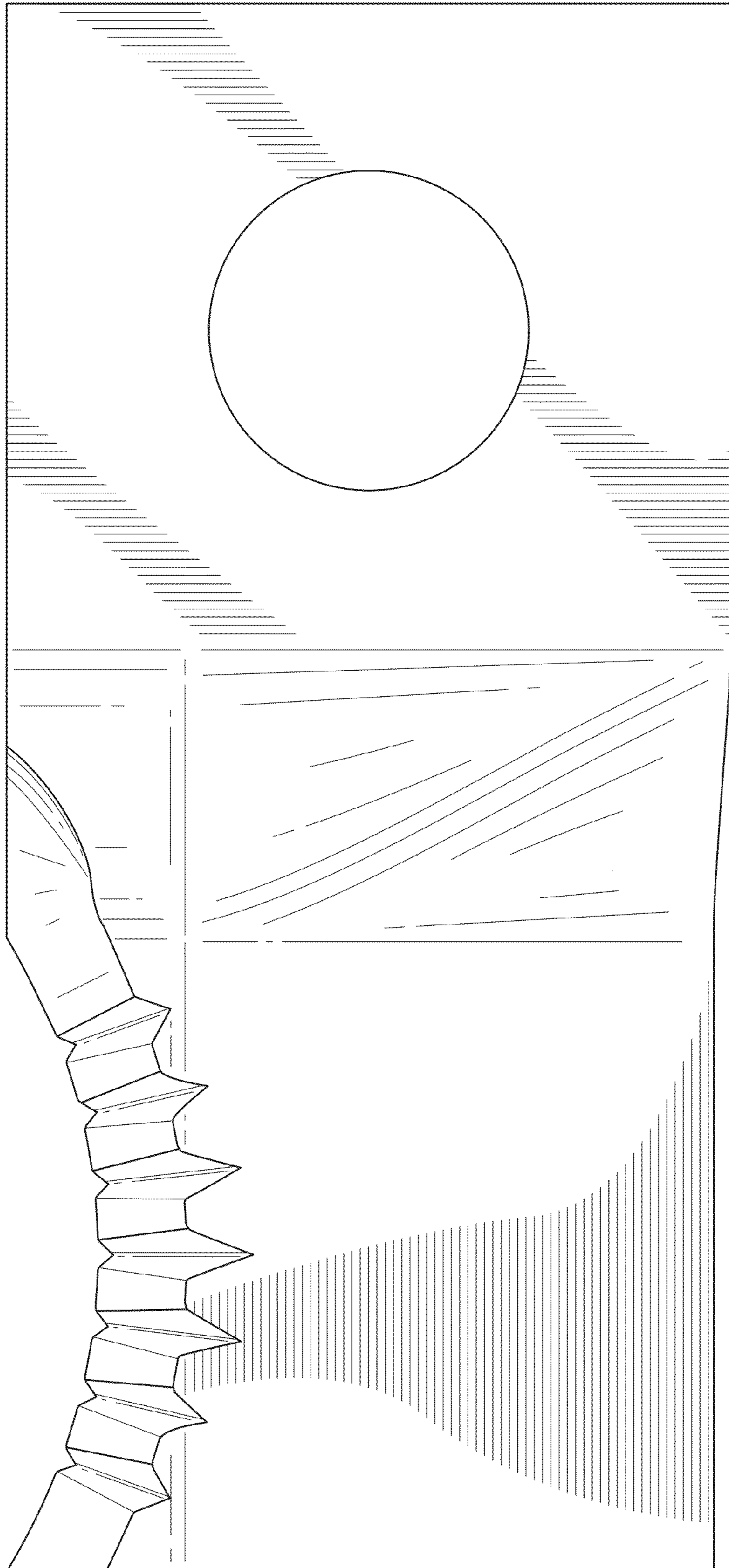


FIG. 5

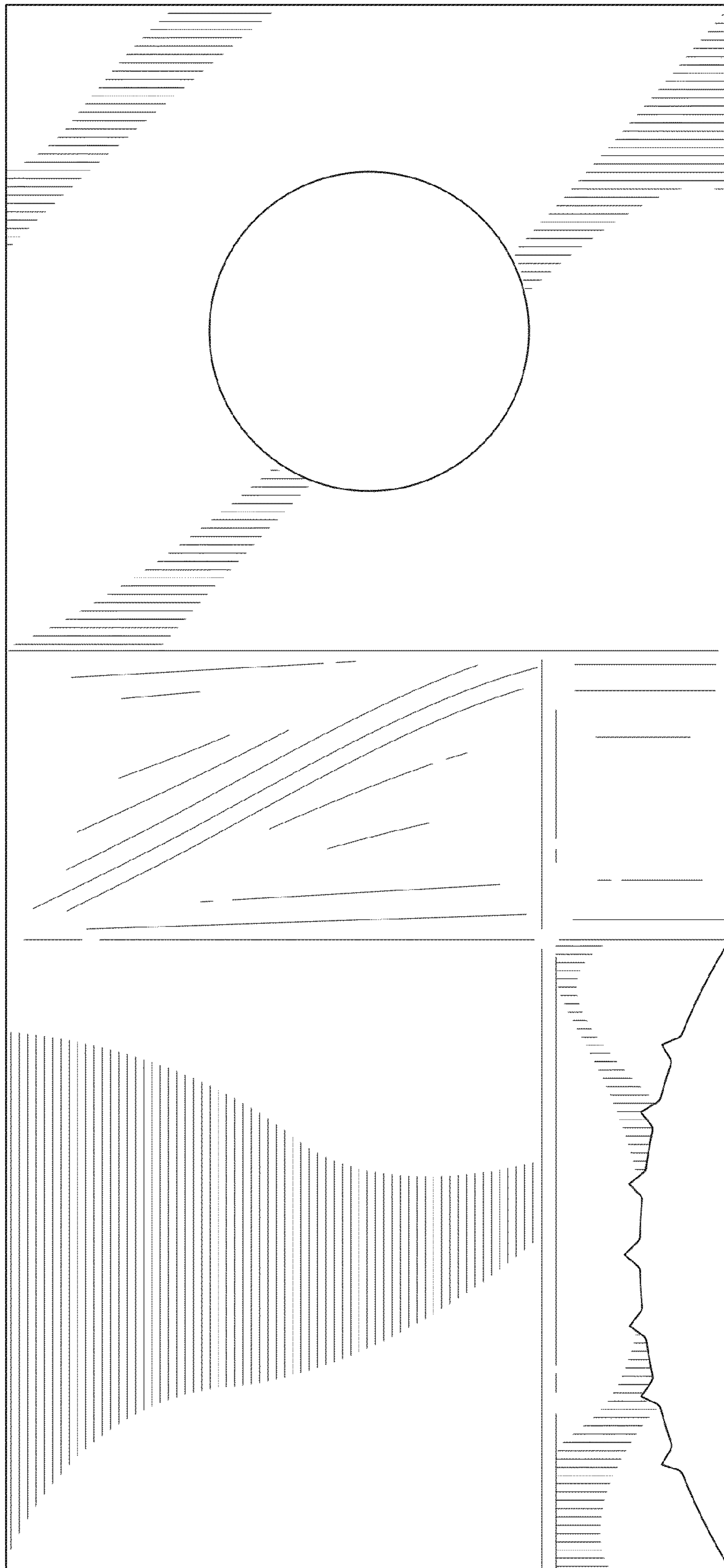
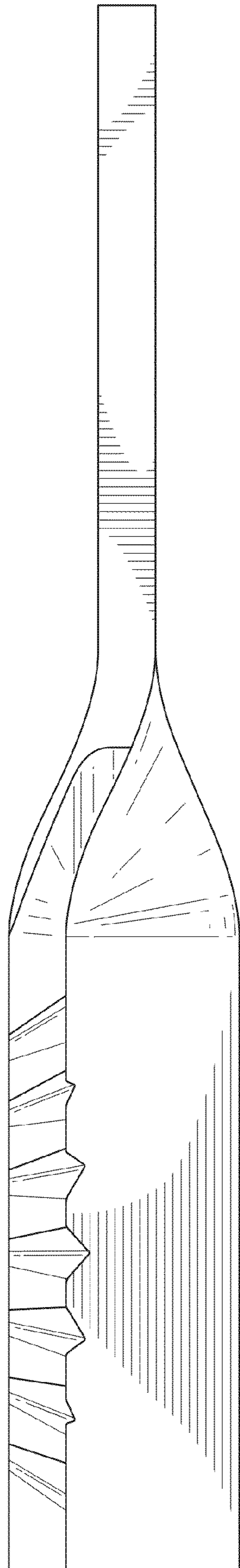
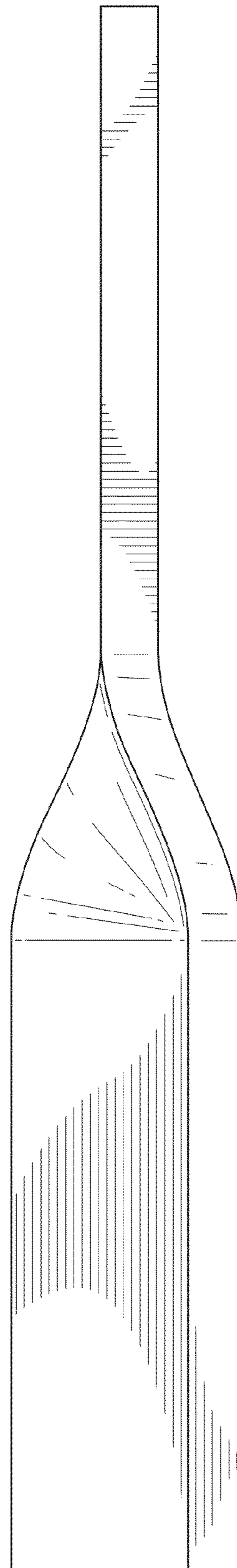


FIG. 6

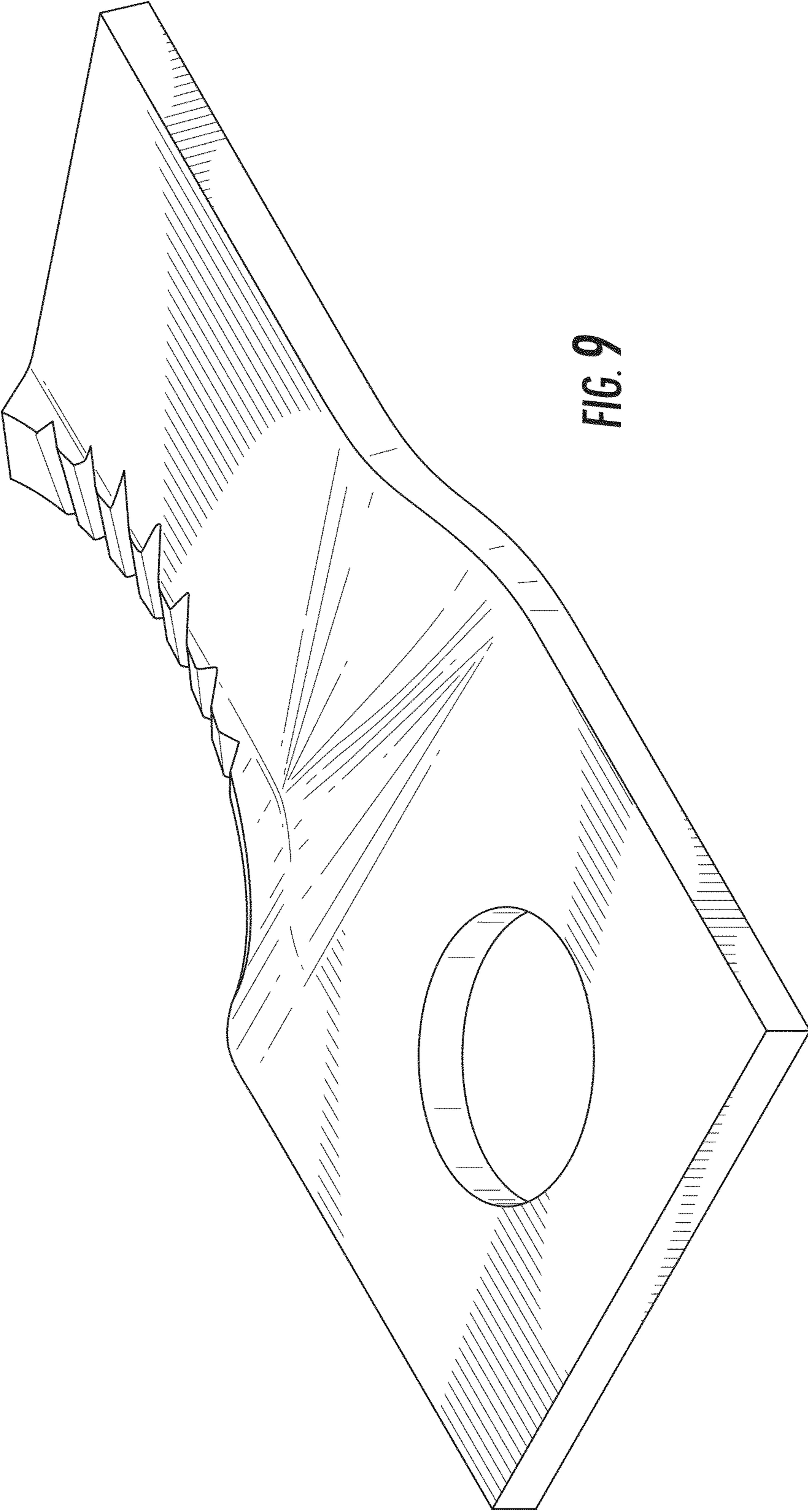


**FIG. 7**



**FIG. 8**





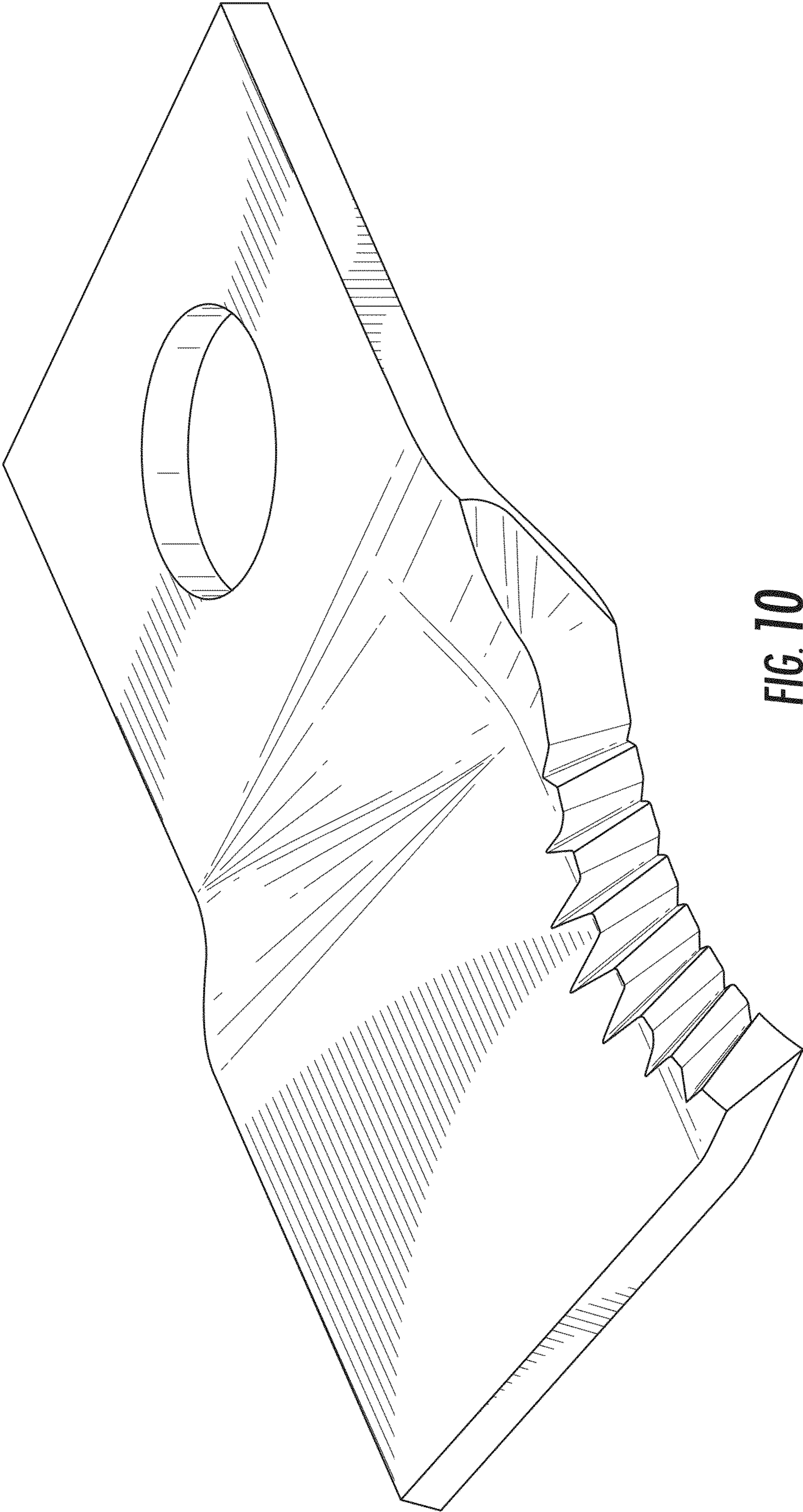
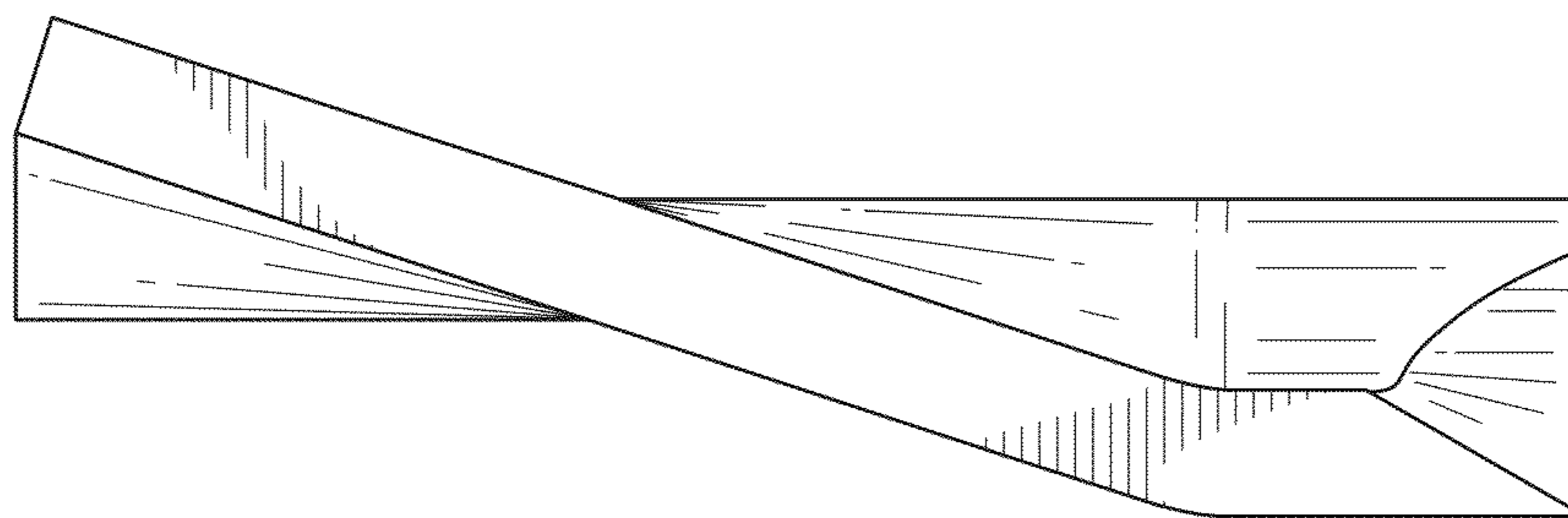
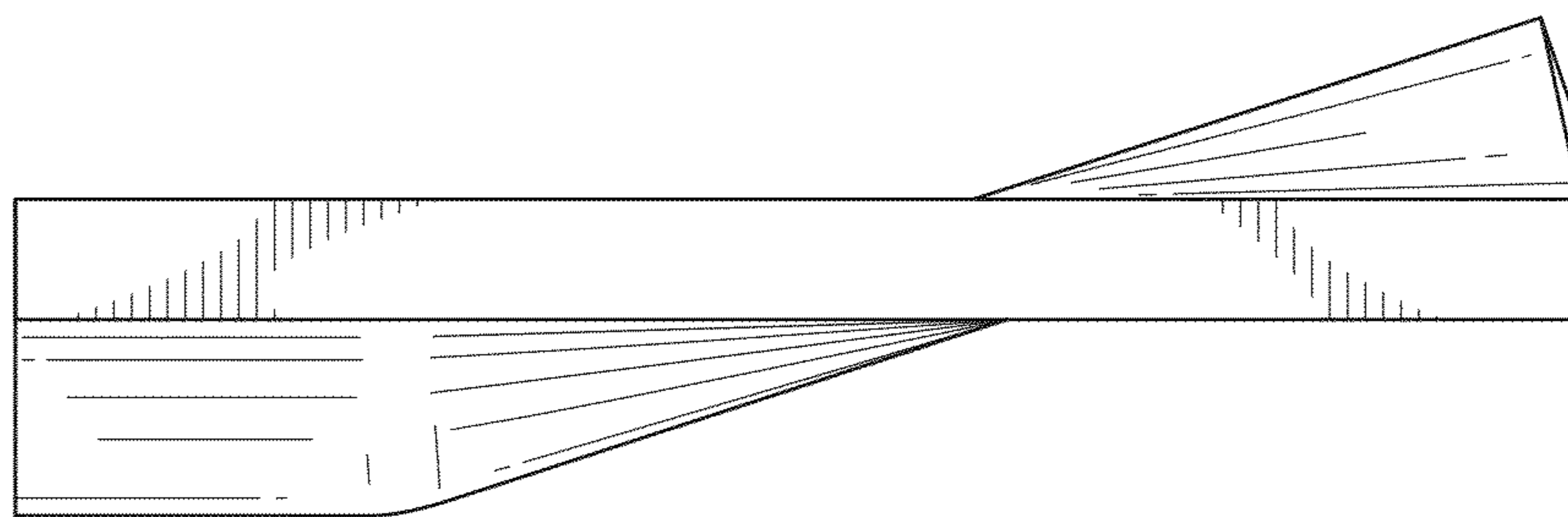


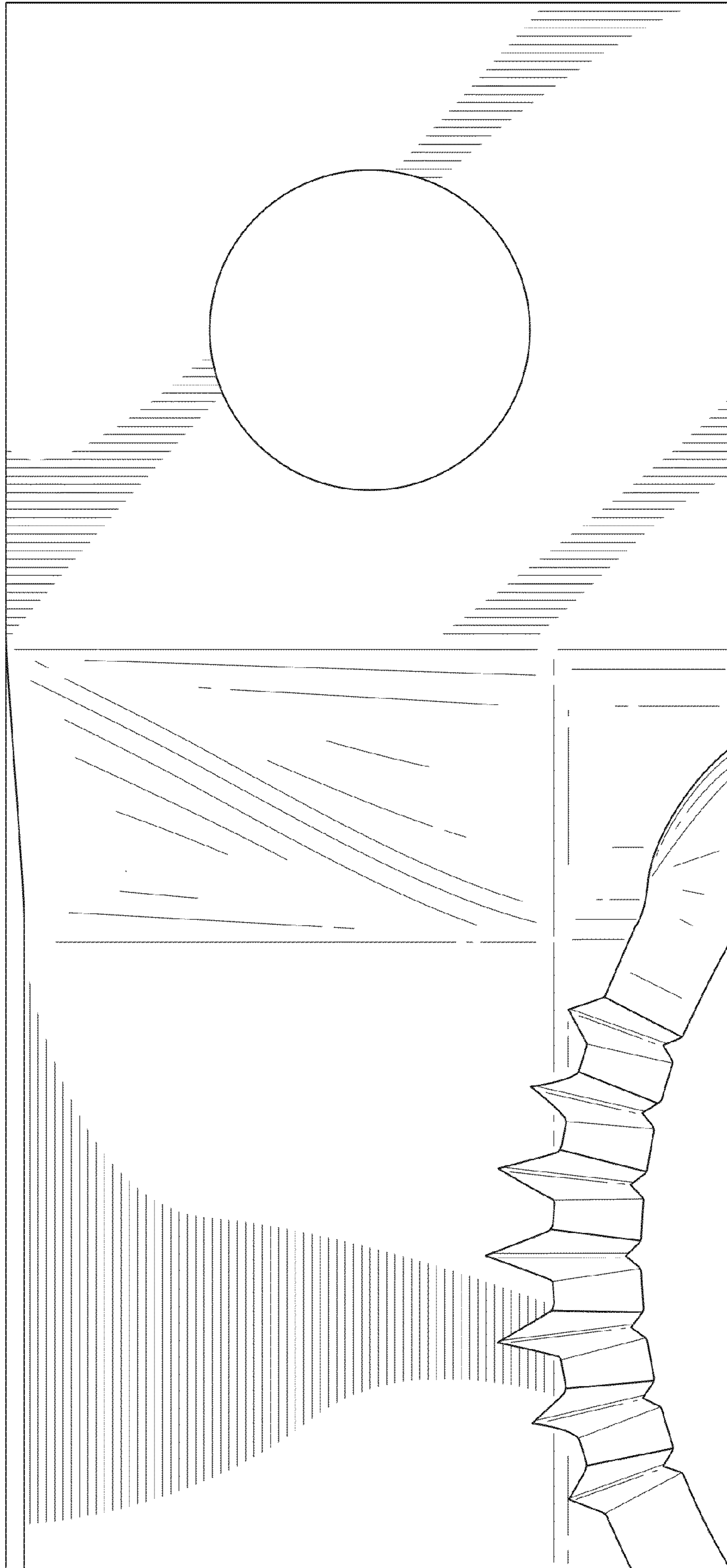
FIG. 10



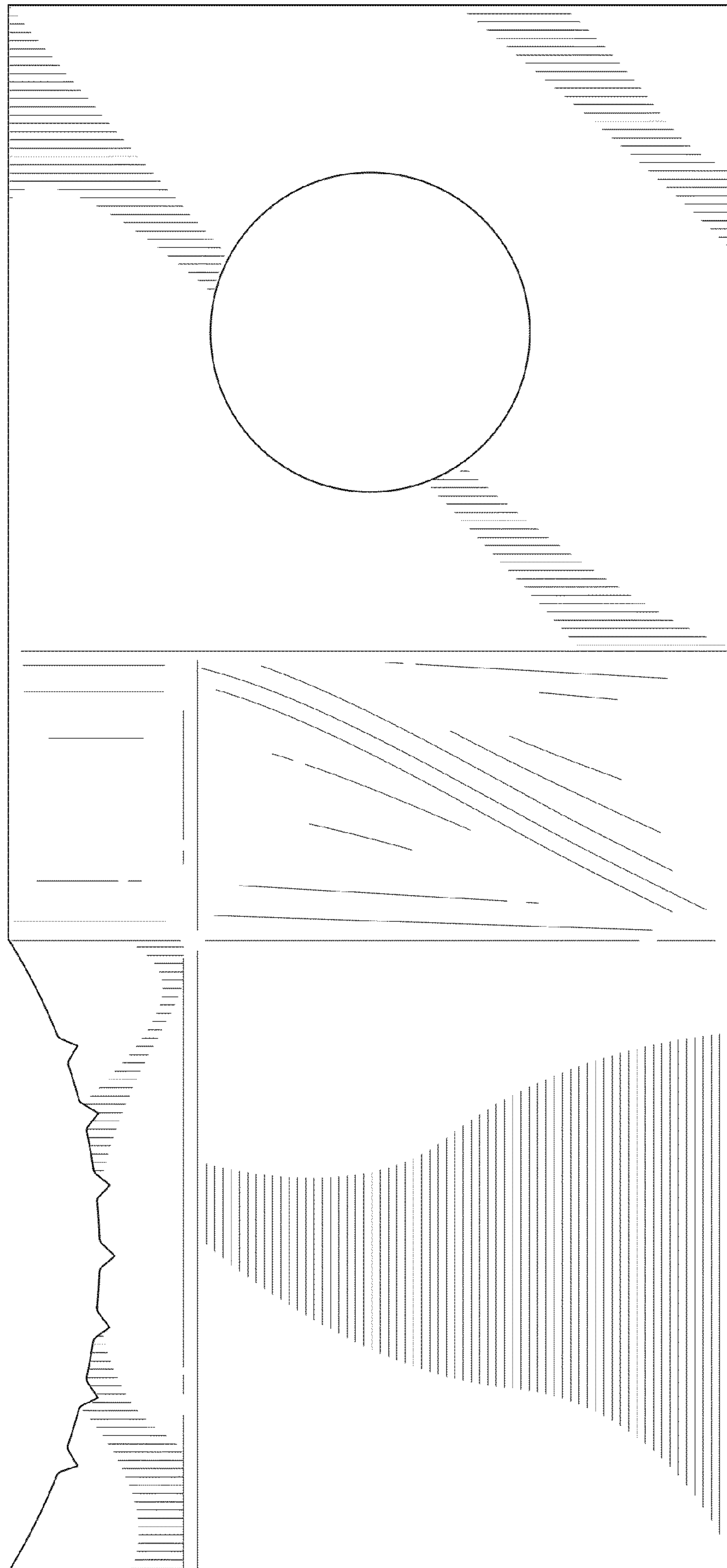
**FIG. 11**



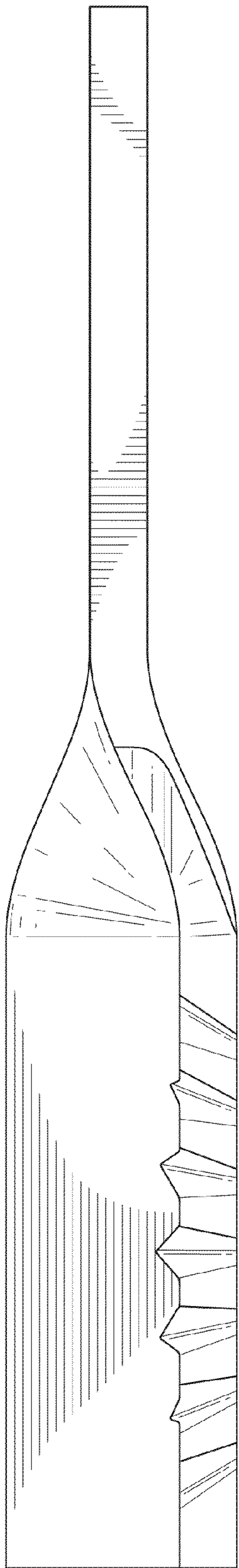
**FIG. 12**



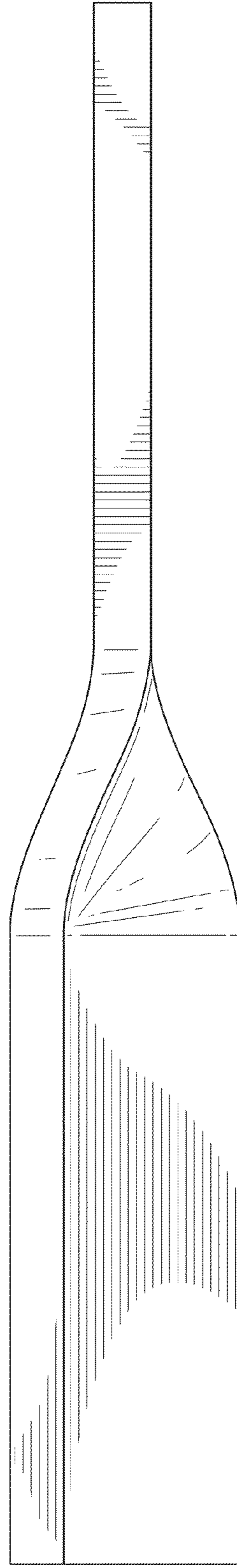
**FIG. 13**



**FIG. 14**



**FIG. 15**



**FIG. 16**