



US00D759125S

(12) **United States Design Patent**  
**Schmidt et al.**

(10) **Patent No.:** **US D759,125 S**  
(45) **Date of Patent:** **\*\* Jun. 14, 2016**

(54) **ZERO RADIUS TURN SAND GROOMING VEHICLE**

(56) **References Cited**

U.S. PATENT DOCUMENTS

(71) Applicants: **Larry W. Schmidt**, Farmington, MN (US); **Cal N. Kosieracki**, St. Louis Park, MN (US); **Andrew J. Kjolhaug**, Rosemount, MN (US); **Joseph P. Thelen**, Shakopee, MN (US); **David J. Martin**, Eden Prairie, MN (US)

|           |     |         |                    |       |             |
|-----------|-----|---------|--------------------|-------|-------------|
| 3,025,079 | A * | 3/1962  | Gouirand           | ..... | 280/124.151 |
| 3,669,467 | A * | 6/1972  | Dunlap et al.      | ..... | 280/124.116 |
| 3,705,438 | A * | 12/1972 | Stosberg et al.    | ..... | 16/35 R     |
| 3,823,781 | A   | 7/1974  | Check et al.       |       |             |
| 4,301,881 | A * | 11/1981 | Griffin            | ..... | 180/6.48    |
| 4,414,702 | A * | 11/1983 | Neumann            | ..... | 16/35 R     |
| 5,816,033 | A * | 10/1998 | Busboom et al.     | ..... | 56/10.8     |
| 5,890,545 | A   | 4/1999  | Smith et al.       |       |             |
| D512,444  | S * | 12/2005 | Ayers et al.       | ..... | D15/15      |
| 7,065,947 | B1  | 6/2006  | Street et al.      |       |             |
| D626,572  | S * | 11/2010 | Moriguchi et al.   | ..... | D15/15      |
| D681,685  | S * | 5/2013  | Higashikawa        | ..... | D15/15      |
| D715,329  | S * | 10/2014 | Higashikawa et al. | ..... | D15/17      |
| D719,980  | S * | 12/2014 | Foster             | ..... | D15/15      |

(72) Inventors: **Larry W. Schmidt**, Farmington, MN (US); **Cal N. Kosieracki**, St. Louis Park, MN (US); **Andrew J. Kjolhaug**, Rosemount, MN (US); **Joseph P. Thelen**, Shakopee, MN (US); **David J. Martin**, Eden Prairie, MN (US)

\* cited by examiner

(73) Assignee: **The Toro Company**, Bloomington, MN (US)

*Primary Examiner* — Cynthia Ramirez

(74) *Attorney, Agent, or Firm* — James W. Miller

(\*\*) Term: **14 Years**

(57) **CLAIM**

The ornamental design for a zero radius turn sand grooming vehicle, as shown and described.

(21) Appl. No.: **29/481,537**

**DESCRIPTION**

(22) Filed: **Feb. 6, 2014**

(51) **LOC (10) Cl.** ..... **15-03**

(52) **U.S. Cl.**  
USPC ..... **D15/15**

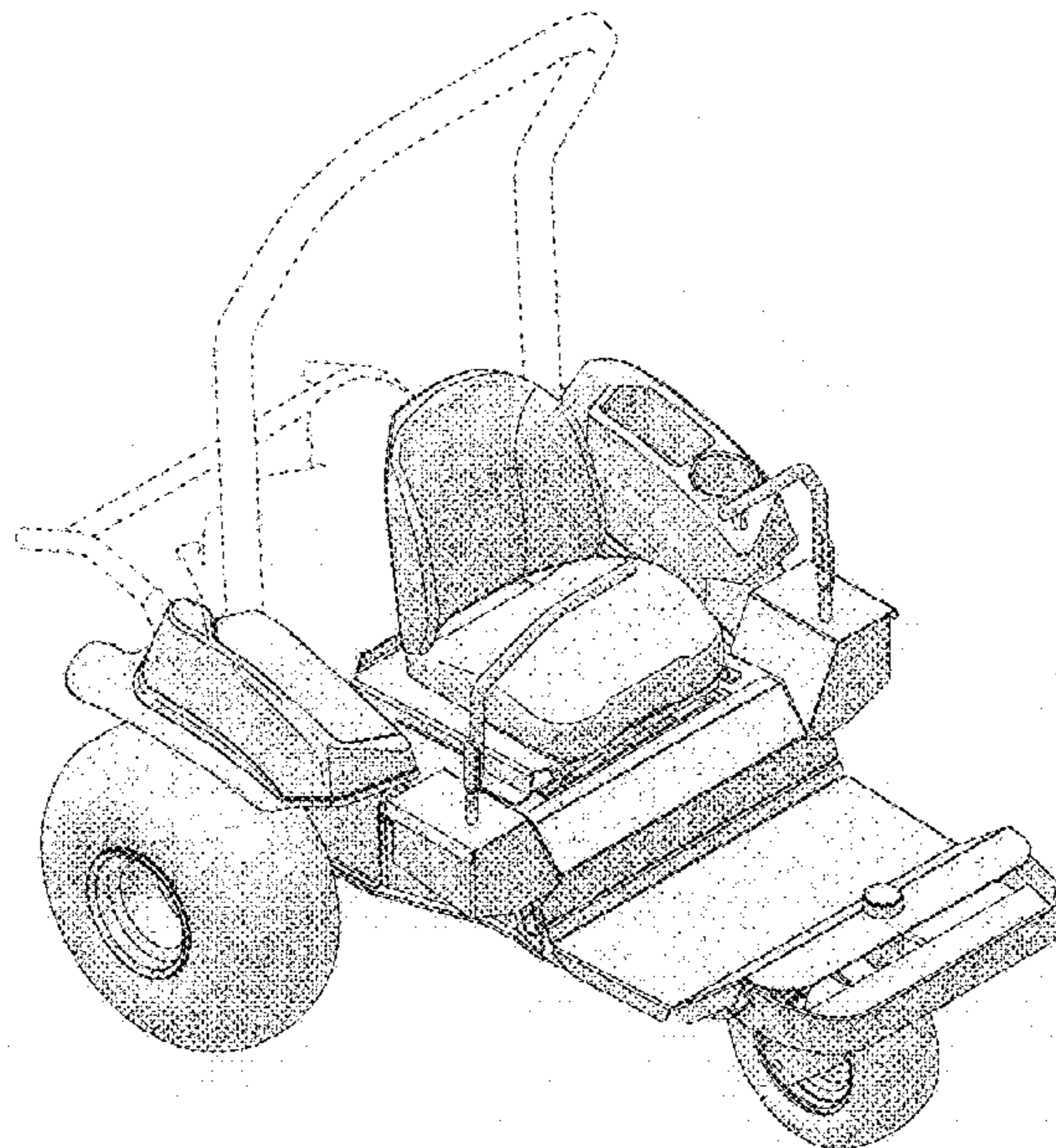
(58) **Field of Classification Search**  
USPC ..... D15/10, 14-18, 22-26, 33; 56/12.8, 56/12.7, 13.4, 16.7, 17.5, 202, 254, 255, 56/294, 11.4, 320.1, 320.2, 249, 252, 11.9, 56/17.1, 17.4, 295, 15.8, 13.3, 10.1, 15.9, 56/43.17; 180/69.2, 89.1, 89.12, 900, 273  
CPC ..... A01D 2101/00; A01D 34/6806; A01D 2034/6843

FIG. 1 is a perspective view of a zero radius turn sand grooming vehicle showing our new design;  
FIG. 2 is a front elevational view thereof;  
FIG. 3 is a left elevational view thereof;  
FIG. 4 is a right elevational view thereof;  
FIG. 5 is a back elevational view thereof; and,  
FIG. 6 is a top plan view thereof.

The broken lines shown in the figures are included for the purpose of illustrating portions of the zero radius turn sand grooming vehicle and form no part of the claimed design.

See application file for complete search history.

**1 Claim, 6 Drawing Sheets**



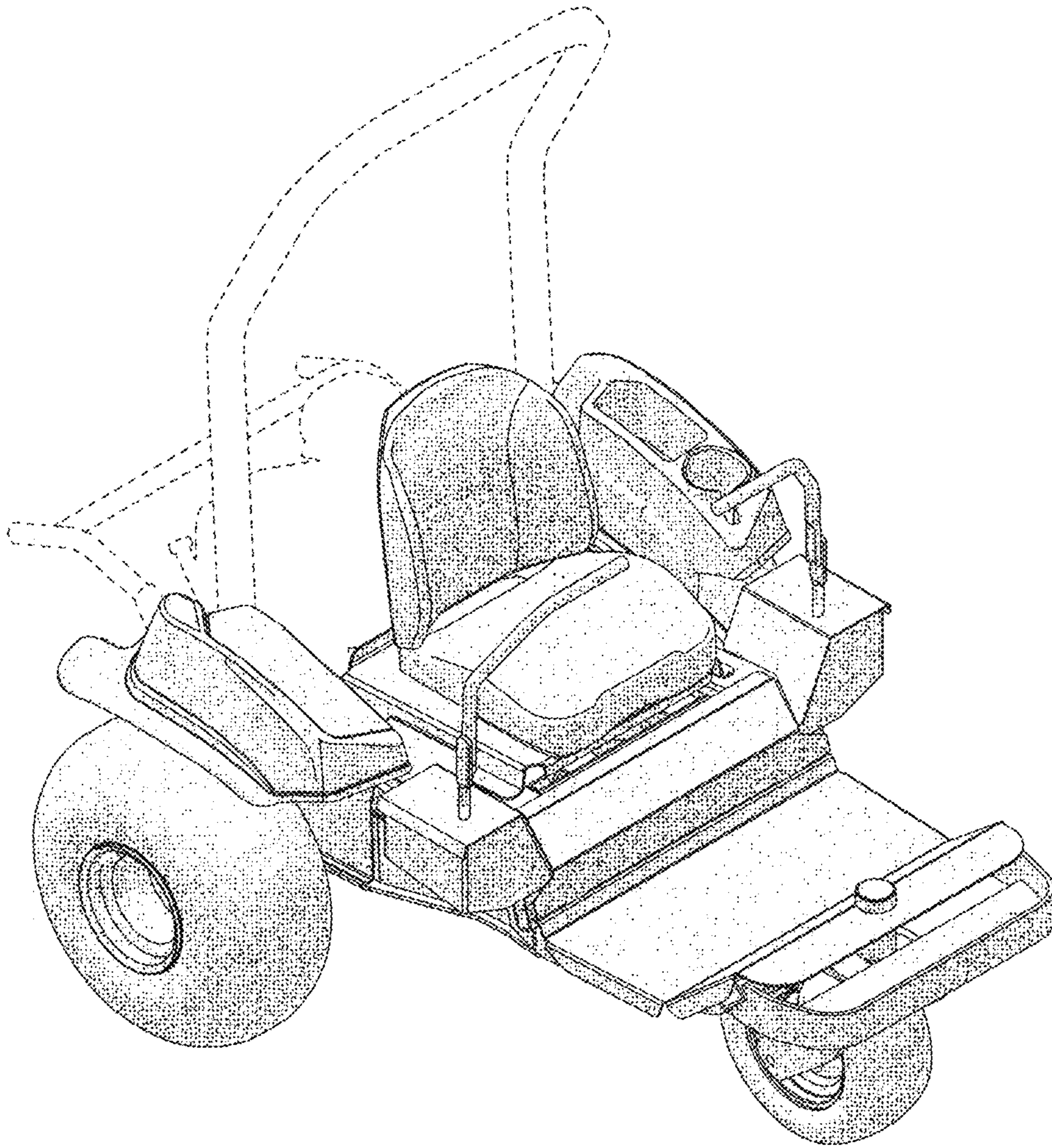


FIG. 1

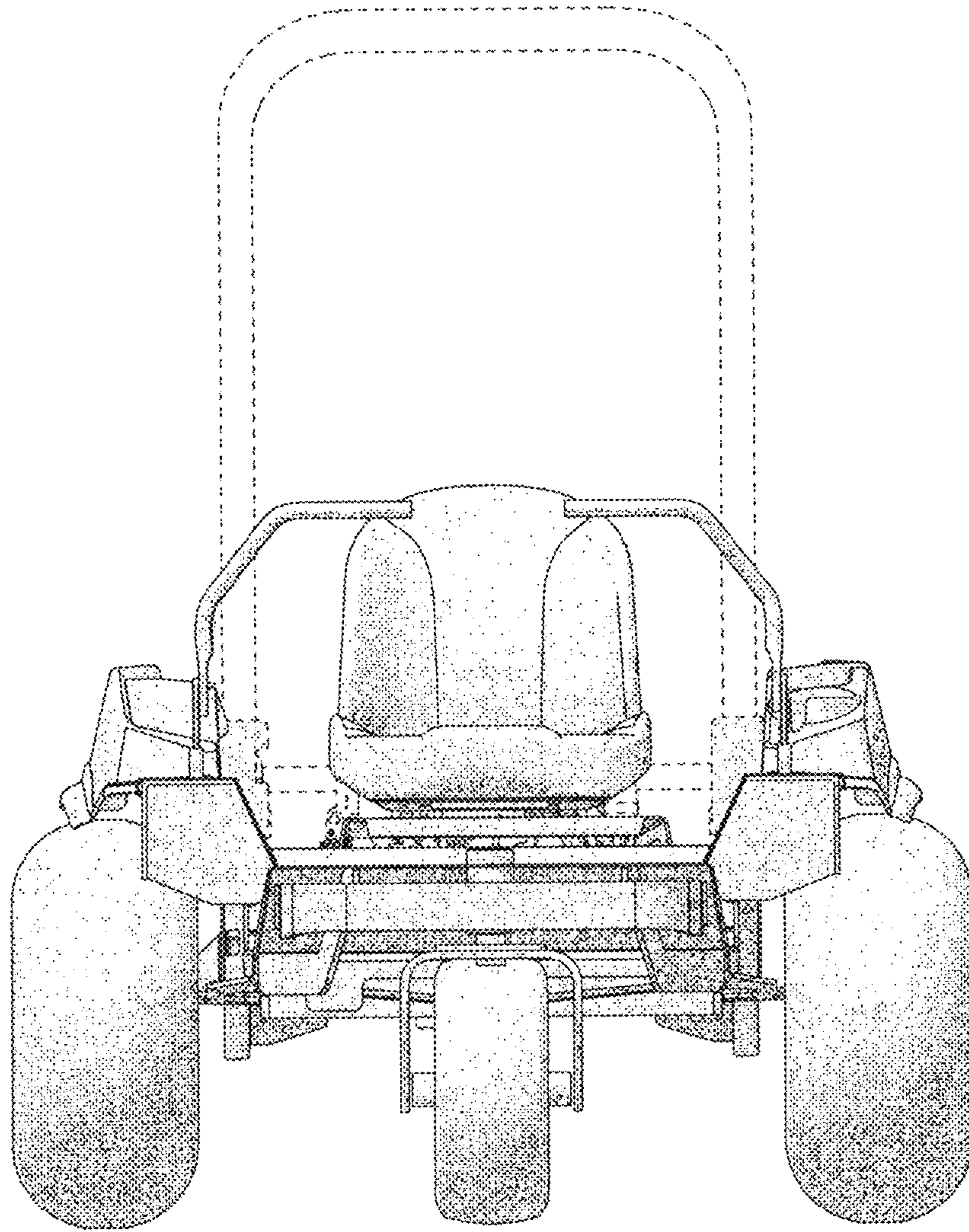


FIG. 2

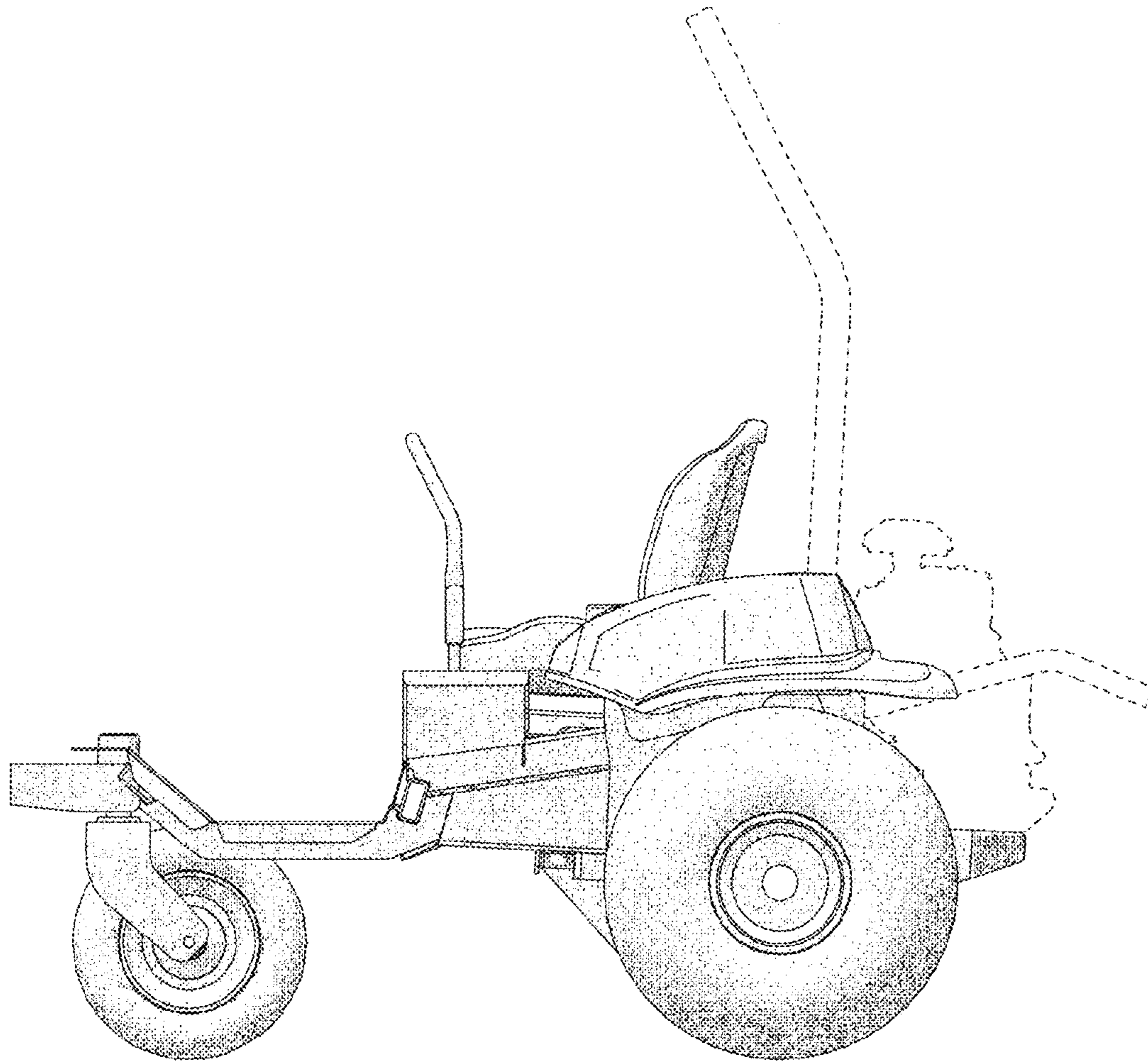


FIG. 3

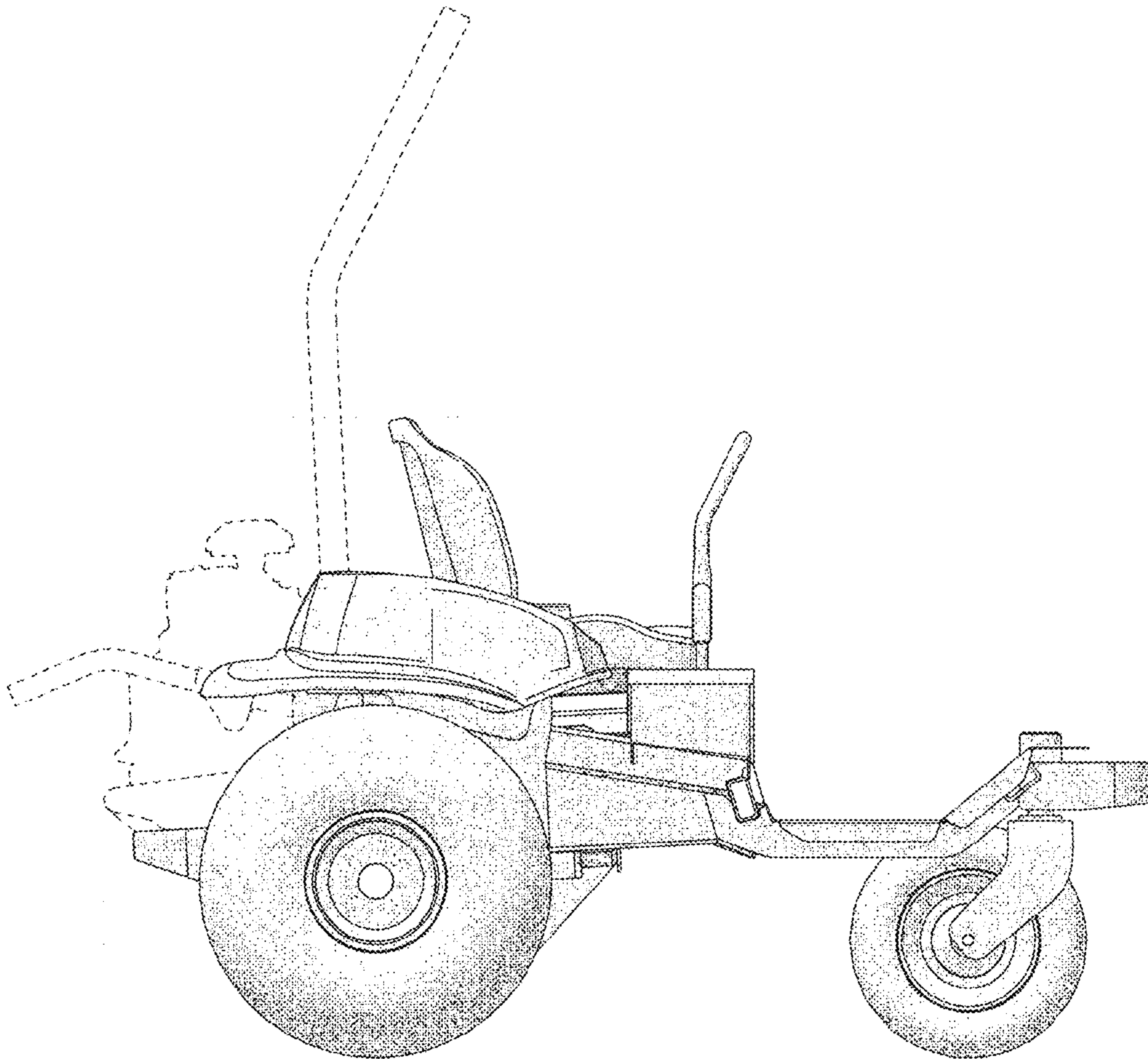


FIG. 4

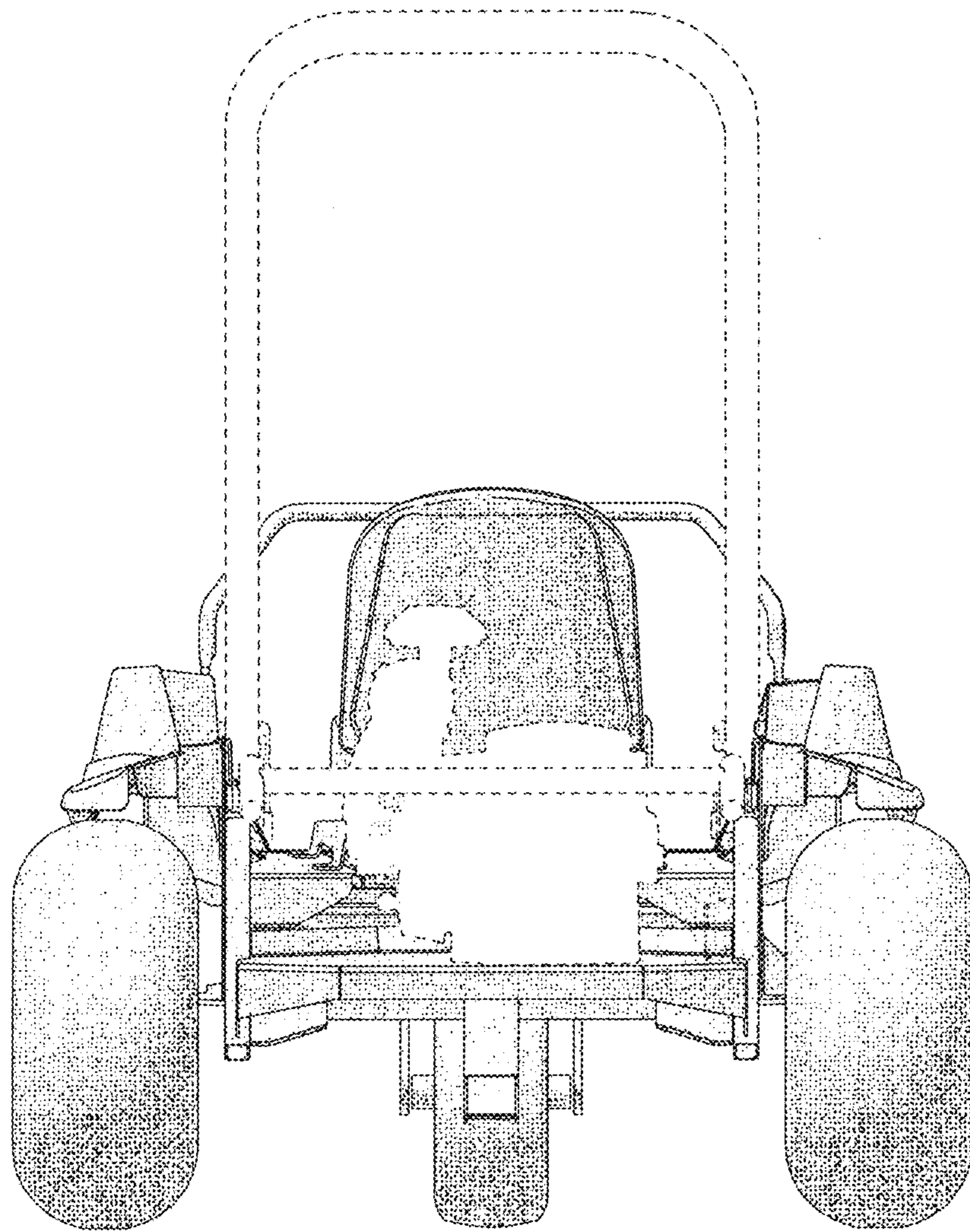


FIG. 5

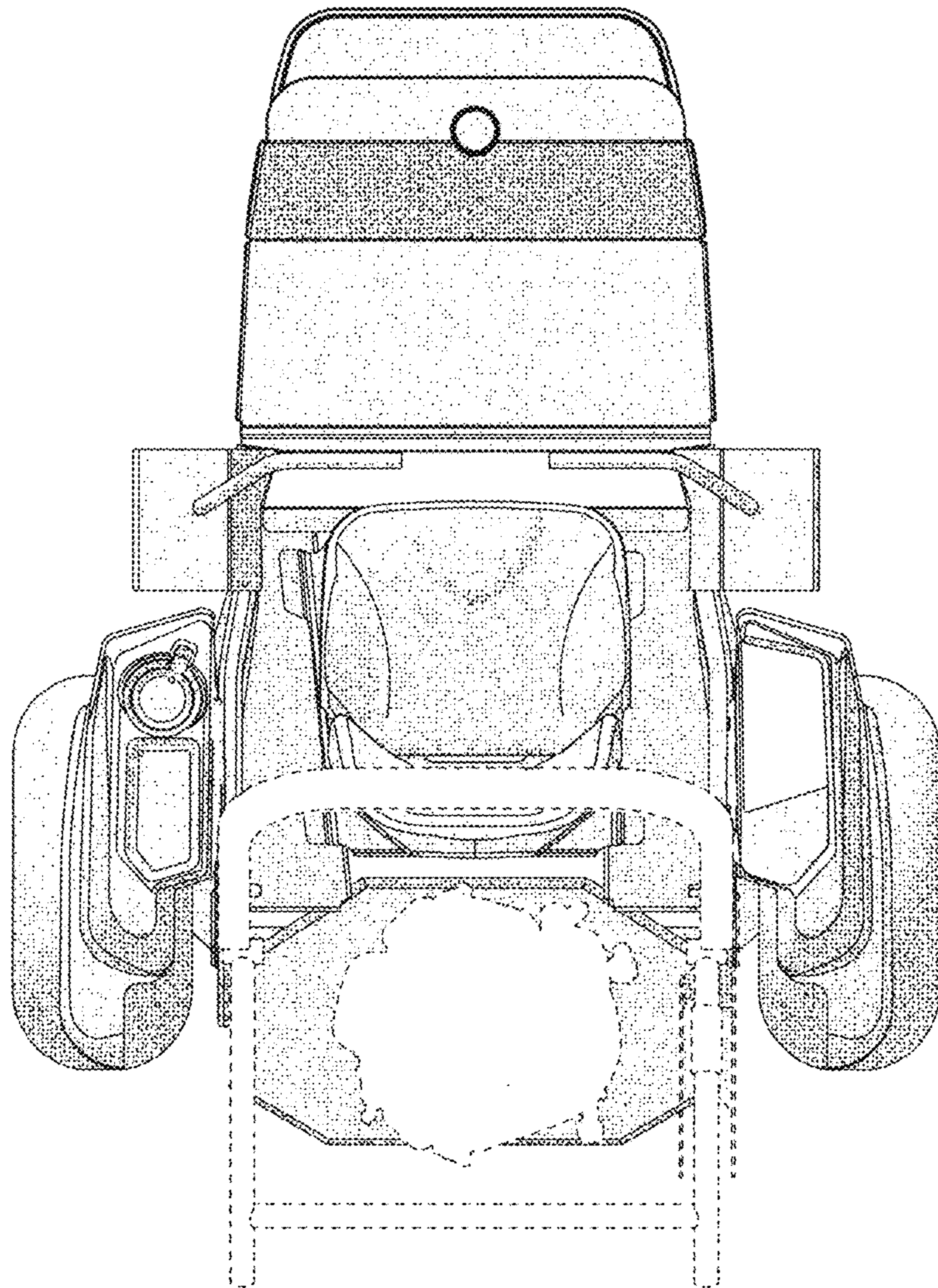


FIG. 6