



US00D759124S

(12) **United States Design Patent**
Nakaura et al.

(10) **Patent No.:** **US D759,124 S**
(45) **Date of Patent:** **** Jun. 14, 2016**

(54) **ELECTRICALLY-POWERED SNOWPLOW**

5,758,436 A * 6/1998 Harms E01H 5/04
37/249

(71) Applicant: **HONDA MOTOR CO., LTD.**, Tokyo
(JP)

D500,053 S * 12/2004 Yuzuriha D15/12
D554,155 S * 10/2007 Yuzuriha D15/11
D604,333 S * 11/2009 Yuzuriha D15/12
2004/0149456 A1 * 8/2004 Jolliff B62D 51/06
172/42
2009/0038184 A1 * 2/2009 Kornienko B62J 33/00
37/197

(72) Inventors: **So Nakaura**, Wako (JP); **Hiromi Yuzuriha**, Wako (JP)

(73) Assignee: **HONDA MOTOR CO., LTD.**, Tokyo
(JP)

* cited by examiner

(**) Term: **14 Years**

Primary Examiner — Mark Goodwin

(21) Appl. No.: **29/523,360**

(74) *Attorney, Agent, or Firm* — Westerman, Hattori,
Daniels & Adrian, LLP

(22) Filed: **Apr. 9, 2015**

(30) **Foreign Application Priority Data**

Oct. 10, 2014 (JP) 2014-022819

(51) **LOC (10) Cl.** **15-03**

(52) **U.S. Cl.**
USPC **D15/11; D15/12**

(58) **Field of Classification Search**
USPC D15/11, 12, 17, 20, 28, 31, 32; 37/257,
37/254, 242, 251, 258, 227, 219, 234;
180/272, 19.3, 224.2; 172/42
CPC E01H 5/04; E01H 5/098; E01H 5/076
See application file for complete search history.

(56) **References Cited**

U.S. PATENT DOCUMENTS

D270,057 S * 8/1983 Nakamura D15/12

(57) **CLAIM**

The ornamental design for an electrically-powered snow-
plow, as shown and described.

DESCRIPTION

FIG. 1 is a front and right side view of an electrically-powered snowplow;
FIG. 2 is a rear and right side perspective view thereof;
FIG. 3 is a front elevation view thereof;
FIG. 4 is a rear elevation view thereof;
FIG. 5 is a top plan view thereof;
FIG. 6 is a right side elevation view thereof; and,
FIG. 7 is a left side elevation view thereof.
The broken lines are for illustrative purposes only and form no part of claimed design.

1 Claim, 7 Drawing Sheets

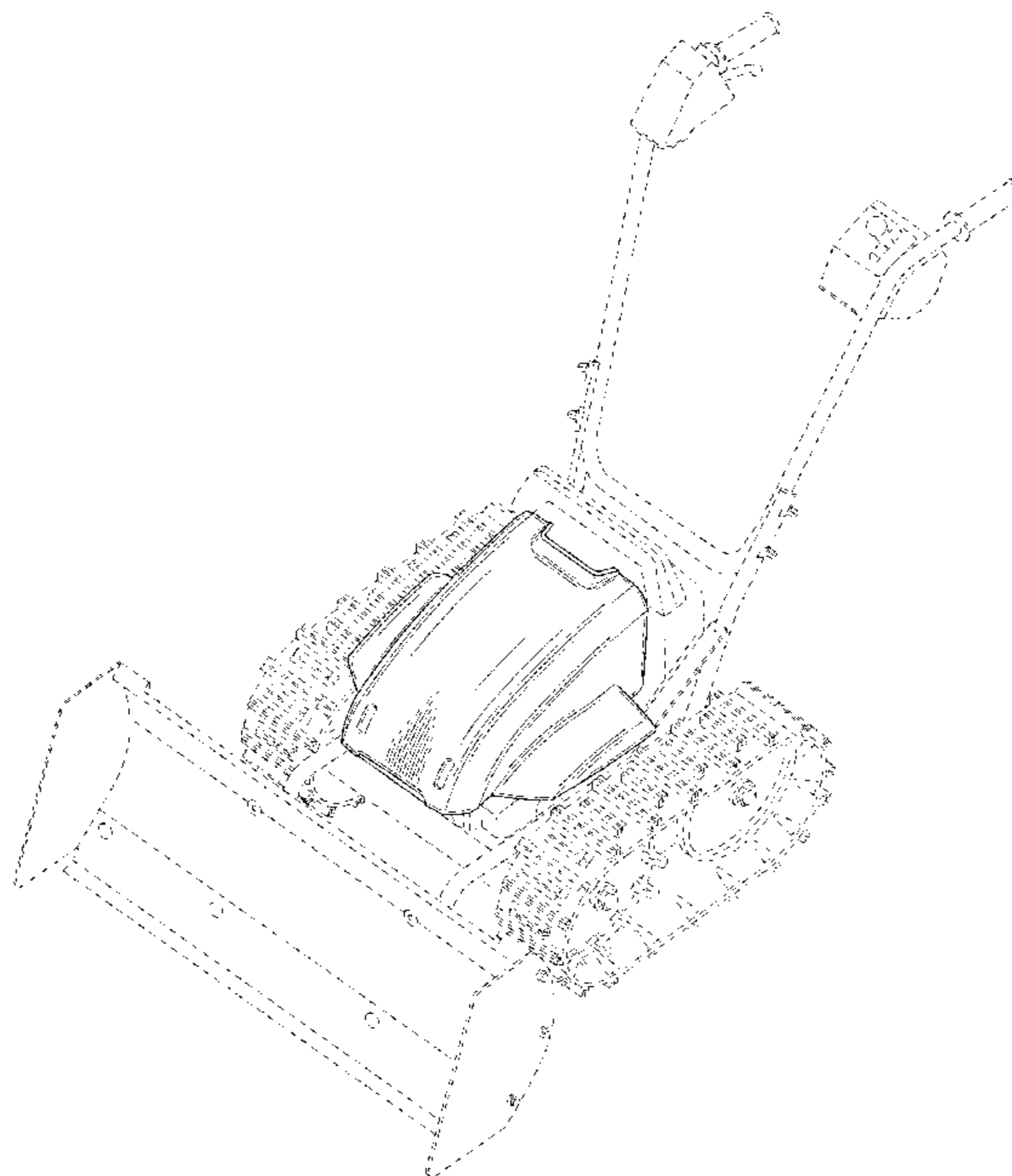


Fig. 1

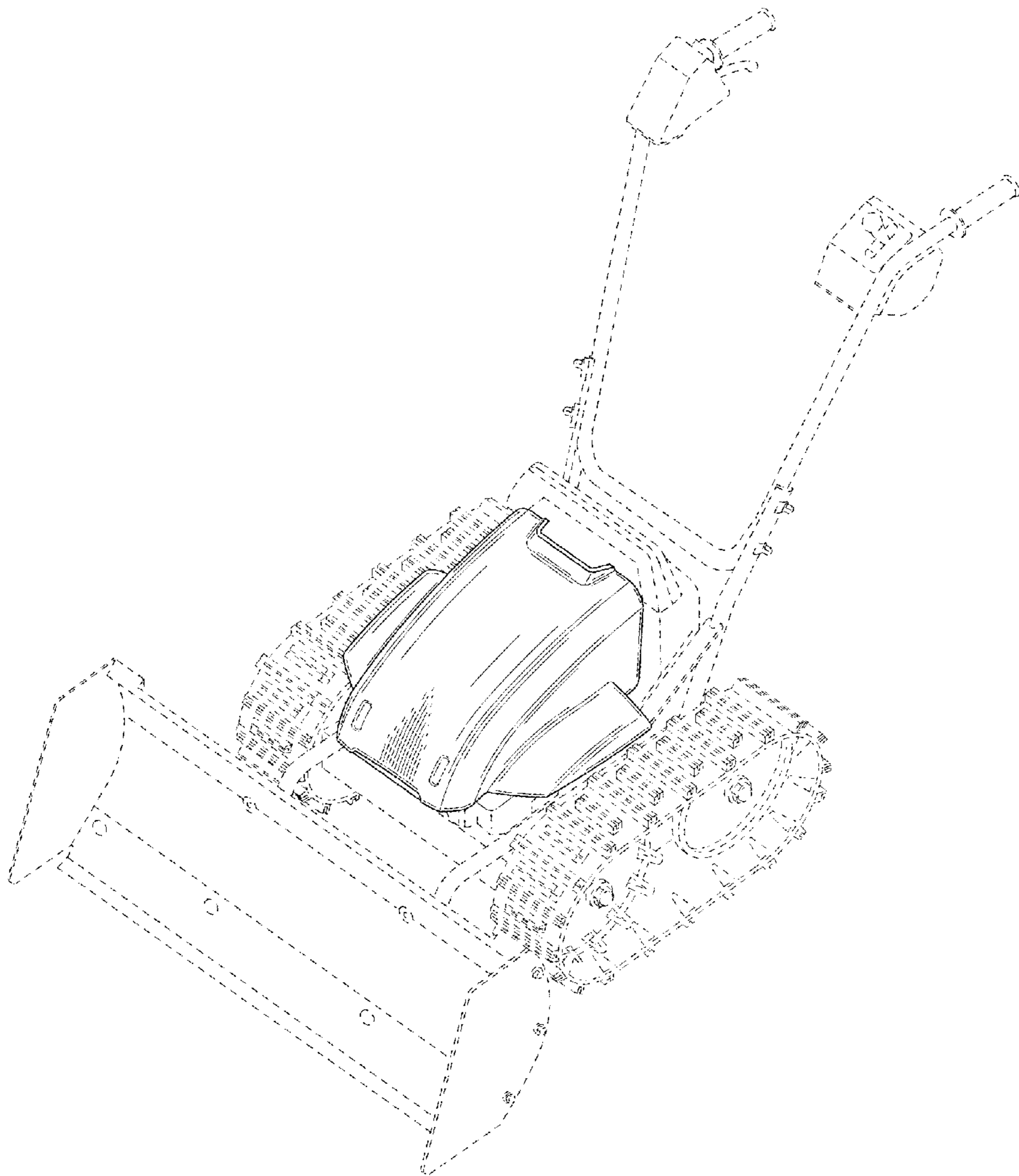


Fig.2

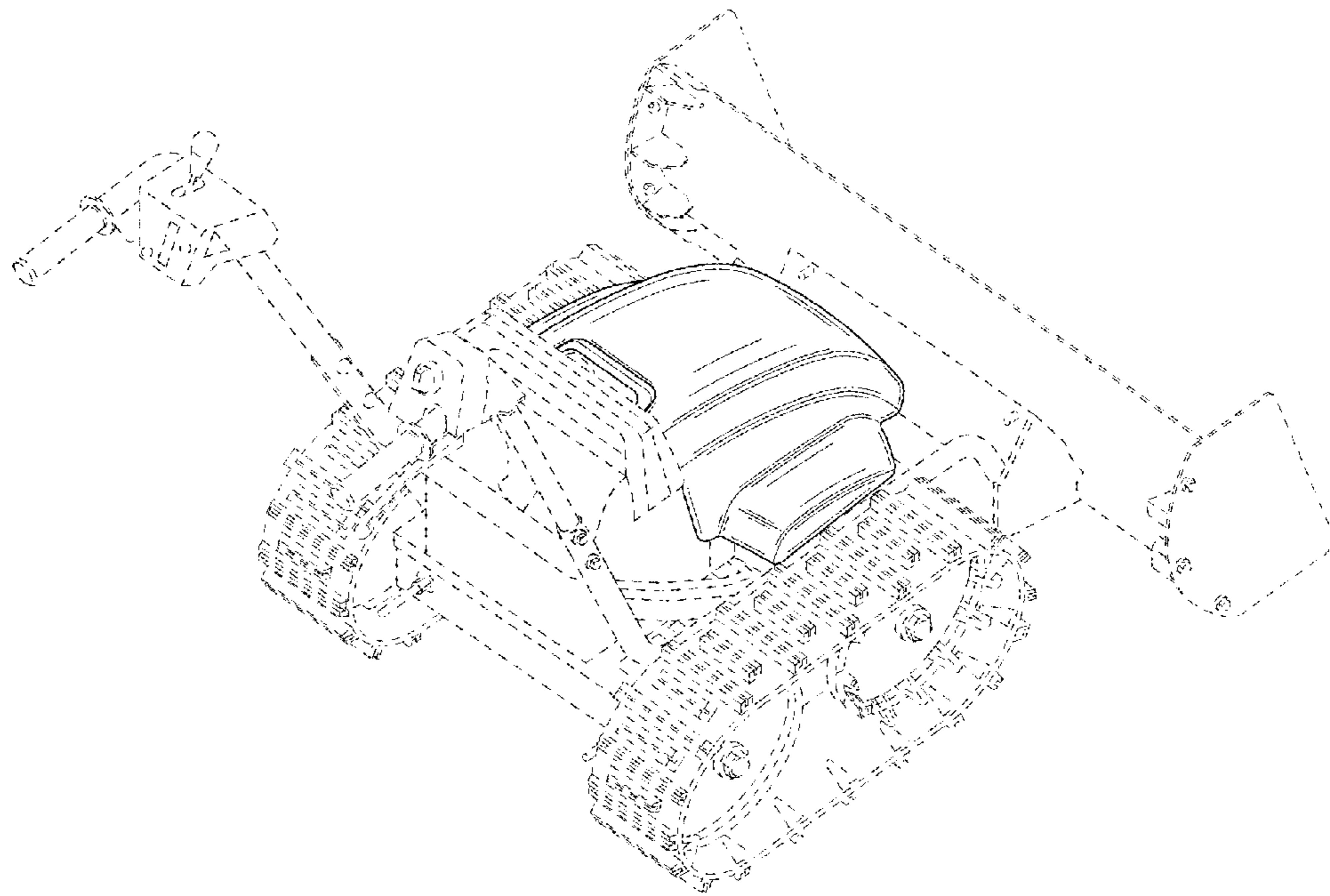


Fig.3

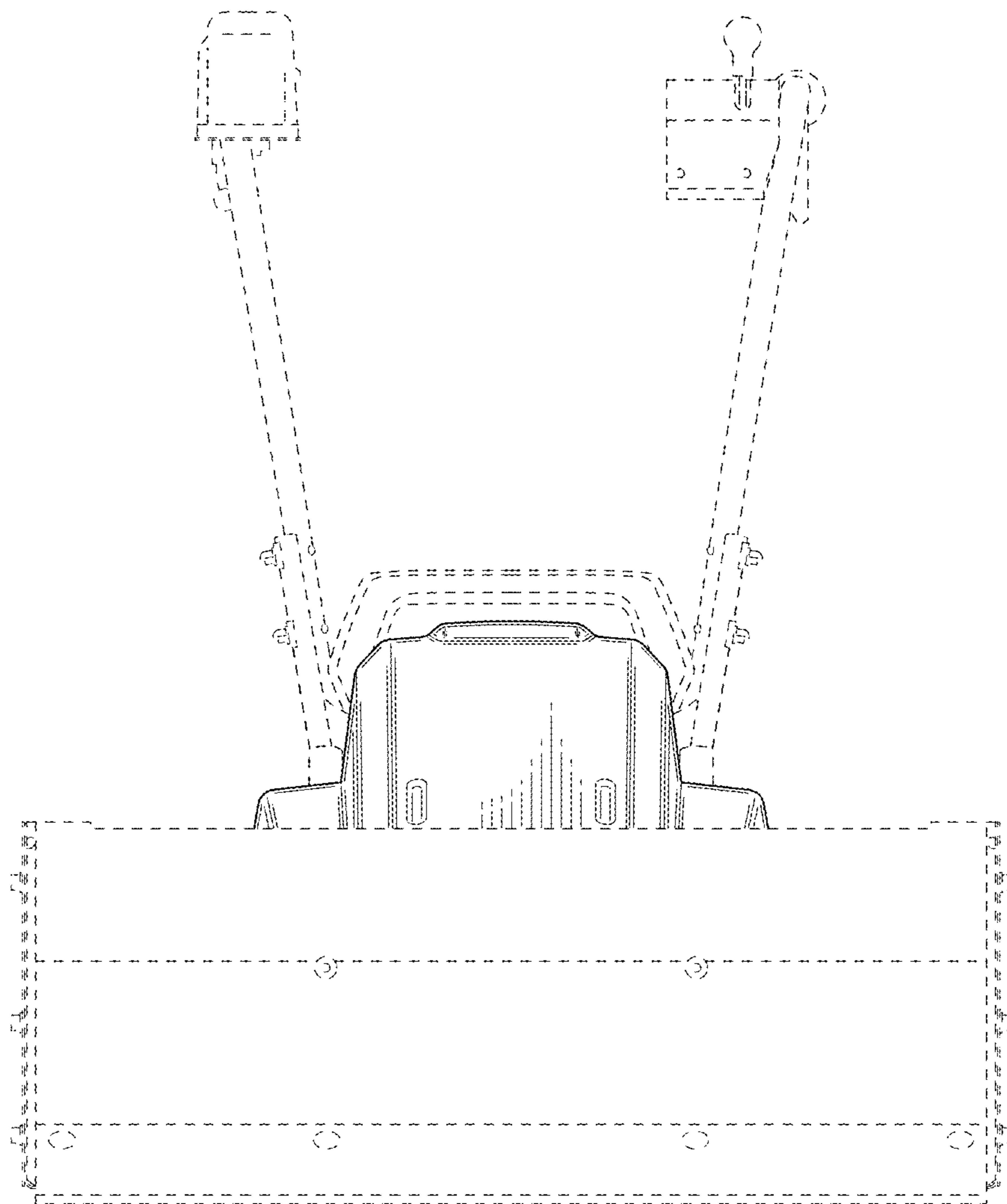


Fig.4

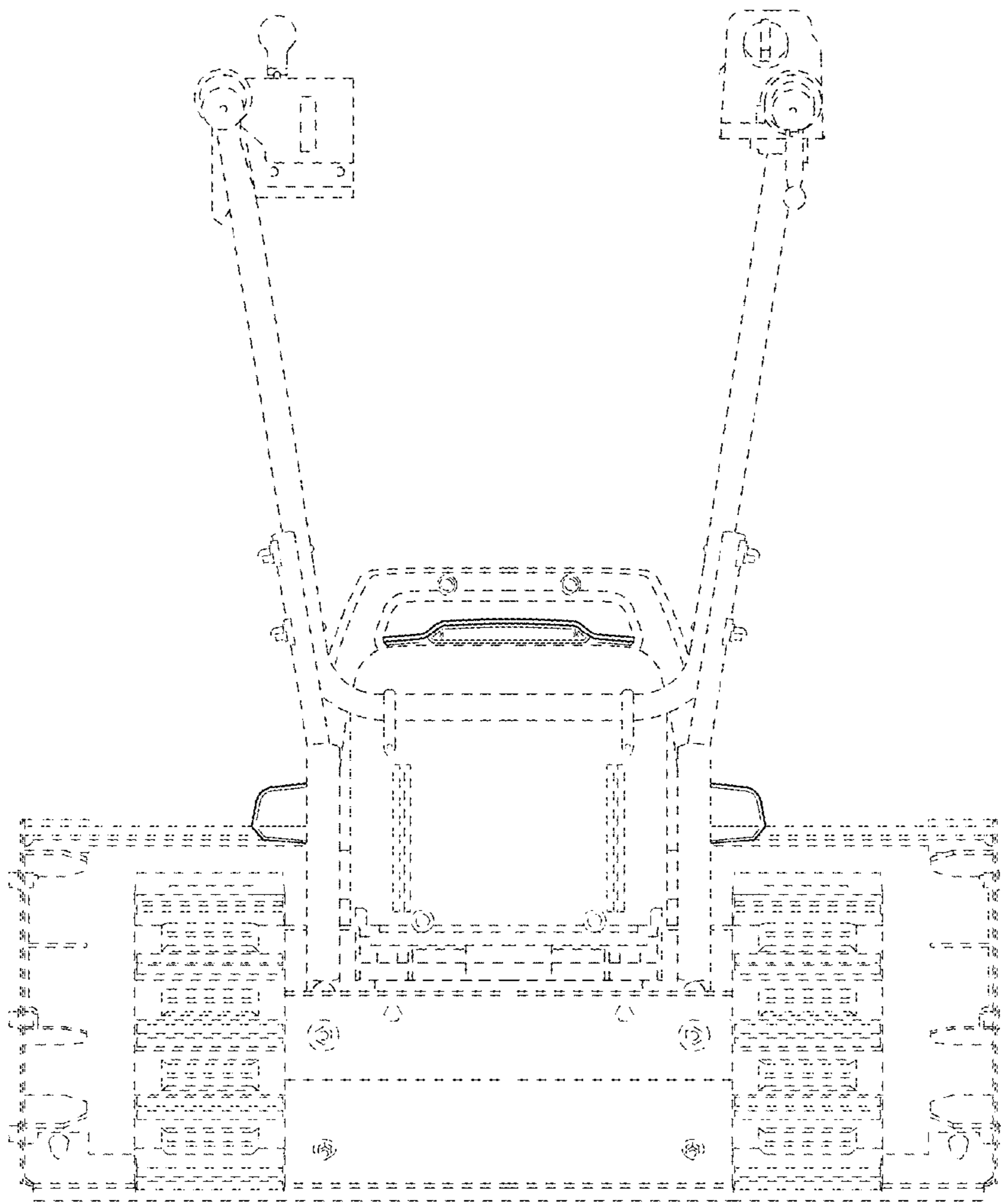


Fig.5

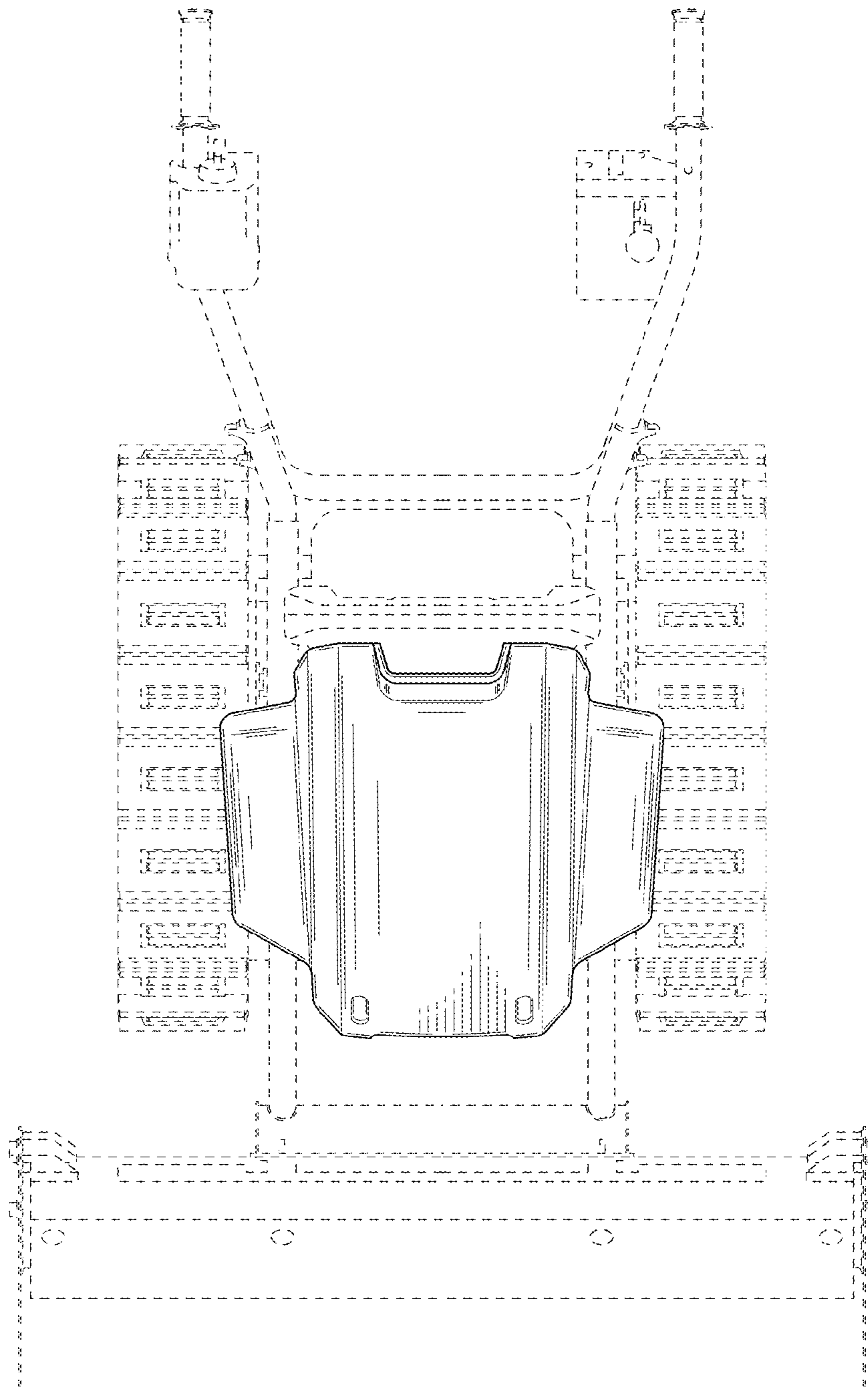


Fig.6

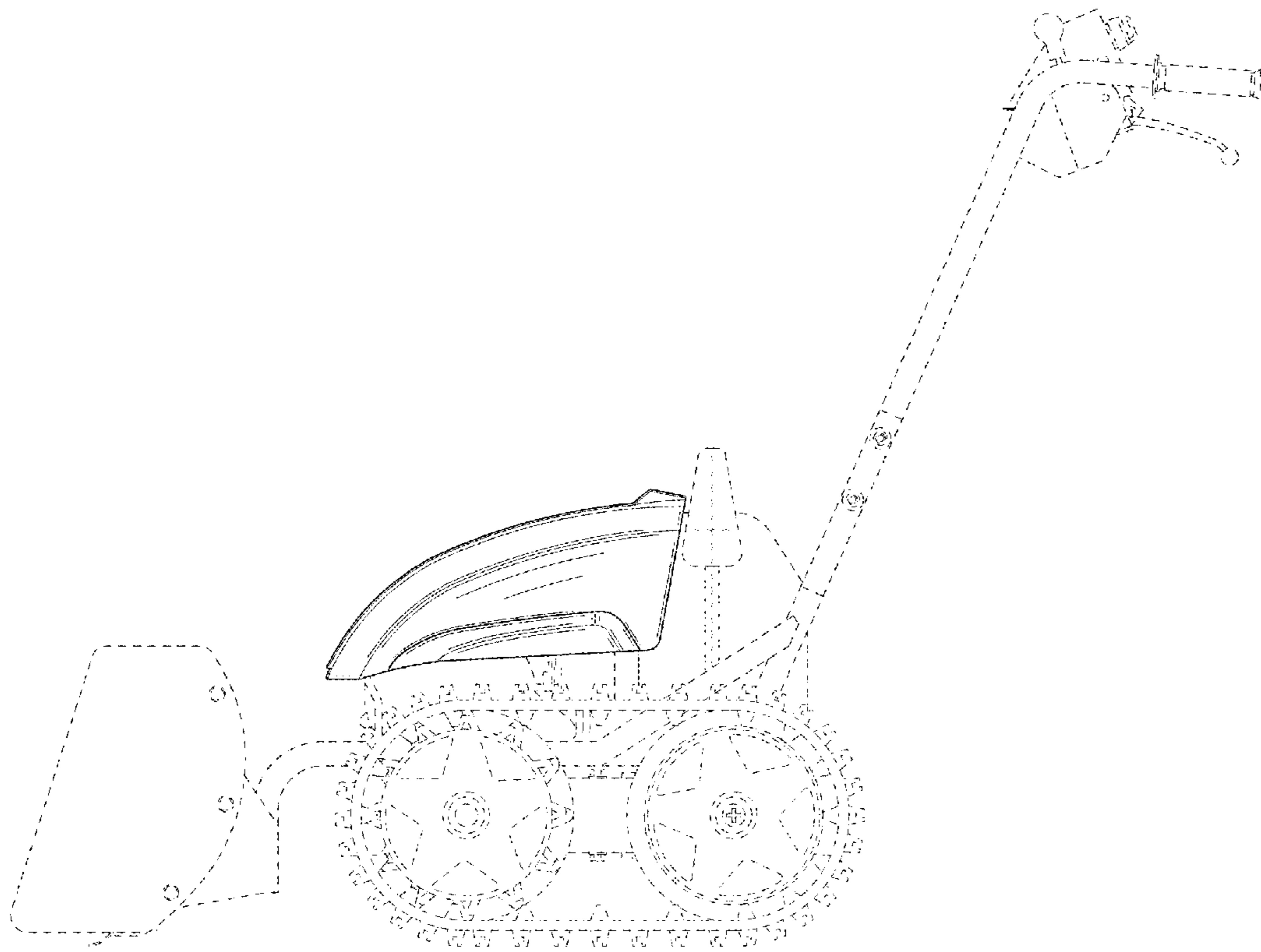


Fig.7

