



US00D759123S

(12) **United States Design Patent**
Van Dyke et al.

(10) **Patent No.:** **US D759,123 S**
(45) **Date of Patent:** **** Jun. 14, 2016**

- (54) **FUEL DELIVERY MODULE**
- (71) Applicant: **Bi-Phase Technologies, LLC**, Eagan, MN (US)
- (72) Inventors: **Victor Van Dyke**, Eden Prairie, MN (US); **Thomas Mullen Troglia**, Ramsey, MN (US); **Phillip Charles Wencel**, Eagan, MN (US)
- (73) Assignee: **Bi-Phase Technologies, LLC**, Eagan, MN (US)

(**) Term: **14 Years**

(21) Appl. No.: **29/514,289**

(22) Filed: **Jan. 9, 2015**

(51) **LOC (10) Cl.** **15-02**

(52) **U.S. Cl.**
USPC **D15/7**

(58) **Field of Classification Search**
USPC D15/7-9, 5; D23/231, 232, 225;
417/60, 235, 265, 321, 355, 358, 363,
417/359, 410.1, 415-416, 405, 900;
60/408, 412; 184/26-37; 415/140-147;
123/495, 509; 137/565.34
CPC F02M 37/04; F02M 37/14; F02M 37/10;
F04B 17/00
See application file for complete search history.

(56) **References Cited**
U.S. PATENT DOCUMENTS

D221,258 S *	7/1971	Saddler	D15/7
D271,976 S *	12/1983	Brown	D15/7
D283,425 S *	4/1986	Bingler	D15/7
D288,325 S *	2/1987	Davis	D15/7
D300,034 S *	2/1989	Hirakawa	D15/7
D304,833 S *	11/1989	Luchsinger	D15/7
5,623,907 A	4/1997	Cotton et al.		
5,762,049 A *	6/1998	Jones	F02M 37/10 123/509
6,123,521 A *	9/2000	Mori	B01D 35/0273 417/423.14
6,142,126 A *	11/2000	Kanamaru	B01D 24/0273 123/509

6,216,675 B1	4/2001	Bennett		
6,227,173 B1	5/2001	Bennett		
7,047,947 B2	5/2006	Van Dyke		
D582,944 S *	12/2008	Turgut	D15/7
D604,747 S *	11/2009	Hodge	D15/9
D617,346 S *	6/2010	Chu	D15/9
7,950,267 B2	5/2011	Van Dyke et al.		
D644,251 S *	8/2011	Serita	D15/7
8,127,748 B2 *	3/2012	Yates	F02C 7/236 123/508
8,882,472 B2 *	11/2014	Powell	F02M 37/025 123/509
D738,935 S *	9/2015	Chu	D15/9

* cited by examiner

Primary Examiner — Ralf Seifert

(74) *Attorney, Agent, or Firm* — Merchant & Gould P.C.

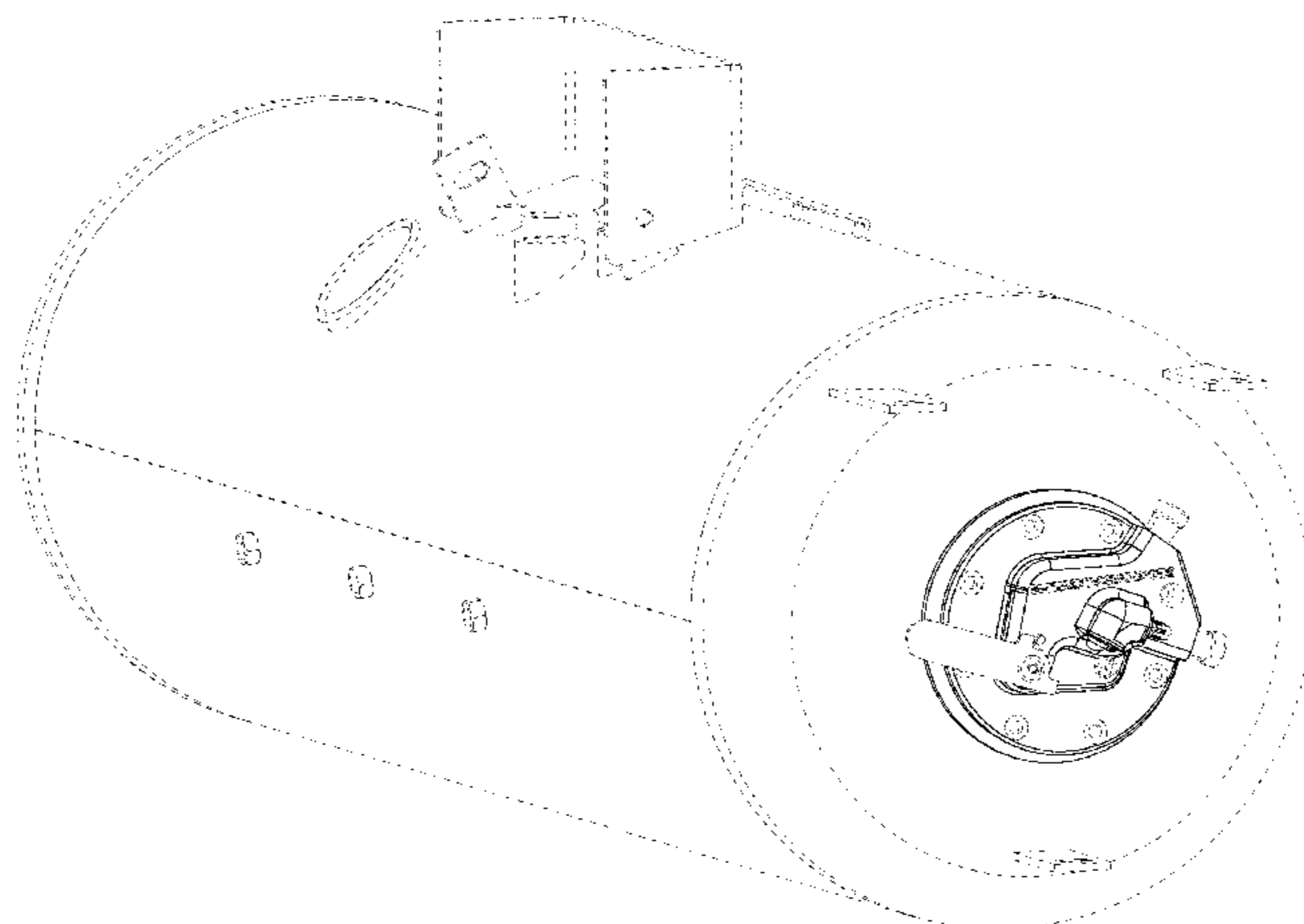
(57) **CLAIM**

The ornamental design for a fuel delivery module, as shown and described.

DESCRIPTION

FIG. 1 is an isometric view of a fuel delivery module in a closed position;
 FIG. 2 is another isometric view of the fuel delivery module of FIG. 1 in an open position;
 FIG. 3 is another isometric view of the fuel delivery module of FIG. 1 in the closed position;
 FIG. 4 is front view of the fuel delivery module of FIG. 1 in the closed position;
 FIG. 5 is a rear view of the fuel delivery module of FIG. 1 in the closed position;
 FIG. 6 is right side view of the fuel delivery module of FIG. 1 in the closed position;
 FIG. 7 is left side view of the fuel delivery module of FIG. 1 in the closed position;
 FIG. 8 is top view of the fuel delivery module of FIG. 1 in the closed position; and,
 FIG. 9 is bottom view of the fuel delivery module of FIG. 1 in the closed position.
 The broken lines in the Figures are for illustrative purposes only and form no part of the claimed design.

1 Claim, 9 Drawing Sheets



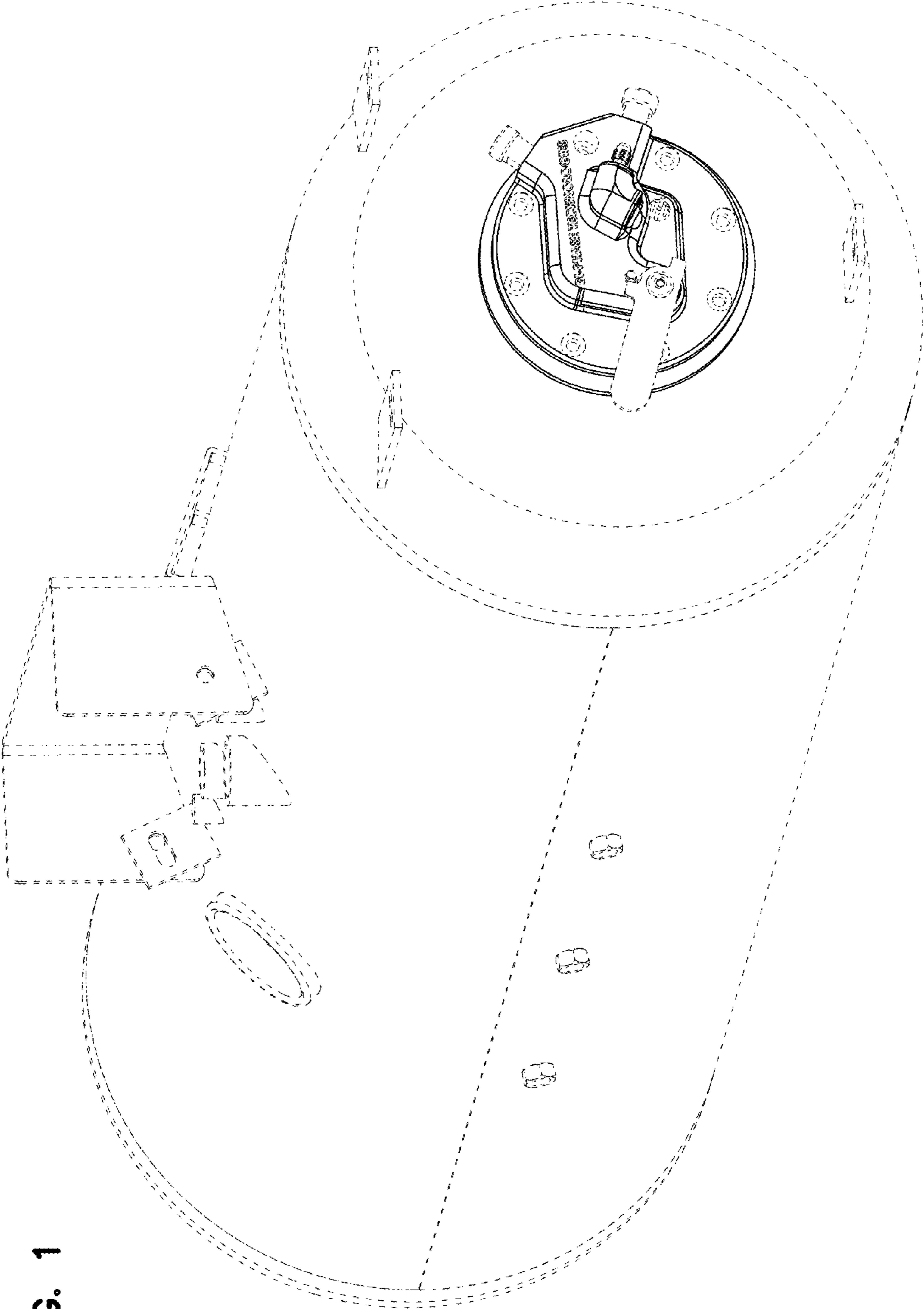


FIG. 1

FIG. 2

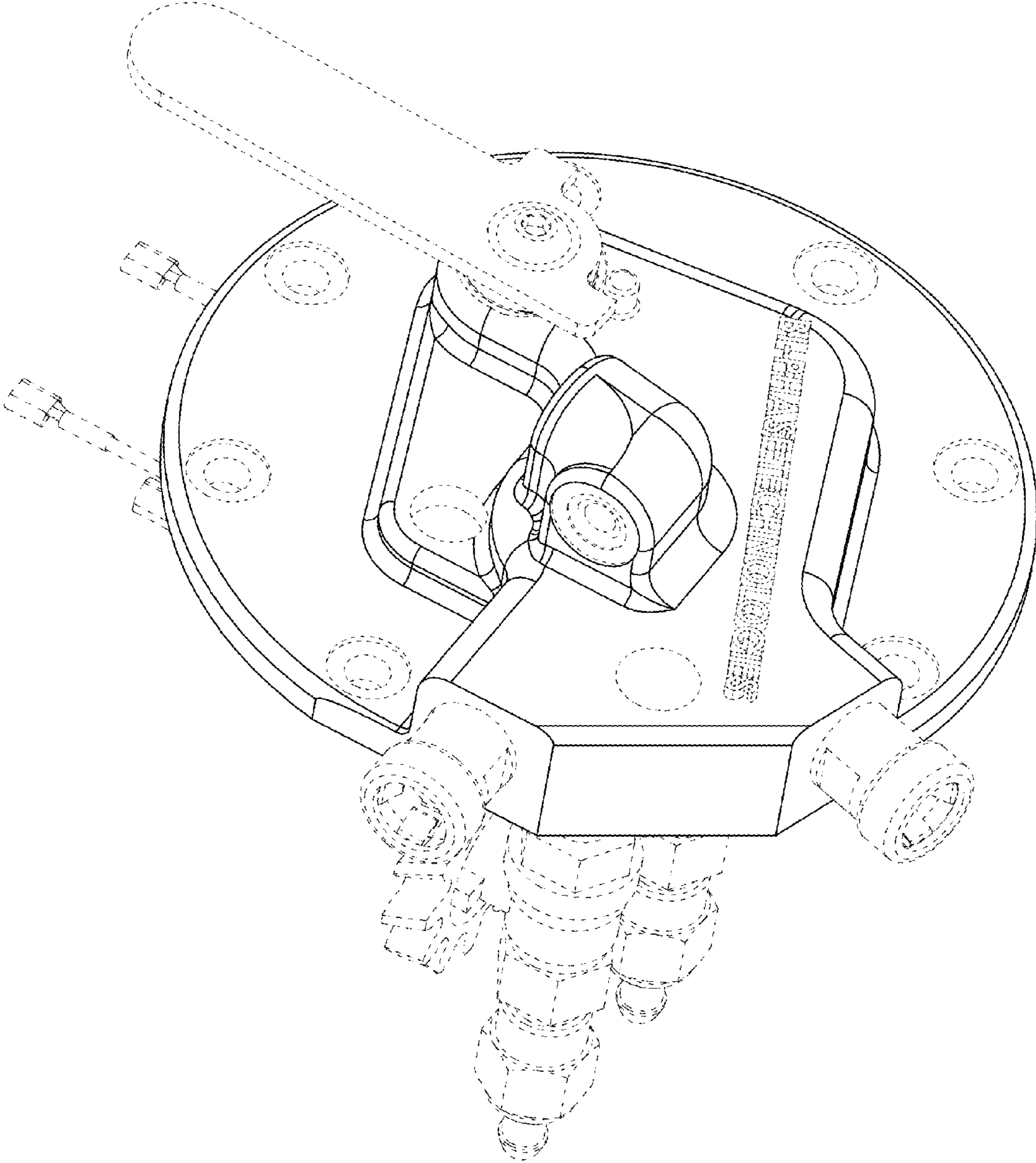


FIG. 3

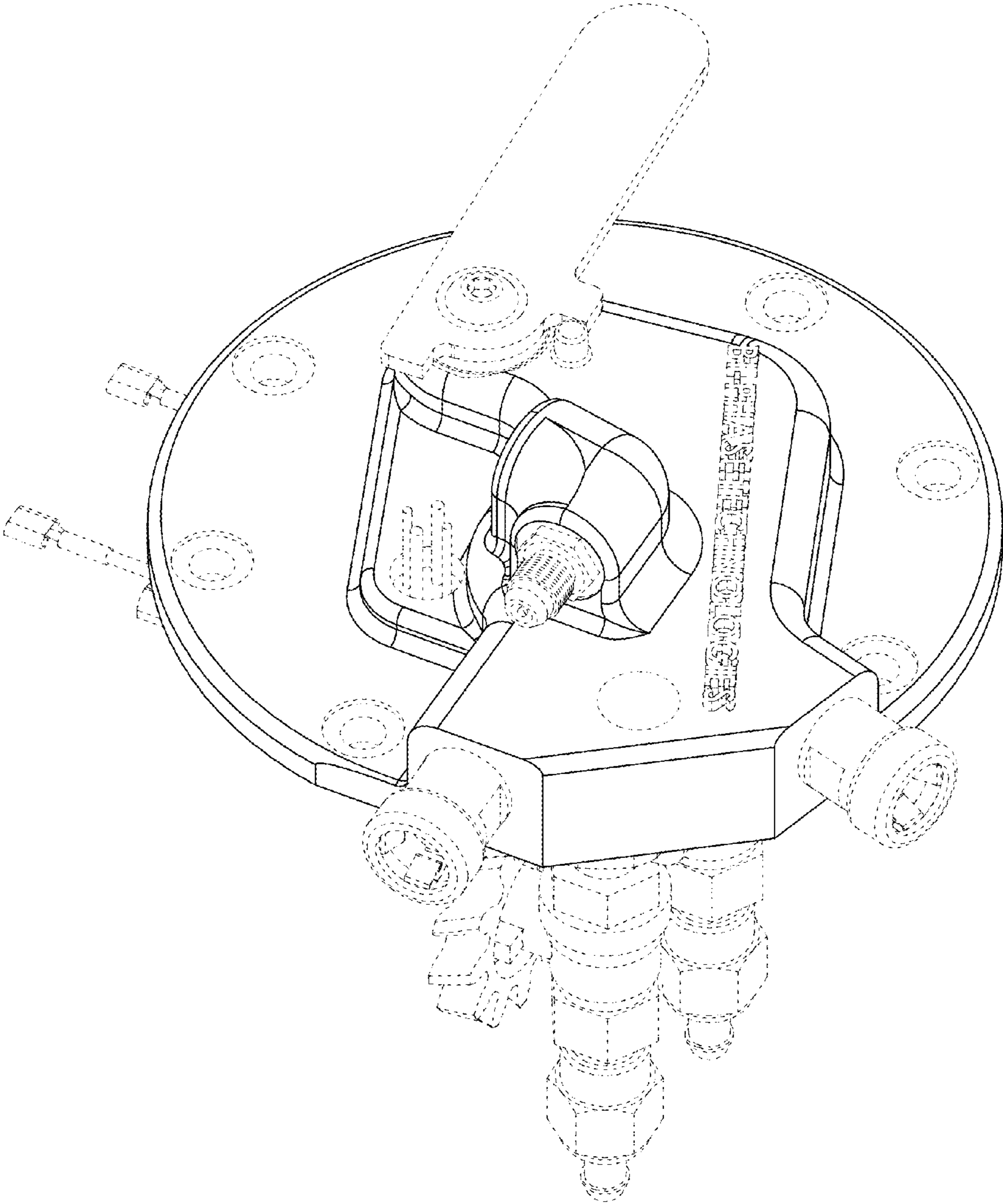


FIG. 4

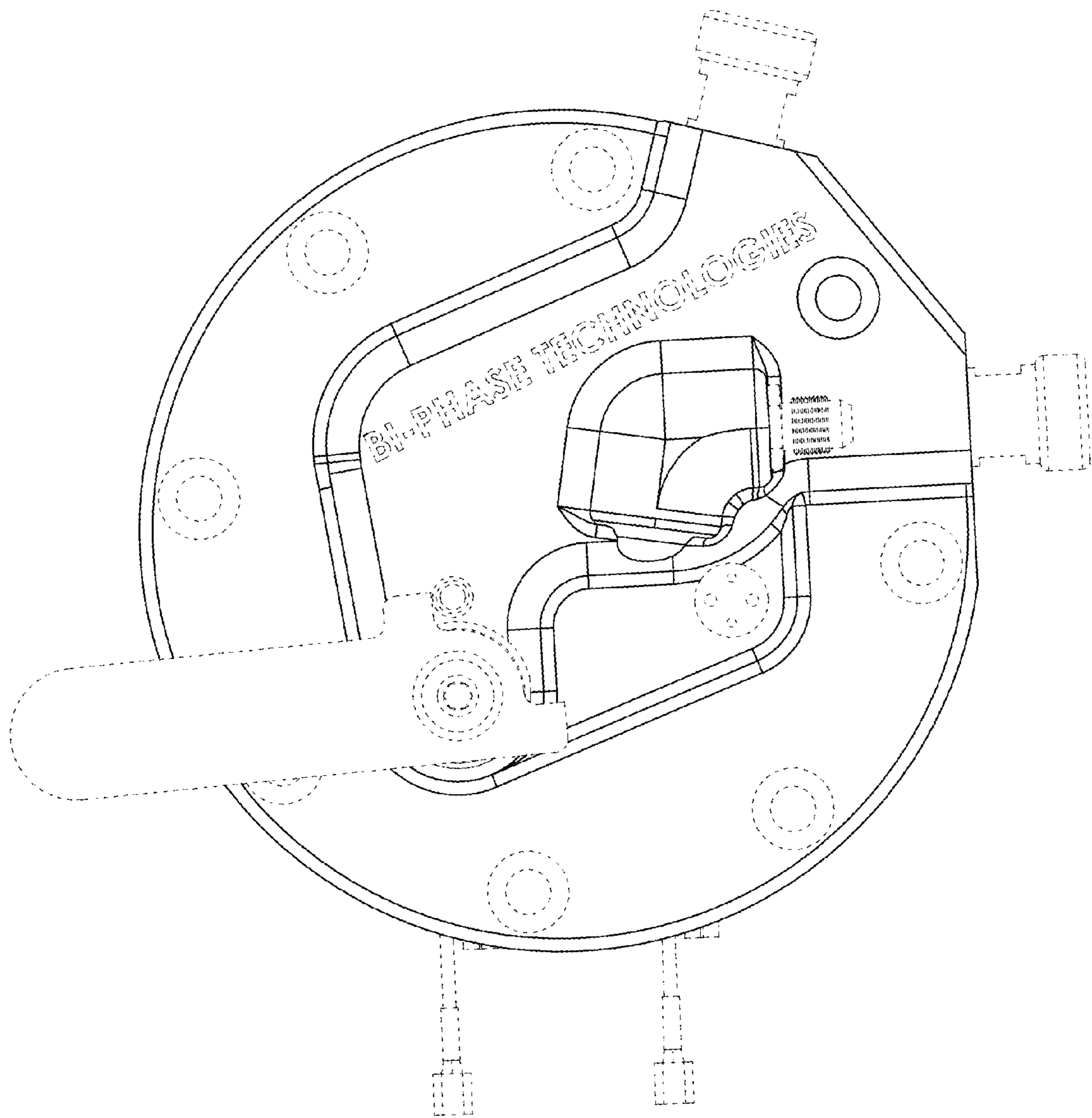
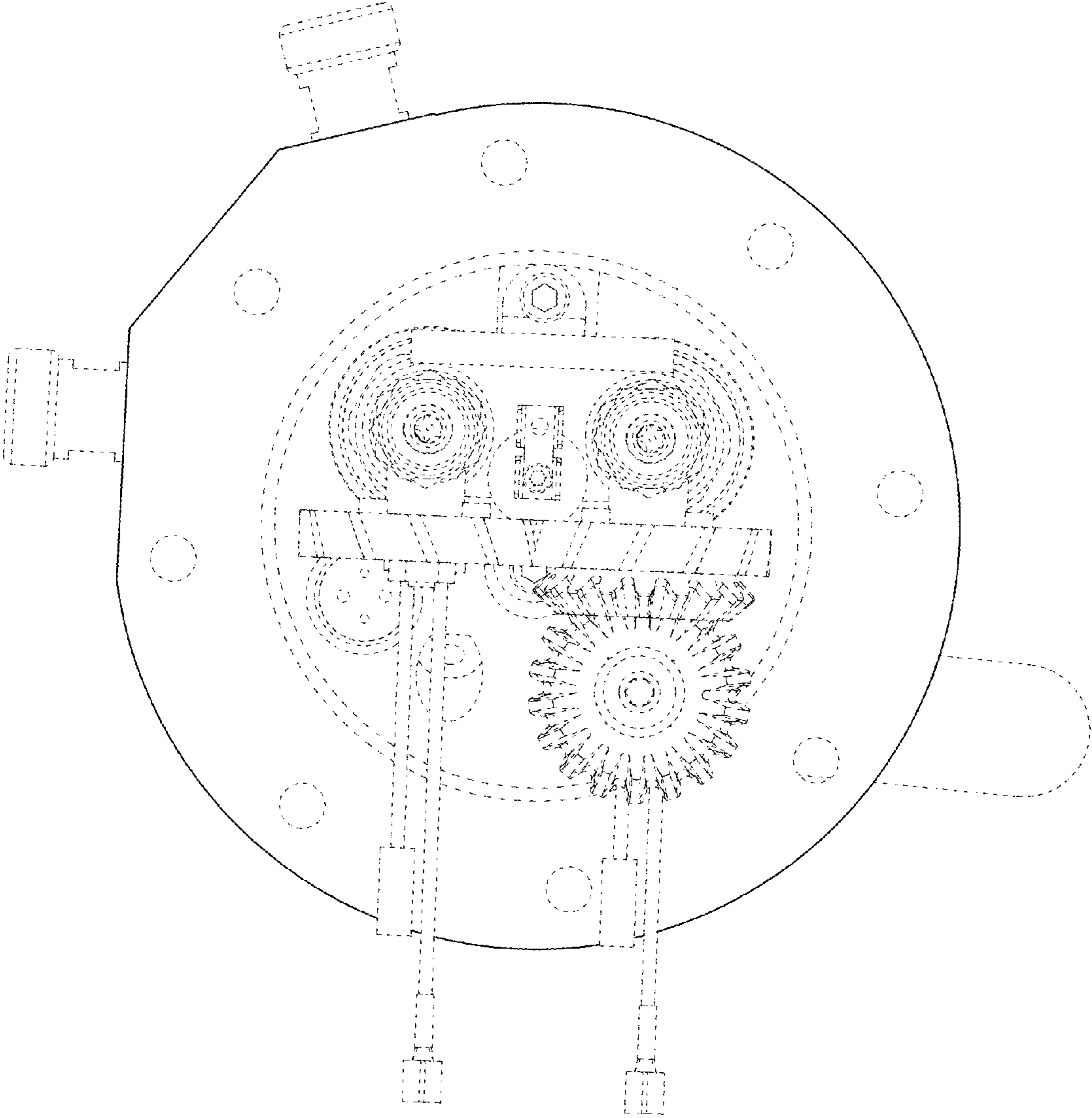


FIG. 5



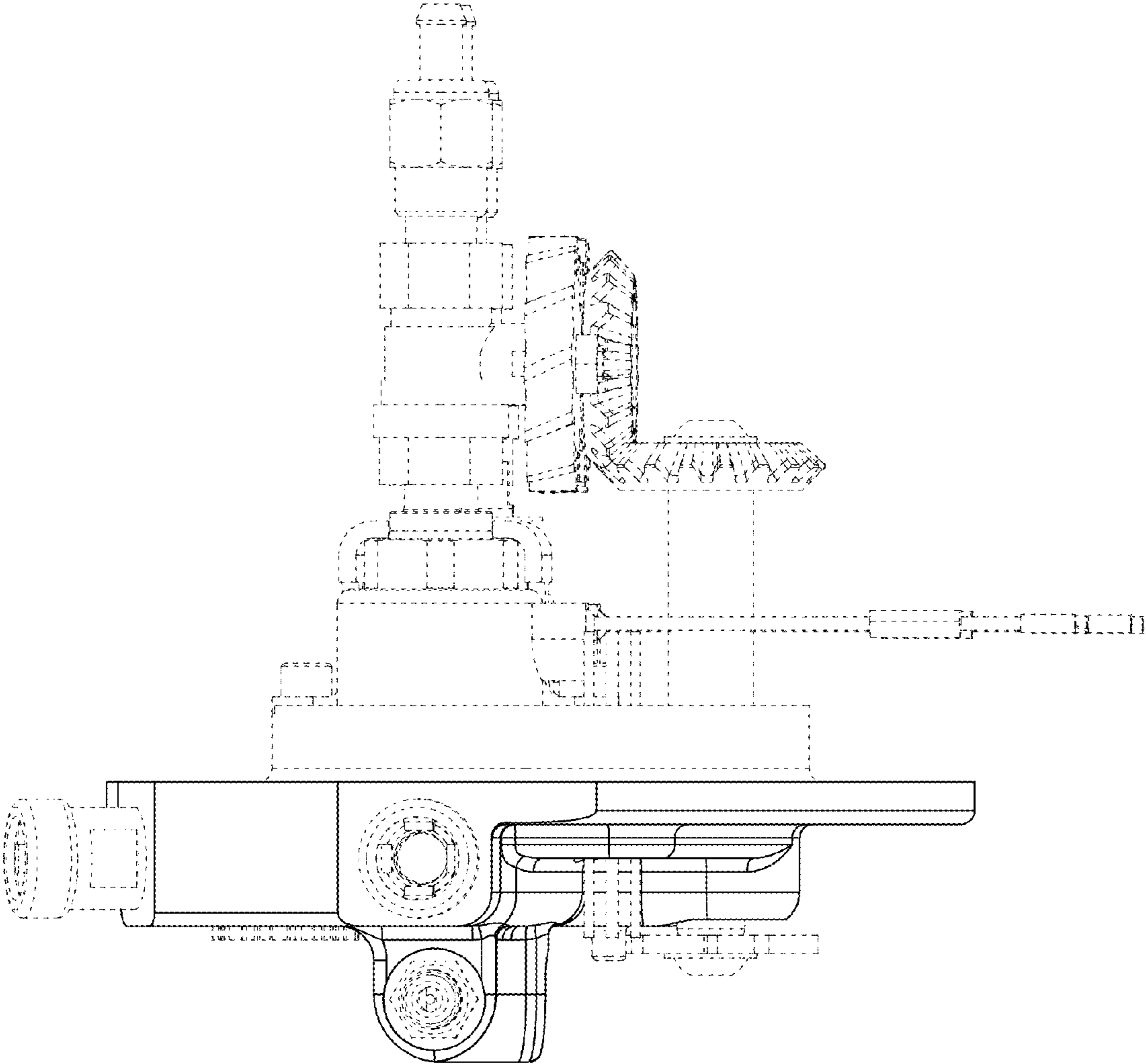


FIG. 6

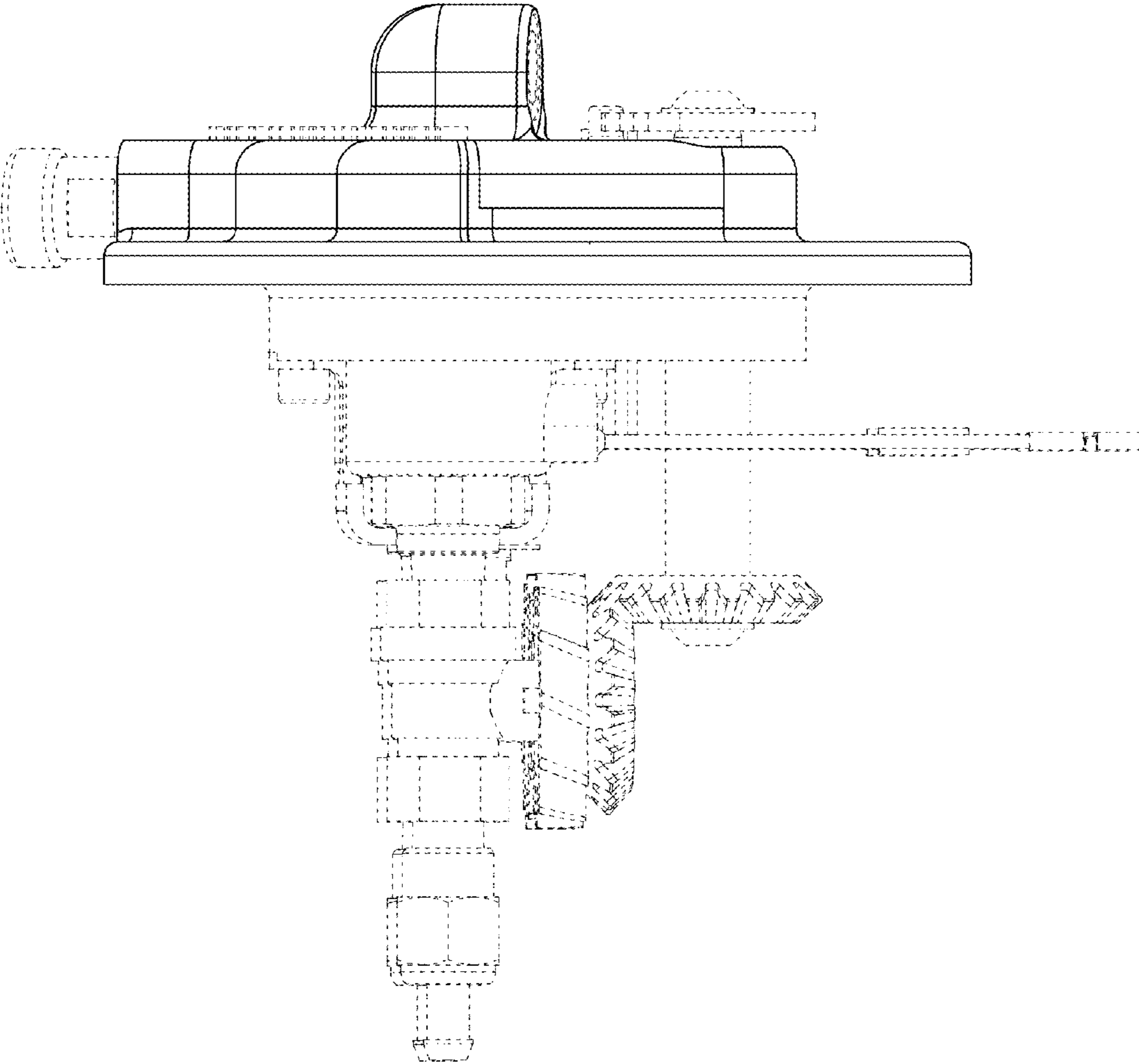


FIG. 7

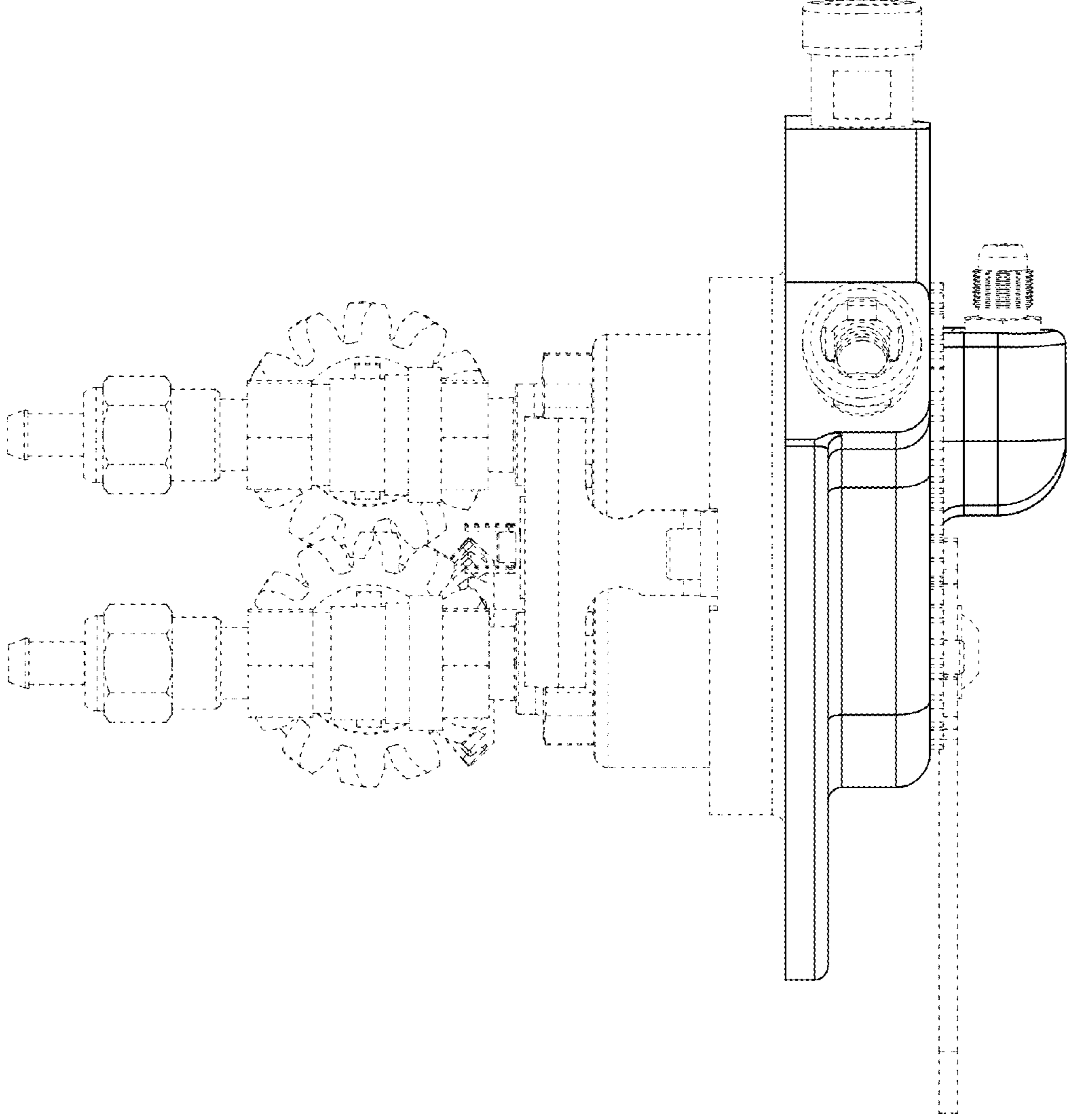


FIG. 8

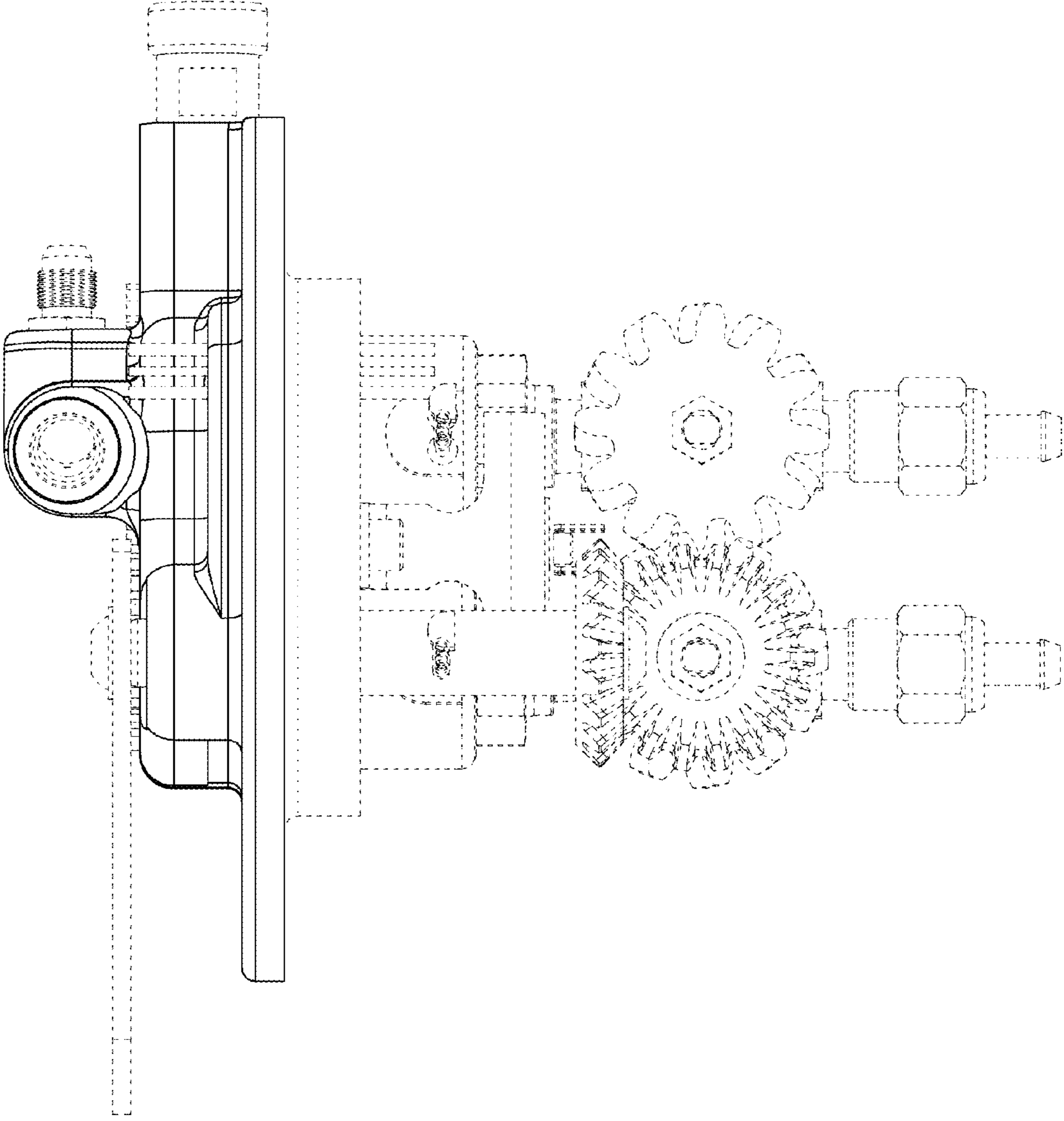


FIG. 9